

Inverter Driven Heat Pump

12,000 BTU Single Zone Floor Mount

Job Name _____
 Location _____
 Engineer _____
 Submitted To _____
 Submitted By _____
 Reference _____

Date _____
 Approval _____
 Construction _____
 Unit No _____
 Drawing No _____

PRODUCT FEATURES

- Auto Changeover
- 24 hr. Timer
- Auto Louver
- Minimum Heat Mode
- Auto Restart
- Wireless Remote control
- Powerful Mode
- Floor Level Heating



MODEL NUMBERS

Indoor Unit	AGU12RLF
Outdoor Unit	AOU12RLFF
System	12RLFF

EFFICIENCIES

SEER	22.7
EER	13.1
HSPF	11.6
COP	11.1

OUTDOOR TEMPERATURE OPERATION RANGE

Cooling	°F(°C)	14 to 115 (-10 to 46)
Heating		-5 to 75 (-21 to 24)

CAPACITIES

	Rated	Min.-Max.	BTU/hW
Cooling			12,000
			3100 - 14,300
Heating			16,000
			3100 - 19,500

LINESET REQUIREMENTS

Connection Method	Flare		
Liquid	in (mm)	Ø 1/4 (Ø 6.35)	
Gas		Ø 3/8 (Ø 9.52)	
Pre-Charge Length		49 (15)	
Minimum Length	ft (m)	10 (3)	
Maximum Length		66 (20)	
Max. Height Diff.		49 (15)	

INDOOR DIMENSIONS & WEIGHT

Net (H x W x D)	in	23-5/8 x 29-1/8 x 7-7/8
	mm	600 x 740 x 200
Gross (H x W x D)	in	27-9/16 x 32-5/16 x 12-3/16
	mm	700 x 820 x 310
Net Weight	lb (kg)	31 (14)
Gross Weight		37 (17)

OUTDOOR DIMENSIONS & WEIGHT

Net (H x W x D)	in	24-7/16 x 31-1/8 x 11-7/16
	mm	620 x 790 x 290
Gross (H x W x D)	in	28-1/16 x 37-3/16 x 15-9/16
	mm	713 x 945 x 395
Net Weight	lb (kg)	84 (38)
Gross Weight		93 (42)

Warranty Information



7 Year Compressor, 5 Year Parts out-of-the-box Warranty



10 Year Compressor, 10 Year Parts Warranty when registered within 60 days of installation in a residence



12 Year Compressor, 12 Year Parts Warranty when registered within 60 days of installation in a residence, and installed by a Fujitsu Elite contractor

ACCESSORIES

UTY-TTRX	3rd Party Thermostat Converter
UTY-RNNUM	Wired Remote
UTY-RVNUM	Wired Remote w/backlight
UTY-RSNUM	Simple Remote
UTY-XWZXZ5	Dry Contact Wire Kit
FJ-IR-WIFI-1NA	Intesis IR WiFi module
FJ-RC-WIFI-1NA	Intesis Wired WiFi module



This system combination is Energy Star qualified



Indoor Unit ETL#: 3170288
 Outdoor Unit ETL#: 91987

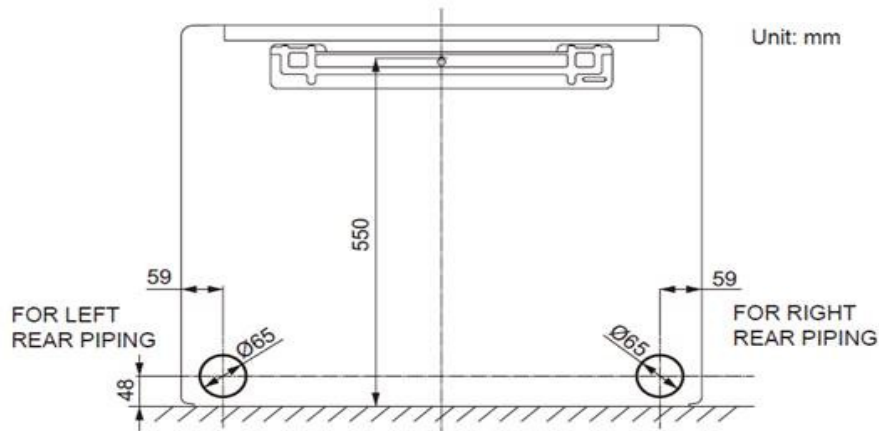
Inverter Driven Heat Pump

12,000 BTU Single Zone Floor Mount

FAN DATA				ELECTRICAL SPECIFICATIONS				
Indoor Unit Airflow Rate	Cooling	High	CFM (m3/h)	Voltage/Frequency/Phase		208 / 230 V ~ 60 Hz		
		Medium		Voltage Range		187 - 253 V		
		Low		Current	Cooling	Rated	A	4.2
		Quiet			Heating	Rated		6.7
	Heating	High	Maximum Operating Current		Cooling	9.3		
		Medium	Starting Current		Heating	10.8		
		Low	MCA		6.7			
		Quiet	Maximum Circuit Breaker		10.8			
Outdoor Unit Airflow Rate		Cooling	1457 (2475)	Input Power		kW	0.91	
Heating		1207 (2050)	Moisture Removal		pints/h (L/h)		3.8 (1.8)	
SOUND PRESSURE				OTHER				
Indoor Unit	Cooling	High	dB (A)	Energy Star		YES		
		Medium		Drain hose		Material	PP + LLDPE	
		Low		Size	in (mm)	Ø9/16(Ø13.8) (I.D.), Ø5/8 to Ø11/16(Ø15.8 to Ø16.7) (O.D.)		
		Quiet				Operation Range		Cooling
	Heating	High	Power Factor		Cooling	%	94	
		Medium	Heating		Heating	%	93	
		Low	Moisture Removal		pints/h (L/h)		3.8 (1.8)	
		Quiet	Energy Star		YES			
Outdoor Unit		Cooling	53	Drain hose		Material	PP + LLDPE	
Heating		52	Size		in (mm)	Ø9/16(Ø13.8) (I.D.), Ø5/8 to Ø11/16(Ø15.8 to Ø16.7) (O.D.)		
REFRIGERANT				Moisture Removal		pints/h (L/h)	3.8 (1.8)	
Type		R410A		Energy Star		YES		
Charge	lb oz	2lbs.10oz.		Drain hose		Material	PP + LLDPE	
	kg	1		Size		in (mm)	Ø9/16(Ø13.8) (I.D.), Ø5/8 to Ø11/16(Ø15.8 to Ø16.7) (O.D.)	
Oil Type		FREOL α68SZ		Operation Range		Cooling	°F (°C)	64 to 90 (18 to 32)
				Heating		%RH	80 or less	
						°F (°C)	60 to 88 (16 to 30)	

BRACKET DATA

For RIGHT REAR or LEFT REAR piping
 (The following figure is a front view of the indoor unit installation location.)



The Fujitsu logo is a worldwide trademark of Fujitsu General Limited. The Halcyon logo and name is a worldwide trademark of Fujitsu General Limited and is a registered trademark in Japan, the USA and other countries or areas. Copyright 2018 Fujitsu General America, Inc. Fujitsu's products are subject to continuous improvements. Fujitsu reserves the right to modify product design, specifications and information in this brochure without notice and without incurring any obligations.

Note: Specifications are based on the following conditions:
 Cooling: Indoor temperature of 80°F (26.7°C) DB/67°F (19.4°C) WB, and outdoor temperature of 95°F (35°C) DB/75°F (23.9°C) WB. Heating: Indoor temperature of 70°F (21.1°C) DB/60°F (15.6°C) WB, and outdoor temperature of 47°F (8.3°C) DB/43°F (6.1°C) WB. Pipe length: 25ft. (7.5m), Height difference: 0ft. (0m) (Outdoor unit - indoor unit).

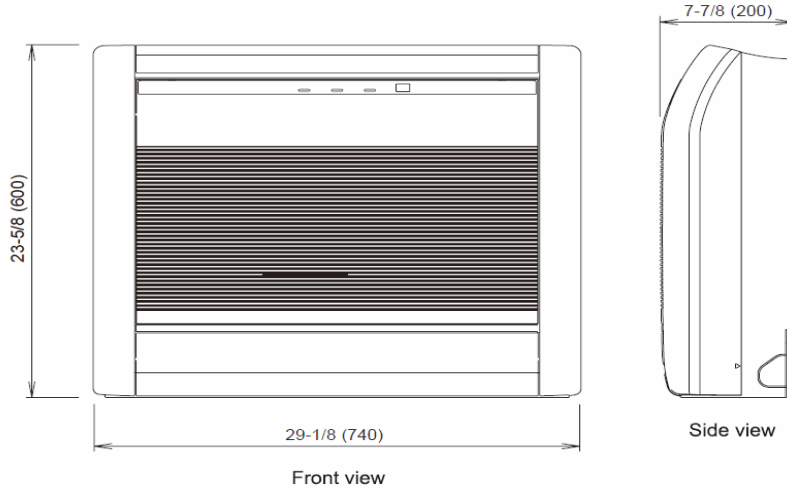
Inverter Driven Heat Pump

12,000 BTU Single Zone Floor Mount

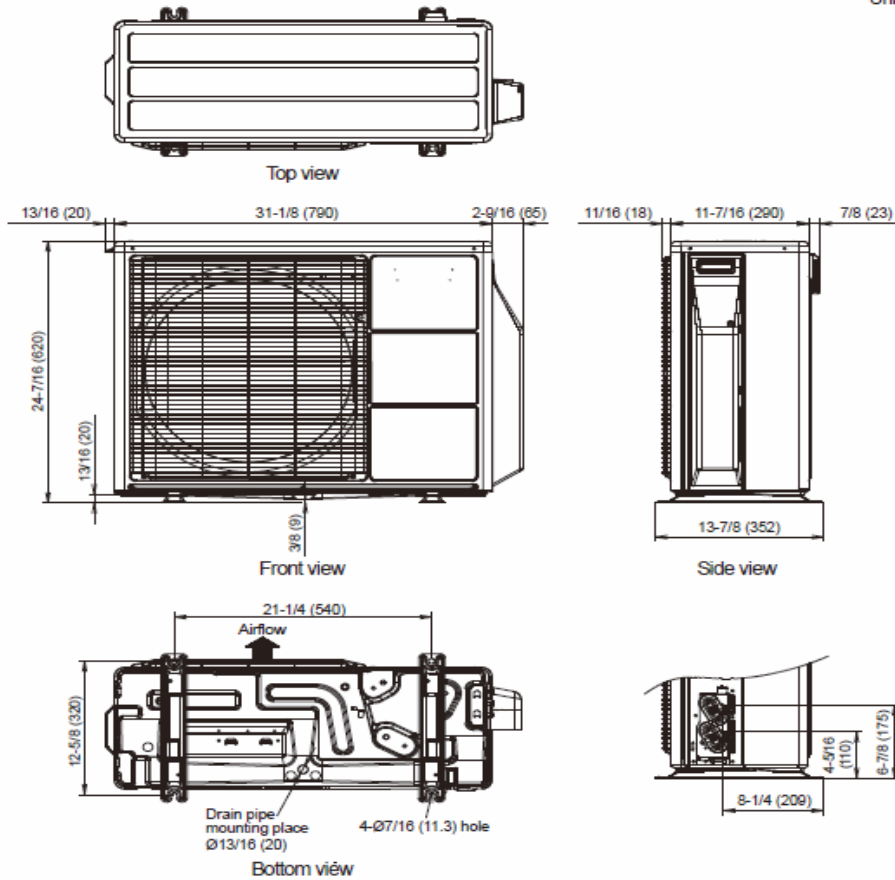
DIMENSIONS

Units: In. (mm)

Unit: in. (mm)



Unit: in. (mm)



The Fujitsu logo is a worldwide trademark of Fujitsu General Limited. The Halcyon logo and name is a worldwide trademark of Fujitsu General Limited and is a registered trademark in Japan, the USA and other countries or areas. Copyright 2018 Fujitsu General America, Inc. Fujitsu's products are subject to continuous improvements. Fujitsu reserves the right to modify product design, specifications and information in this brochure without notice and without incurring any obligations.

Note: Specifications are based on the following conditions:
 Cooling: Indoor temperature of 80°F (26.7°C) DB/67°F (19.4°C) WB, and outdoor temperature of 95°F (35°C) DB/75°F (23.9°C) WB. Heating: Indoor temperature of 70°F (21.1°C) DB/60°F (15.6°C) WB, and outdoor temperature of 47°F (8.3°C) DB/43°F (6.1°C) WB. Pipe length: 25ft. (7.5m), Height difference: 0ft. (0m) (Outdoor unit - indoor unit).