

Inverter Driven Heat Pump

12,000 BTU Single Zone Floor Mount

Job Name _____
 Location _____
 Engineer _____
 Submitted To _____
 Submitted By _____
 Reference _____

Date _____
 Approval _____
 Construction _____
 Unit No _____
 Drawing No _____

PRODUCT FEATURES

- Auto Changeover
- 24 hr. Timer
- Auto Louver
- Minimum Heat Mode
- Auto Restart
- Wireless Remote control
- Powerful Mode
- Floor Level Heating
- Base Pan Heater



MODEL NUMBERS	
Indoor Unit	AGU12RLF
Outdoor Unit	AOU12RLFFH
System	12RLFFH

EFFICIENCIES	
SEER	22.7
EER	13.1
HSPF	11.3
COP	11.1

OUTDOOR TEMPERATURE OPERATION RANGE		
Cooling	*F(*C)	14 to 115 (-10 to 46)
Heating		-15 to 75 (-26 to 24)

CAPACITIES			
Cooling	Rated	BTU/hW	12,000
	Min.-Max.		3100 - 14,300
Heating	Rated		16,000
	Min.-Max.		3100 - 19,500

LINESET REQUIREMENTS			
Connection Method			Flare
Liquid	in (mm)		Ø 1/4 (Ø 6.35)
Gas			Ø 3/8 (Ø 9.52)
Pre-Charge Length			49 (15)
Minimum Length	ft (m)		10 (3)
Maximum Length			66 (20)
Max. Height Diff.			49 (15)

INDOOR DIMENSIONS & WEIGHT			
Net (H x W x D)	in		23-5/8 x 29-1/8 x 7-7/8
	mm		600 x 740 x 200
Gross (H x W x D)	in		27-9/16 x 32-5/16 x 12-3/16
	mm		700 x 820 x 310
Net Weight	lb (kg)		31 (14)
Gross Weight			37 (17)

OUTDOOR DIMENSIONS & WEIGHT			
Net (H x W x D)	in		24-7/16 x 31-1/8 x 11-7/16
	mm		620 x 790 x 290
Gross (H x W x D)	in		28-1/16 x 37-3/16 x 15-9/16
	mm		713 x 945 x 395
Net Weight	lb (kg)		86 (39)
Gross Weight			95 (43)

Warranty Information



7 Year Compressor, 5 Year Parts out-of-the-box Warranty



10 Year Compressor, 10 Year Parts Warranty when registered within 60 days of installation in a residence



12 Year Compressor, 12 Year Parts Warranty when registered within 60 days of installation in a residence, and installed by a Fujitsu Elite contractor

ACCESSORIES

UTY-TTRX	3rd Party Thermostat Converter
UTY-RNNUM	Wired Remote
UTY-RVNUM	Wired Remote w/backlight
UTY-RSNUM	Simple Remote
UTY-XWZXZ5	Dry Contact Wire Kit
FJ-IR-WIFI-1NA	Intesis IR WiFi module
FJ-RC-WIFI-1NA	Intesis Wired WiFi module



This system combination is Energy Star qualified



Indoor Unit ETL#: 3170288
 Outdoor Unit ETL#: 91987

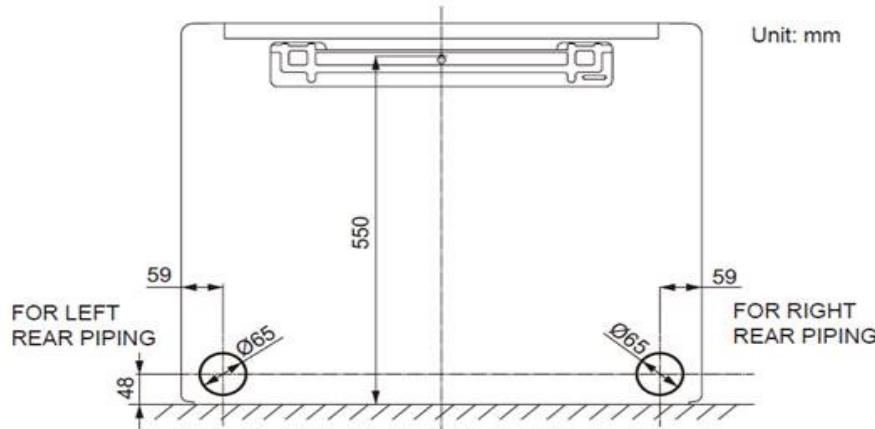
Inverter Driven Heat Pump

12,000 BTU Single Zone Floor Mount

FAN DATA				ELECTRICAL SPECIFICATIONS					
Indoor Unit Airflow Rate	Cooling	High	CFM (m3/h)	336 (570)	Voltage/Frequency/Phase			208 / 230 V ~ 60 Hz	
		Medium		271 (460)	Voltage Range			187 - 253 V	
		Low		212 (360)	Current	Cooling	Rated	A	4.2
		Quiet		159 (270)		Heating	Rated		6.7
	Heating	High		353 (600)	Maximum Operating Current		Cooling		10.3
		Medium		283 (480)			Heating		11.8
		Low		218 (370)	Starting Current			6.7	
		Quiet		159 (270)	MCA			11.8	
Outdoor Unit Airflow Rate	Cooling		1457 (2475)	Maximum Circuit Breaker			15		
	Heating		1207 (2050)	Input Power	Cooling	Rated	kW	0.91	
					Heating	Min.-Max.		0.20 - 2.05	
Indoor Unit	Cooling	High	dB (A)	44	Power Factor	Cooling	%	94	
		Medium		38		Heating	Rated	1.44	
		Low		31	OTHER		Min.-Max.	0.20 - 2.62	
		Quiet		23	Moisture Removal		pints/h (L/h)	3.8 (1.8)	
Outdoor Unit	Heating	High		43	Energy Star		YES		
		Medium		37	Drain hose		Material	PP + LLDPE	
		Low		29	Size	in (mm)	Ø9/16(Ø13.8) (I.D.), Ø5/8 to Ø11/16(Ø15.8 to Ø16.7) (O.D.)		
		Quiet		23			Operation Range	Cooling	°F (°C)
				%RH	80 or less				
					Heating	°F (°C)	60 to 88 (16 to 30)		
REFRIGERANT									
Type				R410A					
Charge	lb oz			2lbs.10oz.					
	kg			1					
Oil Type				FREOL α68SZ					

BRACKET DATA

For RIGHT REAR or LEFT REAR piping
 (The following figure is a front view of the indoor unit installation location.)



The Fujitsu logo is a worldwide trademark of Fujitsu General Limited. The Halcyon logo and name is a worldwide trademark of Fujitsu General Limited and is a registered trademark in Japan, the USA and other countries or areas. Copyright 2018 Fujitsu General America, Inc. Fujitsu's products are subject to continuous improvements. Fujitsu reserves the right to modify product design, specifications and information in this brochure without notice and without incurring any obligations.

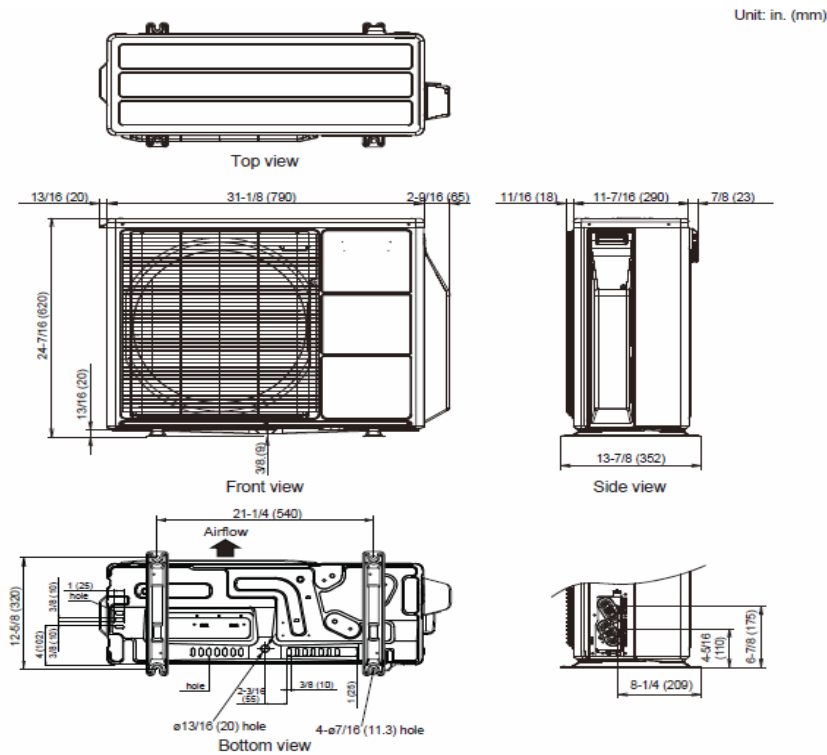
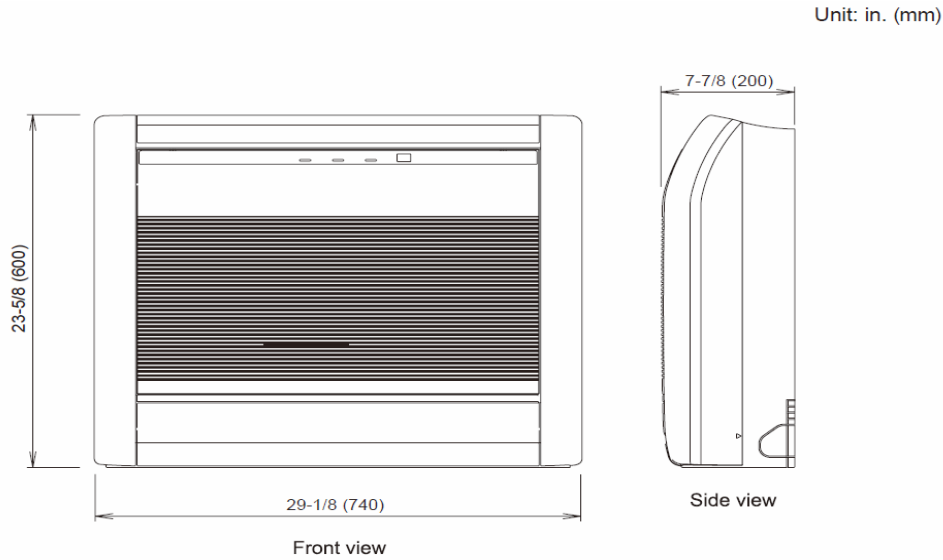
Note: Specifications are based on the following conditions:
 Cooling: Indoor temperature of 80°F (26.7°C) DB/67°F (19.4°C) WB, and outdoor temperature of 95°F (35°C) DB/75°F (23.9°C) WB. Heating: Indoor temperature of 70°F (21.1°C) DB/60°F (15.6°C) WB, and outdoor temperature of 47°F (8.3°C) DB/43°F (6.1°C) WB. Pipe length: 25ft. (7.5m), Height difference: 0ft. (0m) (Outdoor unit - indoor unit).

Inverter Driven Heat Pump

12,000 BTU Single Zone Floor Mount

DIMENSIONS

Units: In. (mm)



The Fujitsu logo is a worldwide trademark of Fujitsu General Limited. The Halcyon logo and name is a worldwide trademark of Fujitsu General Limited and is a registered trademark in Japan, the USA and other countries or areas. Copyright 2018 Fujitsu General America, Inc. Fujitsu's products are subject to continuous improvements. Fujitsu reserves the right to modify product design, specifications and information in this brochure without notice and without incurring any obligations.

Note: Specifications are based on the following conditions:
 Cooling: Indoor temperature of 80°F (26.7°C) DB/67°F (19.4°C) WB, and outdoor temperature of 95°F (35°C) DB/75°F (23.9°C) WB. Heating: Indoor temperature of 70°F (21.1°C) DB/60°F (15.6°C) WB, and outdoor temperature of 47°F (8.3°C) DB/43°F (6.1°C) WB. Pipe length: 25ft. (7.5m), Height difference: 0ft. (0m) (Outdoor unit - indoor unit).