

**Inverter Driven Heat Pump**

**15,000 BTU Single Zone Floor Mount**

Job Name \_\_\_\_\_  
 Location \_\_\_\_\_  
 Engineer \_\_\_\_\_  
 Submitted To \_\_\_\_\_  
 Submitted By \_\_\_\_\_  
 Reference \_\_\_\_\_

Date \_\_\_\_\_  
 Approval \_\_\_\_\_  
 Construction \_\_\_\_\_  
 Unit No \_\_\_\_\_  
 Drawing No \_\_\_\_\_

**PRODUCT FEATURES**

- Auto Changeover
- 24 hr. Timer
- Auto Louver
- Minimum Heat Mode
- Auto Restart
- Wireless Remote control
- Powerful Mode
- Floor Level Heating



MODEL NUMBERS	
Indoor Unit	AGU15RLF
Outdoor Unit	AOU15RLFF
System	15RLFF

EFFICIENCIES	
SEER	20.3
EER	12.5
HSPF	11.2
COP	11.3

OUTDOOR TEMPERATURE OPERATION RANGE		
Cooling	*F(*C)	14 to 115 (-10 to 46)
Heating		-5 to 75 (-21 to 24)

CAPACITIES			
Cooling	Rated	BTU/hW	14,200
	Min.-Max.		3100 - 17,700
Heating	Rated		18,000
	Min.-Max.		3100 - 20,800

LINESET REQUIREMENTS			
Connection Method			Flare
Liquid	in (mm)		Ø 1/4 (Ø 6.35)
			Ø 1/2 (Ø 12.7)
Pre-Charge Length	ft (m)		49 (15)
Minimum Length			10 (3)
Maximum Length			66 (20)
Max. Height Diff.			49 (15)

INDOOR DIMENSIONS & WEIGHT			
Net (H x W x D)	in	23-5/8 x 29-1/8 x 7-7/8	
	mm	600 x 740 x 200	
Gross (H x W x D)	in	27-9/16 x 32-5/16 x 12-3/16	
	mm	700 x 820 x 310	
Net Weight	lb (kg)	31 (14)	
Gross Weight		37 (17)	

OUTDOOR DIMENSIONS & WEIGHT			
Net (H x W x D)	in	24-7/16 x 31-1/8 x 11-7/16	
	mm	620 x 790 x 290	
Gross (H x W x D)	in	28-1/16 x 37-3/16 x 15-9/16	
	mm	713 x 945 x 395	
Net Weight	lb (kg)	86 (39)	
Gross Weight		95 (43)	

**Warranty Information**



7 Year Compressor, 5 Year Parts out-of-the-box Warranty



10 Year Compressor, 10 Year Parts Warranty when registered within 60 days of installation in a residence



12 Year Compressor, 12 Year Parts Warranty when registered within 60 days of installation in a residence, and installed by a Fujitsu Elite contractor

**ACCESSORIES**

UTY-TTRX	3rd Party Thermostat Converter
UTY-RNNUM	Wired Remote
UTY-RVNUM	Wired Remote w/backlight
UTY-RSNUM	Simple Remote
UTY-XWZXZ5	Dry Contact Wire Kit
FJ-IR-WIFI-1NA	Intesis IR WiFi module
FJ-RC-WIFI-1NA	Intesis Wired WiFi module



This system combination is Energy Star qualified



Indoor Unit ETL#: 3170288  
 Outdoor Unit ETL#: 91987

Effective Date: 10/26/2018 Version 15RLFF -2018A

Due to continuous product improvements, specifications are subject to change without notice. Please log in to the Fujitsu Portal for the most up-to-date documentation <https://portal.fujitsugeneral.com>

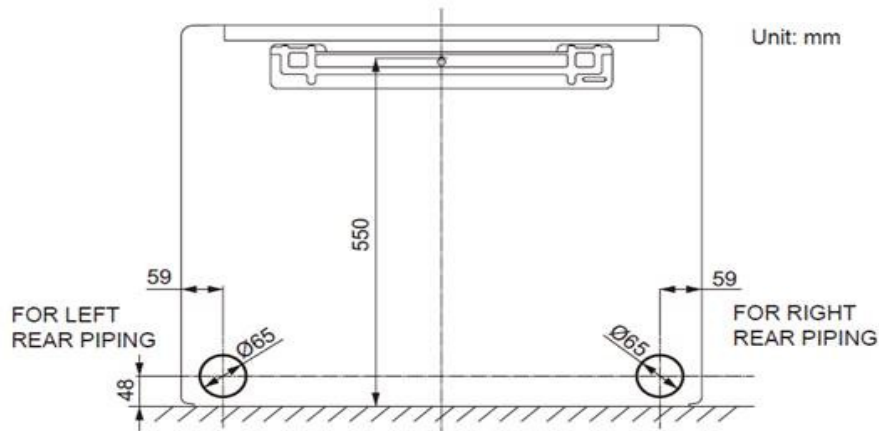
**Inverter Driven Heat Pump**

**15,000 BTU Single Zone Floor Mount**

FAN DATA				ELECTRICAL SPECIFICATIONS				
Indoor Unit Airflow Rate	Cooling	High	CFM (m3/h)	Voltage/Frequency/Phase		208 / 230 V ~ 60 Hz		
		Medium		Voltage Range		187 - 253 V		
		Low		Current	Cooling	Rated	A	5.1
		Quiet			Heating	Rated		7
	Heating	High	Maximum Operating Current		Cooling	9.8		
		Medium	Starting Current		Heating	13.8		
		Low	MCA		7			
		Quiet	Maximum Circuit Breaker		13.8			
Outdoor Unit Airflow Rate	Cooling	1457 (2475)	Input Power		kW	1.13		
Heating	1386 (2355)	Cooling	Min.-Max.	0.18 - 2.16				
<b>SOUND PRESSURE</b>				Heating		Rated	1.58	
Indoor Unit	Cooling	High	dB (A)	Power Factor		%	96	
		Medium		Other			98	
		Low		Moisture Removal		pints/h (L/h)	4.4 (2.1)	
		Quiet		Energy Star		YES		
	Heating	High	Drain hose		Material	PP + LLDPE		
		Medium	Size		in (mm)	Ø9/16(Ø13.8) (I.D.), Ø5/8 to Ø11/16(Ø15.8 to Ø16.7) (O.D.)		
		Low	Operation Range		Cooling	°F (°C)	64 to 90 (18 to 32)	
		Quiet	Heating		%RH	80 or less		
Outdoor Unit	Cooling	54	Heating		°F (°C)	60 to 88 (16 to 30)		
Heating	54							
<b>REFRIGERANT</b>								
Type	R410A							
Charge	lb oz	2lbs. 12oz.						
	kg	1						
Oil Type	FREOL α68SZ							

**BRACKET DATA**

**For RIGHT REAR or LEFT REAR piping**  
(The following figure is a front view of the indoor unit installation location.)



The Fujitsu logo is a worldwide trademark of Fujitsu General Limited. The Halcyon logo and name is a worldwide trademark of Fujitsu General Limited and is a registered trademark in Japan, the USA and other countries or areas. Copyright 2018 Fujitsu General America, Inc. Fujitsu's products are subject to continuous improvements. Fujitsu reserves the right to modify product design, specifications and information in this brochure without notice and without incurring any obligations.

Note: Specifications are based on the following conditions:  
Cooling: Indoor temperature of 80°F (26.7°C) DB/67°F (19.4°C) WB, and outdoor temperature of 95°F (35°C) DB/75°F (23.9°C) WB. Heating: Indoor temperature of 70°F (21.1°C) DB/60°F (15.6°C) WB, and outdoor temperature of 47°F (8.3°C) DB/43°F (6.1°C) WB. Pipe length: 25ft. (7.5m), Height difference: 0ft. (0m) (Outdoor unit - indoor unit).

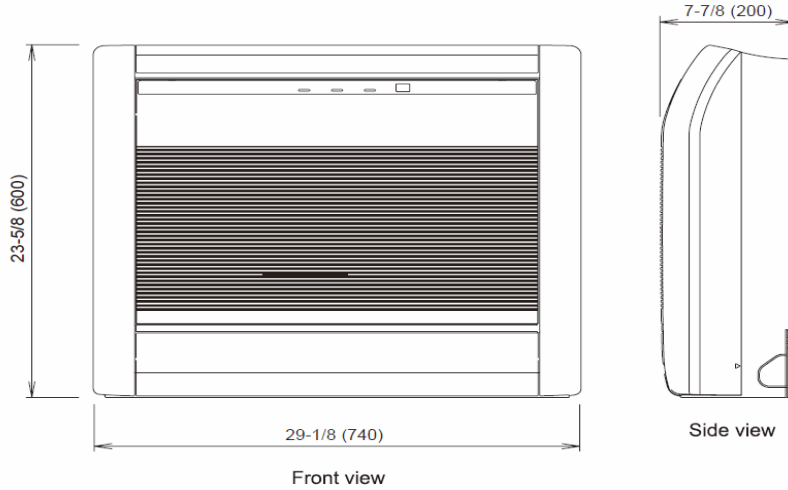
Inverter Driven Heat Pump

15,000 BTU Single Zone Floor Mount

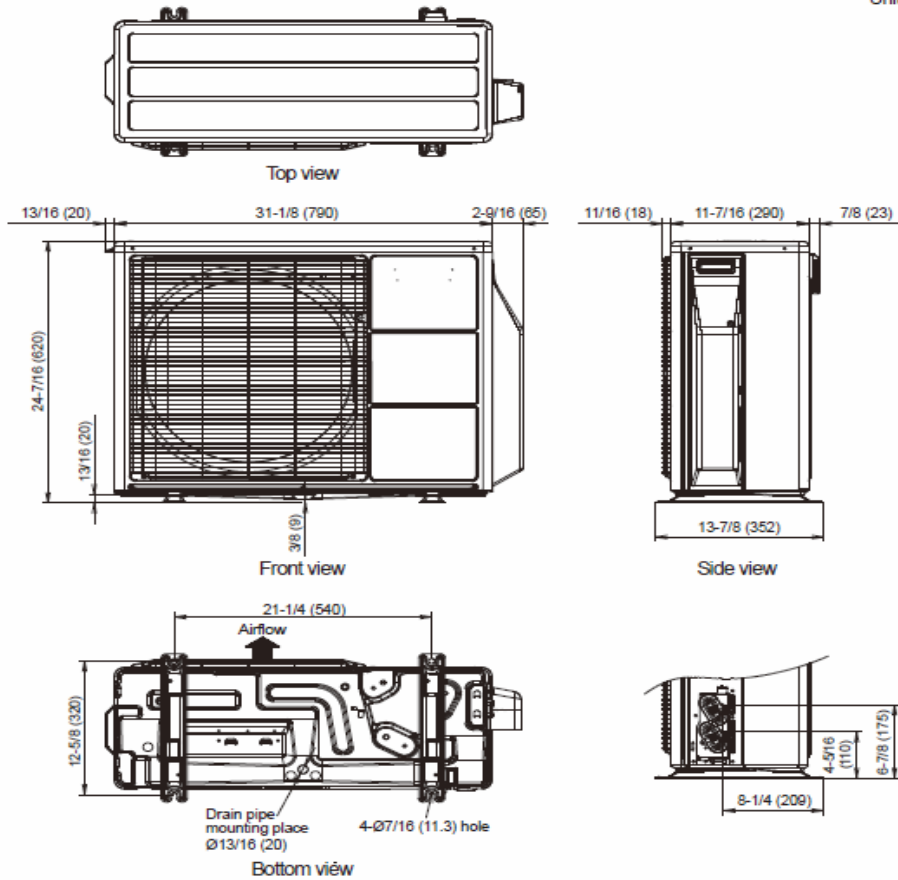
DIMENSIONS

Units: In. (mm)

Unit: in. (mm)



Unit: in. (mm)



The Fujitsu logo is a worldwide trademark of Fujitsu General Limited. The Halcyon logo and name is a worldwide trademark of Fujitsu General Limited and is a registered trademark in Japan, the USA and other countries or areas. Copyright 2018 Fujitsu General America, Inc. Fujitsu's products are subject to continuous improvements. Fujitsu reserves the right to modify product design, specifications and information in this brochure without notice and without incurring any obligations.

Note: Specifications are based on the following conditions:  
 Cooling: Indoor temperature of 80°F (26.7°C) DB/67°F (19.4°C) WB, and outdoor temperature of 95°F (35°C) DB/75°F (23.9°C) WB. Heating: Indoor temperature of 70°F (21.1°C) DB/60°F (15.6°C) WB, and outdoor temperature of 47°F (8.3°C) DB/43°F (6.1°C) WB. Pipe length: 25ft. (7.5m), Height difference: 0ft. (0m) (Outdoor unit - indoor unit).