

Inverter Driven Heat Pump

15,000 BTU Single Zone Floor Mount

Job Name _____
 Location _____
 Engineer _____
 Submitted To _____
 Submitted By _____
 Reference _____

Date _____
 Approval _____
 Construction _____
 Unit No _____
 Drawing No _____

PRODUCT FEATURES

- Auto Changeover
- 24 hr. Timer
- Auto Louver
- Minimum Heat Mode
- Auto Restart
- Wireless Remote control
- Powerful Mode
- Floor Level Heating
- Base Pan Heater



MODEL NUMBERS	
Indoor Unit	AGU15RLF
Outdoor Unit	AOU15RLFFH
System	15RLFFH

EFFICIENCIES	
SEER	20.3
EER	12.5
HSPF	11.2
COP	11.3

OUTDOOR TEMPERATURE OPERATION RANGE		
Cooling	°F(°C)	14 to 115 (-10 to 46)
Heating		-15 to 75 (-26 to 24)

CAPACITIES			
Cooling	Rated	BTU/hW	14,200
	Min.-Max.		3100 - 17700
Heating	Rated		18,000
	Min.-Max.		3100 - 20800

LINESET REQUIREMENTS			
Connection Method			Flare
Liquid	in (mm)	Ø1/4 (Ø6.35)	
		Ø1/2 (12.70)	
Pre-Charge Length	ft (m)	49 (15)	
		10 (3)	
		66 (20)	
		49 (15)	

INDOOR DIMENSIONS & WEIGHT			
Net (H x W x D)	in	23-5/8 x 29-1/8 x 7-7/8	
	mm	600 x 740 x 200	
Gross (H x W x D)	in	27-9/16 x 32-5/16 x 12-3/16	
	mm	700 x 820 x 310	
Net Weight	lb (kg)	31 (14)	
Gross Weight		37 (17)	

OUTDOOR DIMENSIONS & WEIGHT			
Net (H x W x D)	in	24-7/16 x 31-1/8 x 11-7/16	
	mm	620 x 790 x 290	
Gross (H x W x D)	in	28-1/16 x 37-3/16 x 15-9/16	
	mm	713 x 945 x 395	
Net Weight	lb (kg)	88 (40)	
Gross Weight		95 (43)	

Warranty Information



7 Year Compressor, 5 Year Parts out-of-the-box Warranty



10 Year Compressor, 10 Year Parts Warranty when registered within 60 days of installation in a residence



12 Year Compressor, 12 Year Parts Warranty when registered within 60 days of installation in a residence, and installed by a Fujitsu Elite contractor

ACCESSORIES

UTY-TTRX	3rd Party Thermostat Converter
UTY-RNNUM	Wired Remote
UTY-RVNUM	Wired Remote w/backlight
UTY-RSNUM	Simple Remote
UTY-XWZXZ5	Dry Contact Wire Kit
FJ-IR-WIFI-1NA	Intesis IR WiFi module
FJ-RC-WIFI-1NA	Intesis Wired WiFi module



This system combination is Energy Star qualified



Indoor Unit ETL#: 3170288
 Outdoor Unit ETL#: 91987

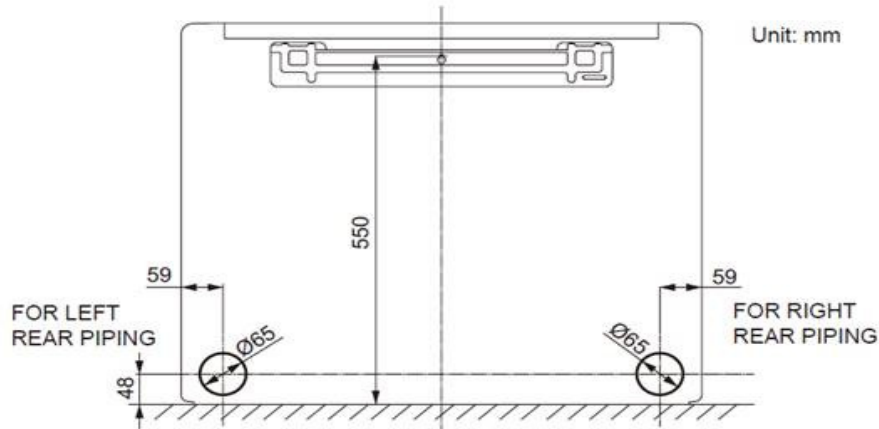
Inverter Driven Heat Pump

15,000 BTU Single Zone Floor Mount

FAN DATA				ELECTRICAL SPECIFICATIONS					
Indoor Unit Airflow Rate	Cooling	High	CFM (m3/h)	383 (650)	Voltage/Frequency/Phase			208 / 230 V ~ 60 Hz	
		Medium		306 (520)	Voltage Range			187 - 253 V	
		Low		235 (400)	Current	Cooling	Rated	A	5.1
		Quiet		159 (270)		Heating	Rated		7
	Heating	High	383 (650)	Maximum Operating Current		Cooling	9.8		
		Medium	306 (520)			Heating	13.8		
		Low	230 (390)	Starting Current			7		
		Quiet	159 (270)	MCA			14.8		
Outdoor Unit Airflow Rate	Cooling		1457 (2475)	Maximum Circuit Breaker			20		
	Heating		1386 (2355)	Input Power	Cooling	Rated	kW	1.13	
					Min.-Max.			0.18 - 2.16	
					Heating	Rated		1.58	
					Min.-Max.			0.18 - 3.30	
					Power Factor	Cooling	%	96	
						Heating	%	98	
SOUND PRESSURE				OTHER					
Indoor Unit	Cooling	High	dB (A)	44	Moisture Removal		pints/h (L/h)	2.1 (4.4)	
		Medium		38	Energy Star			YES	
		Low		31	Drain hose		Material	PP + LLDPE	
		Quiet		23	Size	in (mm)	Ø9/16(Ø13.8) (I.D.), Ø5/8 to Ø11/16(Ø15.8 to Ø16.7) (O.D.)		
	High	43	Operation Range	Cooling			°F (°C)	64 to 90 (18 to 32)	
	Heating	Medium		37		%RH	80 or less		
Low		29		°F (°C)	60 to 88 (16 to 30)				
Quiet		23							
Outdoor Unit	Cooling		54						
	Heating		54						
REFRIGERANT									
Type	R410A								
Charge	lb oz	2lbs. 12oz.							
	kg	1							
Oil Type	FREOL α68SZ								

BRACKET DATA

For RIGHT REAR or LEFT REAR piping
 (The following figure is a front view of the indoor unit installation location.)



The Fujitsu logo is a worldwide trademark of Fujitsu General Limited. The Halcyon logo and name is a worldwide trademark of Fujitsu General Limited and is a registered trademark in Japan, the USA and other countries or areas. Copyright 2018 Fujitsu General America, Inc. Fujitsu's products are subject to continuous improvements. Fujitsu reserves the right to modify product design, specifications and information in this brochure without notice and without incurring any obligations.

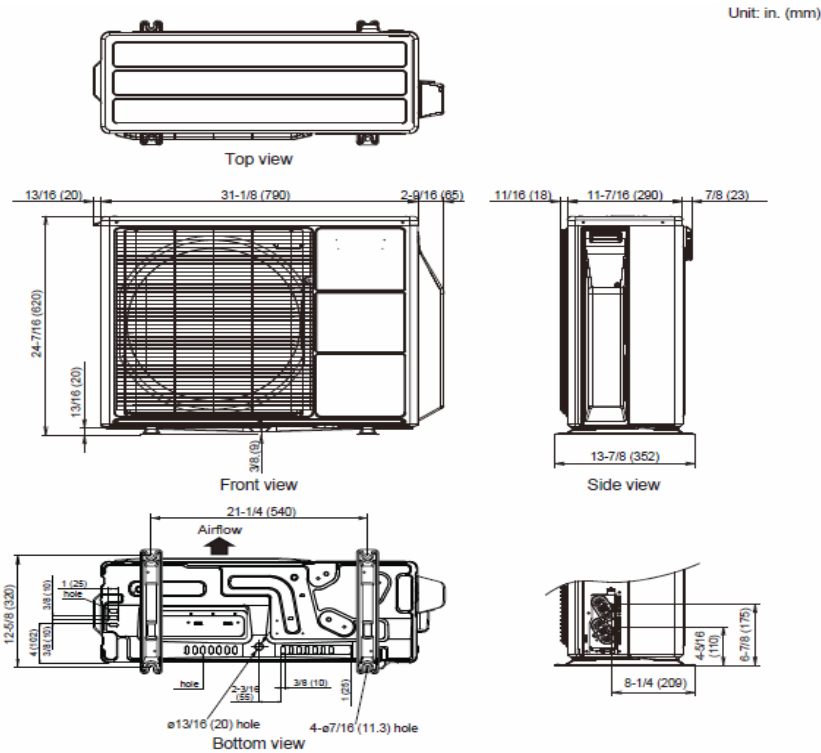
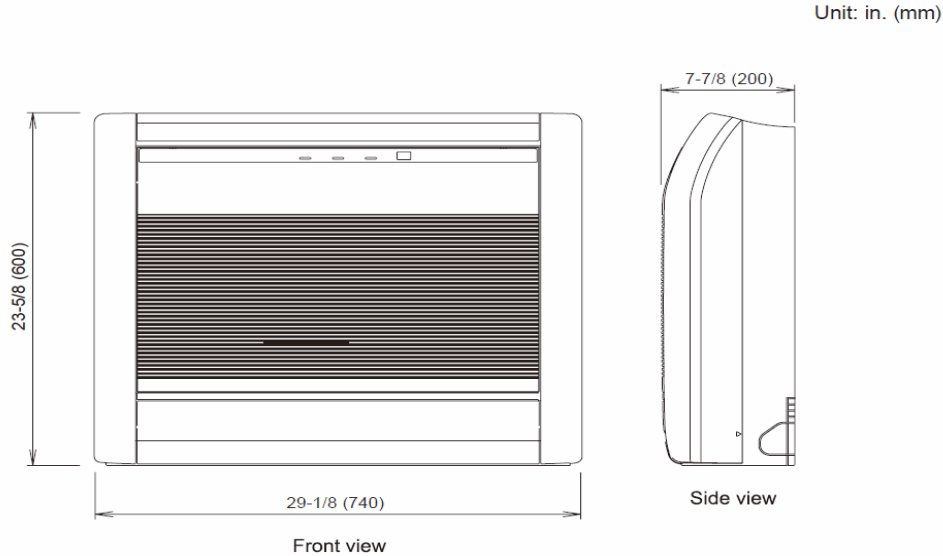
Note: Specifications are based on the following conditions:
 Cooling: Indoor temperature of 80°F (26.7°C) DB/67°F (19.4°C) WB, and outdoor temperature of 95°F (35°C) DB/75°F (23.9°C) WB. Heating: Indoor temperature of 70°F (21.1°C) DB/60°F (15.6°C) WB, and outdoor temperature of 47°F (8.3°C) DB/43°F (6.1°C) WB. Pipe length: 25ft. (7.5m), Height difference: 0ft. (0m) (Outdoor unit - indoor unit).

Inverter Driven Heat Pump

15,000 BTU Single Zone Floor Mount

DIMENSIONS

Units: In. (mm)



The Fujitsu logo is a worldwide trademark of Fujitsu General Limited. The Halcyon logo and name is a worldwide trademark of Fujitsu General Limited and is a registered trademark in Japan, the USA and other countries or areas. Copyright 2018 Fujitsu General America, Inc. Fujitsu's products are subject to continuous improvements. Fujitsu reserves the right to modify product design, specifications and information in this brochure without notice and without incurring any obligations.

Note: Specifications are based on the following conditions:
 Cooling: Indoor temperature of 80°F (26.7°C) DB/67°F (19.4°C) WB, and outdoor temperature of 95°F (35°C) DB/75°F (23.9°C) WB. Heating: Indoor temperature of 70°F (21.1°C) DB/60°F (15.6°C) WB, and outdoor temperature of 47°F (8.3°C) DB/43°F (6.1°C) WB. Pipe length: 25ft. (7.5m), Height difference: 0ft. (0m) (Outdoor unit - indoor unit).