

Submittal Data: AGU12RLF Inverter Driven Heat Pump **12,000 BTU Floor Type Evaporator**

Job Name: _____ Date: _____

Location: _____ Approval: _____

Engineer: _____ Construction: _____

Submitted to: _____ Unit #: _____

Submitted by: _____ Drawing #: _____

Reference: _____

General Features

- Refrigerant Type R410A.
- Wired and wireless remote controllers
- Double swing automatic
- Automatic airflow adjustment
- Weekly timer
- Removable open panel
- Powerful mode
- Program timer
- 5 years standard parts warranty
- Eligible for 10 year or 12 year parts warranty. See warranty statement for details.

Model Information

Indoor..... AGU12RLF
 Condenser Compatibility..... AOU12RLFF, AOU12RLFFH
 AOU18RLXFZ, AOU18RLXFZH,
 AOU24RLXFZ, AOU24RLXFZH,
 AOU36RLXFZ, AOU36RLXFZ1, AOU36RLXFZH,
 AOU45RLXFZ, AOU48RLXFZ1

Electrical

..... 208/230V AC 1ph-60Hz
 Available Voltage Range..... 208/230 +/- 10%
 Minimum Circuit Ampacity..... 0.36 A
 Running Current..... 0.18 A
 Input Power..... 20 W

Capacity

Nominal Cooling..... 12,000 Btu/h

Fan Motor

Type: DC Cross flow fan x 2
 Motor Output..... 16 x 2
 Fan Motor Protection..... off: 302 ± 27°F (150 ± 15°C)
 on: 248 ± 27°F (120 ± 15°C)

Airflow Rate

Cooling (High / Medium / Low / Quiet)
 353 CFM (600 m3/h) / 288 CFM (490 m3/h) / 224 CFM (380 m3/h) / 159 CFM (270 m3/h)
 Heating (High / Medium / Low / Quiet)
 353 CFM (600 m3/h) / 300 CFM (510 m3/h) / 241 CFM (410 m3/h) / 159 CFM (270 m3/h)

Heat Exchanger

Dimensions
 (H x W x D) in. (mm) 14-7/8 x 21-5/8 x 1-1/16 (378x550x26.6)
 Fin Pitch..... 21 FPI
 Rows x Stages..... 2 x 18
 Pipe Type (Material)..... Copper
 Fin Type..... Aluminum



Temperature Setting Range

Cooling..... 64°F - 88°F (18°C - 30°C)
 Heating..... 60°F - 88°F (16°C - 30°C)

Enclosure

Material..... Polystyrene
 Color..... White (approximate color of Munsell N9.25)

Sound Pressure Level

Cooling
 High/Medium/Low/Quiet..... 42 dB (A) / 36 dB (A) / 30 dB (A) / 22 dB (A)
 Heating
 High/Medium/Low/Quiet..... 42 dB (A) / 38 dB (A) / 32 dB (A) / 22 dB (A)

Dimensions

H x W x D
 in. (mm)..... 23-5/8 x 29-1/8 x 7-7/8 (600x740x200)

Connection Pipe

Liquid..... 1/4" in. (6.35 mm)
 Gas..... 3/8" in. (9.52 mm)
 Method (Liquid/Gas)..... Flare
 Drain hose
 Material..... PVC
 Size..... 9/16" (13.8 mm) (I.D.) 5/8" to 11/16" (15.8mm to 16.7mm) (O.D.)

Weight

Net..... 31 lbs. (14 kg)
 Gross..... 37 lbs. (17 kg)

Accessories

Wired Remote Controller..... UTY-RNNUM
 Simple Remote Controller..... UTY-RSNUM
 Dry Contact Wire Kit..... UTY-XWZXZ5

Intertek®ETL Number

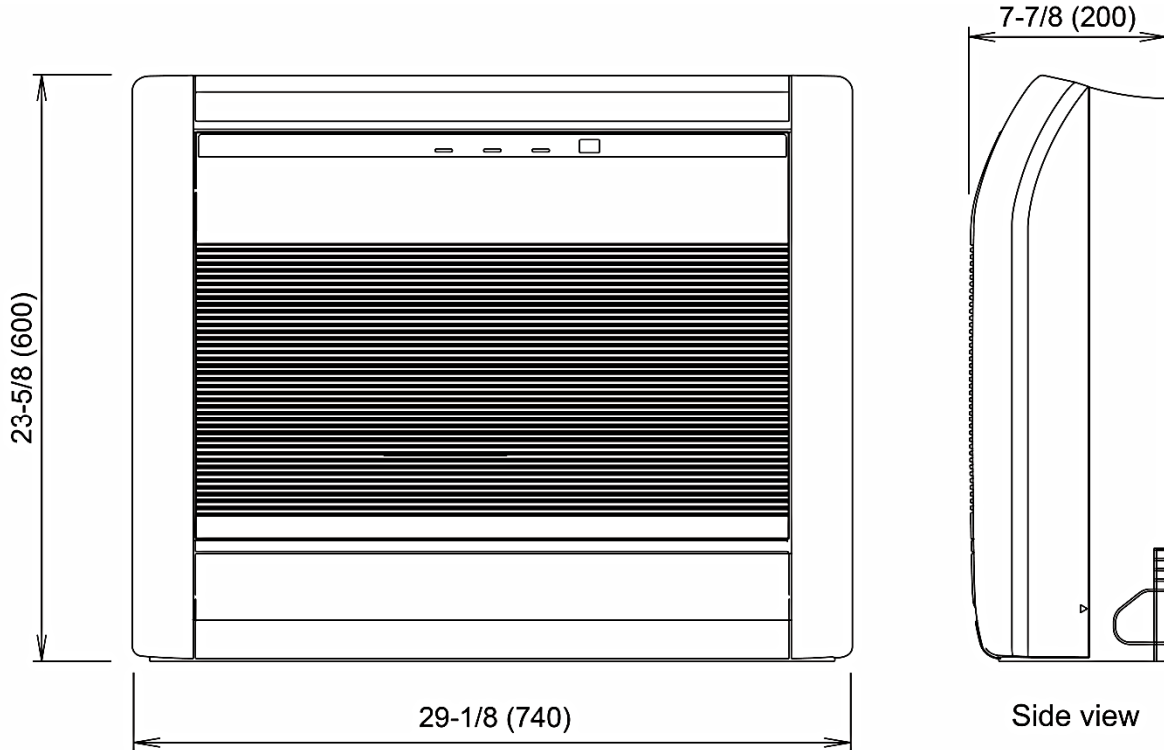
AGU12RLF..... 91986

Note: Specifications are based on the following conditions:
 Cooling: Indoor temperature of 80°F (26.7°C) DB/67°F (19.44°C) WB, and outdoor temperature of 95°F (35°C) DB/75°F (23.9°C) WB.
 Heating: Indoor temperature of 70°F (21.11°C) DB/59°F (15°C) WB, and outdoor temperature of 47°F (8.33°C) DB/43°F (6.11°C) WB.
 Pipe length: 24ft. 7in. (7.5m), Height difference: 0ft. (0m) (Outdoor unit – indoor unit)



Dimensions: AGU12RLF

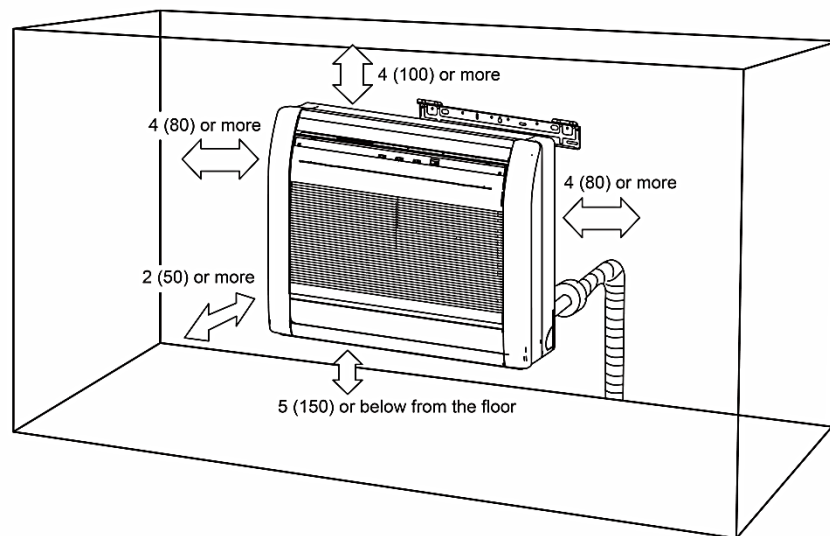
[Unit: in. (mm)]



Front view

Side view

■ INSTALLATION PLACE



The Fujitsu logo is a registered trademark of Fujitsu Limited.
 The Halcyon logo and name is a trademark of Fujitsu General America, Inc. Copyright 2016
 Fujitsu General America, Inc.
 Fujitsu's products are subject to continuous improvements. Fujitsu reserves the right to
 modify product design, specifications and information in this brochure without notice and
 without incurring any obligations.