

Job Name: \_\_\_\_\_  
 Location: \_\_\_\_\_  
 Engineer: \_\_\_\_\_  
 Submitted to: \_\_\_\_\_  
 Submitted by: \_\_\_\_\_  
 Reference: \_\_\_\_\_

Date: \_\_\_\_\_  
 Approval: \_\_\_\_\_  
 Construction: \_\_\_\_\_  
 Unit #: \_\_\_\_\_  
 Drawing #: \_\_\_\_\_

**General Features**

- Refrigerant Type R410A.
- Wired and wireless remote controllers
- Double swing automatic
- Automatic airflow adjustment
- Weekly timer
- Removable open panel
- Powerful mode
- Program timer
- 5 years standard parts warranty
- Eligible for 10 year or 12 year parts warranty. See warranty statement for details.

**Model Information**

Indoor..... AGU9RLF  
 Condenser Compatibility..... AOU9RLFF, AOU9RLFFH  
 AOU18RLXFZ, AOU18RLXFZH,  
 AOU24RLXFZ, AOU24RLXFZH  
 AOU36RLXFZ, AOU36RLXFZ1, AOU36RLXFZH  
 AOU45RLXFZ, AOU48RLXFZ1

**Electrical**

..... 208/230V AC 1ph-60Hz  
 Available Voltage Range..... 208/230 +/- 10%  
 Minimum Circuit Ampacity..... 0.36 A  
 Running Current..... 0.15A  
 Input Power..... 16 W

**Capacity**

Nominal Cooling..... 9,000 Btu/h

**Fan Motor**

Type: DC ..... Cross flow fan x 2  
 Motor Output..... 16 x 2  
 Fan Motor Protection..... off: 302 ± 27°F (150 ± 15°C)  
 on: 248 ± 27°F (120 ± 15°C)

**Airflow Rate**

Cooling (High / Medium / Low / Quiet)  
 336 CFM (570 m3/h) / 271 CFM (460 m3/h) / 212 CFM (360 m3/h) / 159 CFM (270 m3/h)  
 Heating (High / Medium / Low / Quiet)  
 353 CFM (600 m3/h) / 283 CFM (480 m3/h) / 218 CFM (370 m3/h) / 159 CFM (270 m3/h)

**Heat Exchanger**

Dimensions  
 (H x W x D) in. (mm) ..... 14-7/8 x 21-5/8 x 1-1/16 (378x550x26.6)  
 Fin Pitch..... 21 FPI  
 Rows x Stages..... 2 x 18  
 Pipe Type (Material)..... Copper  
 Fin Type..... Aluminum



**Temperature Setting Range**

Cooling..... 64°F - 88°F (18°C - 30 °C)  
 Heating..... 60°F - 88°F (16°C - 30°C)

**Enclosure**

Material..... Polystyrene  
 Color..... White (approximate color of Munsell N9.25)

**Sound Pressure Level**

Cooling  
 High/Medium/Low/Quiet..... 39 dB (A) / 34 dB (A) / 28 dB (A) / 22 dB (A)  
 Heating  
 High/Medium/Low/Quiet..... 39 dB (A) / 35 dB (A) / 30 dB (A) / 22 dB (A)

**Dimensions**

H x W x D  
 in. (mm)..... 23-5/8 x 29-1/8 x 7-7/8 (600x740x200)

**Connection Pipe**

Liquid..... 1/4" in. (6.35 mm)  
 Gas..... 3/8" in. (9.52 mm)  
 Method (Liquid/Gas)..... Flare  
 Drain hose Material..... PVC  
 Size..... 9/16" (13.8 mm) (I.D.) 5/8" to 11/16" (15.8mm to 16.7mm) (O.D.)

**Weight**

Net..... 31 lbs. (14 kg)  
 Gross..... 37 lbs. (17 kg)

**Accessories**

Wired Remote Controller..... UTY-RNNUM  
 Simple Remote Controller..... UTY-RSNUM  
 Dry Contact Wire Kit..... UTY-XWZZ5

**Intertek®ETL Number**

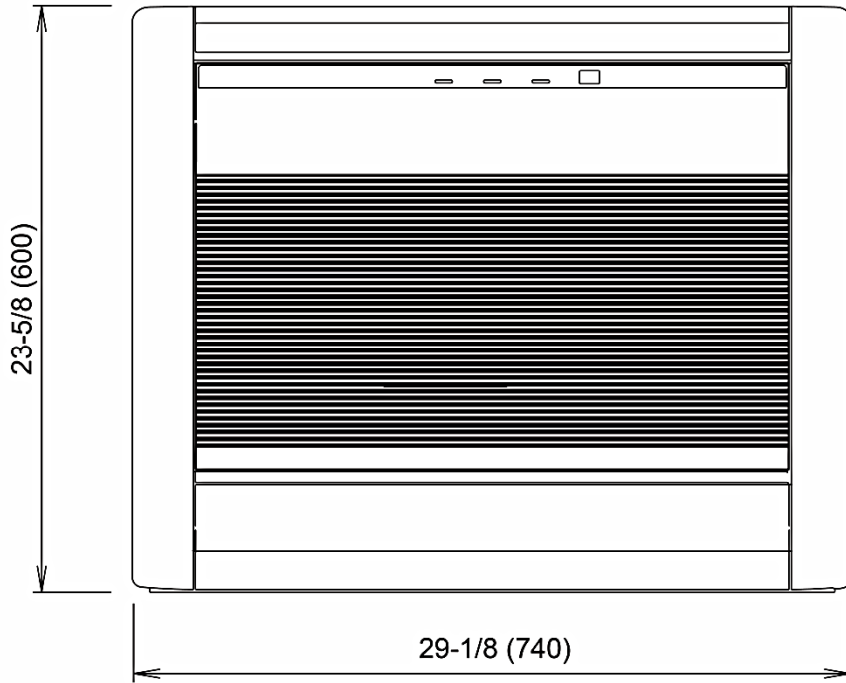
AGU9RLF..... 91986

Note: Specifications are based on the following conditions:  
 Cooling: Indoor temperature of 80°F (26.7°C) DB/67°F (19.44°C) WB, and outdoor temperature of 95°F (35°C) DB/75°F (23.9°C) WB.  
 Heating: Indoor temperature of 70°F (21.1°C) DB/59°F (15°C) WB, and outdoor temperature of 47°F (8.33°C) DB/43°F (6.11°C) WB.  
 Pipe length: 24ft. 7in. (7.5m), Height difference: 0ft. (0m) (Outdoor unit – indoor unit)

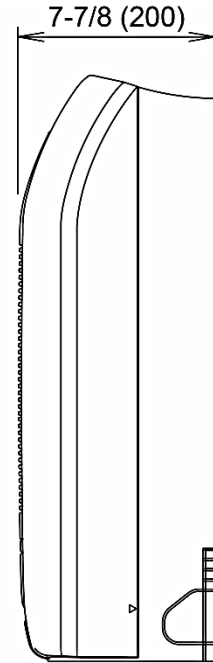


**Dimensions: AGU9RLF**

[Unit: in. (mm)]

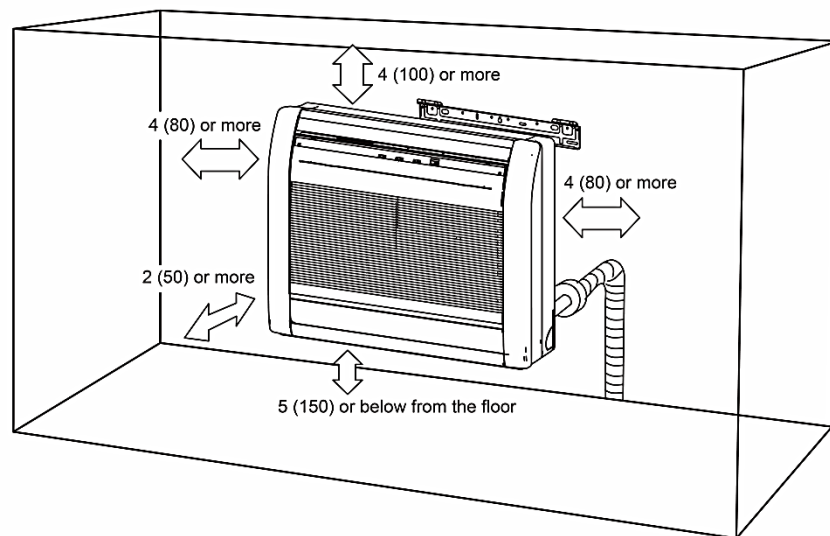


Front view



Side view

**■ INSTALLATION PLACE**



The Fujitsu logo is a registered trademark of Fujitsu Limited.  
 The Halcyon logo and name is a trademark of Fujitsu General America, Inc. Copyright 2016  
 Fujitsu General America, Inc.  
 Fujitsu's products are subject to continuous improvements. Fujitsu reserves the right to  
 modify product design, specifications and information in this brochure without notice and  
 without incurring any obligations.