

SERVICE MANUAL



CONTENTS

SPECIFICATIONS	1
DIMENSIONS	5
REFRIGERANT SYSTEM DIAGRAM ...	11
CIRCUIT DIAGRAM	14
OUTDOOR PCB CIRCUIT DIAGRAM ...	18
INDOOR PCB CIRCUIT DIAGRAM	19
ERROR DETECTION	24
PARTS (OUTDOOR UNIT)	26
PARTS (INDOOR UNIT)	30
ACCESSORIES	55

Outdoor unit	Indoor unit
AOU36RLXFZ1	ASU7RLF1
	ASU9RLF1
	ASU12RLF1
	ASU15RLF1
	ASU18RLF
	ASU24RLF
	AGU9RLF
	AGU12RLF
	AGU15RLF
	AUU7RLF
	AUU9RLF
	AUU12RLF
	AUU18RLF
	UTG-CCGF
	ARU7RLF
	ARU9RLF
	ARU12RLF
	ARU18RLF
	ARU24RLF

SPECIFICATIONS

OUTDOOR UNIT

ELECTRICAL SPECIFICATIONS

TYPE	Four room multi inverter
MODEL NAME	AOU36RLXFZ1
POWER SUPPLY	208 / 230 Volts 60 Hz
COOLING CAPACITY	35,200 Btu/h
HEATING CAPACITY	36,400 Btu/h

COMBINATION WITH 4 UNITS OF ASU9RLF1

INPUT WATTS	Cooling	3,520 Watts
	Heating	3,000 Watts
EER	Cooling	10.00 Btu/W
COP	Heating	3.56 W/W
SEER	Cooling	18.0
HSPF	Heating	9.4
RUNNING CURRENT	Cooling	15.4 Amperes
	Heating	13.1 Amperes

COMBINATION WITH 4 UNITS OF ARU9RLF

INPUT WATTS	Cooling	3,920 Watts
	Heating	3,220 Watts
EER	Cooling	9.00 Btu/W
COP	Heating	3.32 W/W
SEER	Cooling	16.0
HSPF	Heating	8.7
RUNNING CURRENT	Cooling	17.1 Amperes
	Heating	14.1 Amperes

FAN MOTOR

DISCRIMINATION	MFE-45VVT
COOLING	850 r.p.m.
HEATING	900 r.p.m.

NOISE LEVEL

COOLING	53 dB
HEATING	55 dB

COMPRESSOR AND REFRIGERANT

COMPRESSOR TYPE	Hermetic type, Inverter, 4 poles, 3-phase, Brushless DC motor, Two cylinder rotary
DISCRIMINATION	N-TF30ND1A
WEIGHT (with oil)	33 lbs 12 oz 15.3 kg
PRECHARGED REFRIGERANT	7 lbs 1 oz 3,200 g

MEASUREMENT

DIMENSIONS	H x W x D	32-11/16 x 35-7/16 x 13 inch 830 x 900 x 330 mm
WEIGHT	Net / Shipping	149 lbs 15 oz / 165 lbs 6 oz 68 kg / 75 kg

**INDOOR UNIT
COMPACT WALL MOUNTED**

ELECTRICAL DATA

MODEL NAME	ASU7RLF1	ASU9RLF1	ASU12RLF1	ASU15RLF1
CAPACITY	7,000 Btu/h class	9,000 Btu/h class	12,000 Btu/h class	14,000 Btu/h class

FAN MOTOR

DISCRIMINATION		MFD-12CYAN								
FAN REVOLUTION	Cooling	High	1,050 rpm	1,090 rpm	1,190 rpm	1,280 rpm				
		Medium	950 rpm	980 rpm	1,050 rpm	1,090 rpm				
		Low	850 rpm	850 rpm	880 rpm	1,000 rpm				
		Quiet	680 rpm	680 rpm	680 rpm	750 rpm				
	Heating	High	1,050 rpm	1,090 rpm	1,190 rpm	1,280 rpm				
		Medium	950 rpm	980 rpm	1,050 rpm	1,120 rpm				
		Low	850 rpm	850 rpm	910 rpm	1,050 rpm				
		Quiet	710 rpm	710 rpm	710 rpm	770 rpm				
AIR FLOW	Cooling	High	330 cfm 560 m ³ /h	353 cfm 600 m ³ /h	388 cfm 660 m ³ /h	729 cfm 730 m ³ /h				
		Medium	294 cfm 500 m ³ /h	306 cfm 520 m ³ /h	330 cfm 560 m ³ /h	353 cfm 600 m ³ /h				
		Low	253 cfm 430 m ³ /h	253 cfm 430 m ³ /h	265 cfm 450 m ³ /h	312 cfm 530 m ³ /h				
		Quiet	182 cfm 310 m ³ /h	182 cfm 310 m ³ /h	182 cfm 310 m ³ /h	212 cfm 360 m ³ /h				
	Heating	High	330 cfm 560 m ³ /h	353 cfm 600 m ³ /h	388 cfm 660 m ³ /h	429 cfm 730 m ³ /h				
		Medium	294 cfm 500 m ³ /h	306 cfm 520 m ³ /h	330 cfm 560 m ³ /h	362 cfm 615 m ³ /h				
		Low	253 cfm 430 m ³ /h	253 cfm 430 m ³ /h	277 cfm 470 m ³ /h	330 cfm 560 m ³ /h				
		Quiet	194 cfm 330 m ³ /h	194 cfm 330 m ³ /h	194 cfm 330 m ³ /h	220 cfm 375 m ³ /h				
NOISE LEVEL	Cooling	High	36 dB(A)	37 dB(A)	40 dB(A)	42 dB(A)				
		Medium	32 dB(A)	33 dB(A)	36 dB(A)	38 dB(A)				
		Low	29 dB(A)	29 dB(A)	30 dB(A)	33 dB(A)				
		Quiet	21 dB(A)	21 dB(A)	21 dB(A)	25 dB(A)				
	Heating	High	36 dB(A)	37 dB(A)	40 dB(A)	42 dB(A)				
		Medium	32 dB(A)	33 dB(A)	36 dB(A)	38 dB(A)				
		Low	29 dB(A)	29 dB(A)	31 dB(A)	35 dB(A)				
		Quiet	22 dB(A)	22 dB(A)	22 dB(A)	27 dB(A)				

MEASUREMENTS

DIMENSIONS	H x W x D	10-9/16 x 33-1/16 x 8 inch	268 x 840 x 203 mm
WEIGHT	Net / Shipping	19 lbs / 23 lbs	8.5 kg / 10.5 kg

**INDOOR UNIT
WALL MOUNTED**

ELECTRICAL DATA

MODEL NAME	ASU18RLF	ASU24RLF
CAPACITY	18,000 Btu/h class	24,000 Btu/h class

FAN MOTOR

DISCRIMINATION		MFD-50RON				
FAN REVOLUTION	Cooling	High	1,260 rpm	1,480 rpm		
		Medium	1,020 rpm	1,220 rpm		
		Low	900 rpm	1,020 rpm		
		Quiet	770 rpm	900 rpm		
	Heating	High	1,260 rpm	1,430 rpm		
		Medium	1,020 rpm	1,220 rpm		
		Low	900 rpm	1,020 rpm		
		Quiet	790 rpm	900 rpm		
AIR FLOW	Cooling	High	542 cfm 920 m ³ /h	659 cfm 1,120 m ³ /h		
		Medium	436 cfm 740 m ³ /h	530 cfm 900 m ³ /h		
		Low	365 cfm 620 m ³ /h	436 cfm 740 m ³ /h		
		Quiet	324 cfm 550 m ³ /h	365 cfm 620 m ³ /h		
	Heating	High	542 cfm 920 m ³ /h	647 cfm 1,100 m ³ /h		
		Medium	436 cfm 740 m ³ /h	530 cfm 900 m ³ /h		
		Low	365 cfm 620 m ³ /h	436 cfm 740 m ³ /h		
		Quiet	324 cfm 550 m ³ /h	365 cfm 620 m ³ /h		
NOISE LEVEL	Cooling	High	43 dB(A)	49 dB(A)		
		Medium	37 dB(A)	42 dB(A)		
		Low	33 dB(A)	37 dB(A)		
		Quiet	31 dB(A)	33 dB(A)		
	Heating	High	44 dB(A)	48 dB(A)		
		Medium	37 dB(A)	42 dB(A)		
		Low	33 dB(A)	37 dB(A)		
		Quiet	31 dB(A)	33 dB(A)		

MEASUREMENTS

DIMENSIONS	H x W x D	12-5/8 x 39-1/4 x 9 inch	320 x 998 x 228 mm
WEIGHT	Net / Shipping	31 lbs / 40 lbs	14 kg / 18 kg

**INDOOR UNIT
FLOOR**

ELECTRICAL DATA

MODEL NAME	AGU9RLF	AGU12RLF	AGU15RLF
CAPACITY	9,000 Btu/h class	12,000 Btu/h class	14,000 Btu/h class

FAN MOTOR

DISCRIMINATION		MFD-14TXAN (upper) / MFD-14SXAN (lower)					
FAN REVOLUTION (upper fan / lower fan)	Cooling	High	1,120 / 950 r.p.m.	1,240 / 1,050 r.p.m.	1,330 / 1,120 r.p.m.		
		Medium	960 / 820 r.p.m.	1,050 / 890 r.p.m.	1,100 / 930 r.p.m.		
		Low	820 / 700 r.p.m.	860 / 730 r.p.m.	890 / 750 r.p.m.		
		Quiet	660 / 560 r.p.m.	660 / 560 r.p.m.	660 / 560 r.p.m.		
	Heating	High	1,120 / 950 r.p.m.	1,240 / 1,050 r.p.m.	1,330 / 1,120 r.p.m.		
		Medium	1,000 / 850 r.p.m.	1,080 / 920 r.p.m.	1,100 / 930 r.p.m.		
		Low	860 / 730 r.p.m.	910 / 770 r.p.m.	860 / 730 r.p.m.		
		Quiet	660 / 560 r.p.m.	660 / 560 r.p.m.	660 / 560 r.p.m.		
AIR CIRCULATION HIGH (2 fan running)	Cooling	High	312 cfm 530 m ³ /h	353 cfm 600 m ³ /h	382 cfm 650 m ³ /h		
		Medium	259 cfm 440 m ³ /h	288 cfm 490 m ³ /h	306 cfm 520 m ³ /h		
		Low	212 cfm 360 m ³ /h	223 cfm 380 m ³ /h	235 cfm 400 m ³ /h		
		Quiet	159 cfm 270 m ³ /h	159 cfm 270 m ³ /h	159 cfm 270 m ³ /h		
	Heating	High	312 cfm 530 m ³ /h	353 cfm 600 m ³ /h	382 cfm 650 m ³ /h		
		Medium	270 cfm 460 m ³ /h	300 cfm 510 m ³ /h	318 cfm 540 m ³ /h		
		Low	223 cfm 380 m ³ /h	241 cfm 410 m ³ /h	253 cfm 430 m ³ /h		
		Quiet	159 cfm 270 m ³ /h	159 cfm 270 m ³ /h	159 cfm 270 m ³ /h		
NOISE LEVEL	Cooling	High	39 dB(A)	42 dB(A)	44 dB(A)		
		Medium	34 dB(A)	36 dB(A)	38 dB(A)		
		Low	28 dB(A)	30 dB(A)	31 dB(A)		
		Quiet	22 dB(A)	22 dB(A)	22 dB(A)		
	Heating	High	39 dB(A)	42 dB(A)	44 dB(A)		
		Medium	35 dB(A)	38 dB(A)	39 dB(A)		
		Low	30 dB(A)	32 dB(A)	33 dB(A)		
		Quiet	22 dB(A)	22 dB(A)	22 dB(A)		

MEASUREMENT

DIMENSIONS	H x W x D	23-5/8 x 29-1/8 x 7-7/8 inch	600 x 740 x 200 mm
WEIGHT	Net / Shipping	31 lbs / 37 lbs	14 kg / 17 kg

**INDOOR UNIT
COMPACT CASSETTE**

ELECTRICAL DATA

MODEL NAME	AUU7RLF	AUU9RLF	AUU12RLF	AUU18RLF
CAPACITY	9,000 Btu/h class	9,000 Btu/h class	12,000 Btu/h class	18,000 Btu/h class

FAN MOTOR

DISCRIMINATION		MFF-24VVL							
FAN REVOLUTION	Cooling	High	590 r.p.m.	590 r.p.m.	660 r.p.m.	790 r.p.m.			
		Medium	540 r.p.m.	540 r.p.m.	580 r.p.m.	660 r.p.m.			
		Low	490 r.p.m.	490 r.p.m.	520 r.p.m.	570 r.p.m.			
		Quiet	440 r.p.m.	440 r.p.m.	460 r.p.m.	460 r.p.m.			
	Heating	High	590 r.p.m.	590 r.p.m.	650 r.p.m.	840 r.p.m.			
		Medium	540 r.p.m.	540 r.p.m.	580 r.p.m.	750 r.p.m.			
		Low	490 r.p.m.	490 r.p.m.	520 r.p.m.	650 r.p.m.			
		Quiet	440 r.p.m.	440 r.p.m.	460 r.p.m.	500 r.p.m.			
AIR FLOW	Cooling	High	318 cfm 540 m ³ /h	318 cfm 540 m ³ /h	359 cfm 610 m ³ /h	441 cfm 750 m ³ /h			
		Medium	288 cfm 490 m ³ /h	288 cfm 490 m ³ /h	312 cfm 530 m ³ /h	359 cfm 610 m ³ /h			
		Low	259 cfm 440 m ³ /h	259 cfm 440 m ³ /h	277 cfm 470 m ³ /h	306 cfm 520 m ³ /h			
		Quiet	230 cfm 390 m ³ /h	230 cfm 390 m ³ /h	241 cfm 410 m ³ /h	241 cfm 410 m ³ /h			
	Heating	High	318 cfm 540 m ³ /h	318 cfm 540 m ³ /h	359 cfm 610 m ³ /h	471 cfm 800 m ³ /h			
		Medium	288 cfm 490 m ³ /h	288 cfm 490 m ³ /h	312 cfm 530 m ³ /h	418 cfm 710 m ³ /h			
		Low	259 cfm 440 m ³ /h	259 cfm 440 m ³ /h	277 cfm 470 m ³ /h	353 cfm 600 m ³ /h			
		Quiet	230 cfm 390 m ³ /h	230 cfm 390 m ³ /h	241 cfm 410 m ³ /h	265 cfm 450 m ³ /h			
NOISE LEVEL	Cooling	High	33 dB(A)	33 dB(A)	37 dB(A)	42 dB(A)			
		Medium	31 dB(A)	31 dB(A)	33 dB(A)	37 dB(A)			
		Low	29 dB(A)	29 dB(A)	31 dB(A)	33 dB(A)			
		Quiet	27 dB(A)	27 dB(A)	28 dB(A)	29 dB(A)			
	Heating	High	34 dB(A)	34 dB(A)	37 dB(A)	44 dB(A)			
		Medium	32 dB(A)	32 dB(A)	33 dB(A)	40 dB(A)			
		Low	29 dB(A)	29 dB(A)	31 dB(A)	37 dB(A)			
		Quiet	27 dB(A)	27 dB(A)	28 dB(A)	30 dB(A)			

MEASUREMENTS

DIMENSIONS H x W x D	9-21/32 x 22-7/16 x 22-7/16 inch	245 x 570 x 570 mm
WEIGHT Net / Shipping	33 lbs / 40 lbs	15 kg / 18 kg

PANEL MEASUREMENTS

MODEL NAME	UTG-CCGF	
DIMENSIONS H x W x D	1-15/16 x 27-9/16 x 27-9/16 inch	49 x 700 x 700 mm
WEIGHT Net / Shipping	5.7 lbs / 10 lbs	2.6 kg / 4.5 kg

INDOOR UNIT
SLIM DUCT
ELECTRICAL DATA

MODEL NAME	ARU7RLF	ARU9RLF	ARU12RLF
CAPACITY	9,000 Btu/h class	9,000 Btu/h class	12,000 Btu/h class

FAN MOTOR

DISCRIMINATION		MFG-09WVL			
FAN REVOLUTION	Cooling	High	1,260 r.p.m.	1,260 r.p.m.	1,340 r.p.m.
		Medium	1,160 r.p.m.	1,160 r.p.m.	1,240 r.p.m.
		Low	1,060 r.p.m.	1,060 r.p.m.	1,140 r.p.m.
		Quiet	960 r.p.m.	960 r.p.m.	1,030 r.p.m.
	Heating	High	1,260 r.p.m.	1,260 r.p.m.	1,340 r.p.m.
		Medium	1,160 r.p.m.	1,160 r.p.m.	1,240 r.p.m.
		Low	1,060 r.p.m.	1,060 r.p.m.	1,140 r.p.m.
		Quiet	960 r.p.m.	960 r.p.m.	1,030 r.p.m.
AIR FLOW	Cooling	High	324 cfm 550 m ³ /h	353 cfm 600 m ³ /h	383 cfm 650 m ³ /h
		Medium	288 cfm 490 m ³ /h	324 cfm 550 m ³ /h	353 cfm 600 m ³ /h
		Low	277 cfm 470 m ³ /h	294 cfm 500 m ³ /h	324 cfm 550 m ³ /h
		Quiet	259 cfm 440 m ³ /h	265 cfm 450 m ³ /h	283 cfm 480 m ³ /h
	Heating	High	324 cfm 550 m ³ /h	353 cfm 600 m ³ /h	383 cfm 650 m ³ /h
		Medium	288 cfm 490 m ³ /h	324 cfm 550 m ³ /h	353 cfm 600 m ³ /h
		Low	277 cfm 470 m ³ /h	294 cfm 500 m ³ /h	324 cfm 550 m ³ /h
		Quiet	259 cfm 440 m ³ /h	265 cfm 450 m ³ /h	283 cfm 480 m ³ /h
NOISE LEVEL	Cooling	High	28 dB(A)	28 dB(A)	29 dB(A)
		Medium	26 dB(A)	27 dB(A)	28 dB(A)
		Low	25 dB(A)	26 dB(A)	27 dB(A)
		Quiet	24 dB(A)	25 dB(A)	26 dB(A)
	Heating	High	28 dB(A)	28 dB(A)	29 dB(A)
		Medium	26 dB(A)	26 dB(A)	28 dB(A)
		Low	25 dB(A)	25 dB(A)	27 dB(A)
		Quiet	24 dB(A)	24 dB(A)	24 dB(A)

MEASUREMENTS

DIMENSIONS	H x W x D	7-25/32 x 27-9/16 x 24-13/32 inch 198 x 700 x 620 mm	
WEIGHT	Net / Shipping	37 lbs. / 49 lbs. 17 kg / 22 kg	40 lbs. / 51 lbs. 18 kg / 23 kg

INDOOR UNIT
SLIM DUCT
ELECTRICAL DATA

MODEL NAME	ARU18RLF	ARU24RLF
CAPACITY	18,000 Btu/h class	24,000 Btu/h class

FAN MOTOR

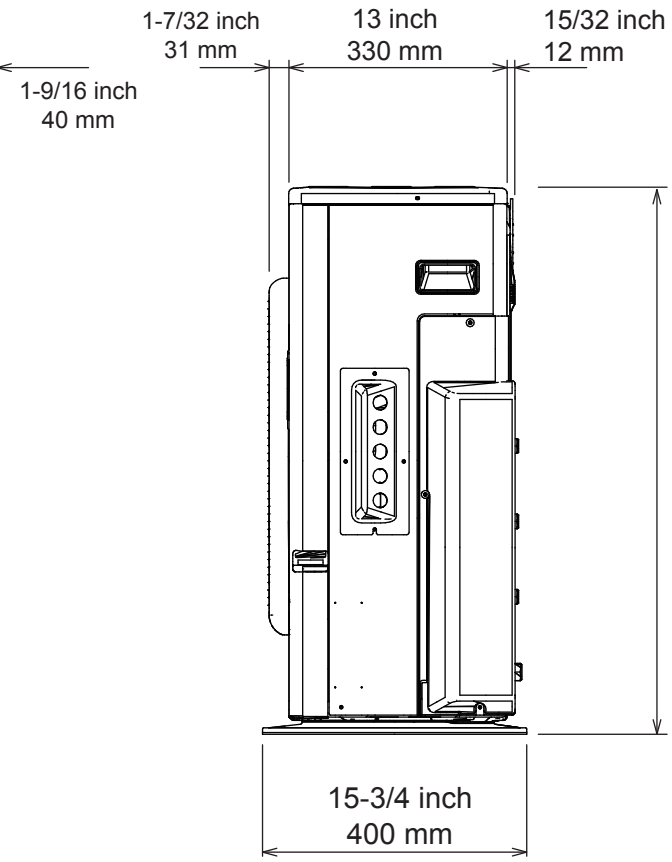
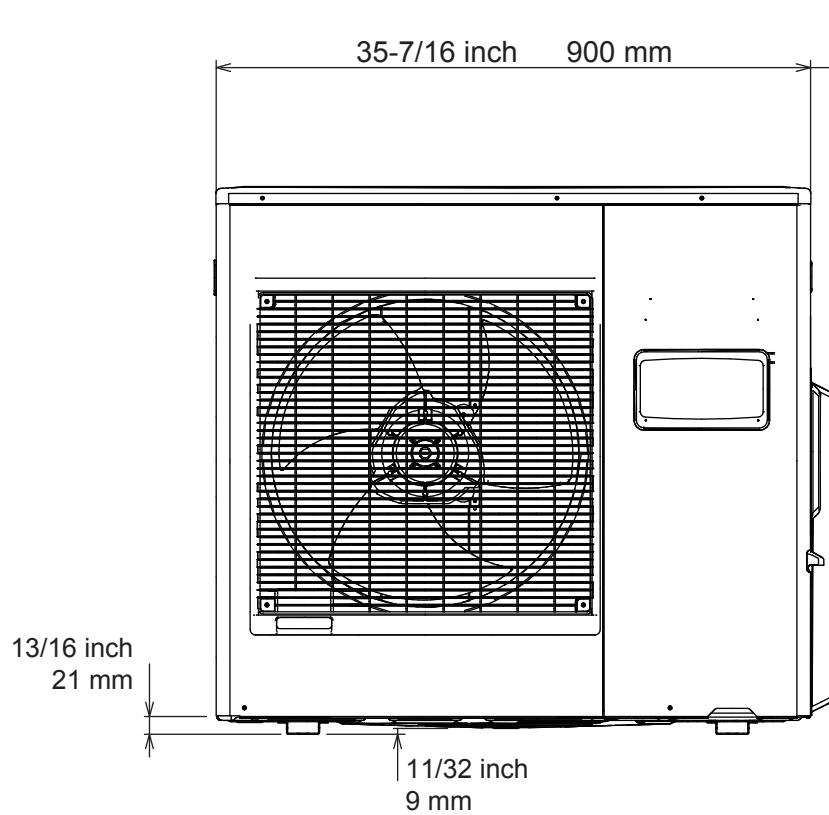
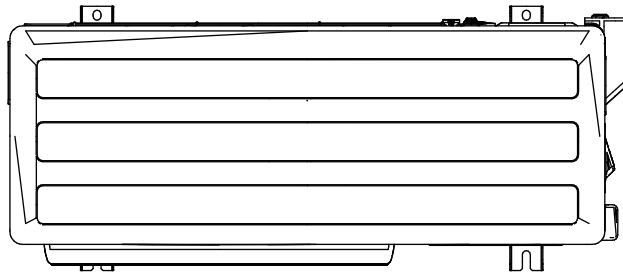
DISCRIMINATION		MFG-24WVAL		
FAN REVOLUTION	Cooling	High	1,380 r.p.m.	1,460 r.p.m.
		Medium	1,300 r.p.m.	1,360 r.p.m.
		Low	1,220 r.p.m.	1,260 r.p.m.
		Quiet	1,140 r.p.m.	1,180 r.p.m.
	Heating	High	1,380 r.p.m.	1,460 r.p.m.
		Medium	1,300 r.p.m.	1,360 r.p.m.
		Low	1,220 r.p.m.	1,260 r.p.m.
		Quiet	1,140 r.p.m.	1,180 r.p.m.
AIR FLOW	Cooling	High	554 cfm 940 m ³ /h	783 cfm 1,330 m ³ /h
		Medium	518 cfm 880 m ³ /h	730 cfm 1,240 m ³ /h
		Low	483 cfm 820 m ³ /h	648 cfm 1,100 m ³ /h
		Quiet	442 cfm 750 m ³ /h	607 cfm 1,030 m ³ /h
	Heating	High	554 cfm 940 m ³ /h	783 cfm 1,330 m ³ /h
		Medium	518 cfm 880 m ³ /h	730 cfm 1,240 m ³ /h
		Low	483 cfm 820 m ³ /h	648 cfm 1,100 m ³ /h
		Quiet	442 cfm 750 m ³ /h	607 cfm 1,030 m ³ /h
NOISE LEVEL	Cooling	High	32 dB(A)	33 dB(A)
		Medium	31 dB(A)	32 dB(A)
		Low	30 dB(A)	30 dB(A)
		Quiet	29 dB(A)	29 dB(A)
	Heating	High	33 dB(A)	35 dB(A)
		Medium	32 dB(A)	34 dB(A)
		Low	31 dB(A)	32 dB(A)
		Quiet	29 dB(A)	29 dB(A)

MEASUREMENTS

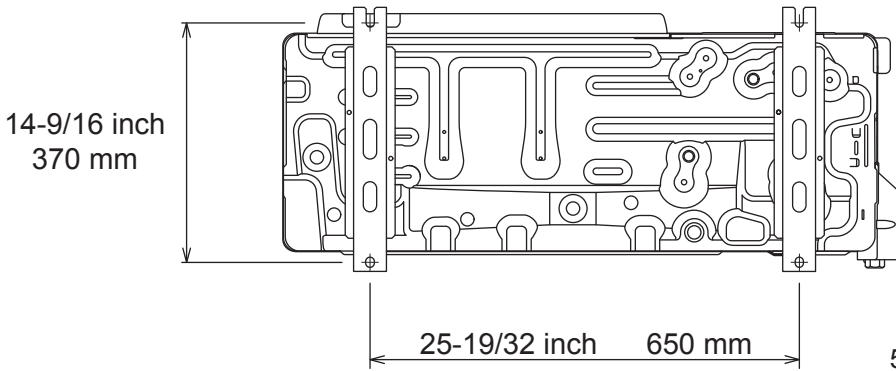
DIMENSIONS	H x W x D	7-25/32 x 35-7/16 x 24-13/32 inch 198 x 900 x 620 mm	7-25/32 x 43-5/16 x 24-13/32 inch 198 x 1,100 x 620 mm
WEIGHT	Net / Shipping	49 lbs. / 60 lbs. 22 kg / 27 kg	55 lbs. / 68 lbs. 25 kg / 31 kg

DIMENSIONS

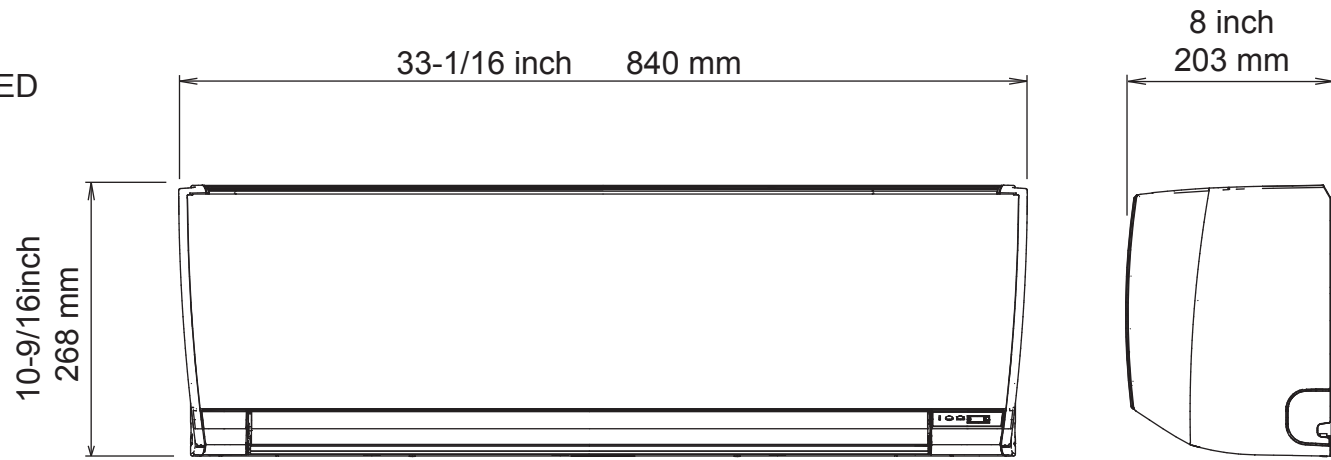
OUTDOOR UNIT
AOU36RLXFZ1



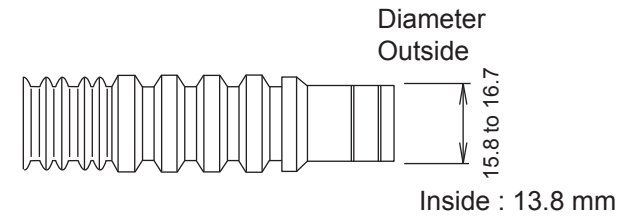
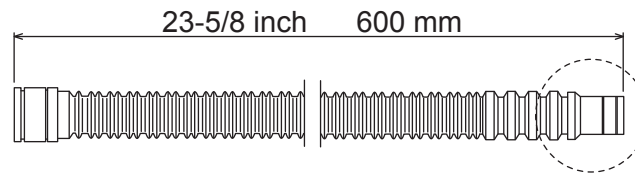
32-11/16 inch
830 mm



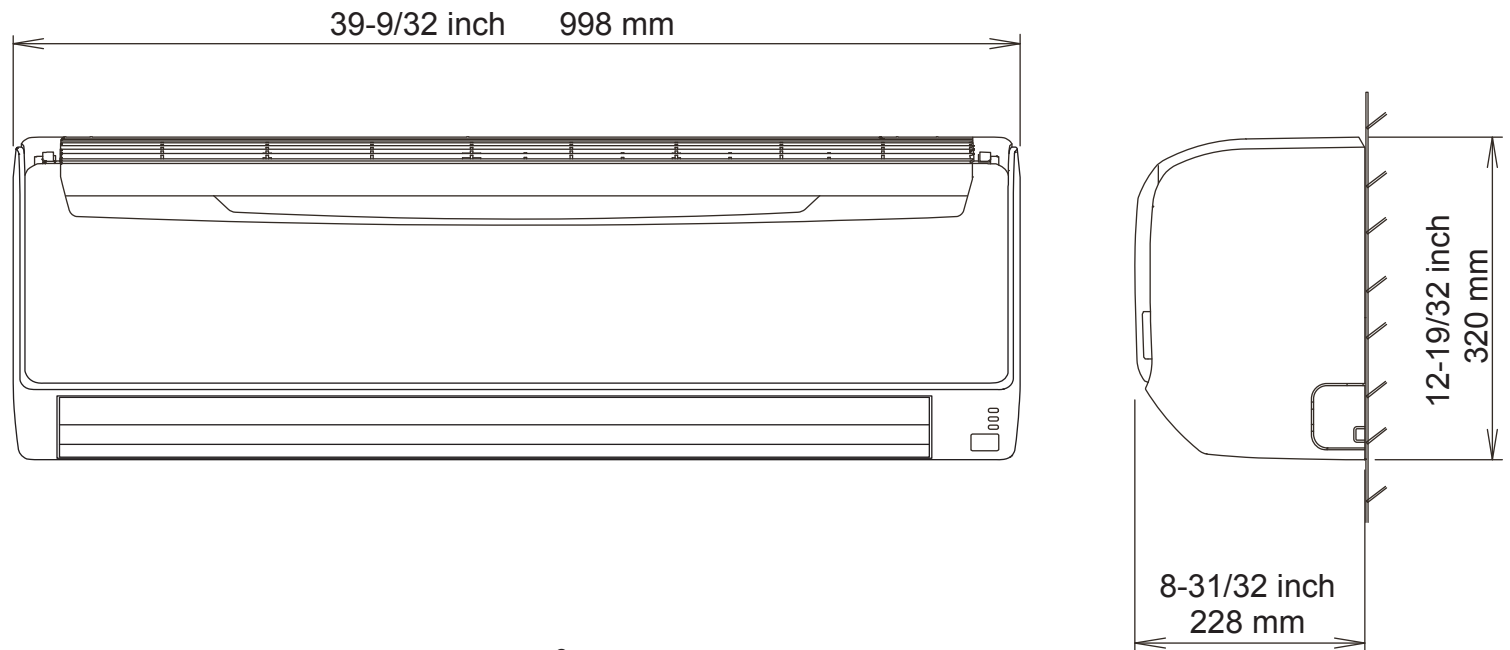
INDOOR UNIT
 COMPACT WALL MOUNTED
 ASU7RLF1
 ASU9RLF1
 ASU12RLF1
 ASU15RLF1



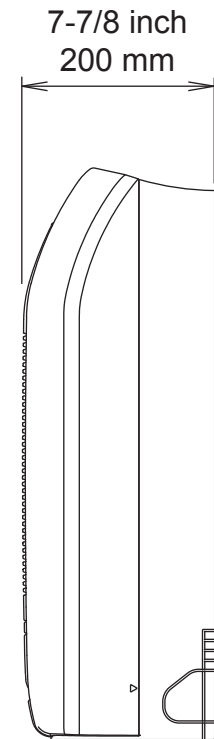
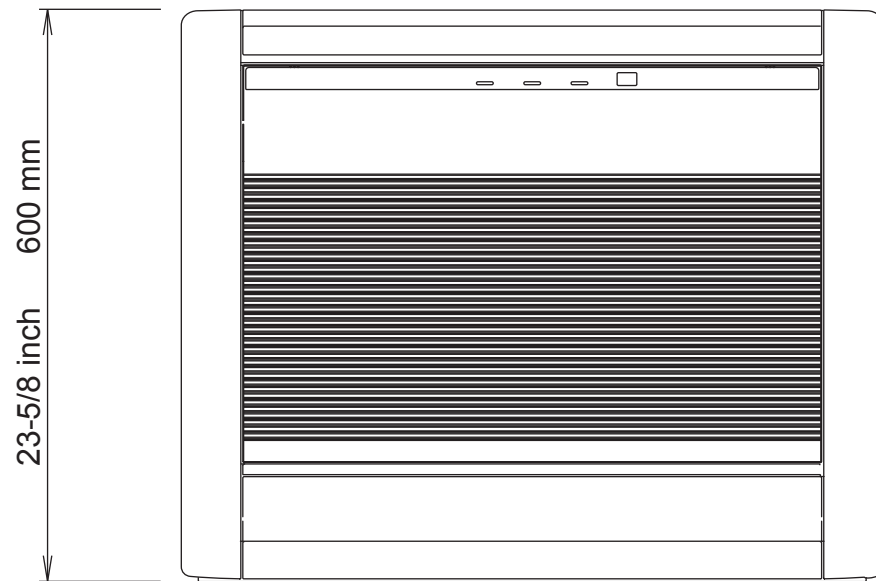
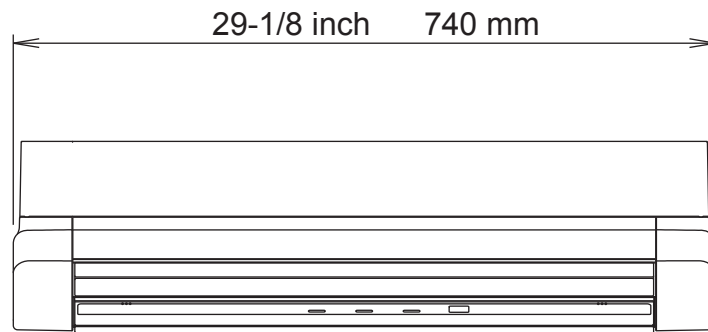
Drain hose



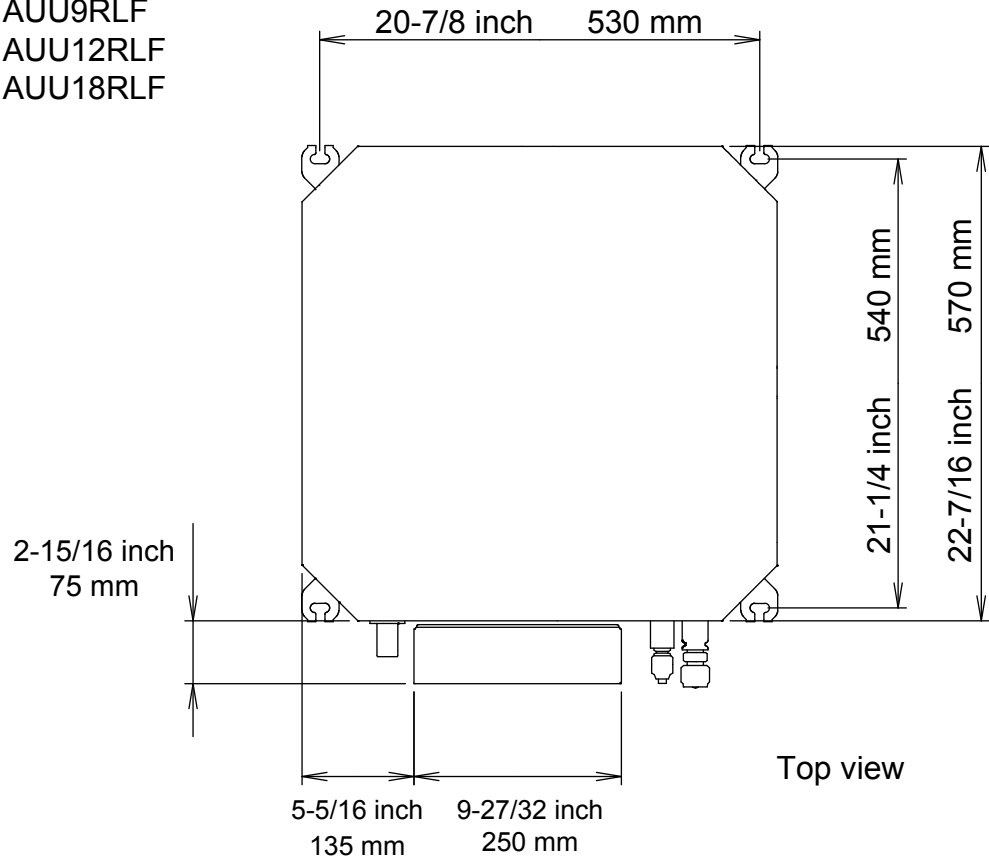
INDOOR UNIT
 WALL MOUNTED
 ASU18RLF
 ASU24RLF



INDOOR UNIT
FLOOR
AGU9RLF
AGU12RLF
AGU15RLF

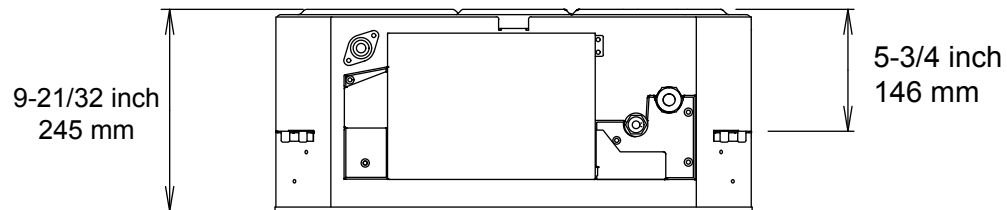


INDOOR UNIT
 COMPACT CASSETTE
 AUU7RLF
 AUU9RLF
 AUU12RLF
 AUU18RLF



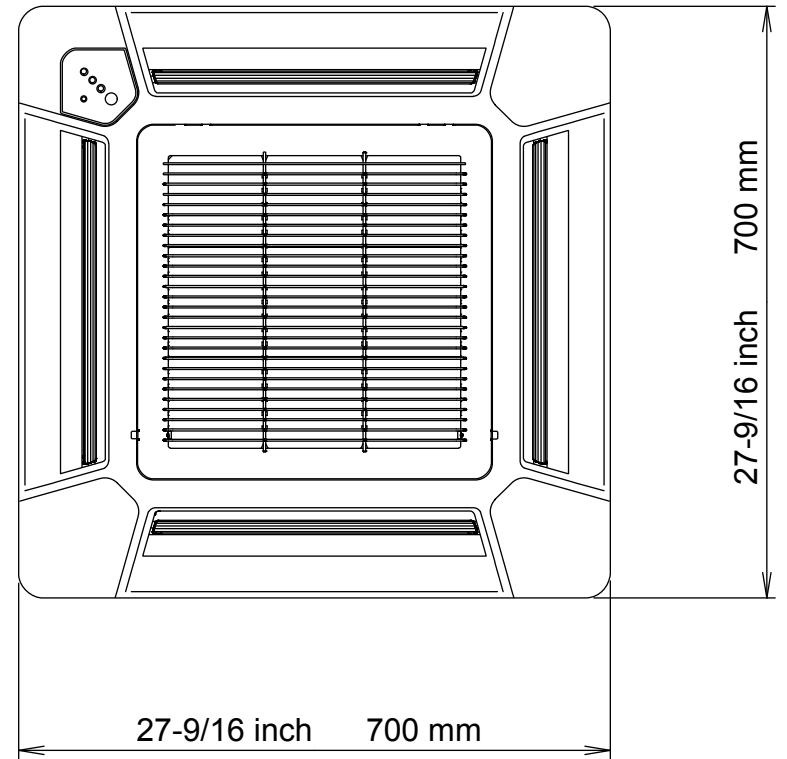
Top view

Side view

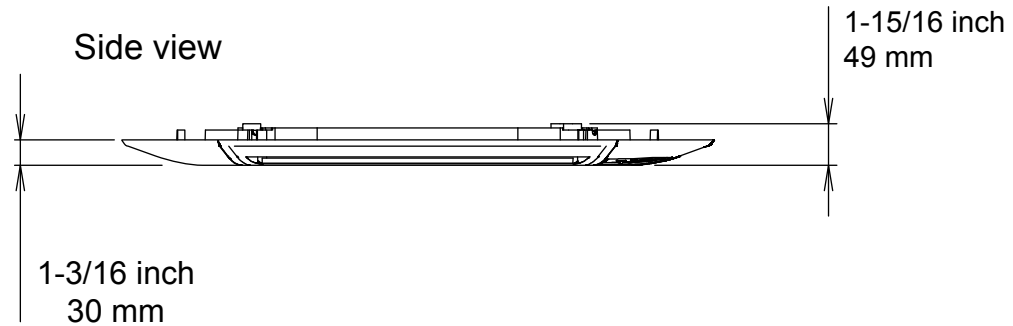


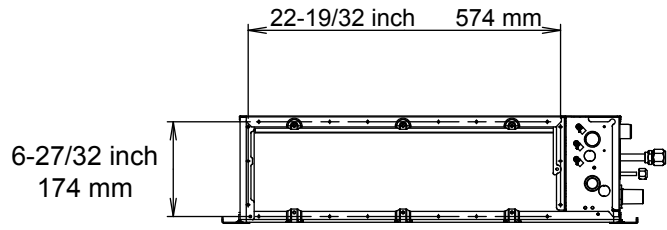
DECORATION PANEL
 UTG-CCGF

Bottom view

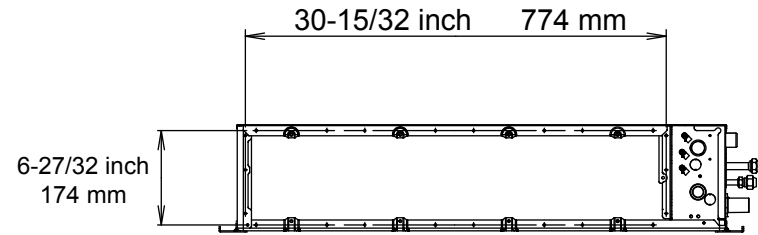


Side view

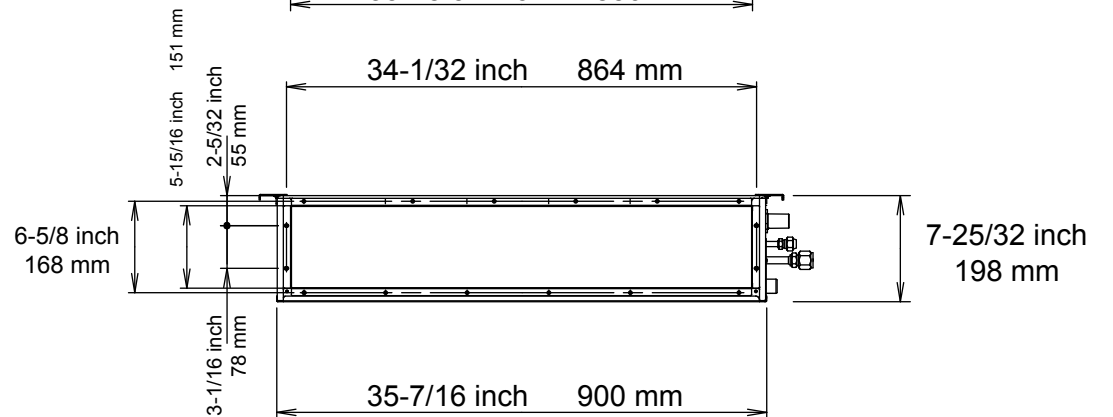
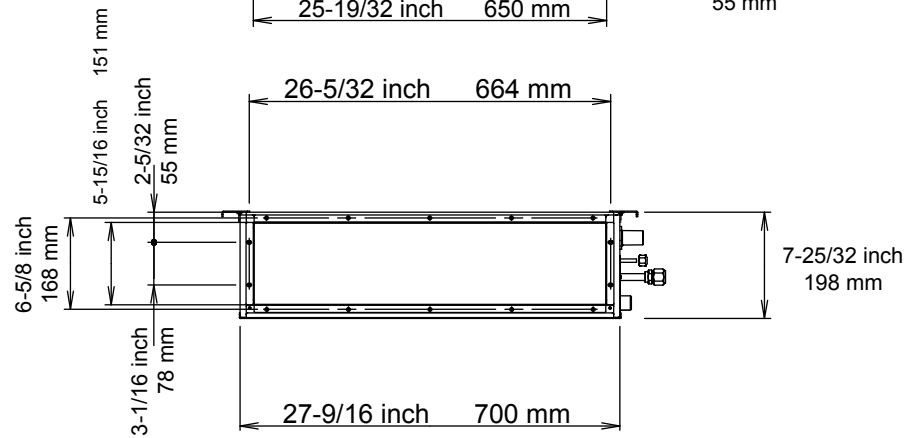
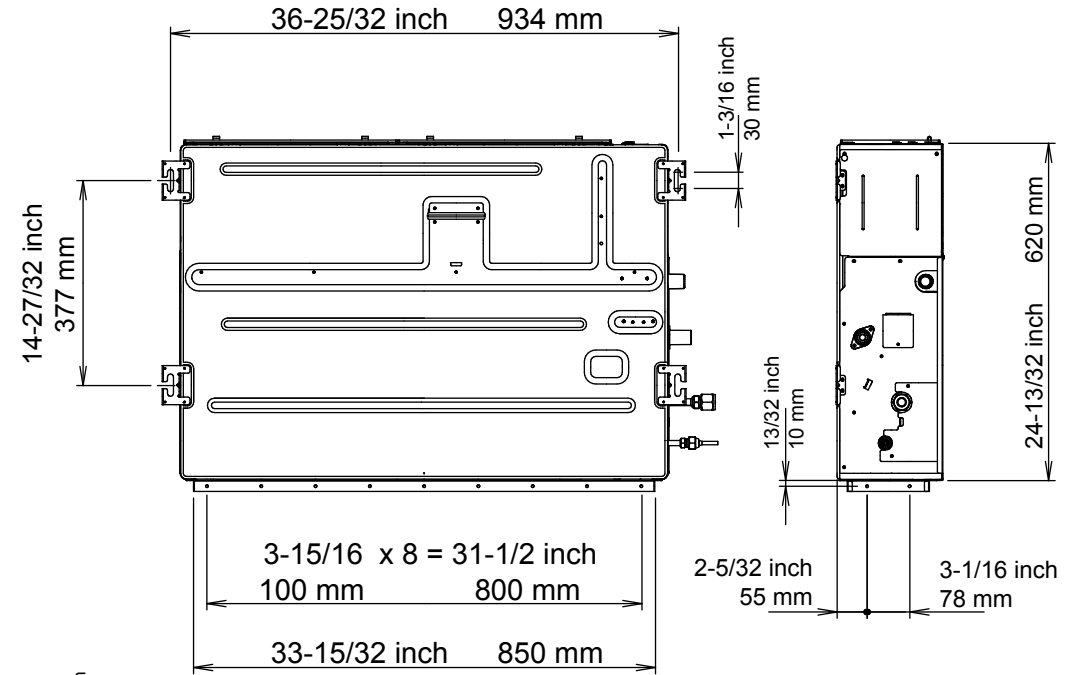
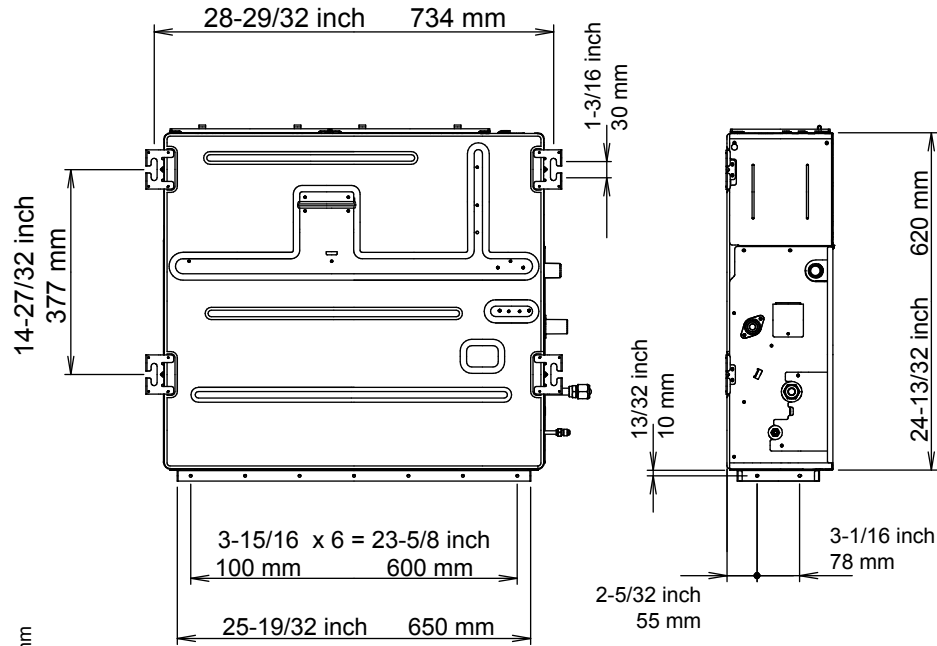


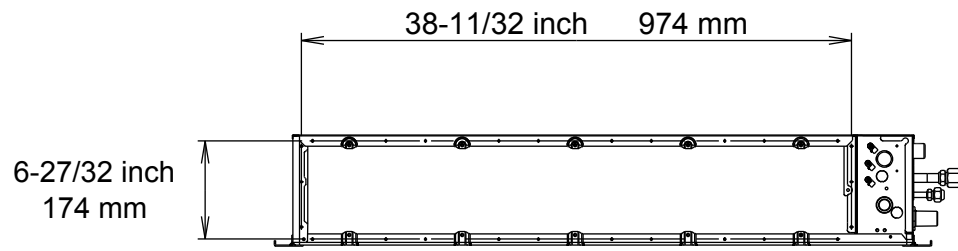


INDOOR UNIT
SLIM DUCT
ARU7RLF
ARU9RLF
ARU12RLF
(Serial number : R)

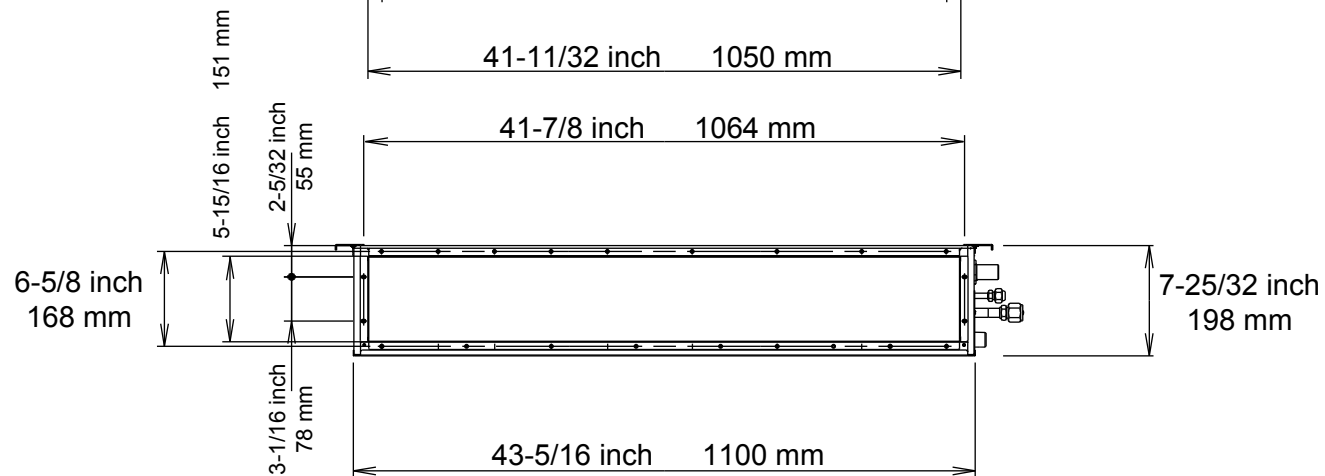
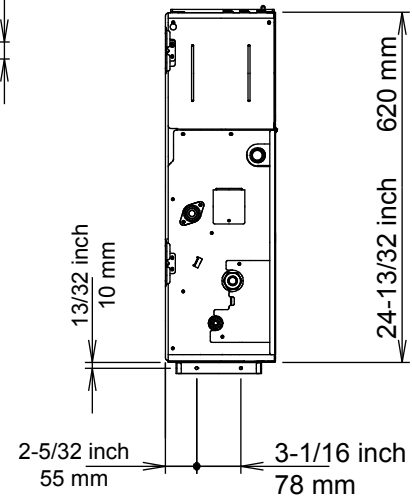
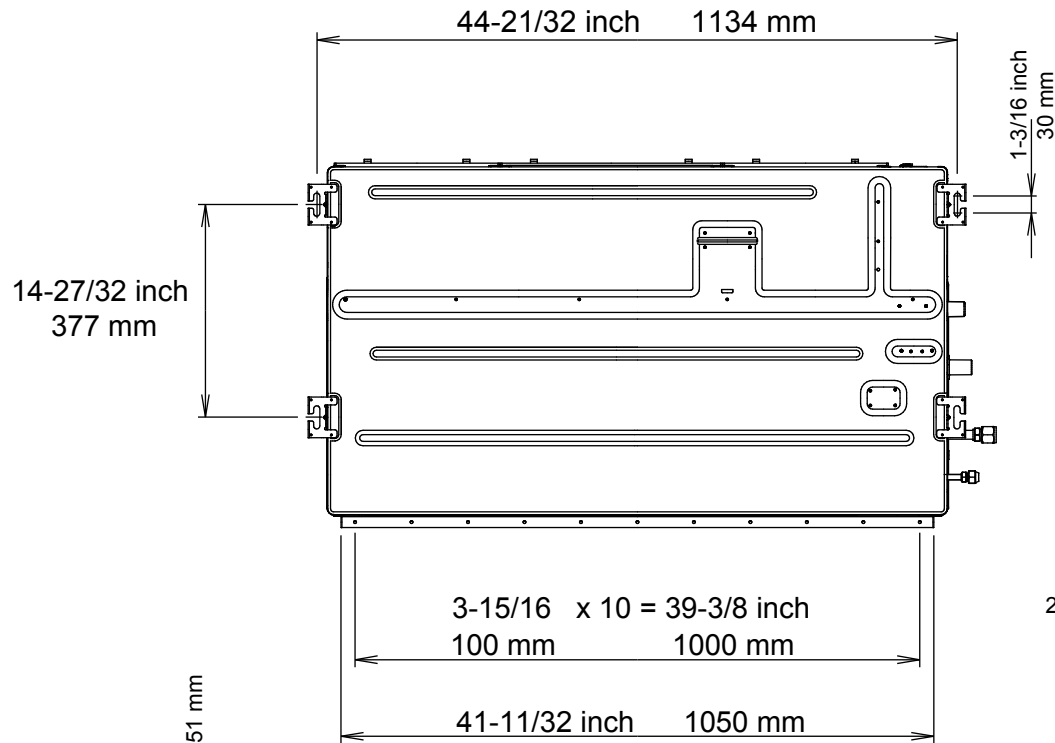


INDOOR UNIT
SLIM DUCT
ARU18RLF
(Serial number : R)

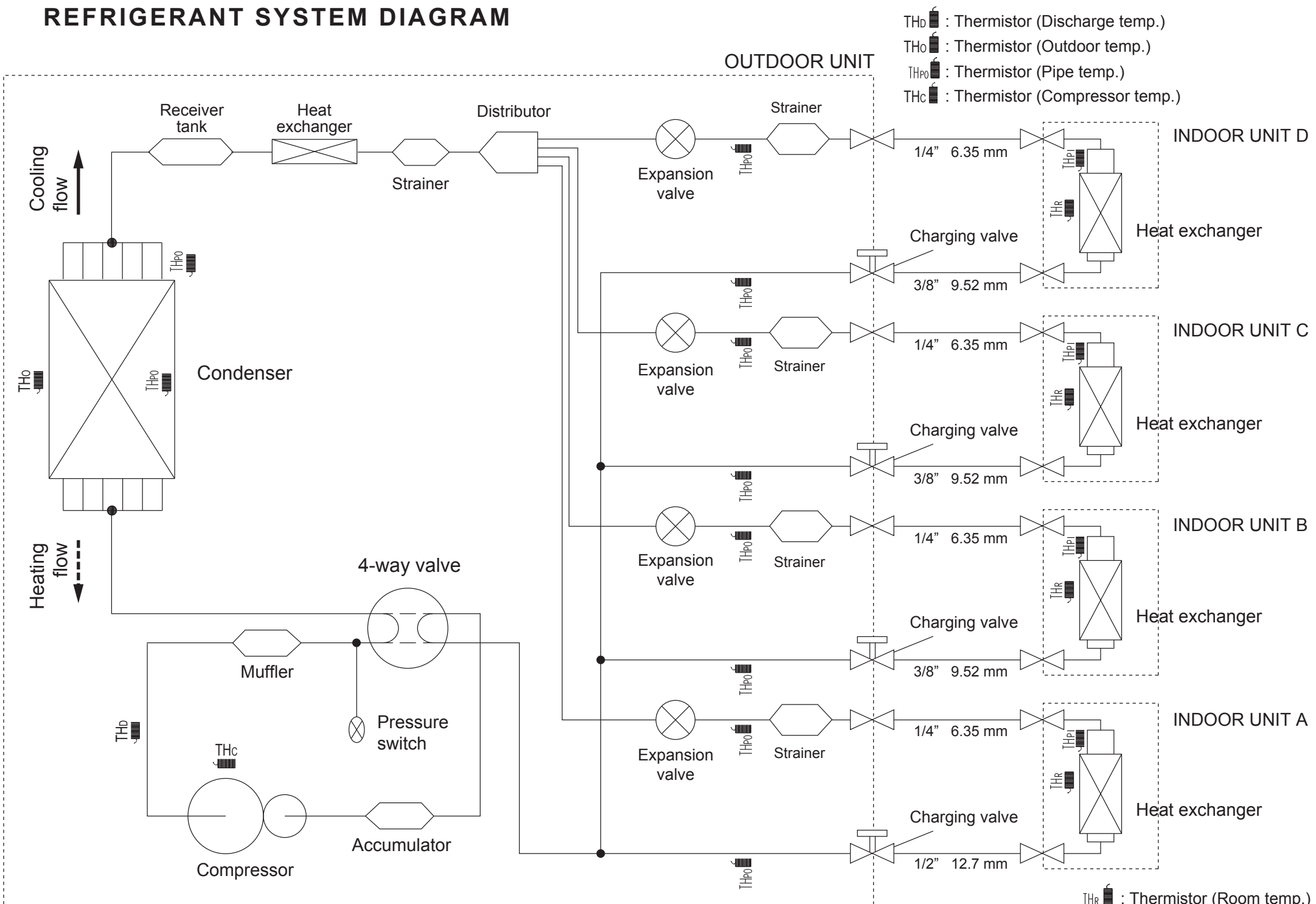




INDOOR UNIT
SLIM DUCT
ARU24RLF
(Serial number : R)



REFRIGERANT SYSTEM DIAGRAM



LIMITATION OF PIPING LENGTH
AND PIPING HEIGHT DIFFERENCE
(Three or four indoor units connected)

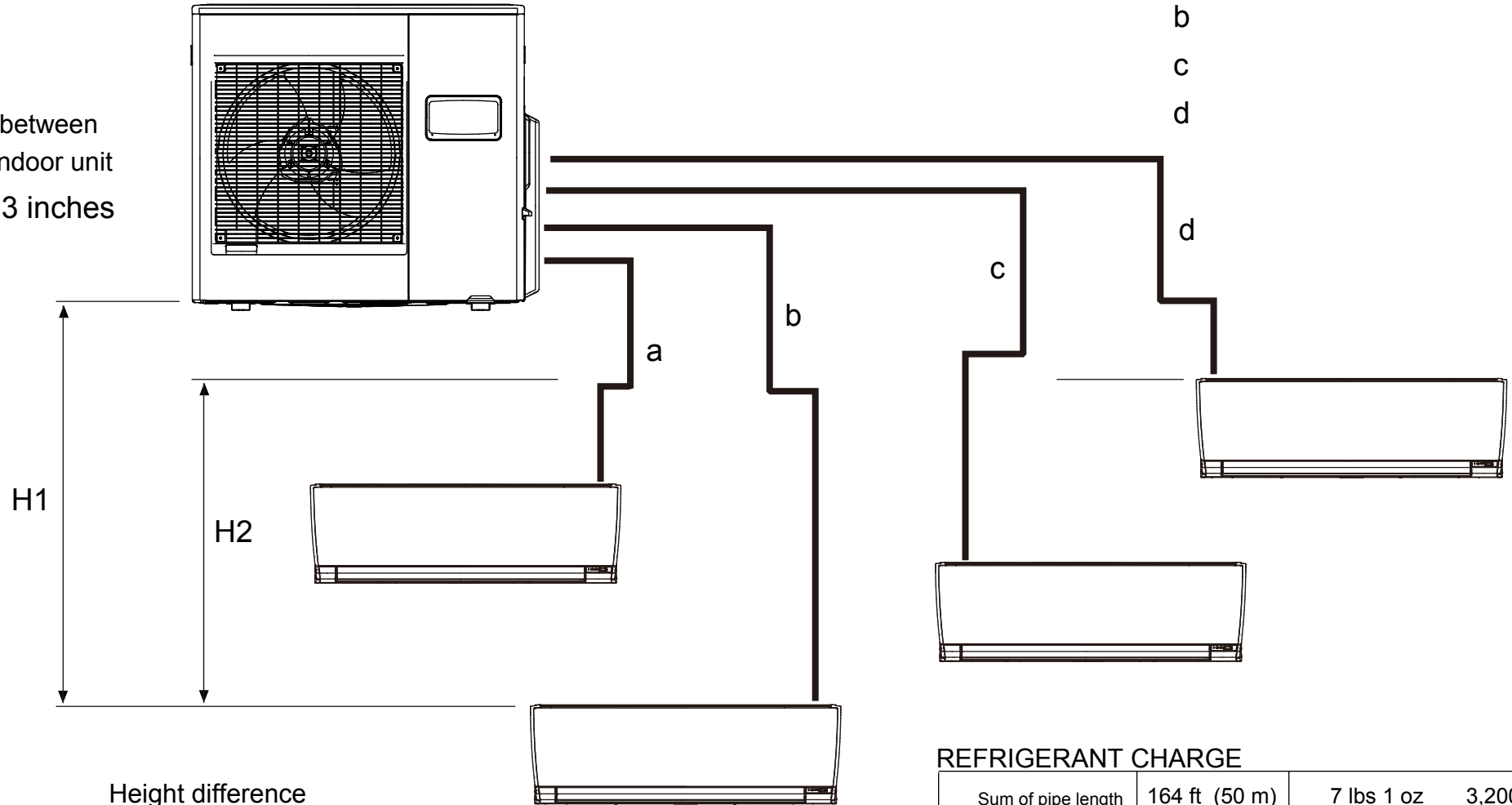
Sum of pipe length

$$49 \text{ feet } 3 \text{ inches} < a+b+c+d < 229 \text{ feet } 9 \text{ inches}$$

Pipe length between
outdoor unit and indoor unit

$$16 \text{ feet } 5 \text{ inches} < a < 82 \text{ feet } 1 \text{ inch}$$

Height difference between
outdoor unit and indoor unit
 $H1 < 49 \text{ feet } 3 \text{ inches}$



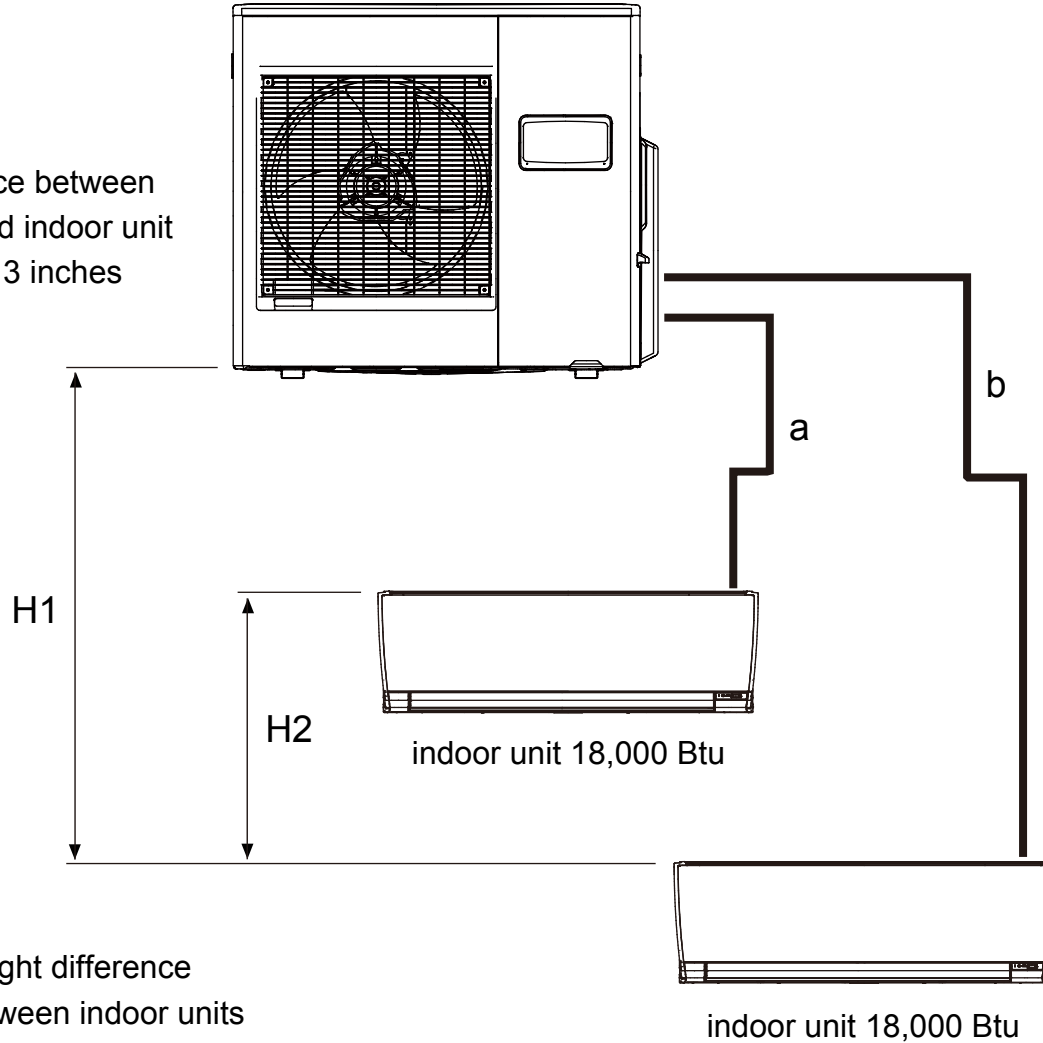
Height difference
between indoor units
 $H2 < 32 \text{ feet } 10 \text{ inches}$

REFRIGERANT CHARGE

Sum of pipe length	164 ft (50 m)	7 lbs 1 oz	3,200 g
FULL CHARGE	197 ft (60 m)	7 lbs 8 oz	3,400 g
	230 ft (70 m)	7 lbs 15 oz	3,600 g
ADDITIONAL CHARGE		7/32 oz/ft	20 g/m

**LIMITATION OF PIPING LENGTH
AND PIPING HEIGHT DIFFERENCE**
(Two indoor units connected using optional adapters UTP-MU36A2)

Height difference between
outdoor unit and indoor unit
 $H1 < 49 \text{ feet } 3 \text{ inches}$



Height difference
between indoor units
 $H2 < 32 \text{ feet } 10 \text{ inches}$

Sum of pipe length
 $49 \text{ feet } 3 \text{ inches} < a+b < 131 \text{ feet } 3 \text{ inches}$

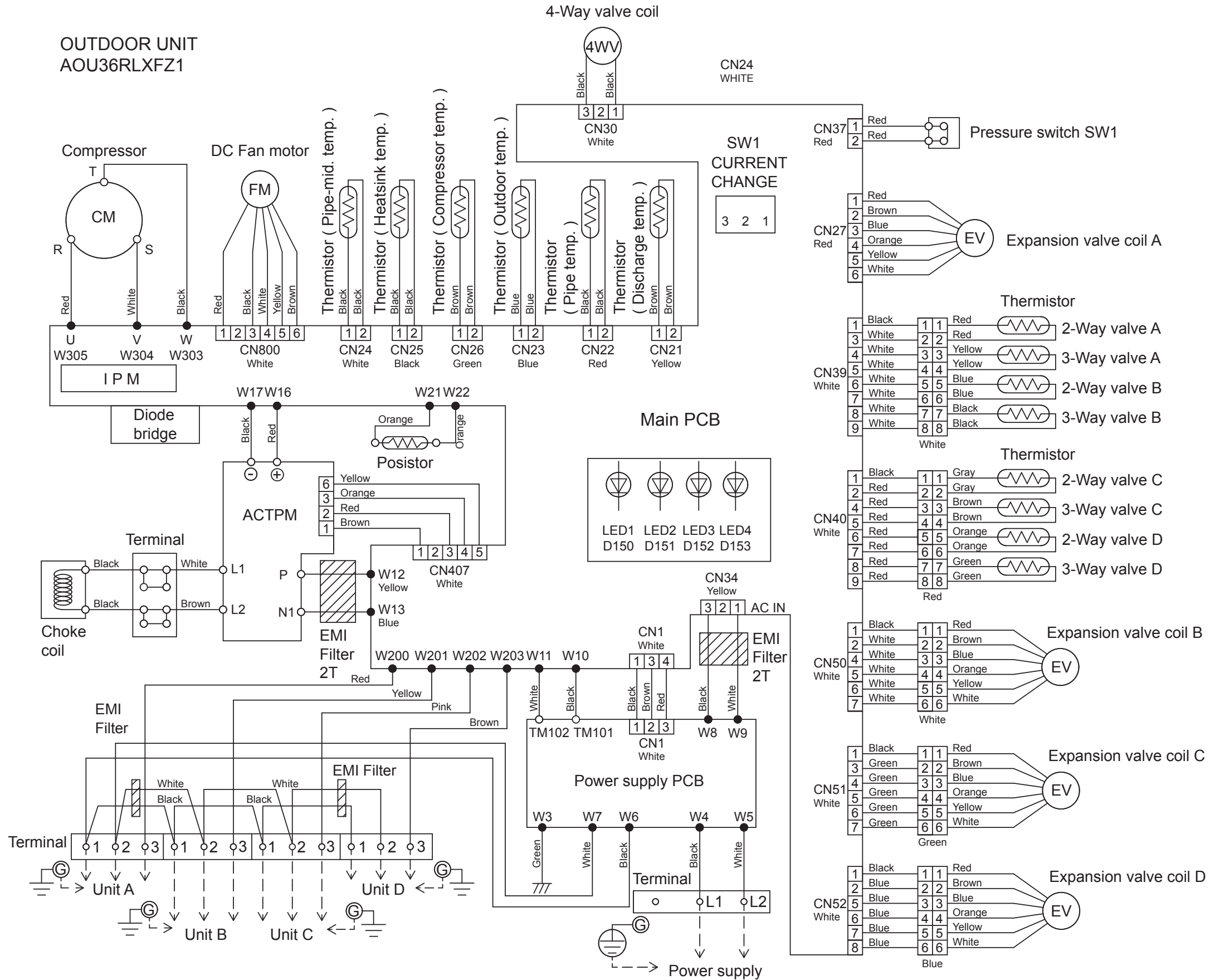
Pipe length between
outdoor unit and indoor unit
 $24 \text{ feet } 7 \text{ inches} < a < 82 \text{ feet } 1 \text{ inch}$
b

REFRIGERANT CHARGE

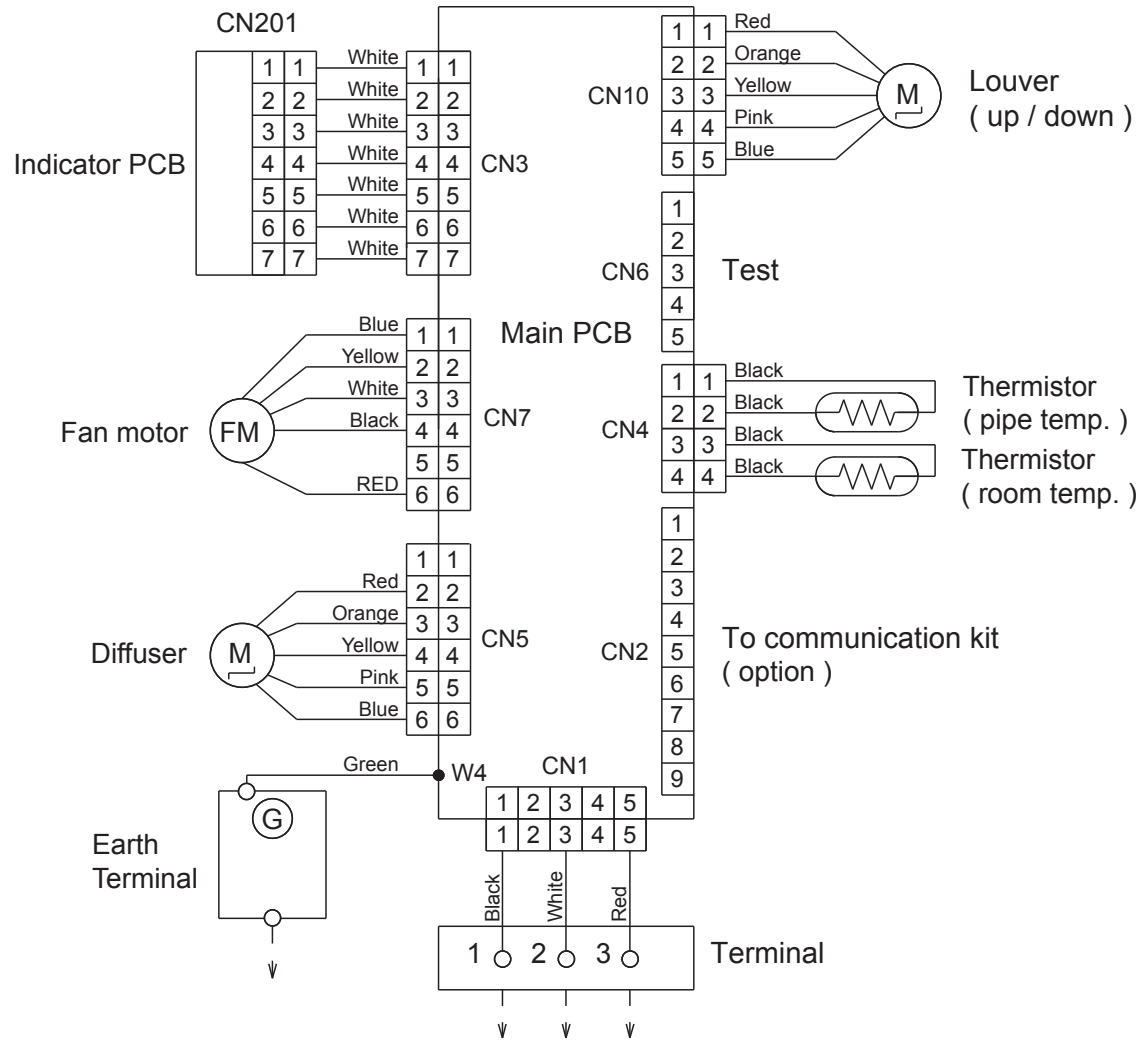
Sum of pipe length	66 ft (20 m)	7 lbs 1 oz	3,200 g
FULL CHARGE	98 ft (30 m)	7 lbs 10 oz	3,450 g
	131 ft (40 m)	8 lbs 3 oz	3,700 g
ADDITIONAL CHARGE		9/32 oz/ft	25 g/m

CIRCUIT DIAGRAM

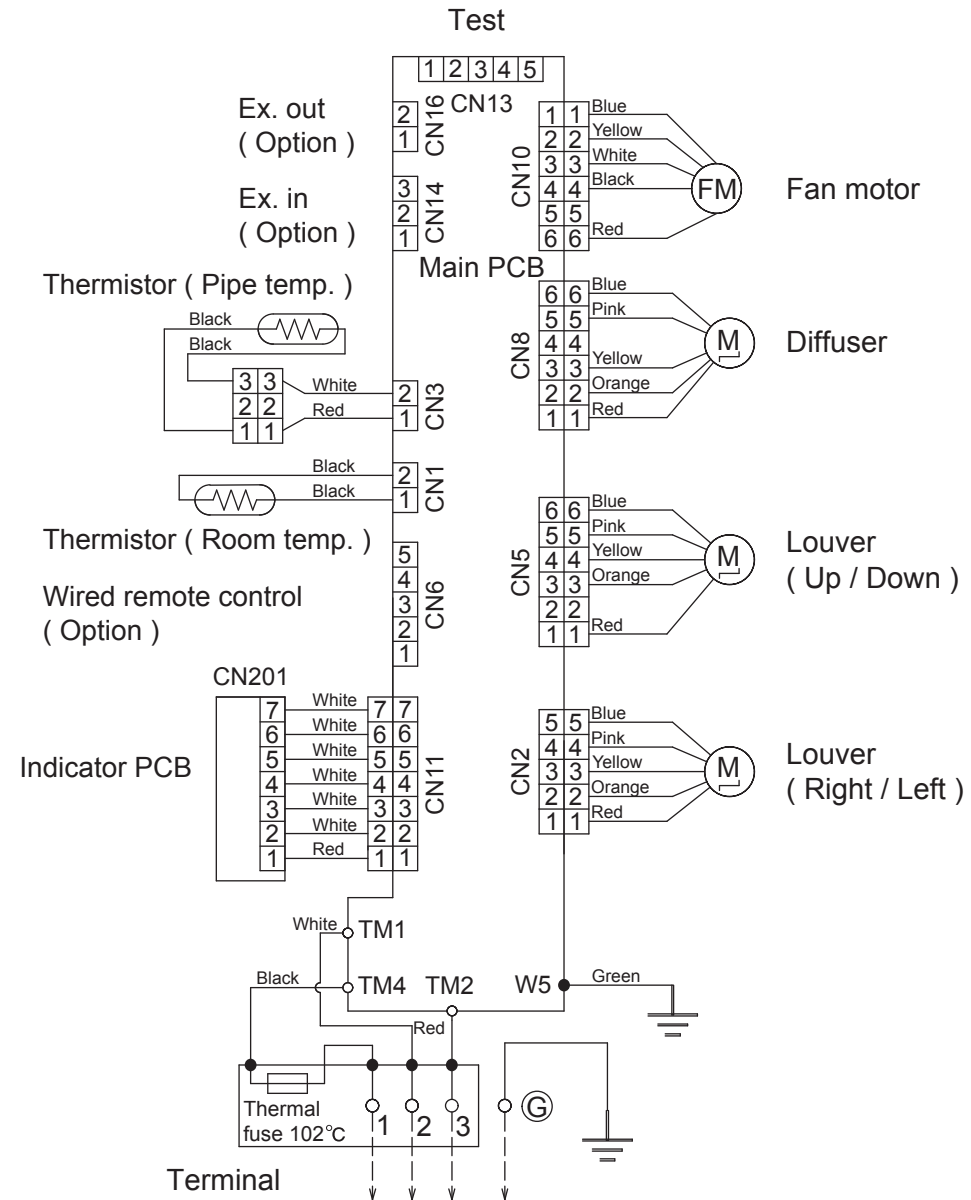
OUTDOOR UNIT
AOU36RLXFZ1



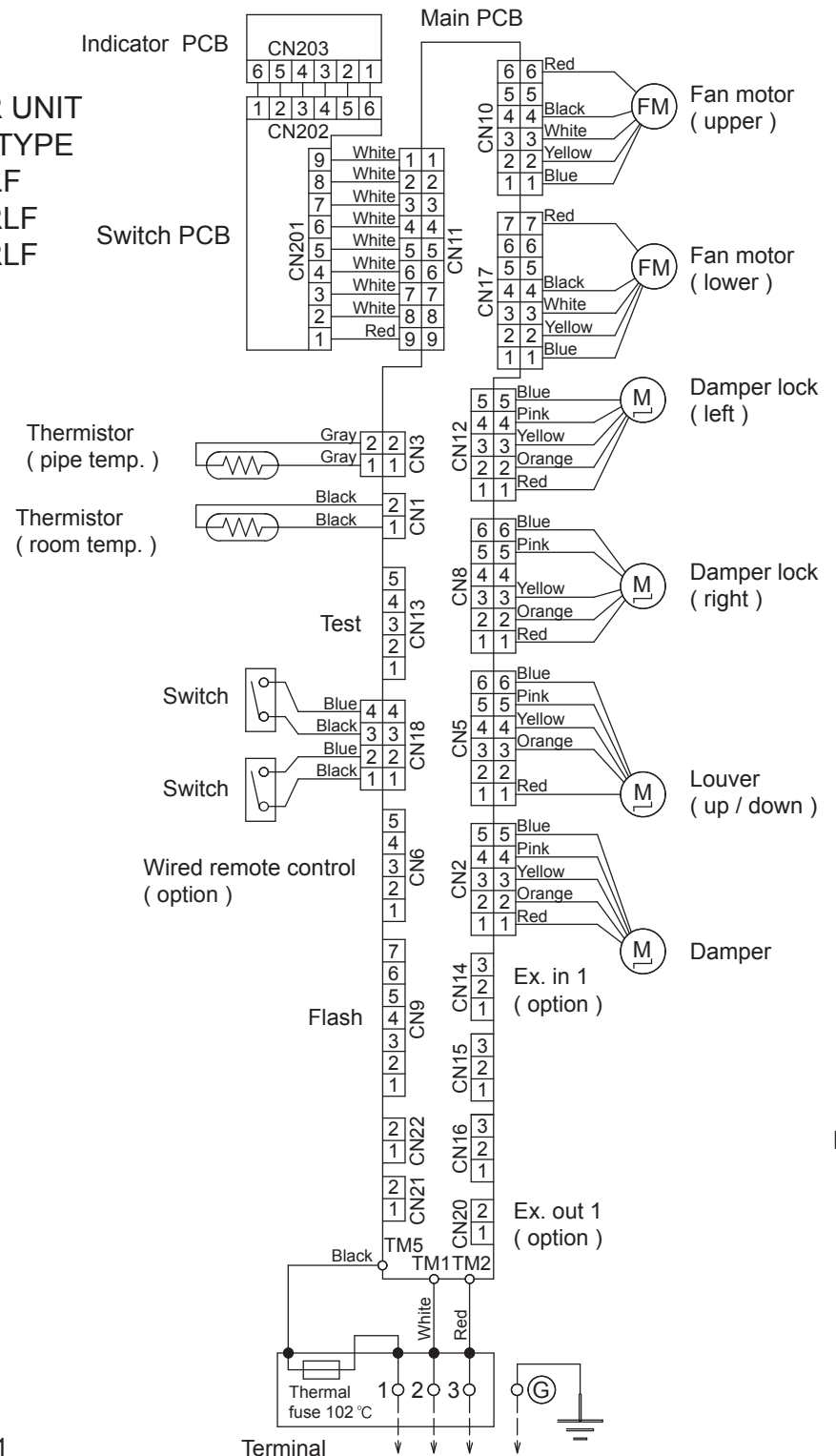
INDOOR UNIT
 COMPACT WALL MOUNTED
 ASU7RLF1
 ASU9RLF1
 ASU12RLF1
 ASU15RLF1



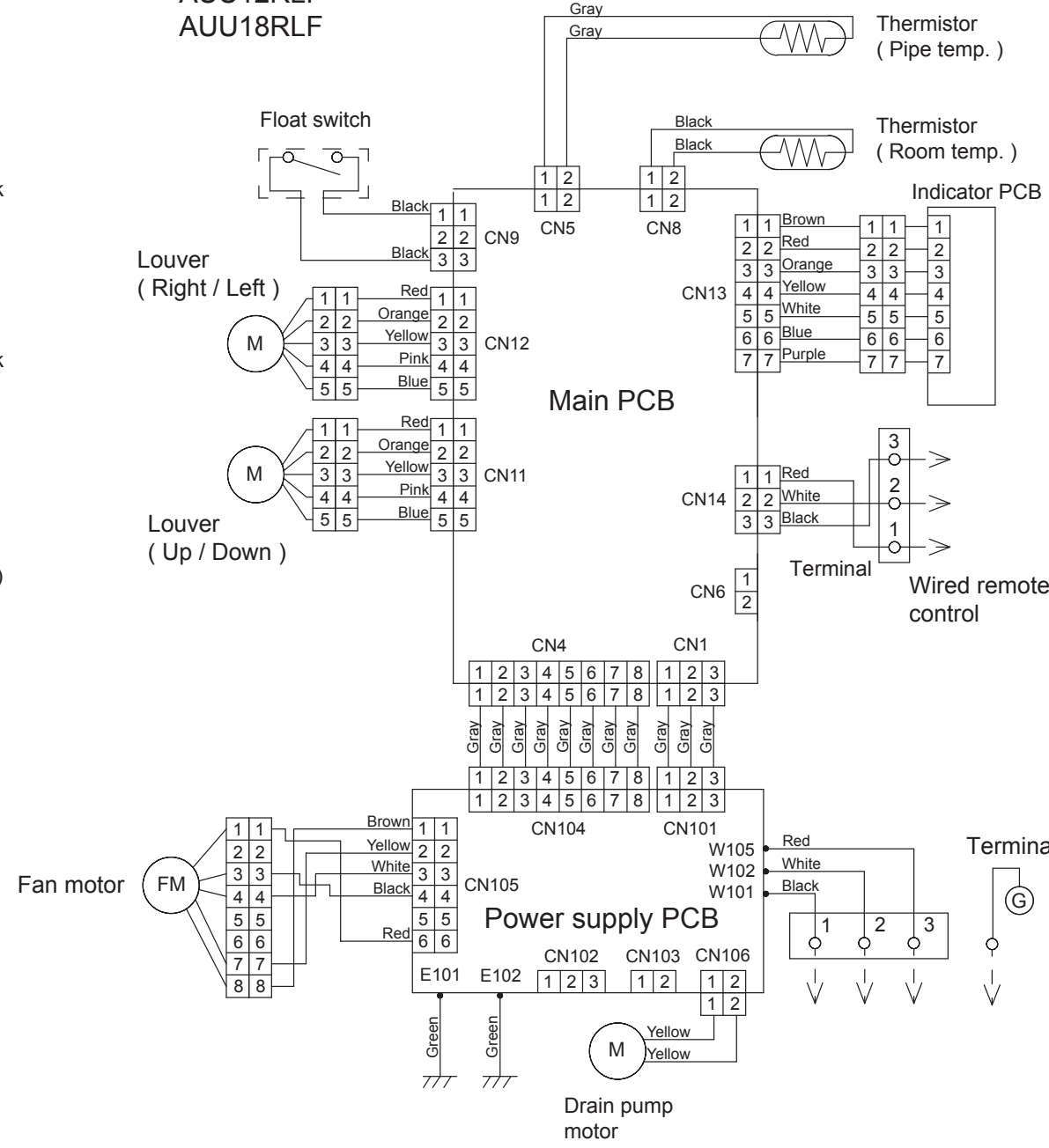
INDOOR UNIT
 WALL MOUNTED
 ASU18RLF
 ASU24RLF



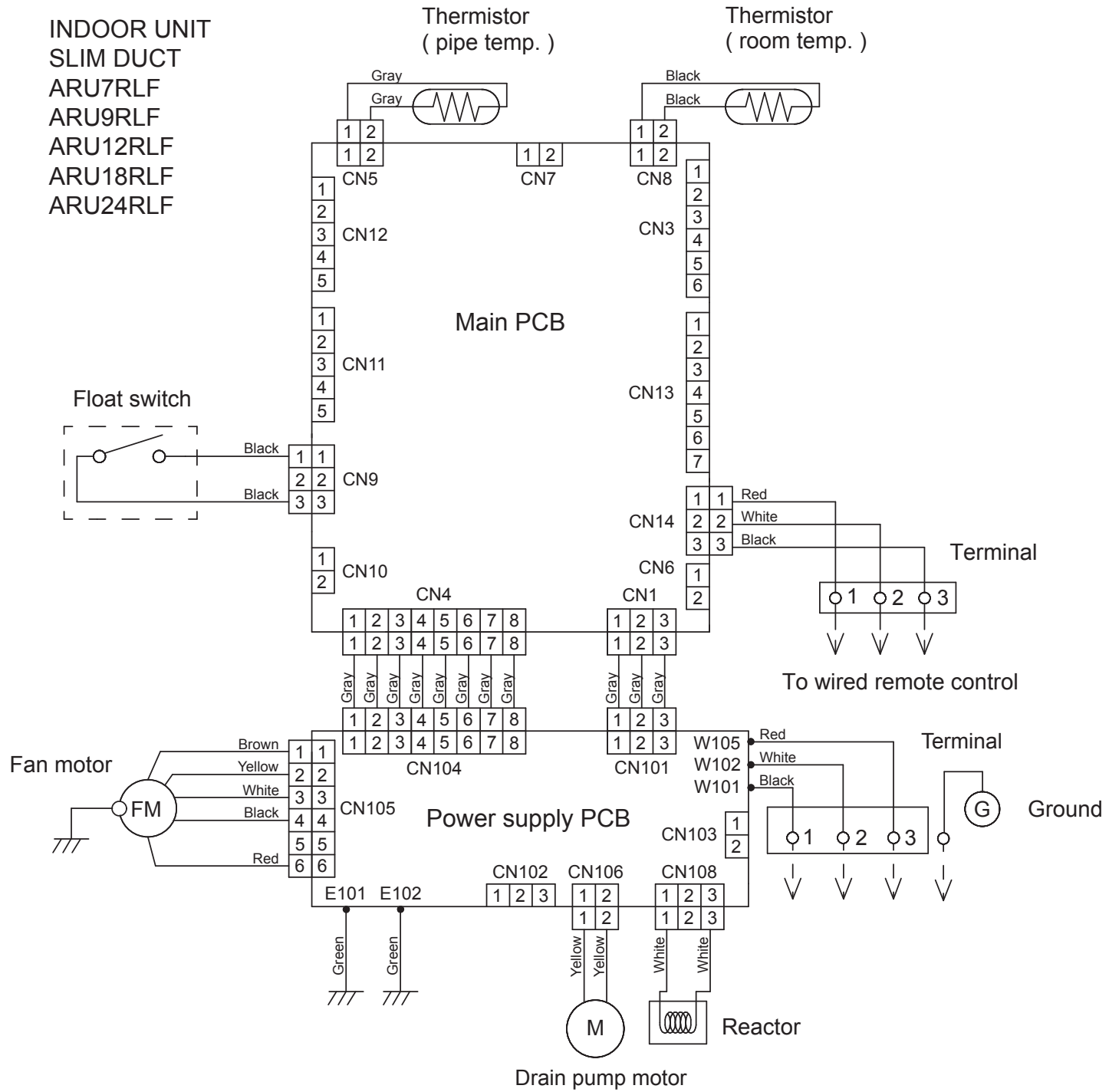
**INDOOR UNIT
FLOOR TYPE
AGU9RLF
AGU12RLF
AGU15RLF**



**INDOOR UNIT
COMPACT CASSETTE
AUU7RLF
AUU9RLF
AUU12RLF
AUU18RLF**

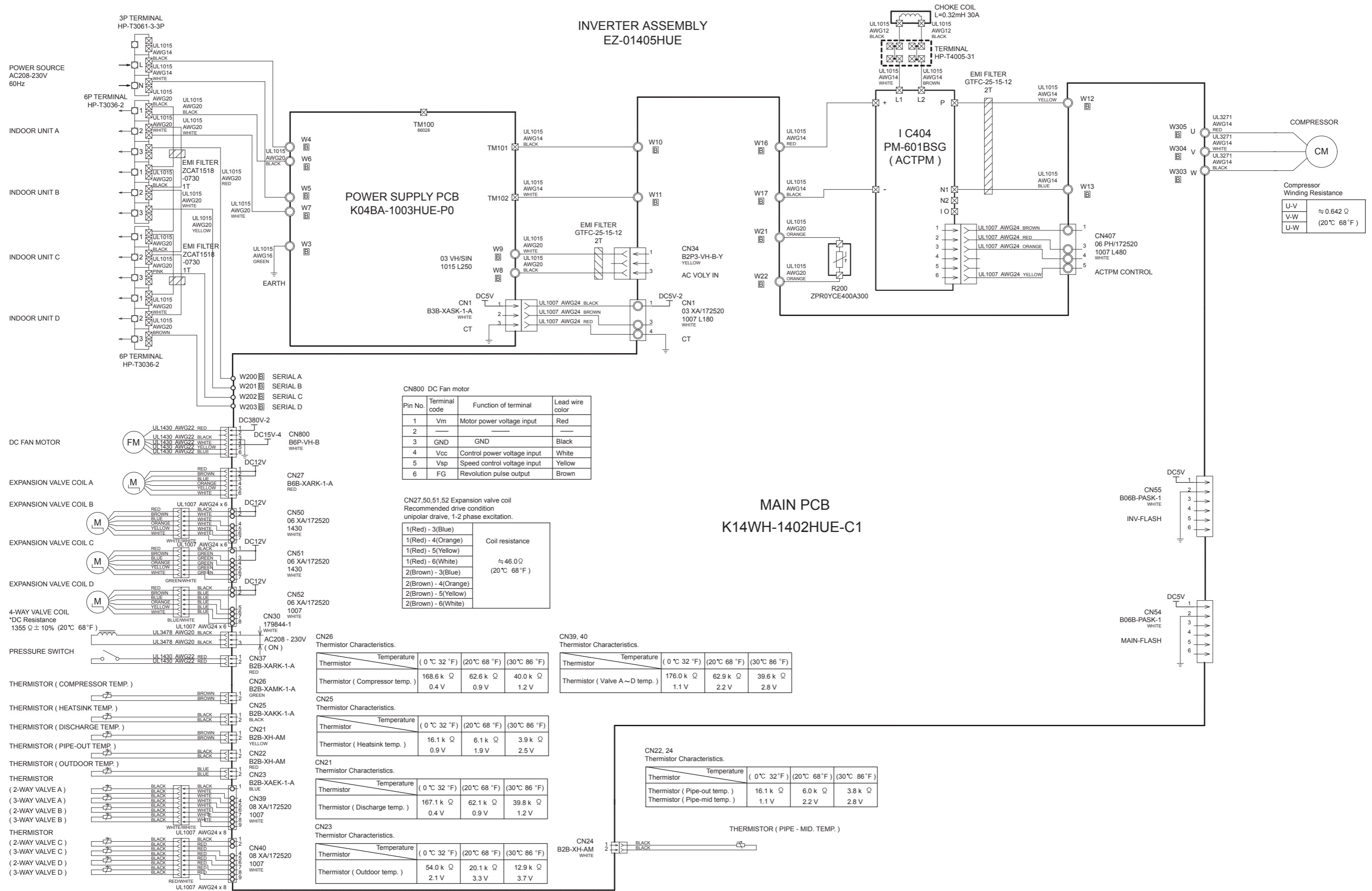


INDOOR UNIT
SLIM DUCT
ARU7RLF
ARU9RLF
ARU12RLF
ARU18RLF
ARU24RLF



OUTDOOR PCB CIRCUIT DIAGRAM

Model : AOU36RLXFZ1



CN800 DC Fan motor

Pin No.	Terminal code	Function of terminal	Lead wire color
1	Vm	Motor power voltage input	Red
2			
3	GND	GND	Black
4	Vcc	Control power voltage input	White
5	Vsp	Speed control voltage input	Yellow
6	FG	Revolution pulse output	Brown

CN27,50,51,52 Expansion valve coil
Recommended drive condition unipolar drive, 1-2 phase excitation.

Terminal Pair	Coil resistance (20°C 68°F)
1(Red) - 3(Blue)	≈ 46.0 Ω
1(Red) - 4(Orange)	
1(Red) - 5(Yellow)	
1(Red) - 6(White)	
2(Brown) - 3(Blue)	
2(Brown) - 4(Orange)	
2(Brown) - 5(Yellow)	
2(Brown) - 6(White)	

CN26 Thermistor Characteristics.

Thermistor	Temperature	(0 °C 32 °F)	(20°C 68 °F)	(30°C 86 °F)		
Thermistor (Compressor temp.)	168.6 k Ω	62.6 k Ω	40.0 k Ω	0.4 V	0.9 V	1.2 V

CN39, 40 Thermistor Characteristics.

Thermistor	Temperature	(0 °C 32 °F)	(20°C 68 °F)	(30°C 86 °F)		
Thermistor (Valve A ~ D temp.)	176.0 k Ω	62.9 k Ω	39.6 k Ω	1.1 V	2.2 V	2.8 V

CN25 Thermistor Characteristics.

Thermistor	Temperature	(0 °C 32 °F)	(20°C 68 °F)	(30°C 86 °F)		
Thermistor (Heatsink temp.)	16.1 k Ω	6.1 k Ω	3.9 k Ω	0.9 V	1.9 V	2.5 V

CN21 Thermistor Characteristics.

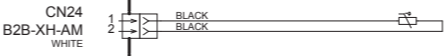
Thermistor	Temperature	(0 °C 32 °F)	(20°C 68 °F)	(30°C 86 °F)		
Thermistor (Discharge temp.)	167.1 k Ω	62.1 k Ω	39.8 k Ω	0.4 V	0.9 V	1.2 V

CN23 Thermistor Characteristics.

Thermistor	Temperature	(0 °C 32 °F)	(20°C 68 °F)	(30°C 86 °F)		
Thermistor (Outdoor temp.)	54.0 k Ω	20.1 k Ω	12.9 k Ω	2.1 V	3.3 V	3.7 V

CN22, 24 Thermistor Characteristics.

Thermistor	Temperature	(0 °C 32 °F)	(20°C 68 °F)	(30°C 86 °F)		
Thermistor (Pipe-out temp.)	16.1 k Ω	6.0 k Ω	3.8 k Ω	1.1 V	2.2 V	2.8 V
Thermistor (Pipe-mid temp.)						



INDOOR PCB CIRCUIT DIAGRAM

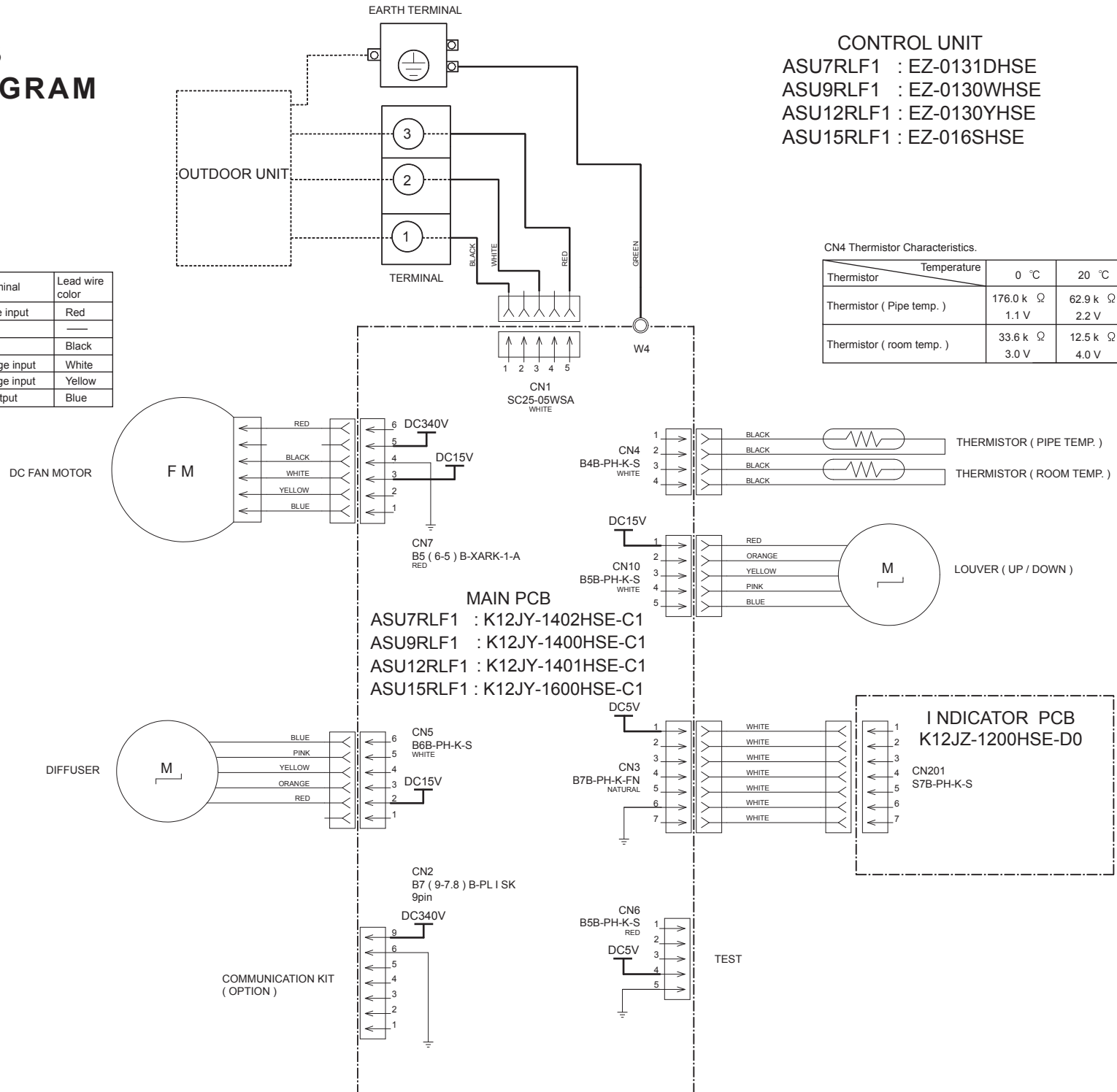
CONTROL UNIT
 ASU7RLF1 : EZ-0131DHSE
 ASU9RLF1 : EZ-0130WHSE
 ASU12RLF1 : EZ-0130YHSE
 ASU15RLF1 : EZ-016SHSE

CN7 DC Fan motor

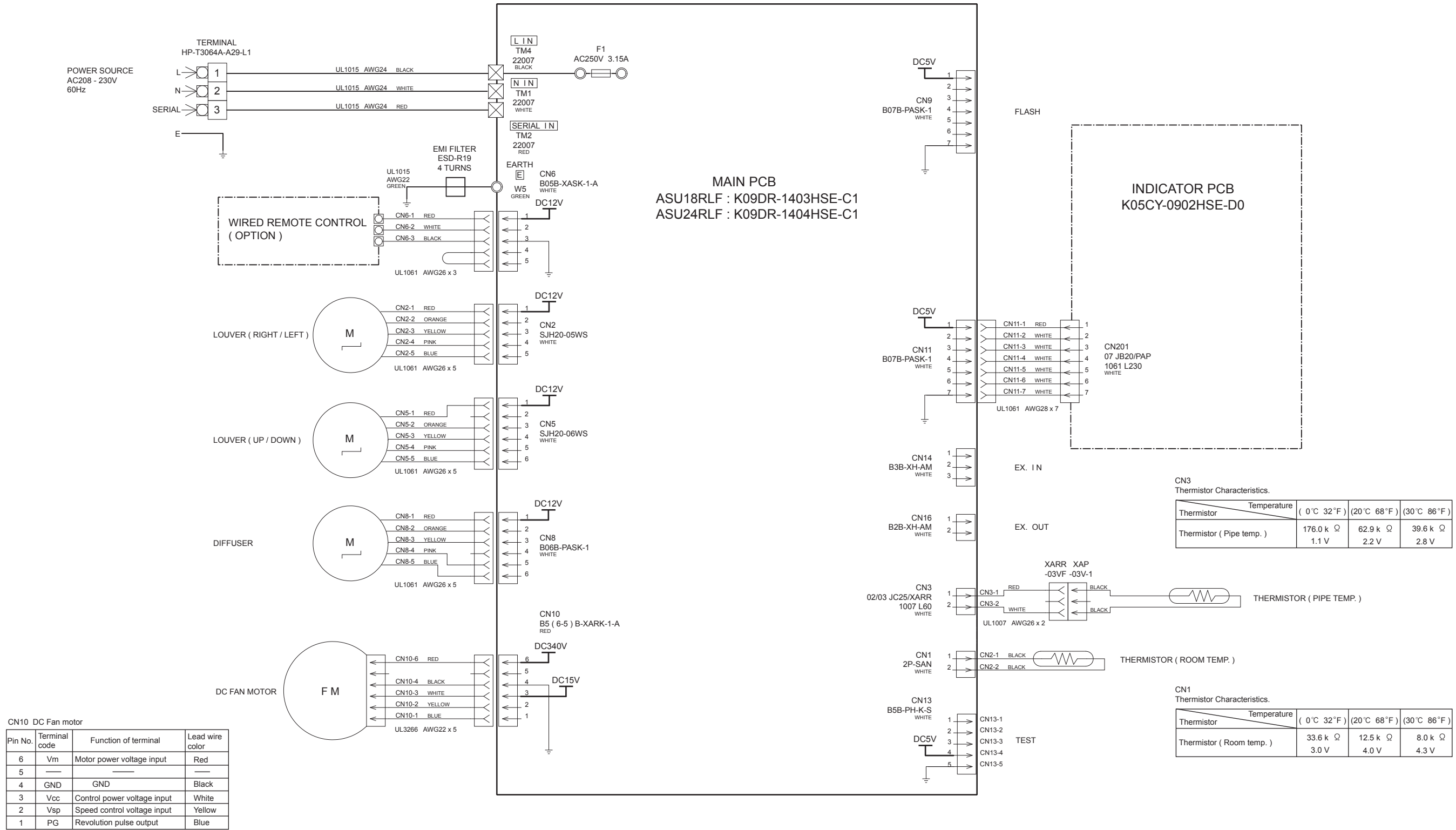
Pin No.	Terminal code	Function of terminal	Lead wire color
6	Vm	Motor power voltage input	Red
5	—	—	—
4	GND	GND	Black
3	Vcc	Control power voltage input	White
2	Vsp	Speed control voltage input	Yellow
1	PG	Revolution pulse output	Blue

CN4 Thermistor Characteristics.

Thermistor	Temperature		
	0 °C	20 °C	30 °C
Thermistor (Pipe temp.)	176.0 k Ω 1.1 V	62.9 k Ω 2.2 V	39.6 k Ω 2.8 V
Thermistor (room temp.)	33.6 k Ω 3.0 V	12.5 k Ω 4.0 V	8.0 k Ω 4.3 V



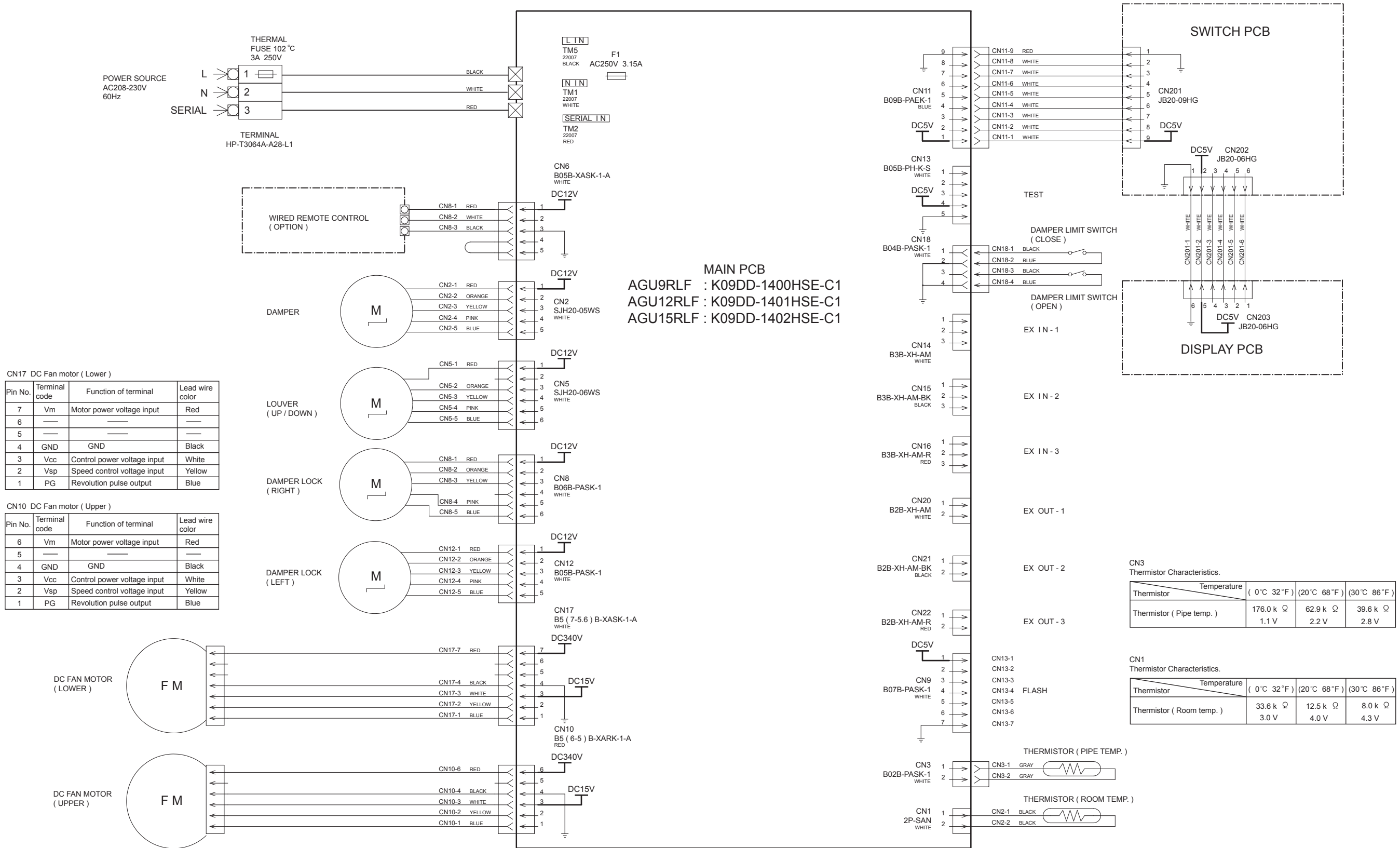
CONTROL UNIT
 ASU18RLF : EZ-0090DHSE
 ASU24RLF : EZ-0104HSE



CONTROL UNIT

AGU9RLF : EZ-01302HSE
 AGU12RLF : EZ-01303HSE
 AGU15RLF : EZ-01304HSE

INDICATOR PCB (SWITCH + DISPLAY)
 K06DD-0801HSE-F0



CN17 DC Fan motor (Lower)

Pin No.	Terminal code	Function of terminal	Lead wire color
7	Vm	Motor power voltage input	Red
6	---	---	---
5	---	---	---
4	GND	GND	Black
3	Vcc	Control power voltage input	White
2	Vsp	Speed control voltage input	Yellow
1	PG	Revolution pulse output	Blue

CN10 DC Fan motor (Upper)

Pin No.	Terminal code	Function of terminal	Lead wire color
6	Vm	Motor power voltage input	Red
5	---	---	---
4	GND	GND	Black
3	Vcc	Control power voltage input	White
2	Vsp	Speed control voltage input	Yellow
1	PG	Revolution pulse output	Blue

CN3 Thermistor Characteristics.

Thermistor	Temperature (0°C 32°F)	(20°C 68°F)	(30°C 86°F)
Thermistor (Pipe temp.)	176.0 k Ω	62.9 k Ω	39.6 k Ω
	1.1 V	2.2 V	2.8 V

CN1 Thermistor Characteristics.

Thermistor	Temperature (0°C 32°F)	(20°C 68°F)	(30°C 86°F)
Thermistor (Room temp.)	33.6 k Ω	12.5 k Ω	8.0 k Ω
	3.0 V	4.0 V	4.3 V

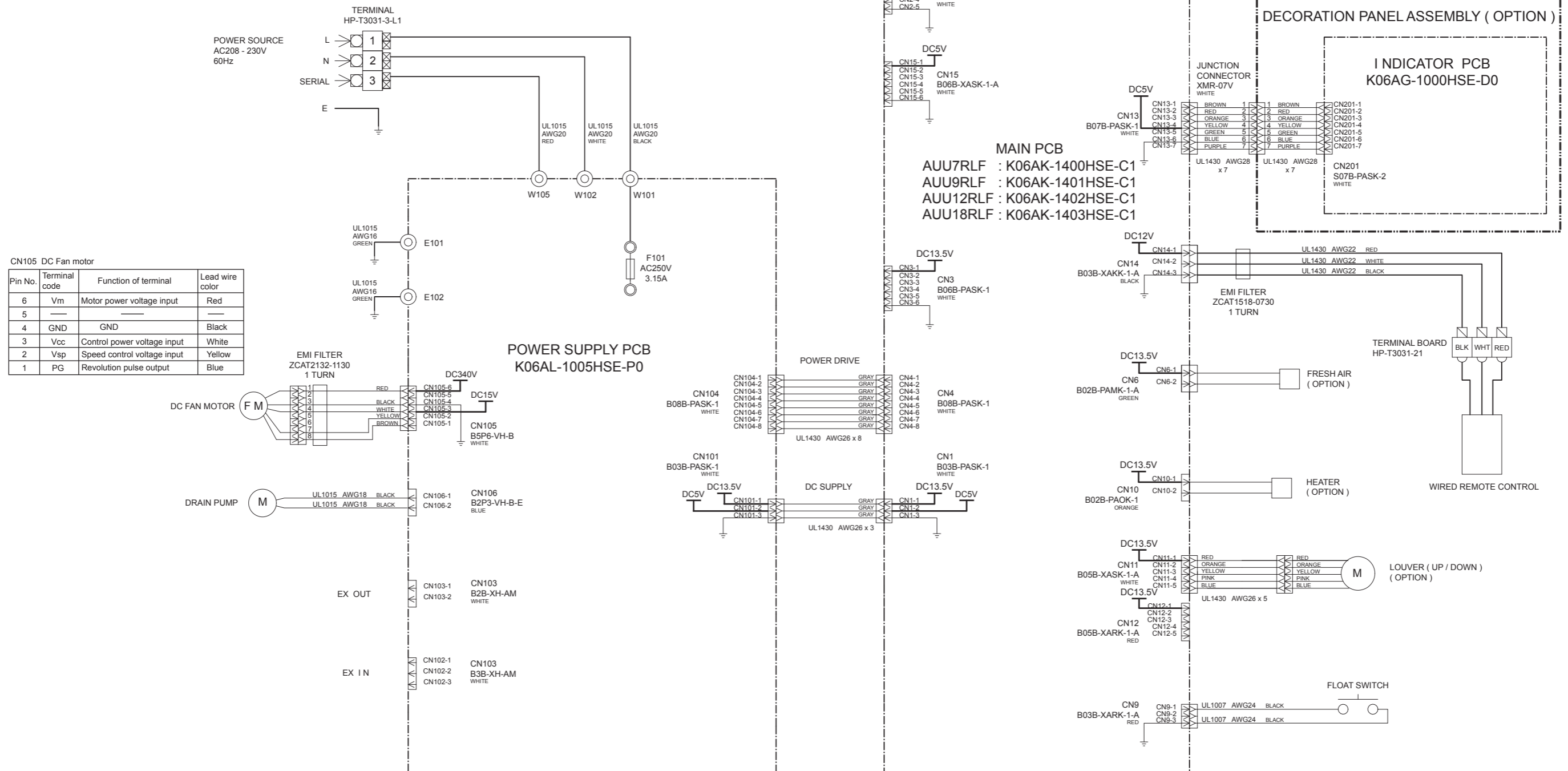
CN8
Thermistor Characteristics.

Thermistor	Temperature	(0°C 32°F)	(20°C 68°F)	(30°C 86°F)
Thermistor (Room temp.)		33.6 k Ω	12.5 k Ω	8.0 k Ω
		3.0 V	4.0 V	4.3 V

CN5
Thermistor Characteristics.

Thermistor	Temperature	(0°C 32°F)	(20°C 68°F)	(30°C 86°F)
Thermistor (Pipe temp.)		168.6 k Ω	62.5 k Ω	40.0 k Ω
		1.1 V	2.2 V	2.8 V

CONTROL UNIT
 AUU7RLF : EZ-0131CHSE
 AUU9RLF : EZ-0100HSE
 AUU12RLF : EZ-0105HSE
 AUU18RLF : EZ-0106HSE



CN105 DC Fan motor

Pin No.	Terminal code	Function of terminal	Lead wire color
6	Vm	Motor power voltage input	Red
5			
4	GND	GND	Black
3	Vcc	Control power voltage input	White
2	Vsp	Speed control voltage input	Yellow
1	PG	Revolution pulse output	Blue

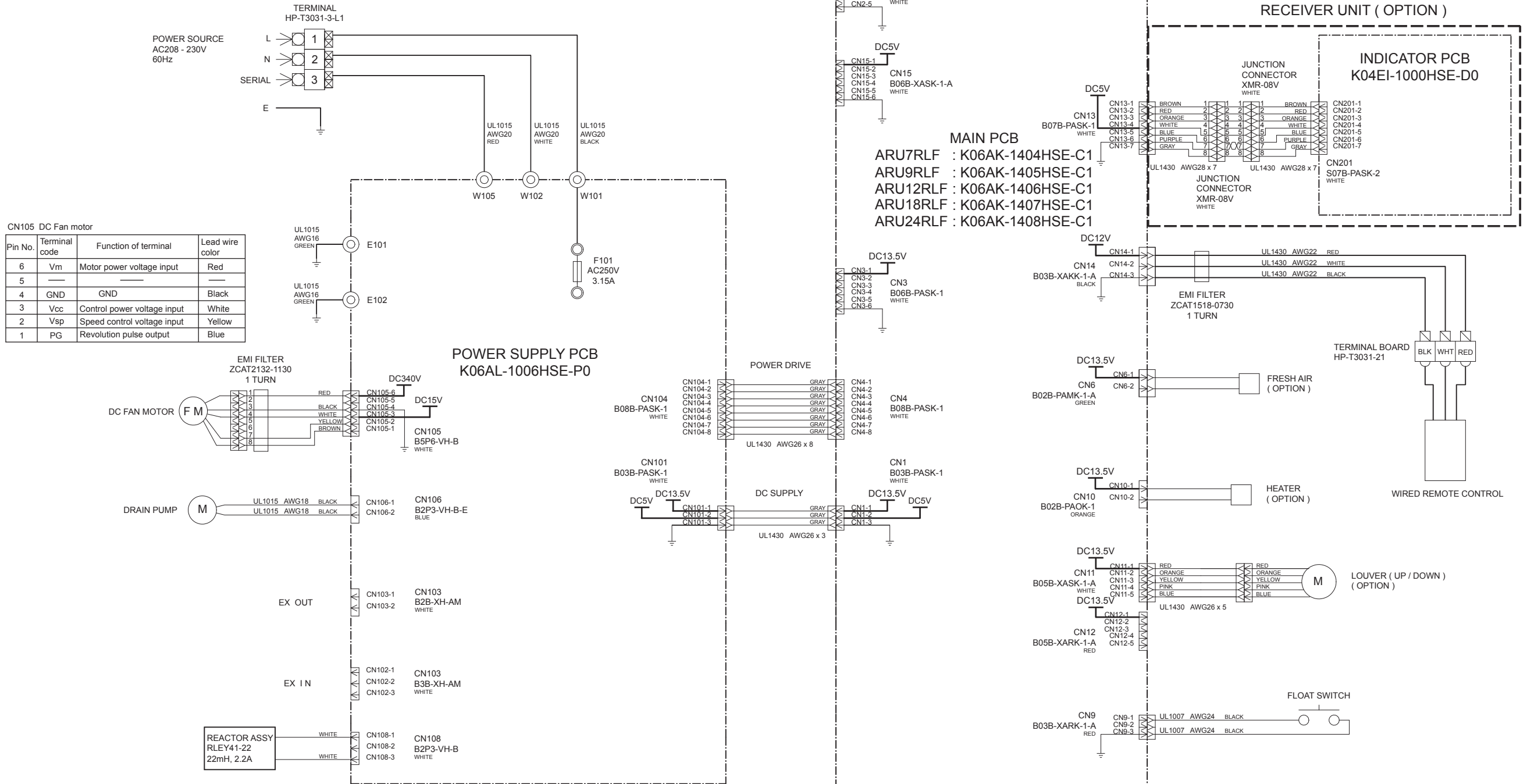
CONTROL UNIT
 ARU7RLF : EZ-0131BHSE
 ARU9RLF : EZ-01123HSE
 ARU12RLF : EZ-01124HSE
 ARU18RLF : EZ-01125HSE
 ARU24RLF : EZ-01126HSE

CN8
 Thermistor Characteristics.

Thermistor	Temperature	(0°C 32°F)	(20°C 68°F)	(30°C 86°F)
Thermistor (Room temp.)		33.6 k Ω 3.0 V	12.5 k Ω 4.0 V	8.0 k Ω 4.3 V

CN5
 Thermistor Characteristics.

Thermistor	Temperature	(0°C 32°F)	(20°C 68°F)	(30°C 86°F)
Thermistor (Pipe temp.)		168.6 k Ω 1.1 V	62.5 k Ω 2.2 V	40.0 k Ω 2.8 V

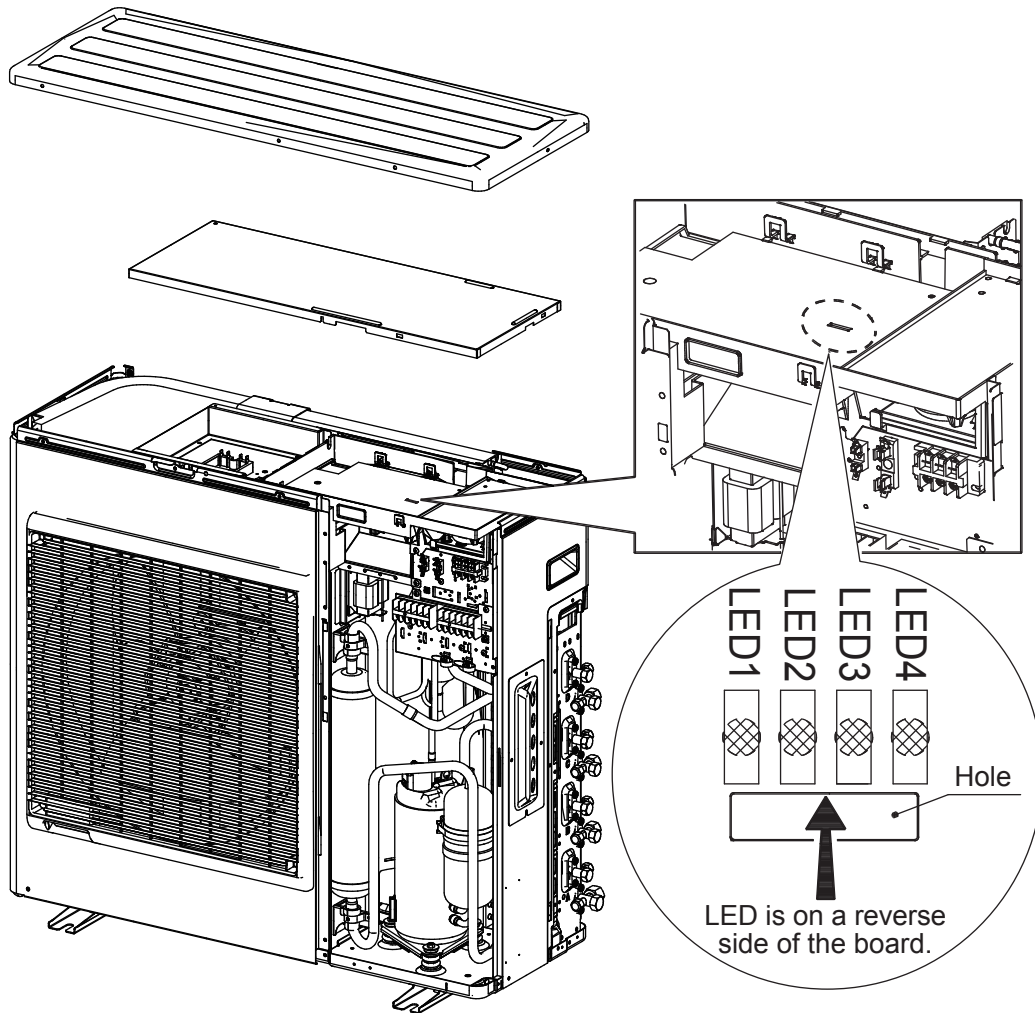


● : flashing

— : Off

ERROR DETECTION

OUTDOOR UNIT
AOU36RLXFZ1



	LED 1	LED 2	LED 3	LED 4
Discharge pipe thermistor	● 2 times	—	—	—
Outdoor unit, heat exchanger thermistor (middle)	● 3 times	—	—	—
Outdoor thermistor error	● 4 times	—	—	—
2-way valve thermistor (indoor unit A)	● 5 times	—	—	—
2-way valve thermistor (indoor unit B)	—	● 5 times	—	—
2-way valve thermistor (indoor unit C)	—	—	● 5 times	—
2-way valve thermistor (indoor unit D)	—	—	—	● 5 times
3-way valve thermistor (indoor unit A)	● 6 times	—	—	—
3-way valve thermistor (indoor unit B)	—	● 6 times	—	—
3-way valve thermistor (indoor unit C)	—	—	● 6 times	—
3-way valve thermistor (indoor unit D)	—	—	—	● 6 times
Compressor thermistor error	● 7 times	—	—	—
Heatsink thermistor error	● 8 times	—	—	—
High pressure switch 1 error	● 9 times	—	—	—
High pressure switch 2 error	● 10 times	—	—	—
Indoor unit capacity error	● 11 times	—	—	—
Trip detection	● 12 times	—	—	—
Compressor rotor position detection error	● 13 times	—	—	—
Trip terminal L error	● 14 times	—	—	—
Outdoor unit fan motor error	● 15 times	—	—	—
Outdoor unit PCB microcomputer communication error	● 17 times	—	—	—
Discharge temperature error	● 18 times	—	—	—
Compressor temperature error	● 19 times	—	—	—
4-way valve error	● 20 times	—	—	—
Outdoor unit PCB model information error	● 21 times	—	—	—
Active filter error, PFC circuit error	● 22 times	—	—	—

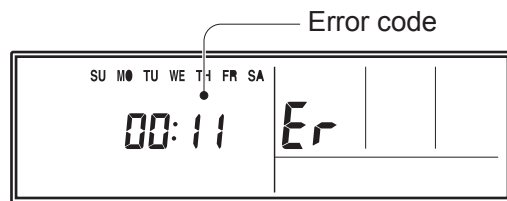
INDOOR UNIT and WIRED REMOTE CONTROL

If you use a wireless remote control, the lamp on the photo detector unit will output error codes by way of blinking patterns.

If you use a wired type remote control, error codes will appear on the remote control display. See the lamp blinking patterns and error codes in the table. An error display is displayed only during running.

This is possible only on a wired remote control.

If an error occurs, the following display will be shown. ("Er" will appear in the set room temperature display.)



EX. Self-diagnosis

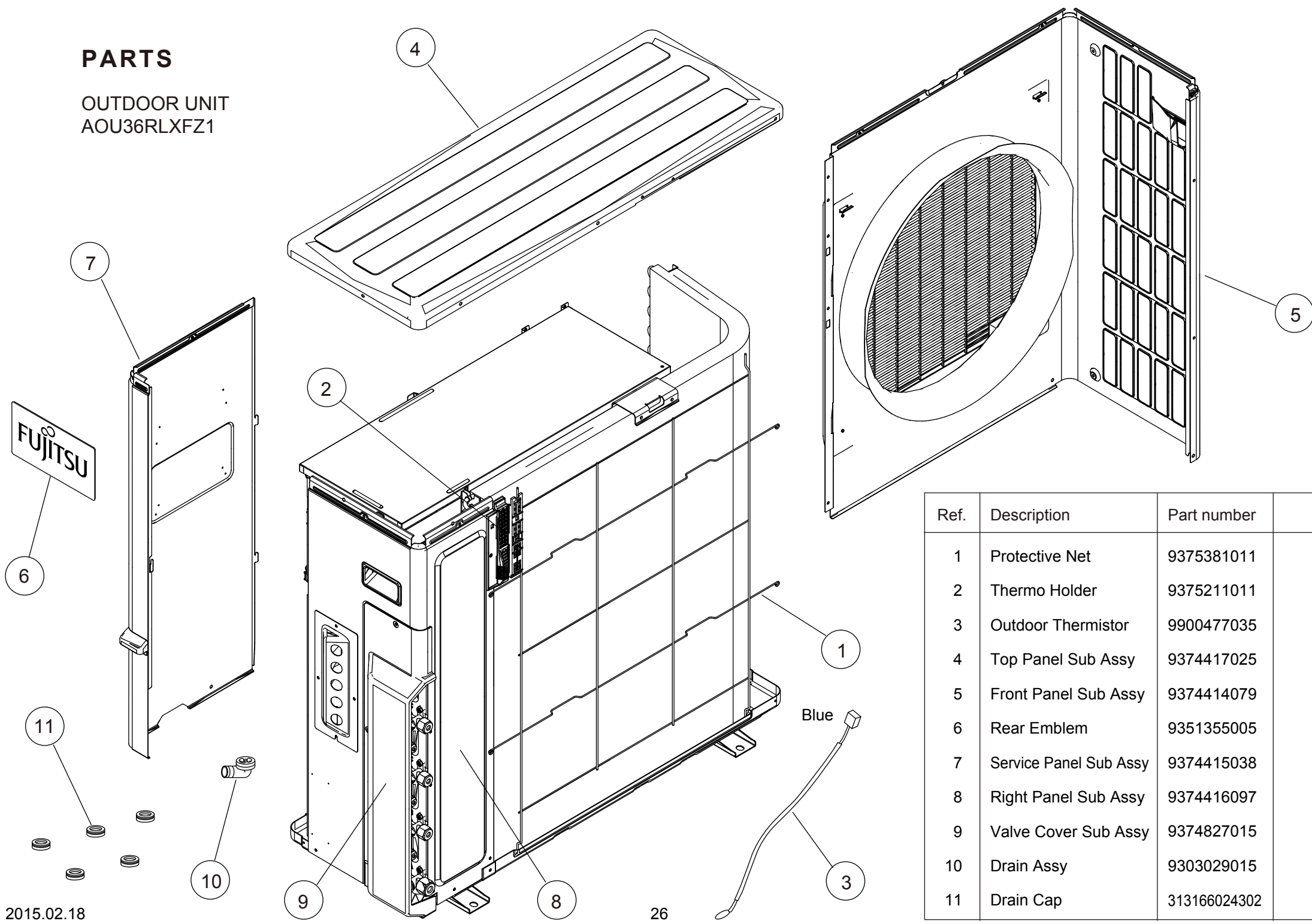
- : 0.5s on / 0.5s off
- ◇ : 0.1s on / 0.1s off
- () : Number of flashing

Indoor unit			Wired remote control	Description
OPERATION lamp (green)	TIMER lamp (orange)	ECONOMY lamp (green)		
●(1)	●(1)	◇	11	Serial communication error
●(1)	●(2)	◇	12	Wired remote control communication error
●(1)	●(5)	◇	15	Check run unfinished
●(2)	●(1)	◇	21	Unit number or Refrigerant circuit address setting error [Simultaneous Multi]
●(2)	●(2)	◇	22	Indoor unit capacity error
●(2)	●(3)	◇	23	Combination error
●(2)	●(4)	◇	24	• Connection unit number error (indoor slave unit) [Simultaneous Multi] • Connection unit number error (indoor unit or branch unit) [Flexible Multi]
●(2)	●(7)	◇	27	Master unit, slave unit set-up error [Simultaneous Multi]
●(3)	●(2)	◇	32	Indoor unit PCB model information error
●(3)	●(5)	◇	35	Manual auto switch error
●(4)	●(1)	◇	41	Inlet air temp. sensor error
●(4)	●(2)	◇	42	Indoor unit Heat Ex. Middle temp. sensor error
●(5)	●(1)	◇	51	Indoor unit fan motor error
●(5)	●(3)	◇	53	Drain pump error
●(5)	●(7)	◇	57	Damper error
●(5)	●(15)	◇	5U	Indoor unit error
●(6)	●(2)	◇	62	Outdoor unit main PCB model information error or communication error
●(6)	●(3)	◇	63	Inverter error
●(6)	●(4)	◇	64	Active filter error, PFC circuit error
●(6)	●(5)	◇	65	Trip terminal L error

Indoor unit			Wired remote control	Description
OPERATION lamp (green)	TIMER lamp (orange)	ECONOMY lamp (green)		
●(6)	●(10)	◇	6A	Display PCB microcomputers communication error
●(7)	●(1)	◇	71	Discharge temp. sensor error
●(7)	●(2)	◇	72	Compressor temp. sensor error
●(7)	●(3)	◇	73	Outdoor unit Heat Ex. liquid temp. sensor error
●(7)	●(4)	◇	74	Outdoor temp. sensor error
●(7)	●(5)	◇	75	Suction Gas temp. sensor error
●(7)	●(6)	◇	76	• 2-way valve temp. sensor error • 3-way valve temp. sensor error
●(7)	●(7)	◇	77	Heat sink temp. sensor error
●(8)	●(2)	◇	82	• Sub-cool Heat Ex. gas inlet temp. sensor error • Sub-cool Heat Ex. gas outlet temp. sensor error
●(8)	●(3)	◇	83	Liquid pipe temp. sensor error
●(8)	●(4)	◇	84	Current sensor error
●(8)	●(6)	◇	86	• Discharge pressure sensor error • Suction pressure sensor error • High pressure switch error
●(9)	●(4)	◇	94	Trip detection
●(9)	●(5)	◇	95	Compressor rotor position detection error (permanent stop)
●(9)	●(7)	◇	97	Outdoor unit fan motor error
●(9)	●(9)	◇	99	4-way valve error
●(10)	●(1)	◇	A1	Discharge temp. error
●(10)	●(3)	◇	A3	Compressor temp. error
●(10)	●(4)	◇	A4	High pressure error
●(10)	●(5)	◇	A5	Low pressure error
●(13)	●(2)	◇	J2	Branch boxes error [Flexible Multi]

PARTS

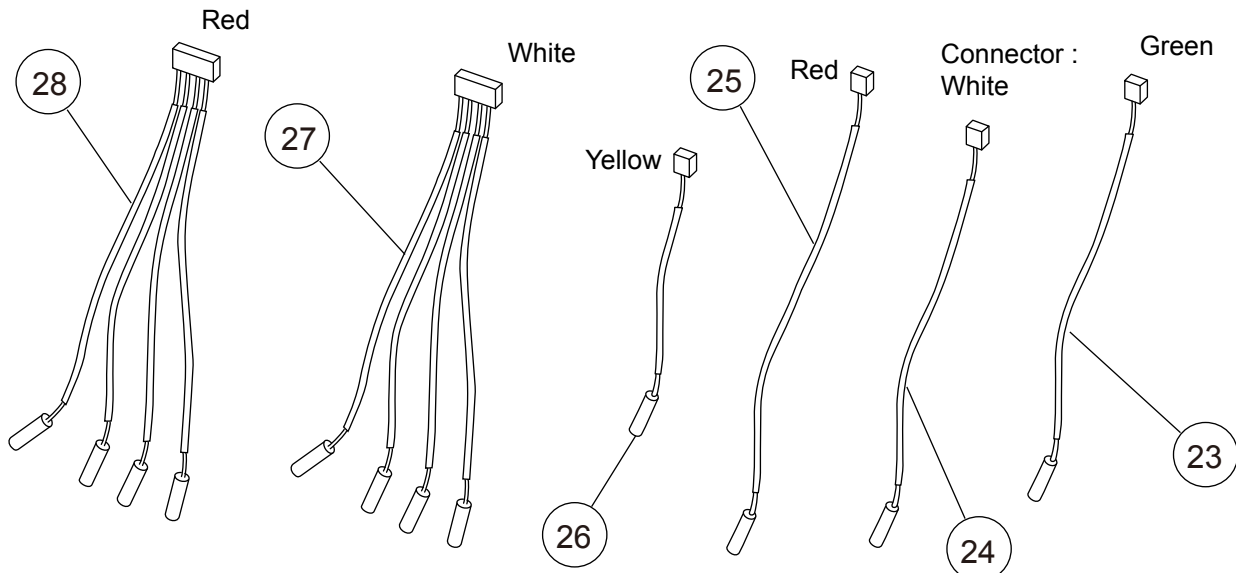
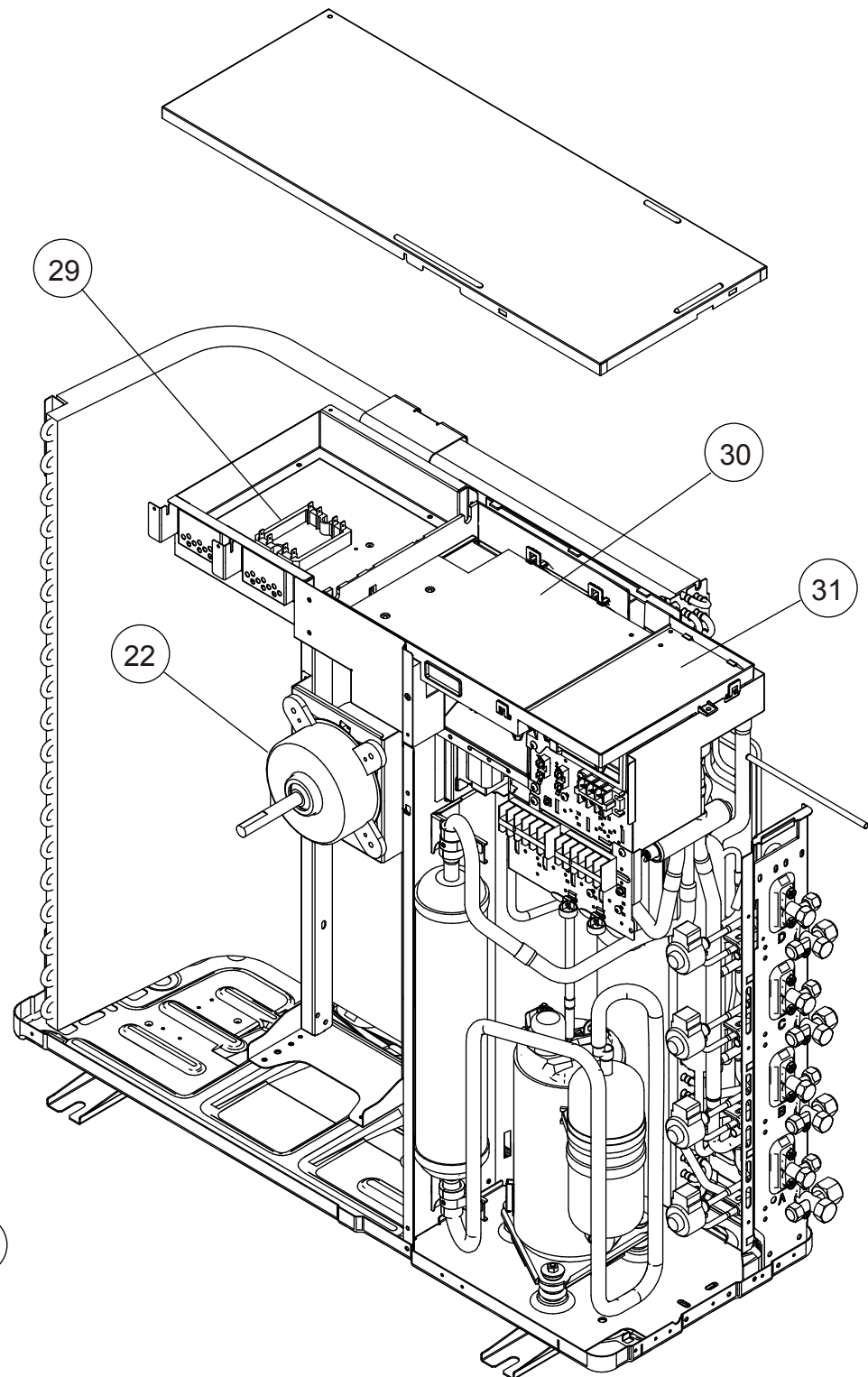
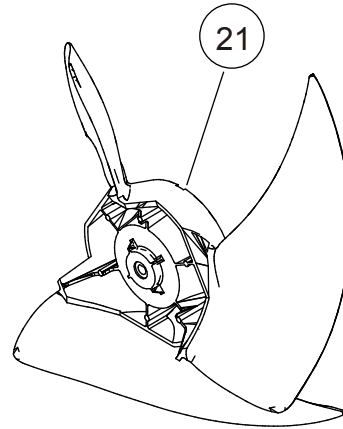
OUTDOOR UNIT
AOU36RLXFZ1



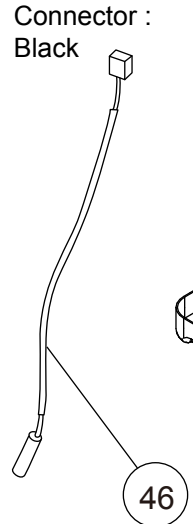
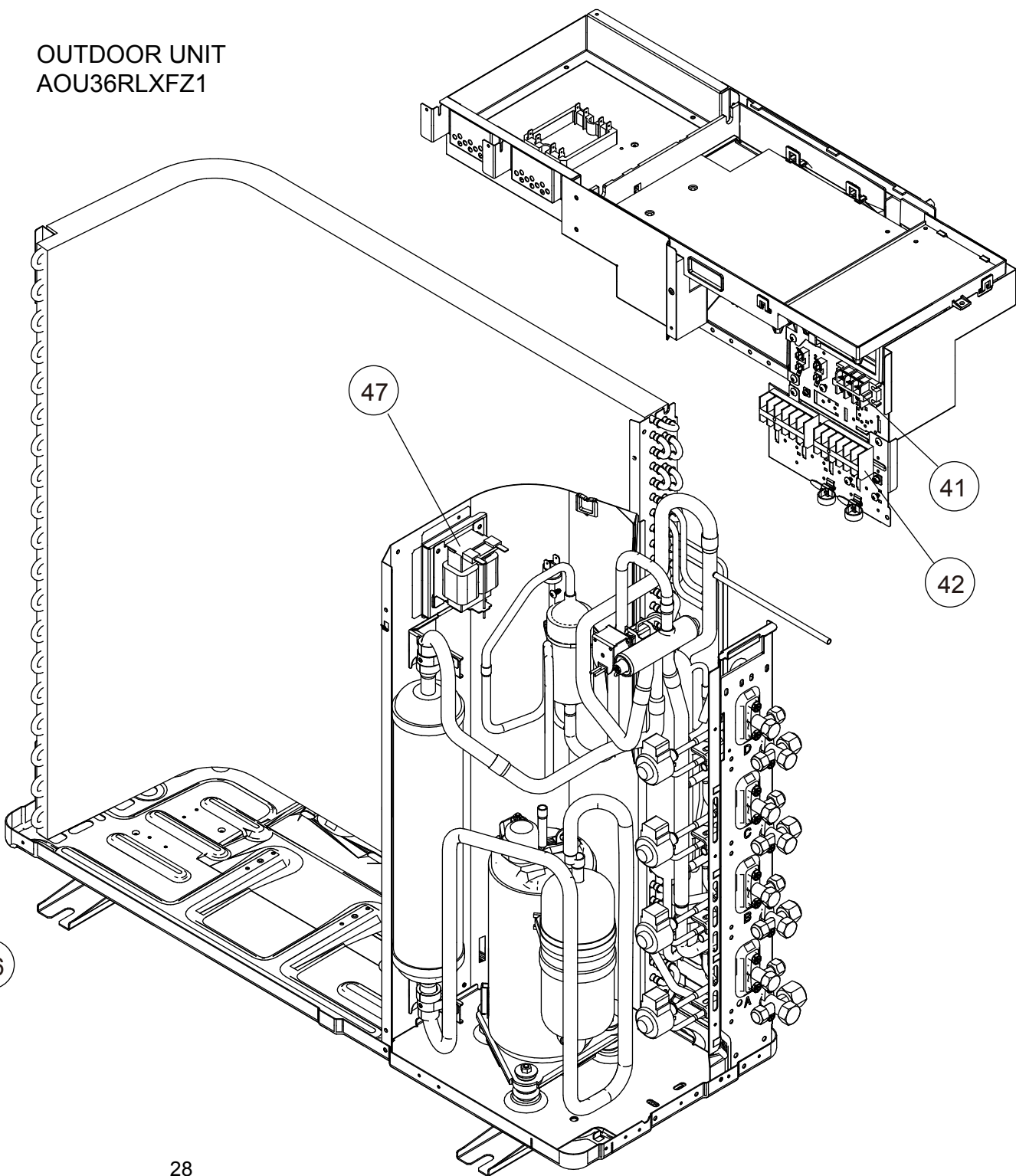
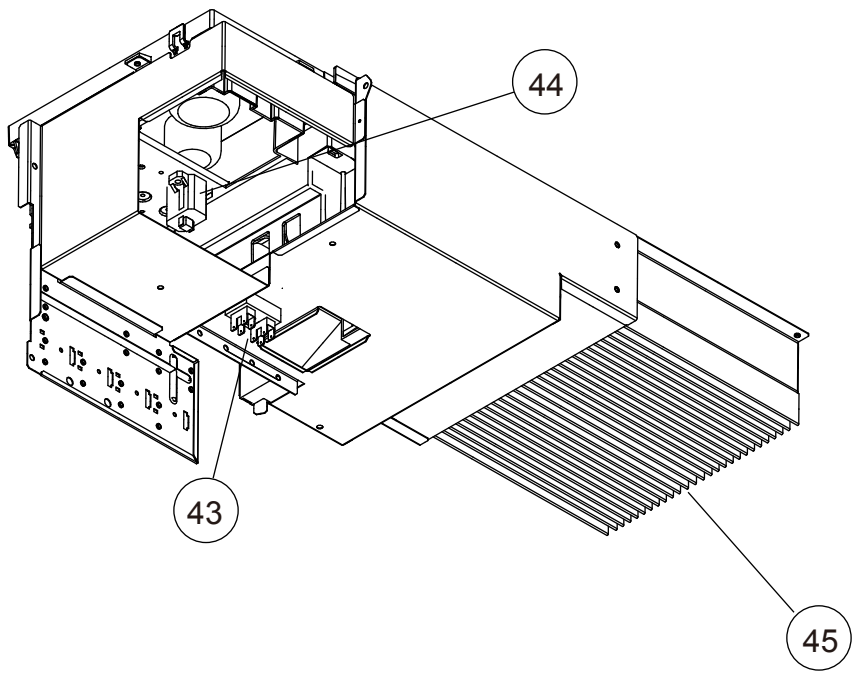
Ref.	Description	Part number
1	Protective Net	9375381011
2	Thermo Holder	9375211011
3	Outdoor Thermistor	9900477035
4	Top Panel Sub Assy	9374417025
5	Front Panel Sub Assy	9374414079
6	Rear Emblem	9351355005
7	Service Panel Sub Assy	9374415038
8	Right Panel Sub Assy	9374416097
9	Valve Cover Sub Assy	9374827015
10	Drain Assy	9303029015
11	Drain Cap	313166024302

Ref.	Description	Part number
21	Propeller fan	9366378020
22	Fan Motor	9602843039
23	Compressor Thermistor	9900156084
24	Heat Ex. Thermistor (Middle)	9900878009
25	Heat Ex. Thermistor (Outlet)	9900492014
26	Discharge Thermistor	9900621018
27	Pipe Thermistor	9900543020
28	Pipe Thermistor	9900543013
29	ACTPM	9707592016
30	Main PCB	9710113024
31	Power Supply PCB	9709893098

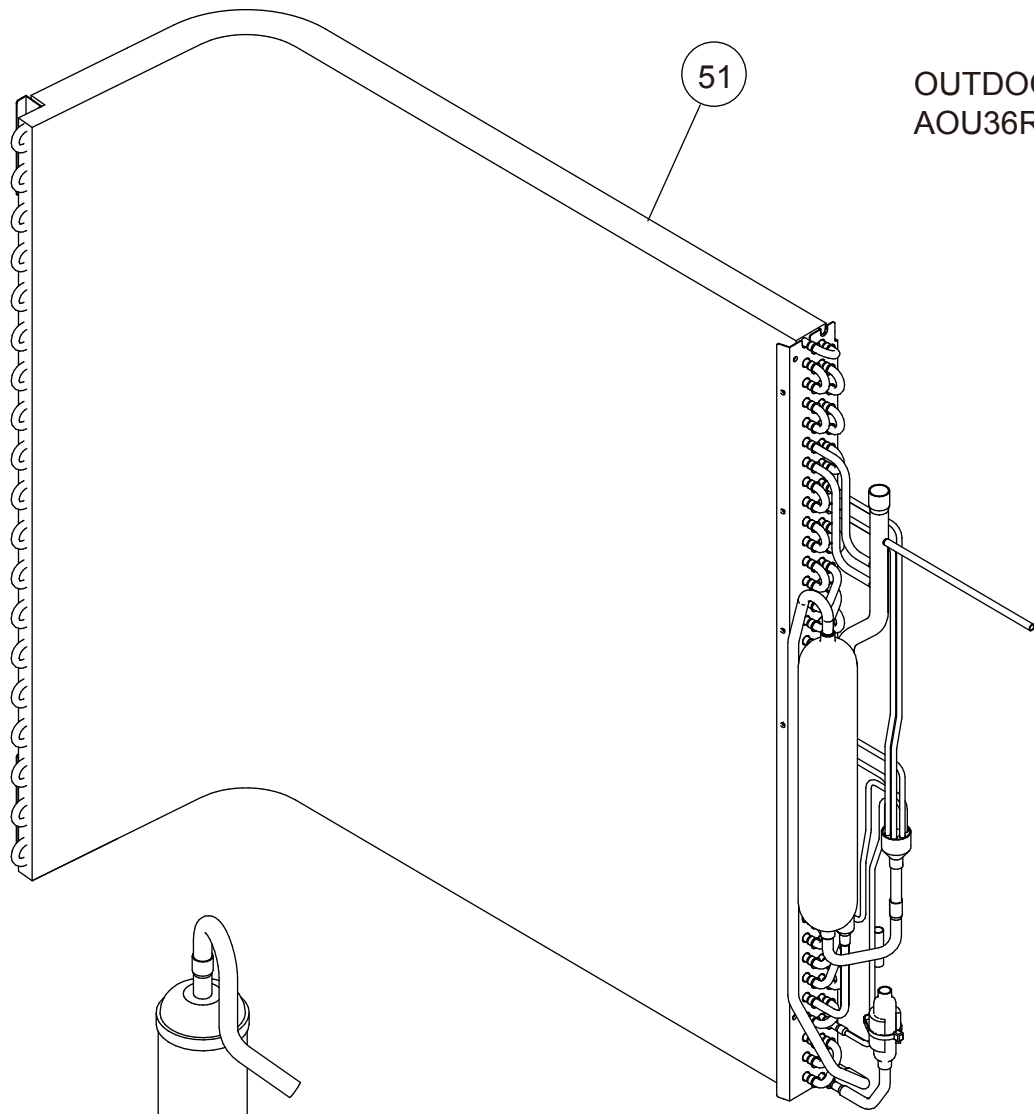
OUTDOOR UNIT
AOU36RLXFZ1



OUTDOOR UNIT
AOU36RLXFZ1

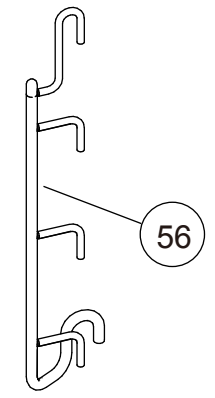
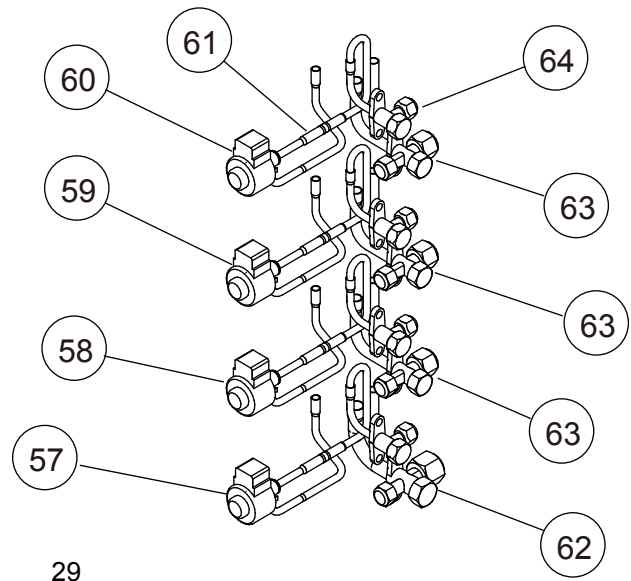
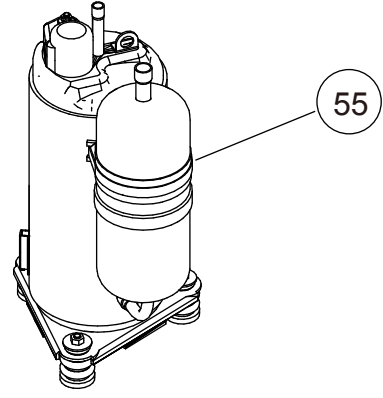
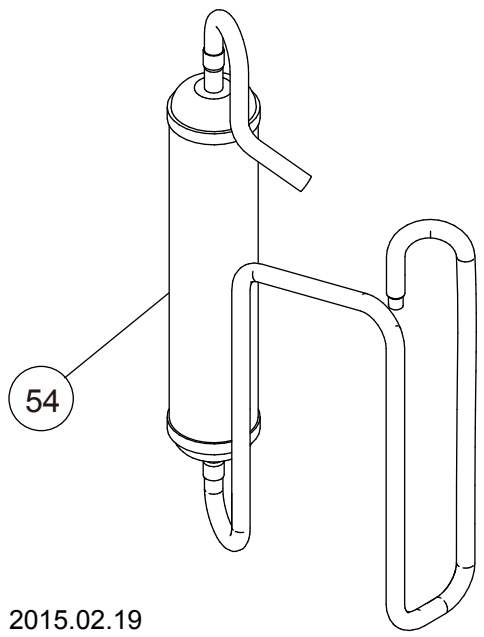
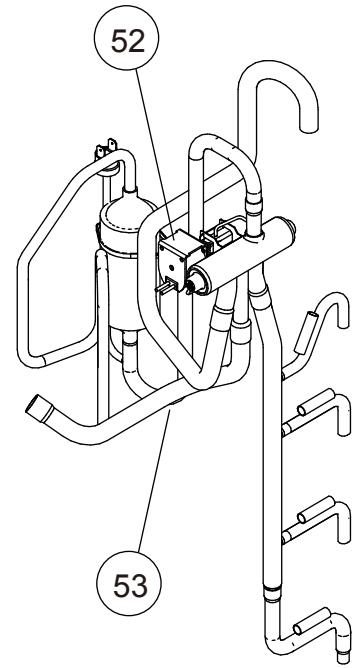


Ref.	Description	Part number
41	Terminal 3P	9900203016
42	Terminal 6P	9900016036
43	Terminal	9900433017
44	Thermistor	9704265012
45	Heat Sink B	9374607020
46	Heat Sink Thermistor	9900311018
47	Choke Coil	9900366018



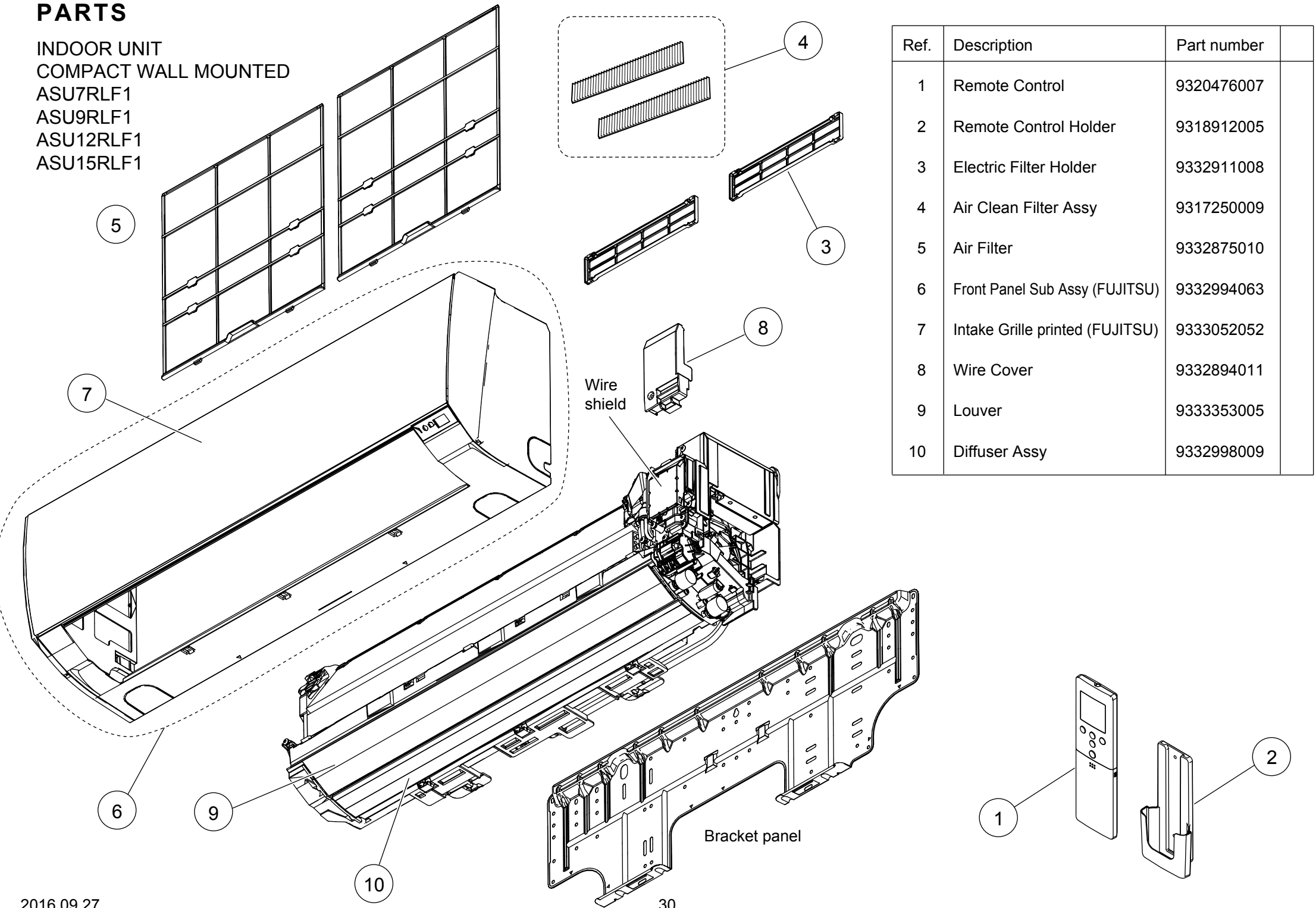
OUTDOOR UNIT
AOU36RLXFZ1

Ref.	Description	Part number
51	Condenser A Sub Assy	9374420445
52	Solenoid	9900165055
53	4-way Valve Assy	9374425433
54	Accumulator Sub Assy	9374426201
55	Compressor	9810135001
56	Condensing Pipe C Assy	9375241032
57	Expansion Valve Coil (A=Red)	9970101069
58	Expansion Valve Coil (B=White)	9970101038
59	Expansion Valve Coil (C=Green)	9970101045
60	Expansion Valve Coil (D=Blue)	9970101052
61	Expansion Valve Assy	9370947151
62	3-way Valve Assy	9378282018
63	3-way Valve Assy	9377958013
64	2-way Valve Assy	9375614027

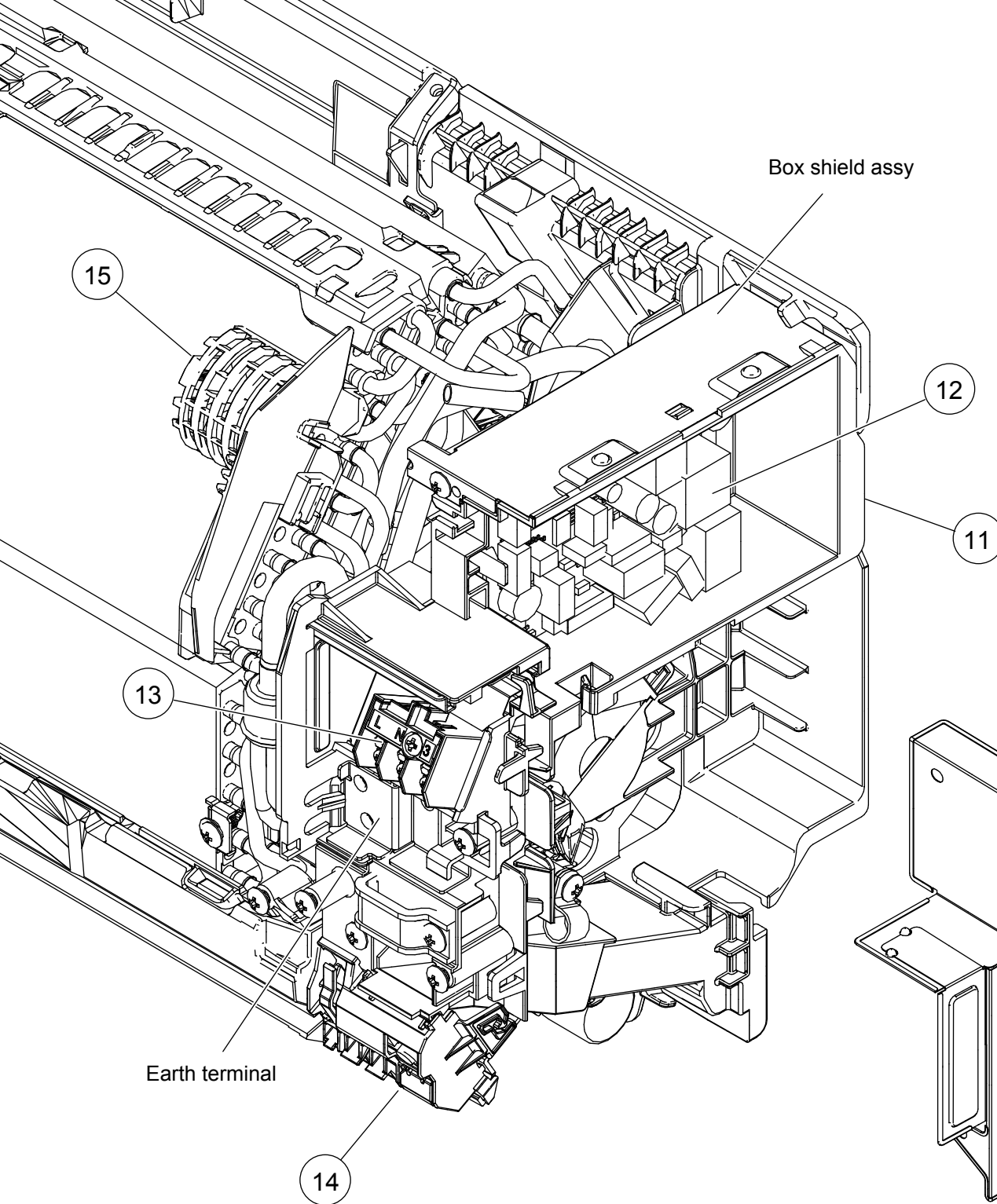


PARTS

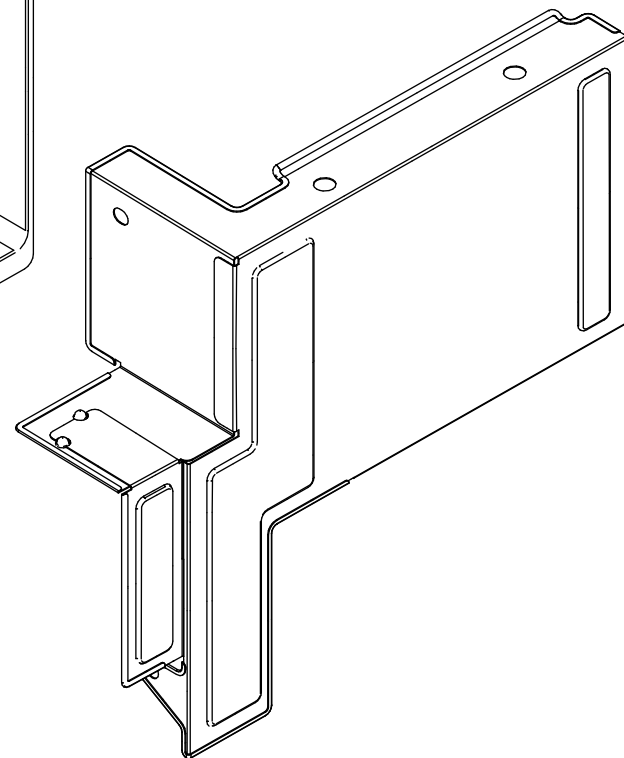
INDOOR UNIT
 COMPACT WALL MOUNTED
 ASU7RLF1
 ASU9RLF1
 ASU12RLF1
 ASU15RLF1



Ref.	Description	Part number
1	Remote Control	9320476007
2	Remote Control Holder	9318912005
3	Electric Filter Holder	9332911008
4	Air Clean Filter Assy	9317250009
5	Air Filter	9332875010
6	Front Panel Sub Assy (FUJITSU)	9332994063
7	Intake Grille printed (FUJITSU)	9333052052
8	Wire Cover	9332894011
9	Louver	9333353005
10	Diffuser Assy	9332998009



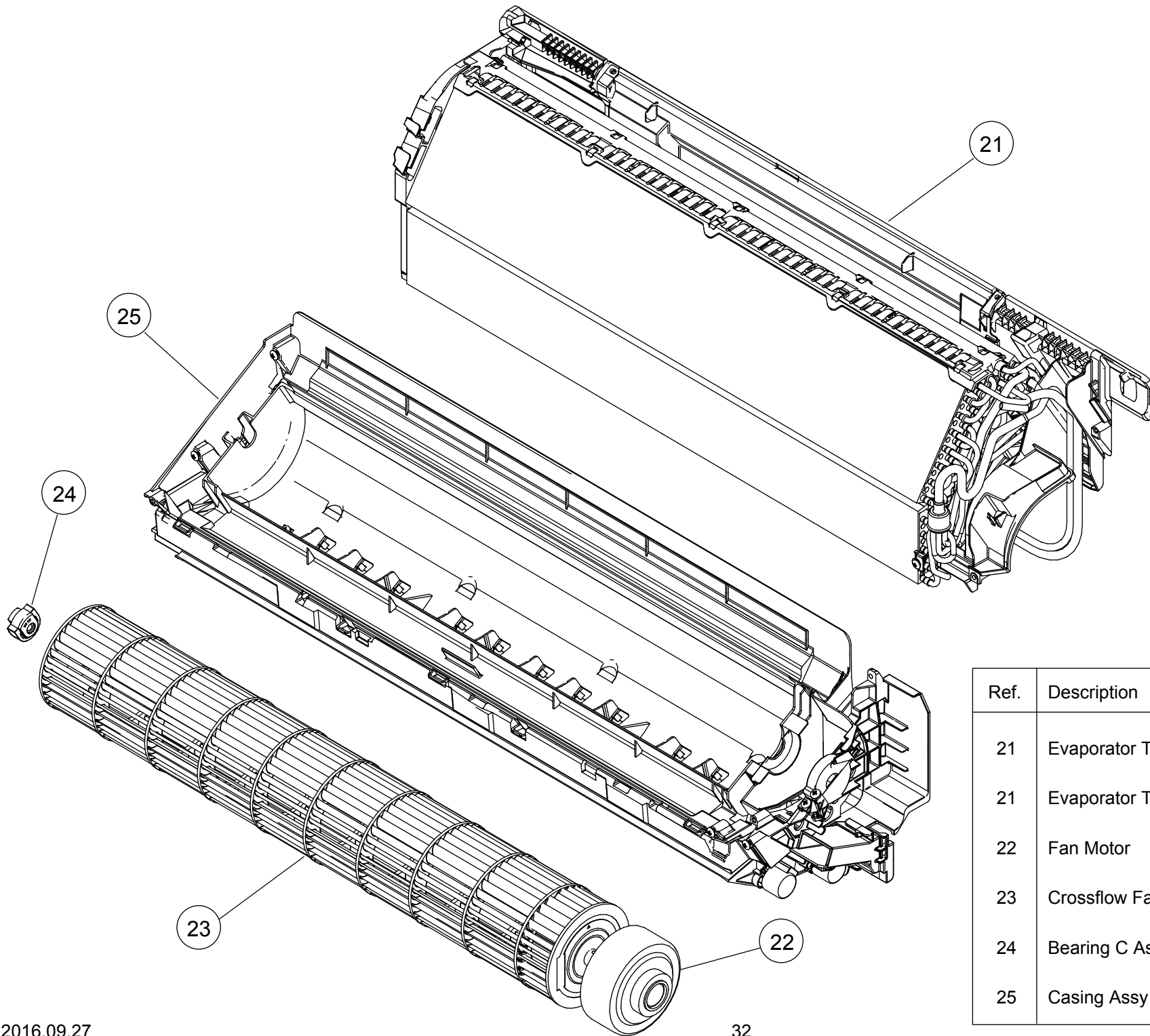
Ref.	Description	Part number
11	Control Box	9332892024
12	Main PCB (ASU7RLF1)	9709427354
12	Main PCB (ASU9RLF1)	9709427330
12	Main PCB (ASU12RLF1)	9709427347
12	Main PCB (ASU15RLF1)	9709427446
13	Terminal	9900720001
14	Display Assy	9709430019
15	Room Thermistor Holder	9332868005
--	Thermistor Assy	9900714024



Cover shield

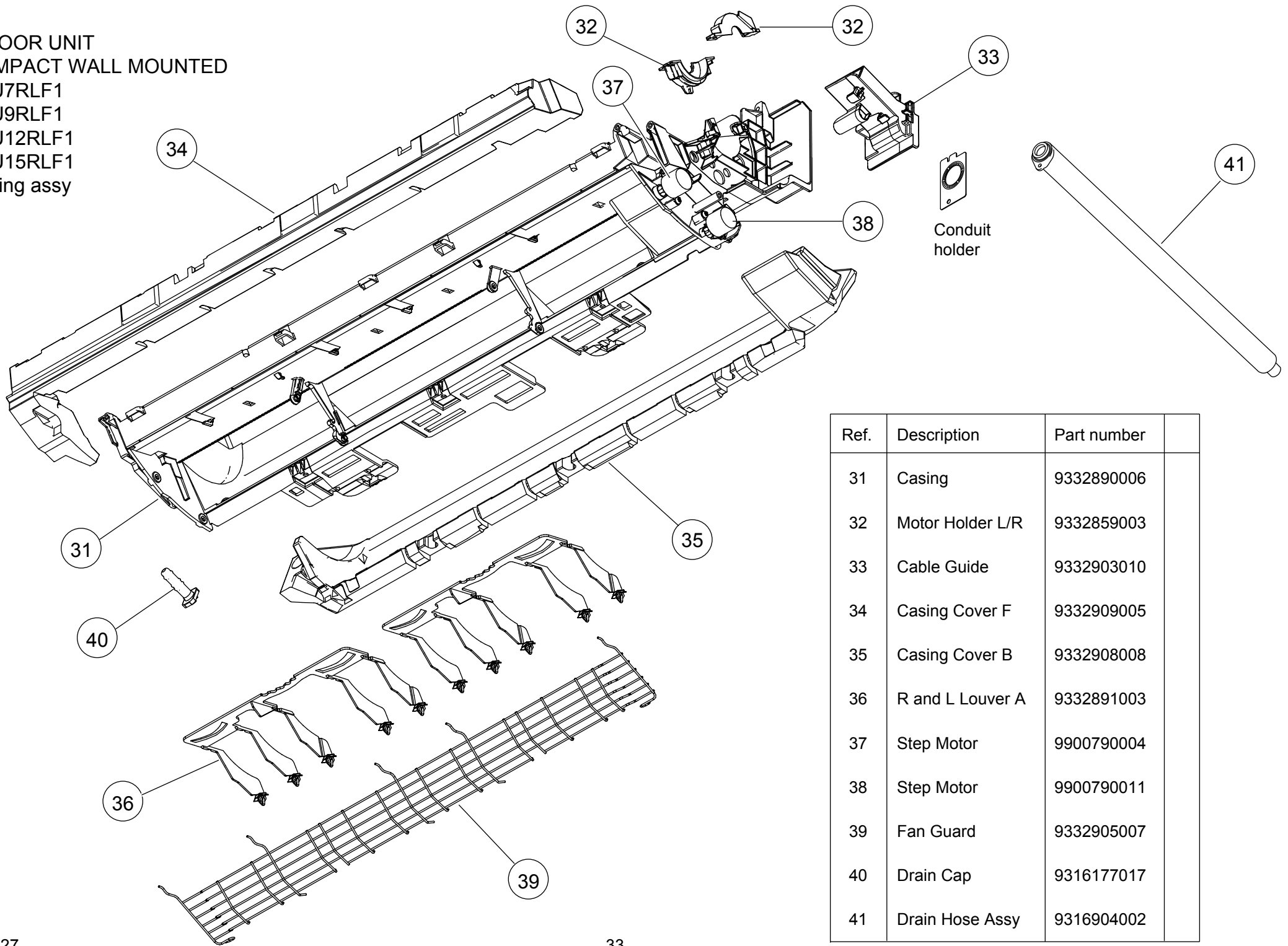
INDOOR UNIT
 COMPACT WALL MOUNTED
 ASU7RLF1
 ASU9RLF1
 ASU12RLF1
 ASU15RLF1
 Control box

INDOOR UNIT
 COMPACT WALL MOUNTED
 ASU7RLF1
 ASU9RLF1
 ASU12RLF1
 ASU15RLF1
 Evaporator
 Fan



Ref.	Description	Part number
21	Evaporator Total Assy (7, 9, 12)	9332989090
21	Evaporator Total Assy (15RLF1)	9332989113
22	Fan Motor	9603269012
23	Crossflow Fan Assy	9316830004
24	Bearing C Assy	9306628017
25	Casing Assy	9333009056

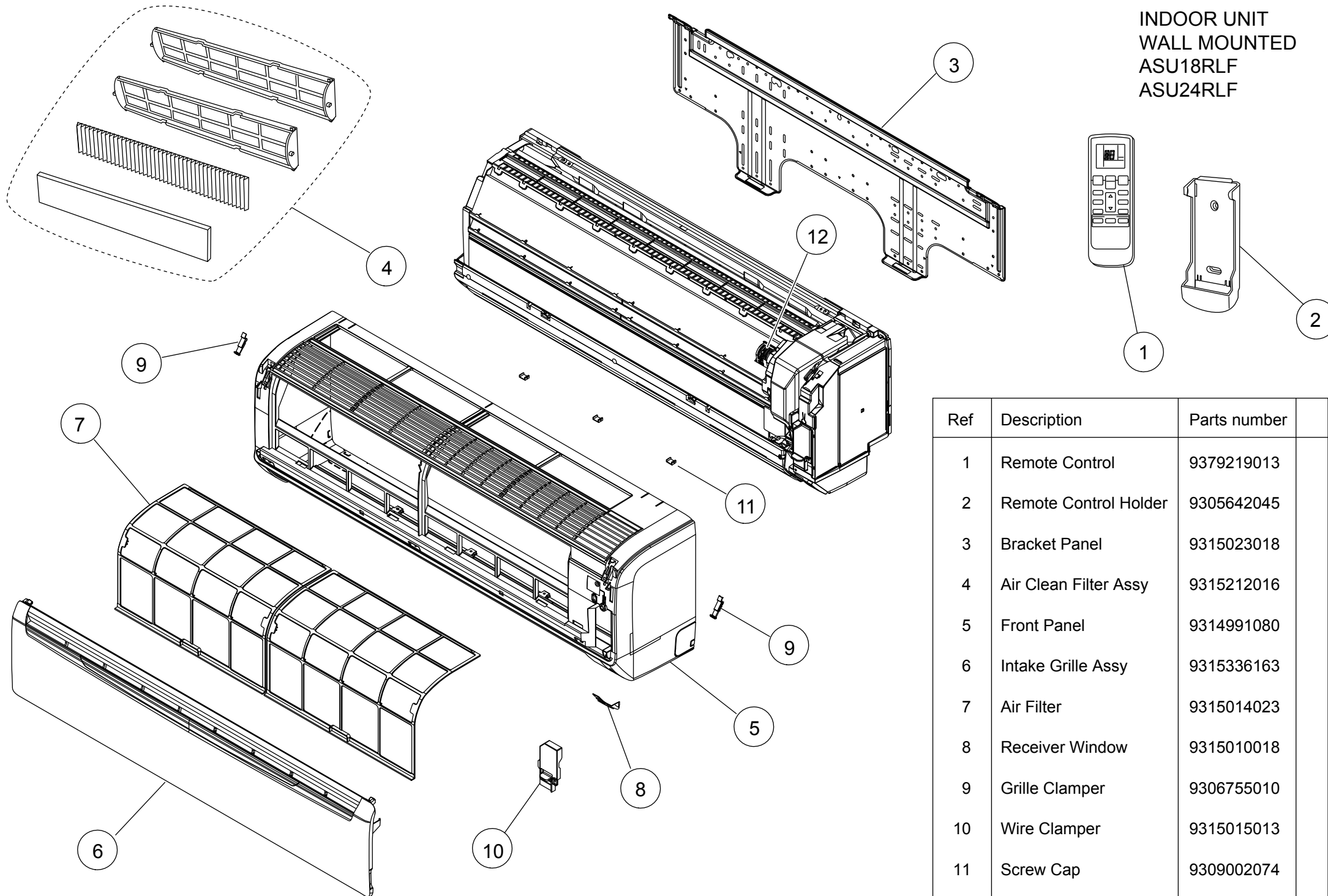
INDOOR UNIT
 COMPACT WALL MOUNTED
 ASU7RLF1
 ASU9RLF1
 ASU12RLF1
 ASU15RLF1
 Casing assy



Ref.	Description	Part number
31	Casing	9332890006
32	Motor Holder L/R	9332859003
33	Cable Guide	9332903010
34	Casing Cover F	9332909005
35	Casing Cover B	9332908008
36	R and L Louver A	9332891003
37	Step Motor	9900790004
38	Step Motor	9900790011
39	Fan Guard	9332905007
40	Drain Cap	9316177017
41	Drain Hose Assy	9316904002

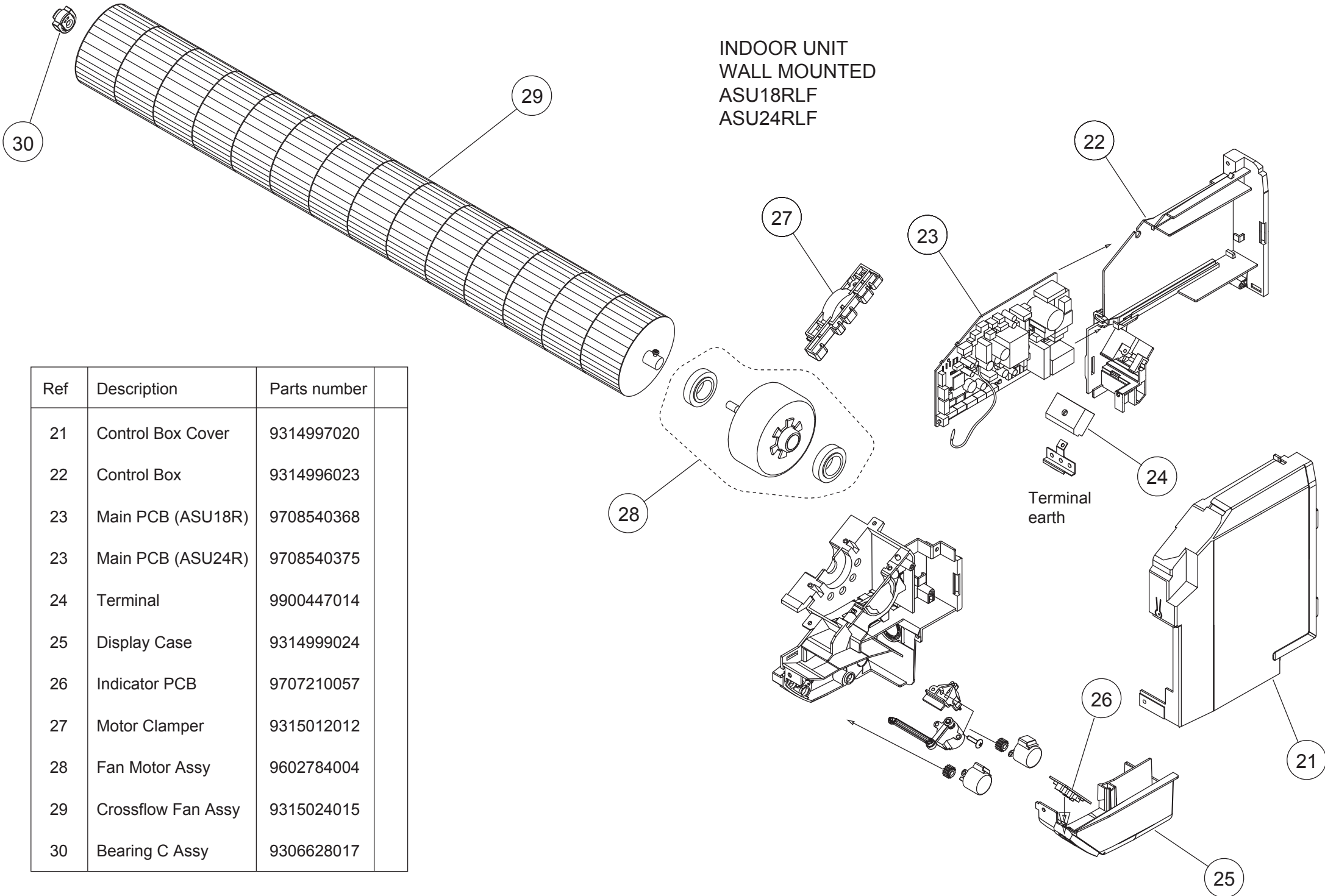
Conduit holder

INDOOR UNIT
WALL MOUNTED
ASU18RLF
ASU24RLF



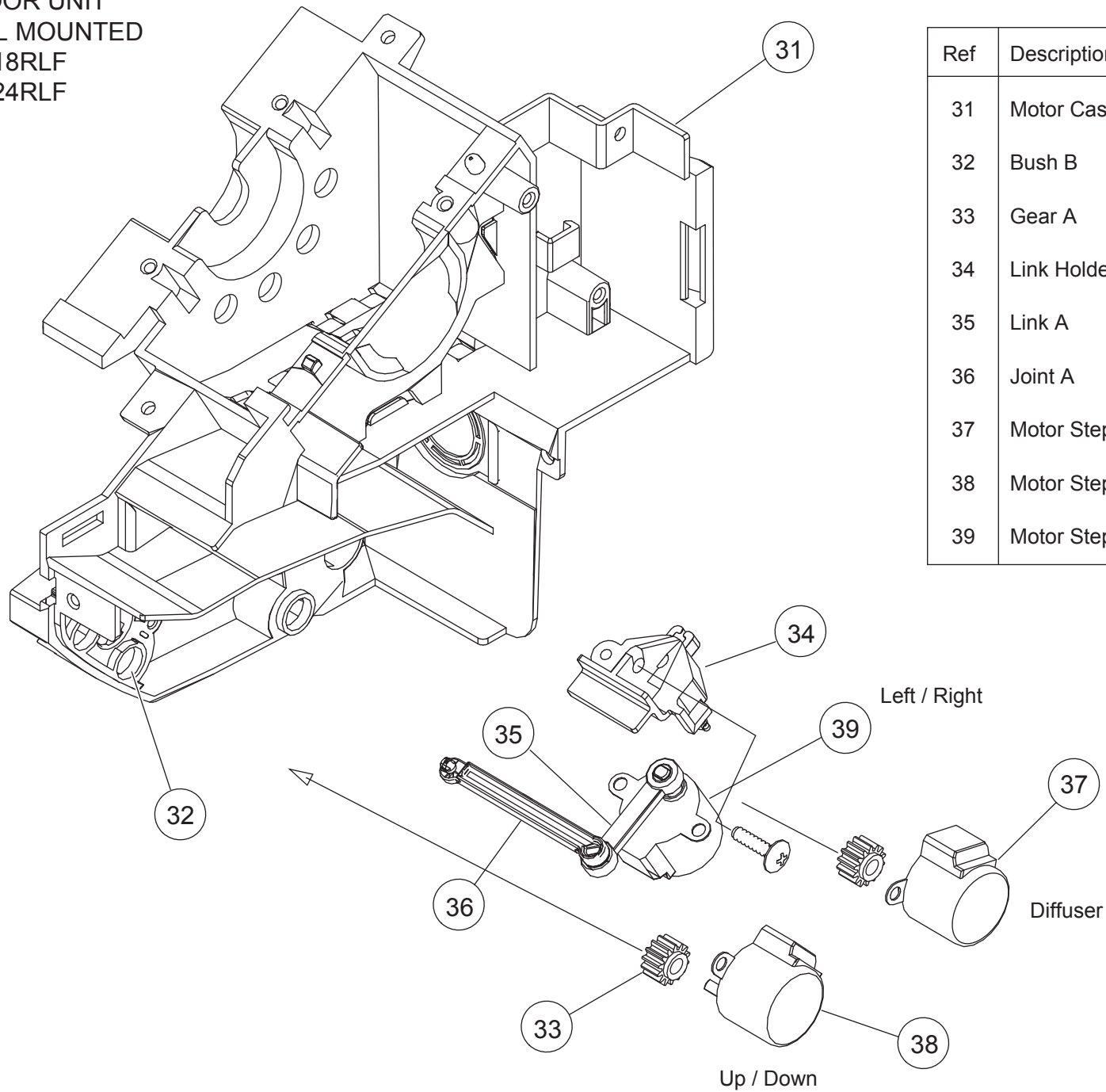
Ref	Description	Parts number
1	Remote Control	9379219013
2	Remote Control Holder	9305642045
3	Bracket Panel	9315023018
4	Air Clean Filter Assy	9315212016
5	Front Panel	9314991080
6	Intake Grille Assy	9315336163
7	Air Filter	9315014023
8	Receiver Window	9315010018
9	Grille Clamper	9306755010
10	Wire Clamper	9315015013
11	Screw Cap	9309002074
12	Room Thermistor Holder	9315252012

INDOOR UNIT
WALL MOUNTED
ASU18RLF
ASU24RLF



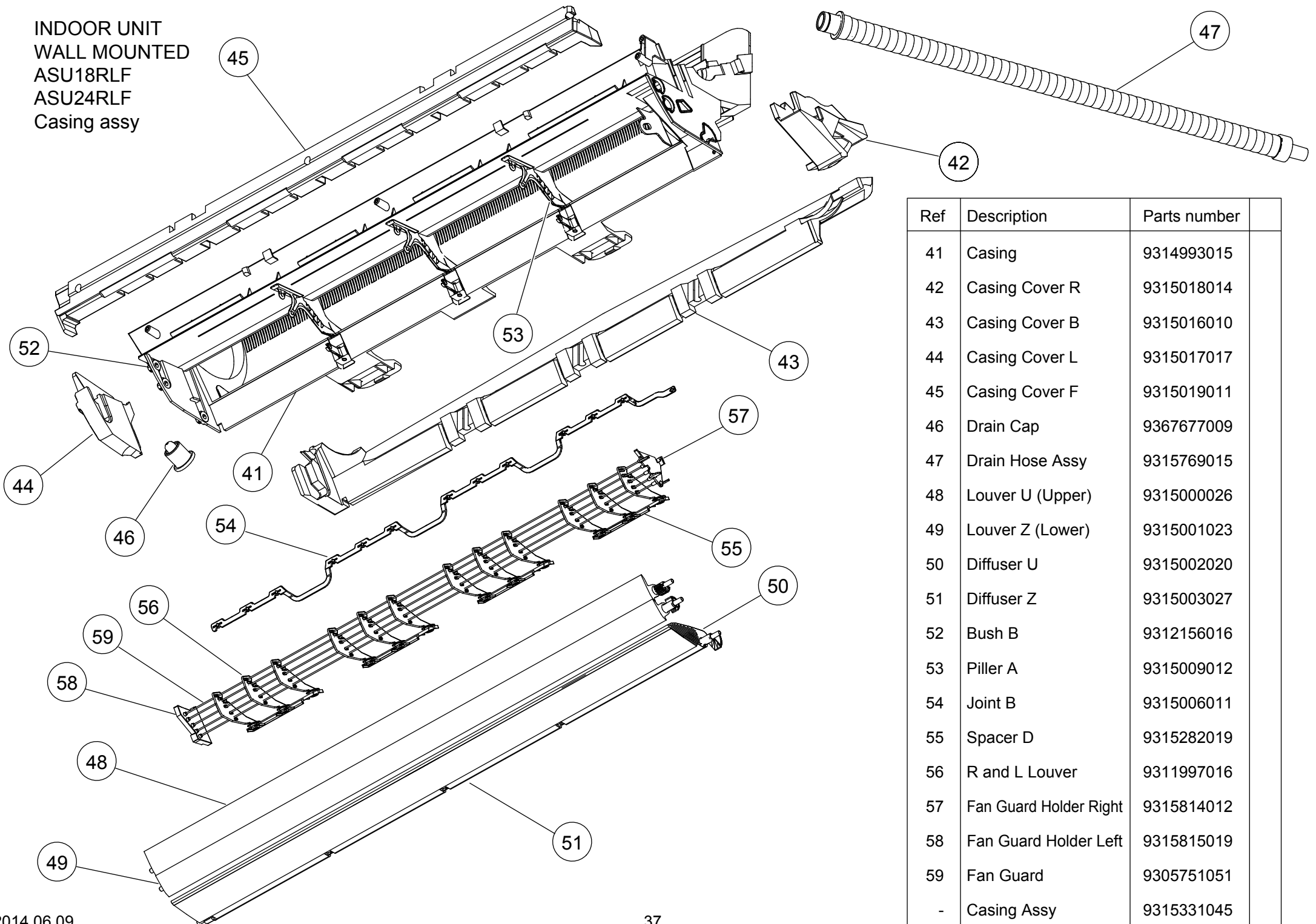
Ref	Description	Parts number
21	Control Box Cover	9314997020
22	Control Box	9314996023
23	Main PCB (ASU18R)	9708540368
23	Main PCB (ASU24R)	9708540375
24	Terminal	9900447014
25	Display Case	9314999024
26	Indicator PCB	9707210057
27	Motor Clamper	9315012012
28	Fan Motor Assy	9602784004
29	Crossflow Fan Assy	9315024015
30	Bearing C Assy	9306628017

INDOOR UNIT
WALL MOUNTED
ASU18RLF
ASU24RLF



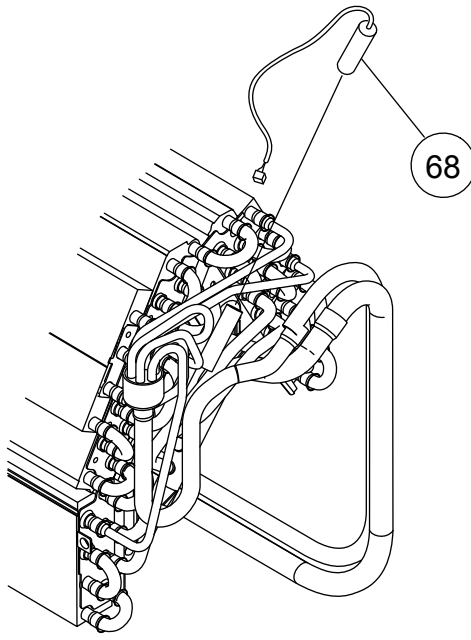
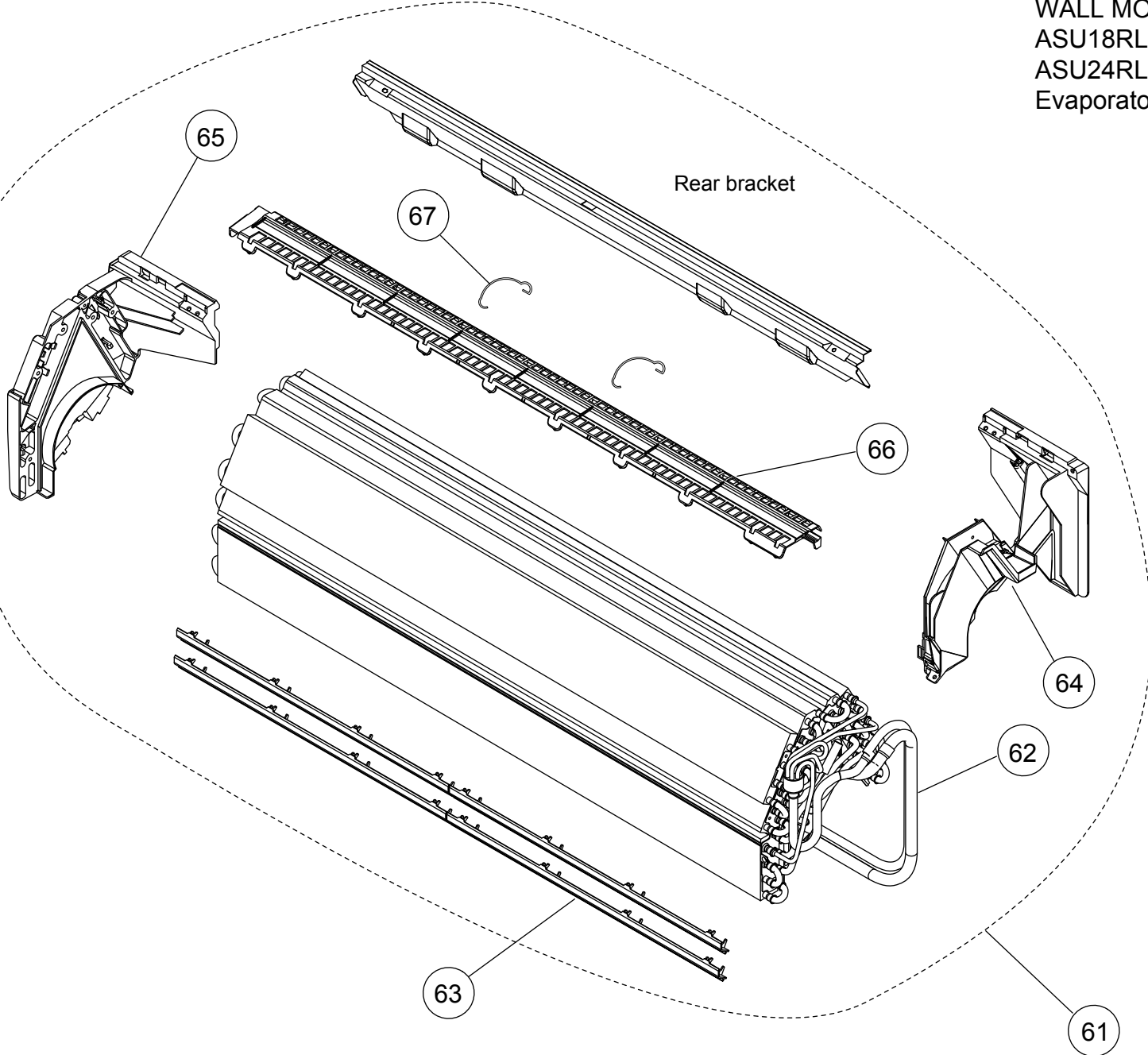
Ref	Description	Parts number
31	Motor Case	9314998027
32	Bush B	9312156016
33	Gear A	9309994003
34	Link Holder	9315007018
35	Link A	9315008015
36	Joint A	9315005014
37	Motor Step (Red)	9900384029
38	Motor Step (Green)	9900384036
39	Motor Step (Blue)	9900139063

INDOOR UNIT
WALL MOUNTED
ASU18RLF
ASU24RLF
Casing assy



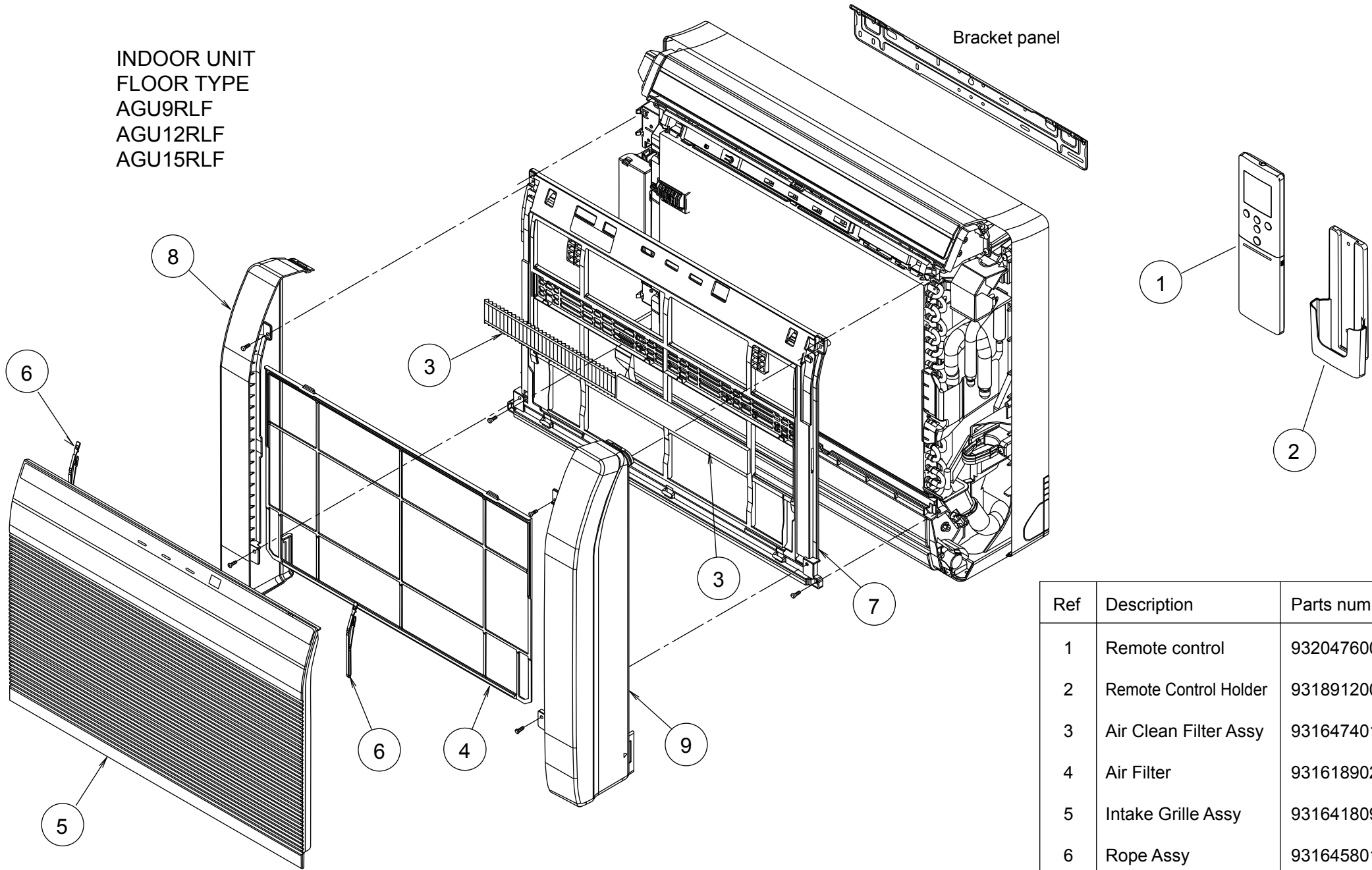
Ref	Description	Parts number
41	Casing	9314993015
42	Casing Cover R	9315018014
43	Casing Cover B	9315016010
44	Casing Cover L	9315017017
45	Casing Cover F	9315019011
46	Drain Cap	9367677009
47	Drain Hose Assy	9315769015
48	Louver U (Upper)	9315000026
49	Louver Z (Lower)	9315001023
50	Diffuser U	9315002020
51	Diffuser Z	9315003027
52	Bush B	9312156016
53	Pillar A	9315009012
54	Joint B	9315006011
55	Spacer D	9315282019
56	R and L Louver	9311997016
57	Fan Guard Holder Right	9315814012
58	Fan Guard Holder Left	9315815019
59	Fan Guard	9305751051
-	Casing Assy	9315331045

INDOOR UNIT
WALL MOUNTED
ASU18RLF
ASU24RLF
Evaporator



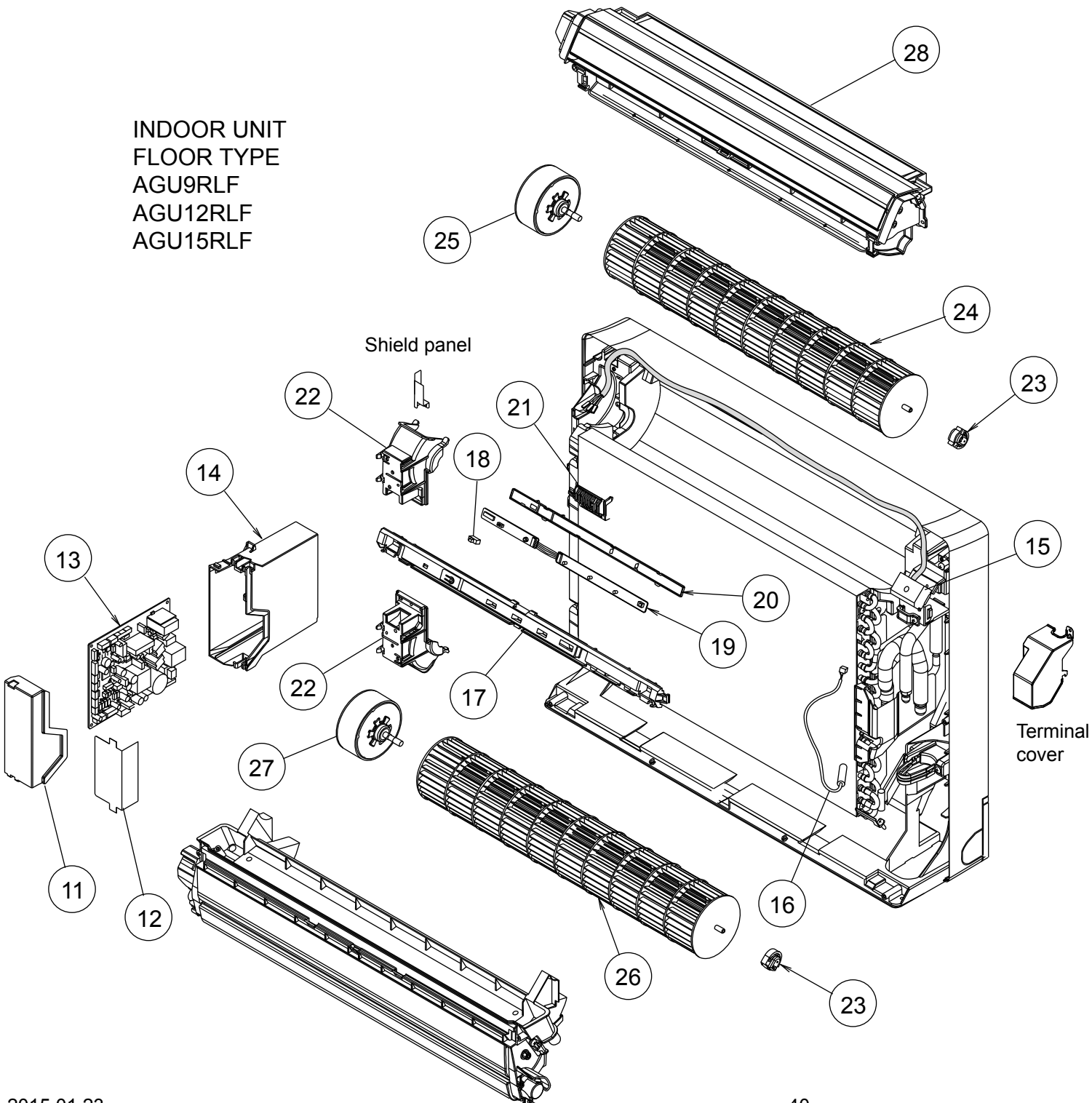
Ref	Description	Parts number
61	Evaporator Total Assy (18)	9315338181
61	Evaporator Total Assy (24)	9315338174
62	Connection Pipe Assy (18)	9315355041
62	Connection Pipe Assy (24)	9315355058
63	Water Seal	9315251015
64	Evaporator Holder R	9314994012
65	Evaporator Holder L	9314995019
66	Filter Guide	9315013019
67	Filter Guard	9315411013
68	Pipe Thermistor	9900551018

INDOOR UNIT
 FLOOR TYPE
 AGU9RLF
 AGU12RLF
 AGU15RLF



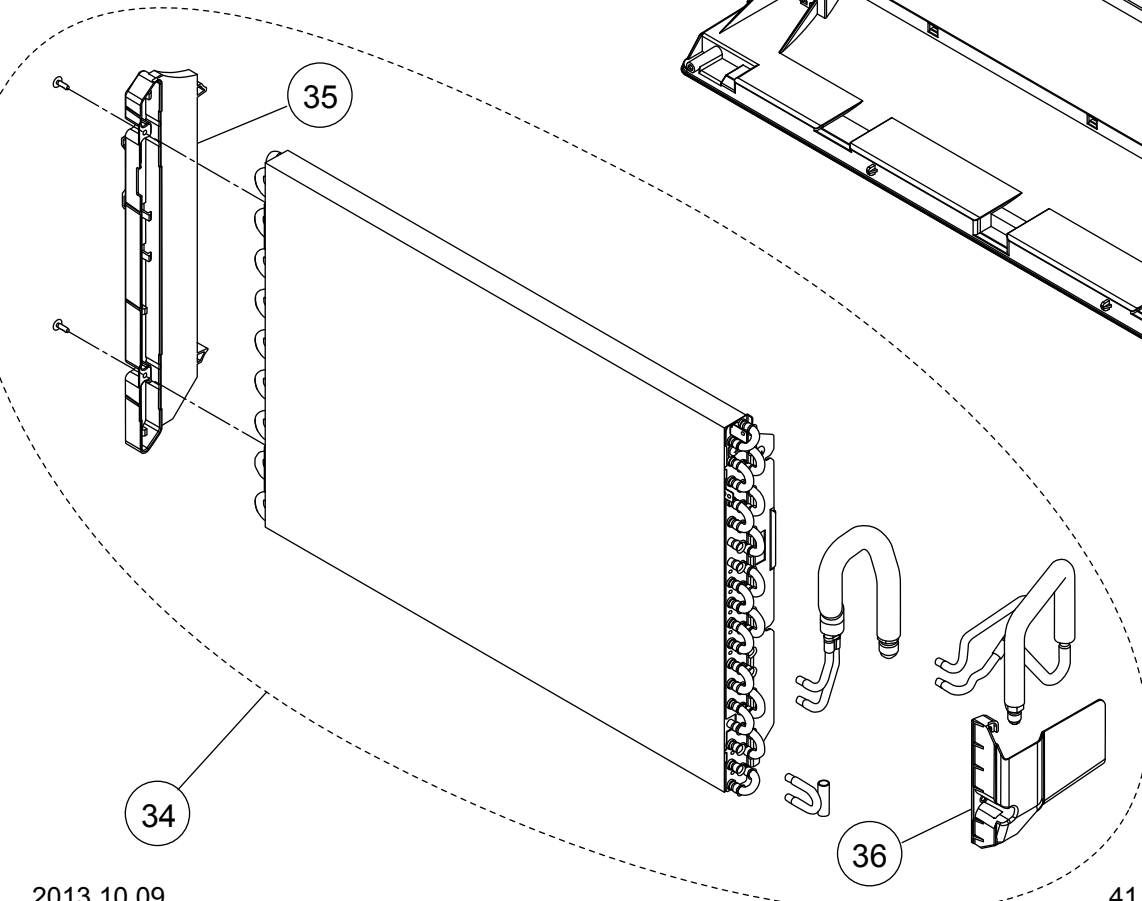
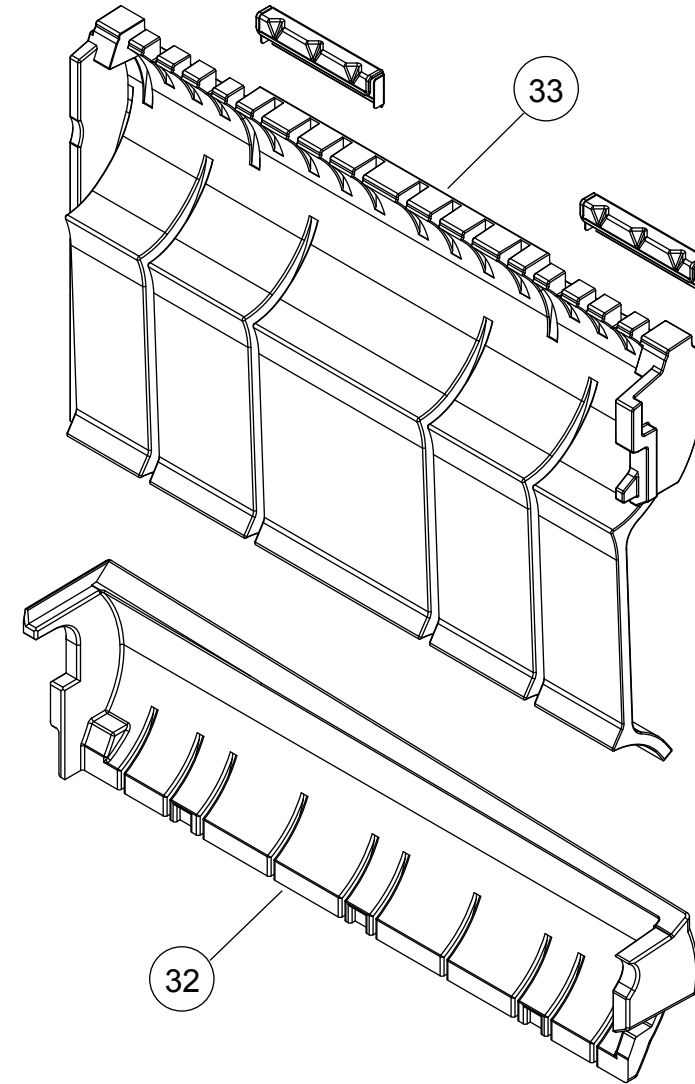
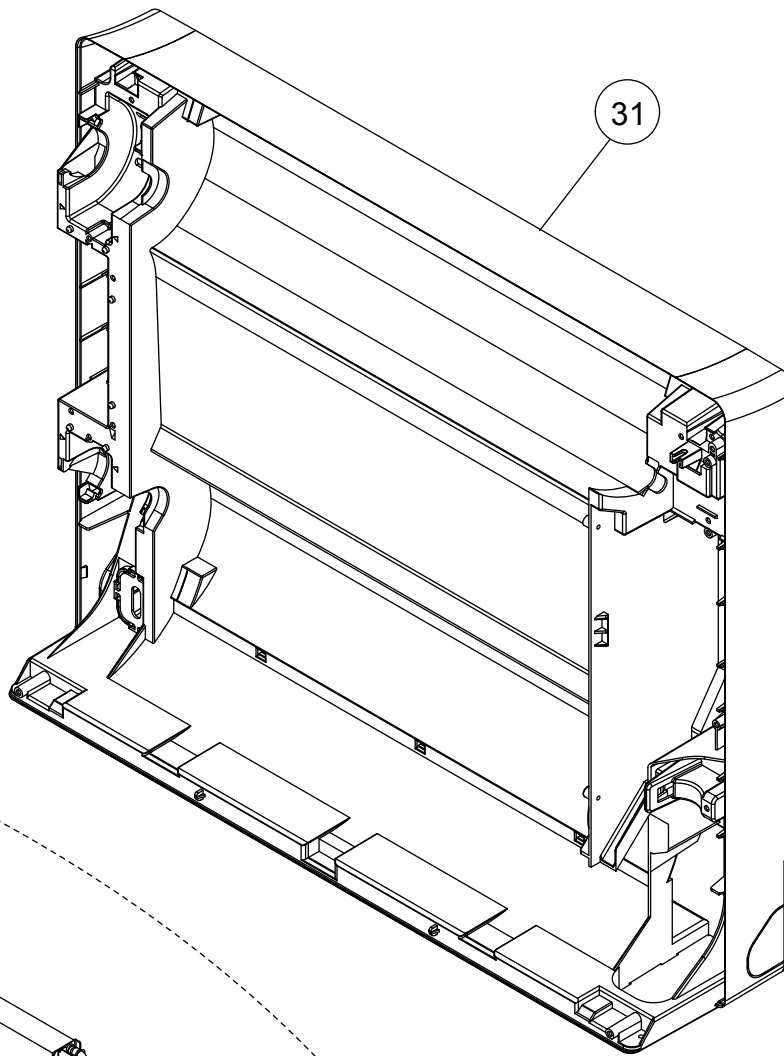
Ref	Description	Parts number
1	Remote control	9320476007
2	Remote Control Holder	9318912005
3	Air Clean Filter Assy	9316474017
4	Air Filter	9316189027
5	Intake Grille Assy	9316418097
6	Rope Assy	9316458017
7	Front Panel	9316185012
8	Front Panel L	9316187016
9	Front Panel R	9316186019

INDOOR UNIT
FLOOR TYPE
AGU9RLF
AGU12RLF
AGU15RLF



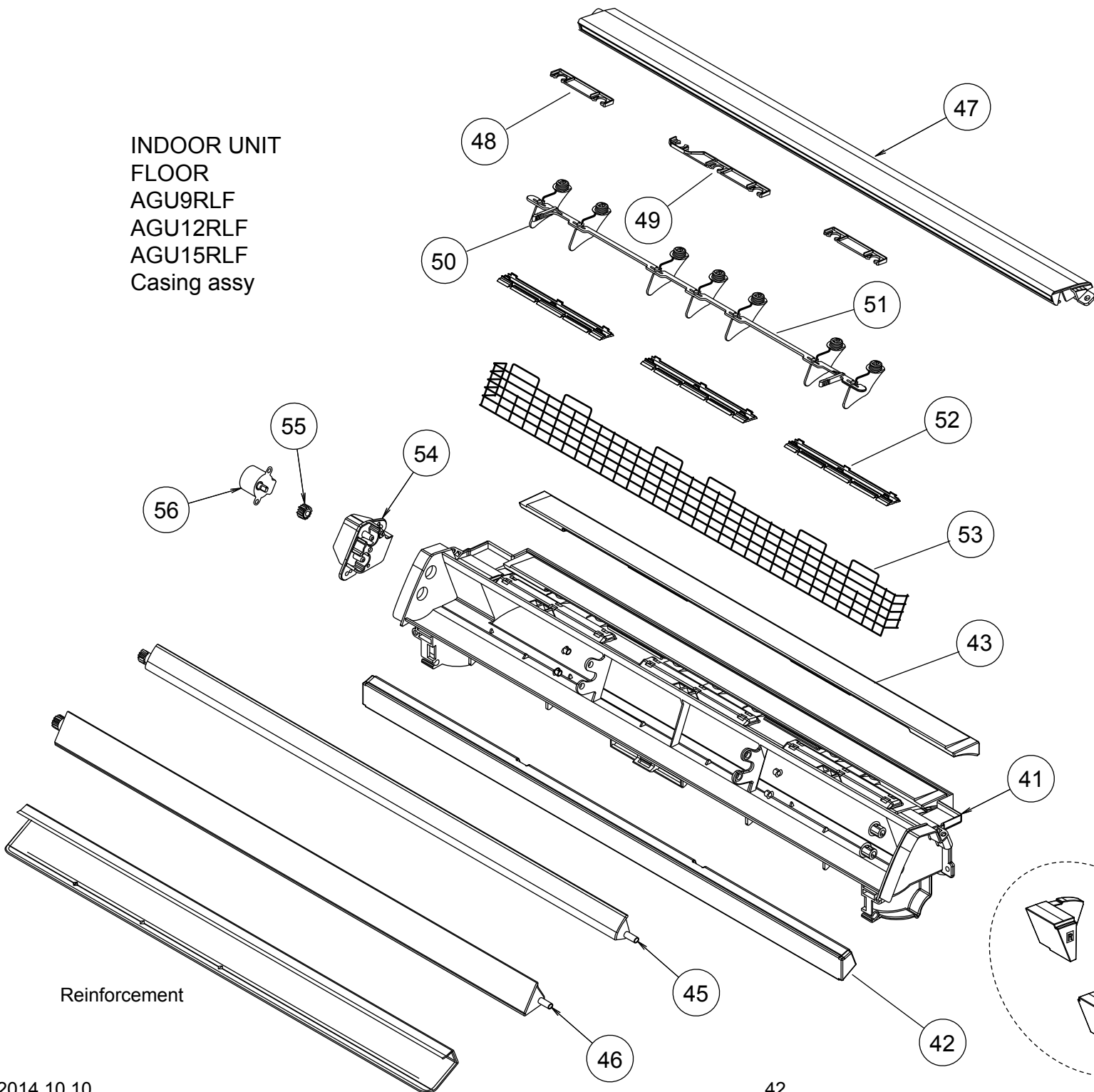
Ref	Description	Parts number
11	Control Cover	9316201026
12	Control Inner Cover	9316487017
13	Main PCB (AGU9RLF)	9708532165
13	Main PCB (AGU12RLF)	9708532172
13	Main PCB (AGU15RLF)	9708532189
14	Control Box	9316200029
15	Terminal	9900385026
16	Pipe Thermistor	9900425012
17	Display Case	9316194014
18	Slide Switch Cover	9316267015
19	Display PCB	9707571042
20	Display Cover	9316191013
21	Thermistor Holder	9316192010
22	Motor Holder	9316195011
23	Bearing C Assy	9306628017
24	Crossflow Fan Assy	9312004034
25	Fan Motor, MFD-14TXAN	9602850013
26	Crossflow Fan B Assy	9316309012
27	Fan Motor, MFD-14SXAN	9602851010
28	Casing Assy	9316411012

Ref	Description	Parts number
31	Base	9316193017
32	Base Cover A	9316197015
33	Base Cover B	9316373013
34	Evaporator Total Assy (9, 12)	9316091030
34	Evaporator Total Assy (15)	9316091047
35	Evaporator Holder	9316199019
36	Water Seal	9316271012



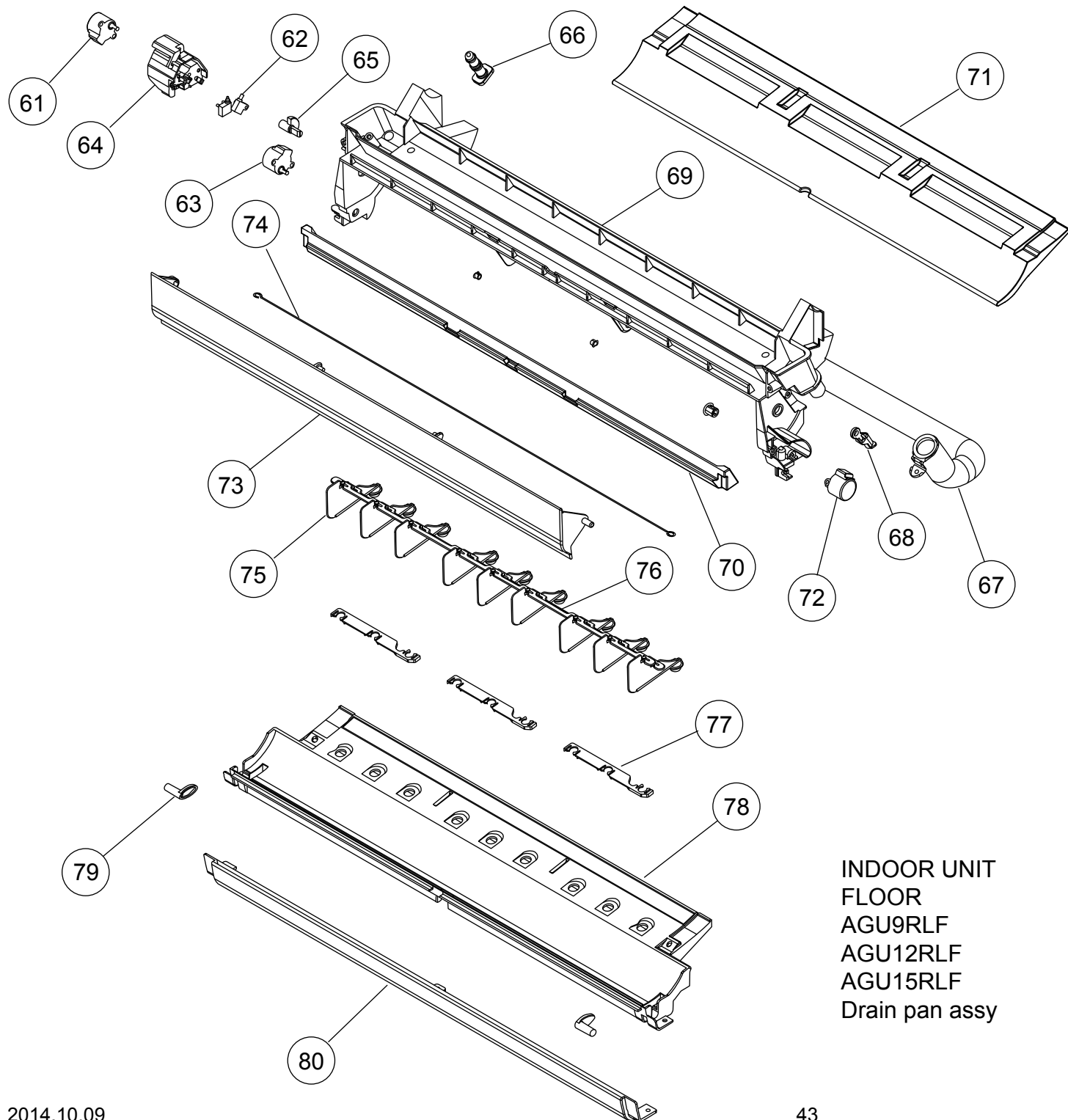
INDOOR UNIT
 FLOOR
 AGU9RLF
 AGU12RLF
 AGU15RLF

INDOOR UNIT
FLOOR
AGU9RLF
AGU12RLF
AGU15RLF
Casing assy



Ref	Description	Parts number
41	Casing	9316204010
42	Casing Cover F	9316308015
43	Casing Cover B	9316273016
44	Casing Cover LR	9316310018
45	Louver U (upper)	9316205017
46	Louver Z (lower)	9316206014
47	Top Cover	9316207011
48	Spacer C	9315281012
49	Spacer D	9315282019
50	R and L Louver U	9316208018
51	Joint U	9316209015
52	Guard Holder	9316210011
53	Fan Guard	9316211018
54	Gear Case	9316213012
55	Gear A	9309994003
56	Step Motor (up / down)	9900384043

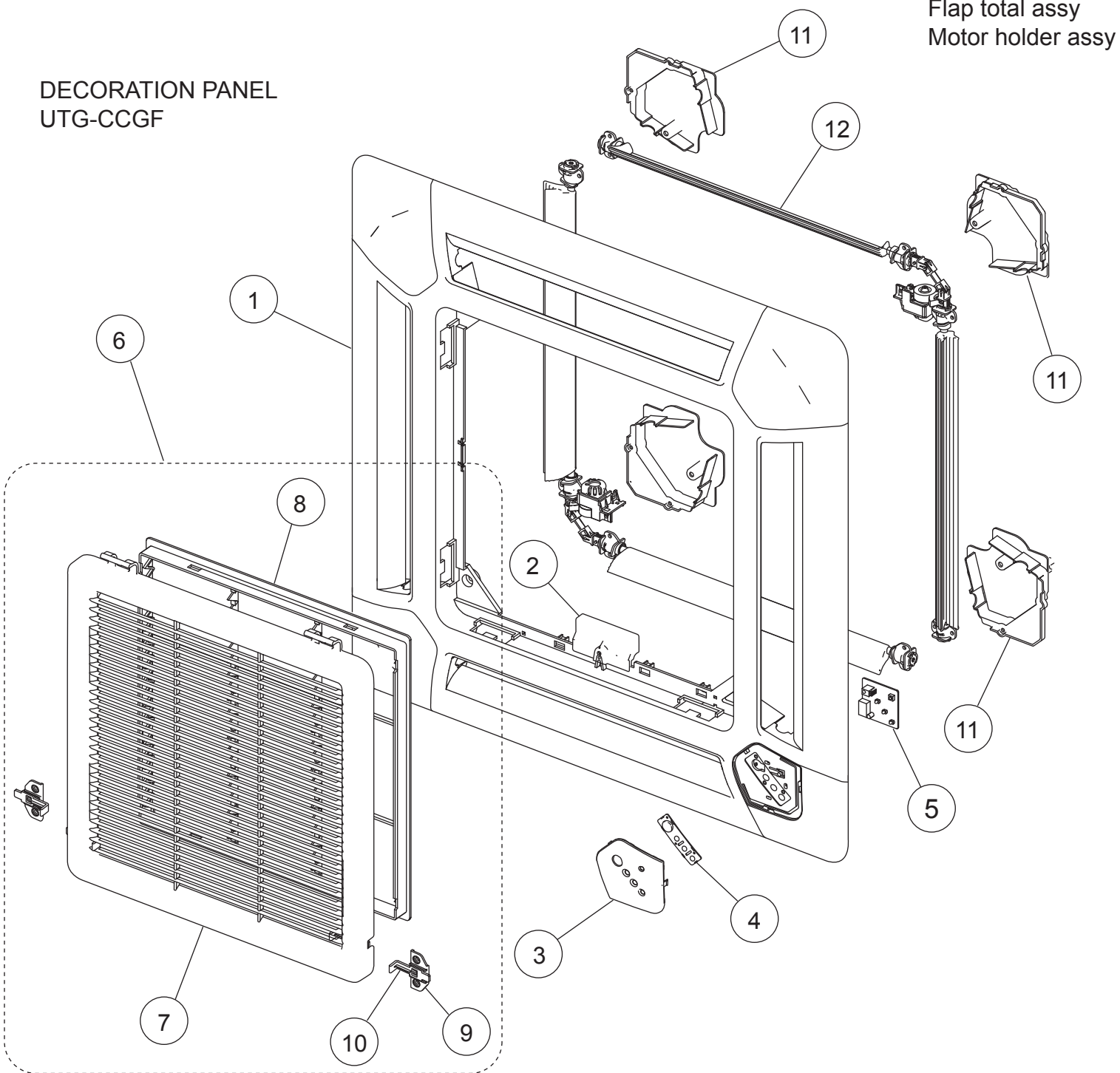
Reinforcement



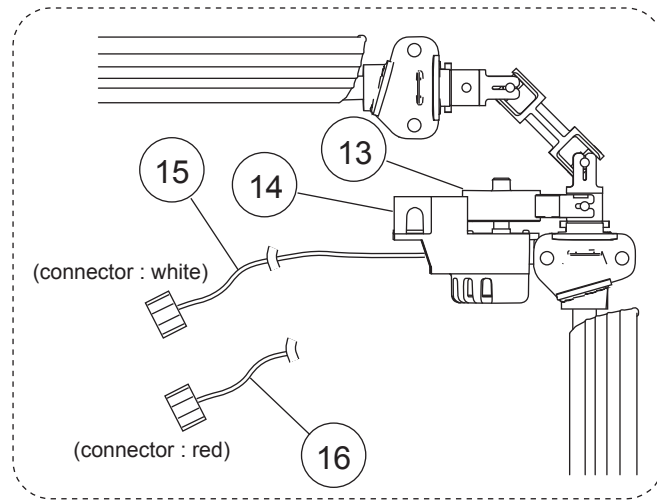
INDOOR UNIT
 FLOOR
 AGU9RLF
 AGU12RLF
 AGU15RLF
 Drain pan assy

Ref	Description	Parts number
61	Motor Step (Damper)	9900384050
62	Micro Switch (Limit Switch)	9900424015
63	Motor Step (Damper Lock Left)	9900384067
64	Limit Switch Cover	9316217010
65	Key Top	9316218017
66	Drain Cap	9316177017
67	Drain Hose Assy	9314147029
68	Drain Holder	9316384019
69	Drain Pan U	9316214019
70	Drain Cover F	9316274013
71	Drain Cover B	9316386013
72	Step Motor (Damper Lock Right)	9900384074
73	Damper	9316216013
74	Fan Guard Z	9316918009
75	R and L Louver Z	9316334014
76	Joint Z	9316335011
77	Spacer D	9315282019
78	Drain Pan Z	9316215016
79	Stopper	9316219014
80	Under Cover	9316374010

DECORATION PANEL
UTG-CCGF

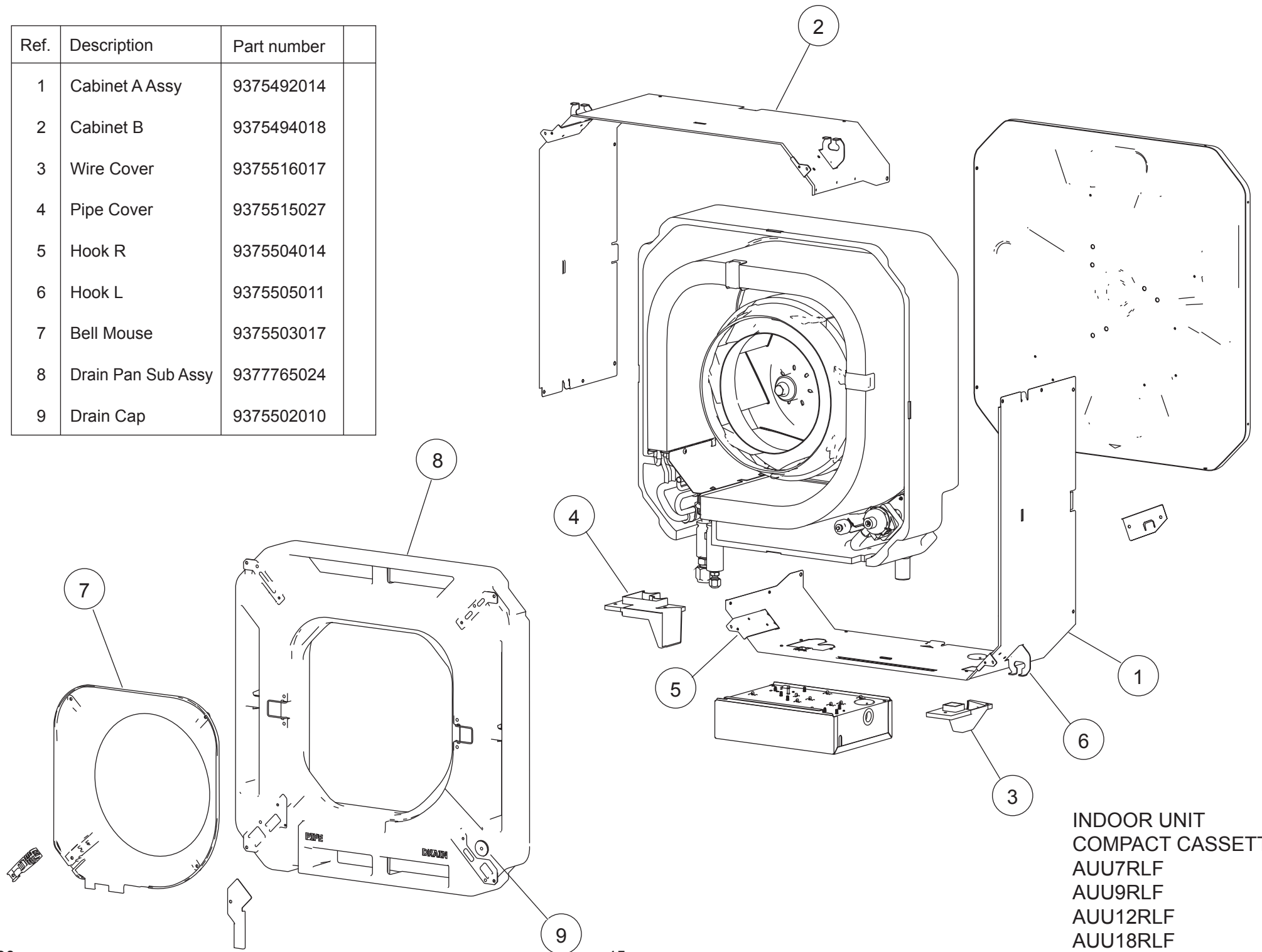


Flap total assy
Motor holder assy



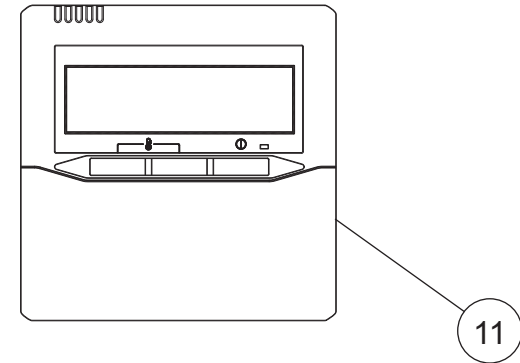
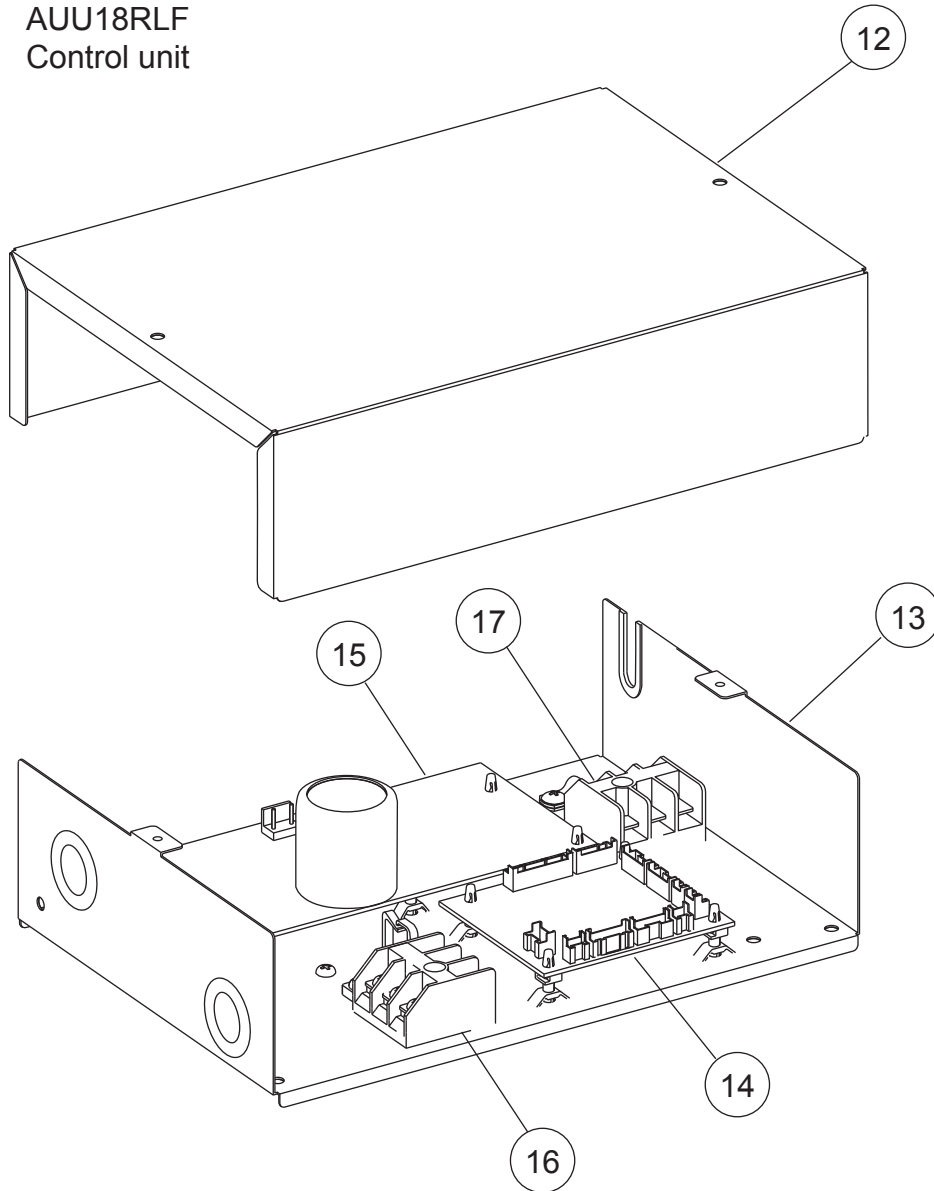
Ref.	Description	Part number
1	Decoration Panel without Insulations	9375525033
2	Connector Cover	9375549015
3	Display Panel	9375529123
4	Receiver Window	9375547011
5	Indicator PCB	9707371031
6	Intake Grille Assy	9375726027
7	Intake Grille	9375531027
8	Long Life Filter	9375533014
9	Hook Bracket	9375546014
10	Grille Hook	9375532024
11	Panel Cover without Insulations	9375530013
12	Flap Total Assy	9377760029
13	Gear A	9375536015
14	Motor Holder	9375535018
15	Step Motor (white connector)	9900139070
16	Step Motor (red connector)	9900139087

Ref.	Description	Part number
1	Cabinet A Assy	9375492014
2	Cabinet B	9375494018
3	Wire Cover	9375516017
4	Pipe Cover	9375515027
5	Hook R	9375504014
6	Hook L	9375505011
7	Bell Mouse	9375503017
8	Drain Pan Sub Assy	9377765024
9	Drain Cap	9375502010



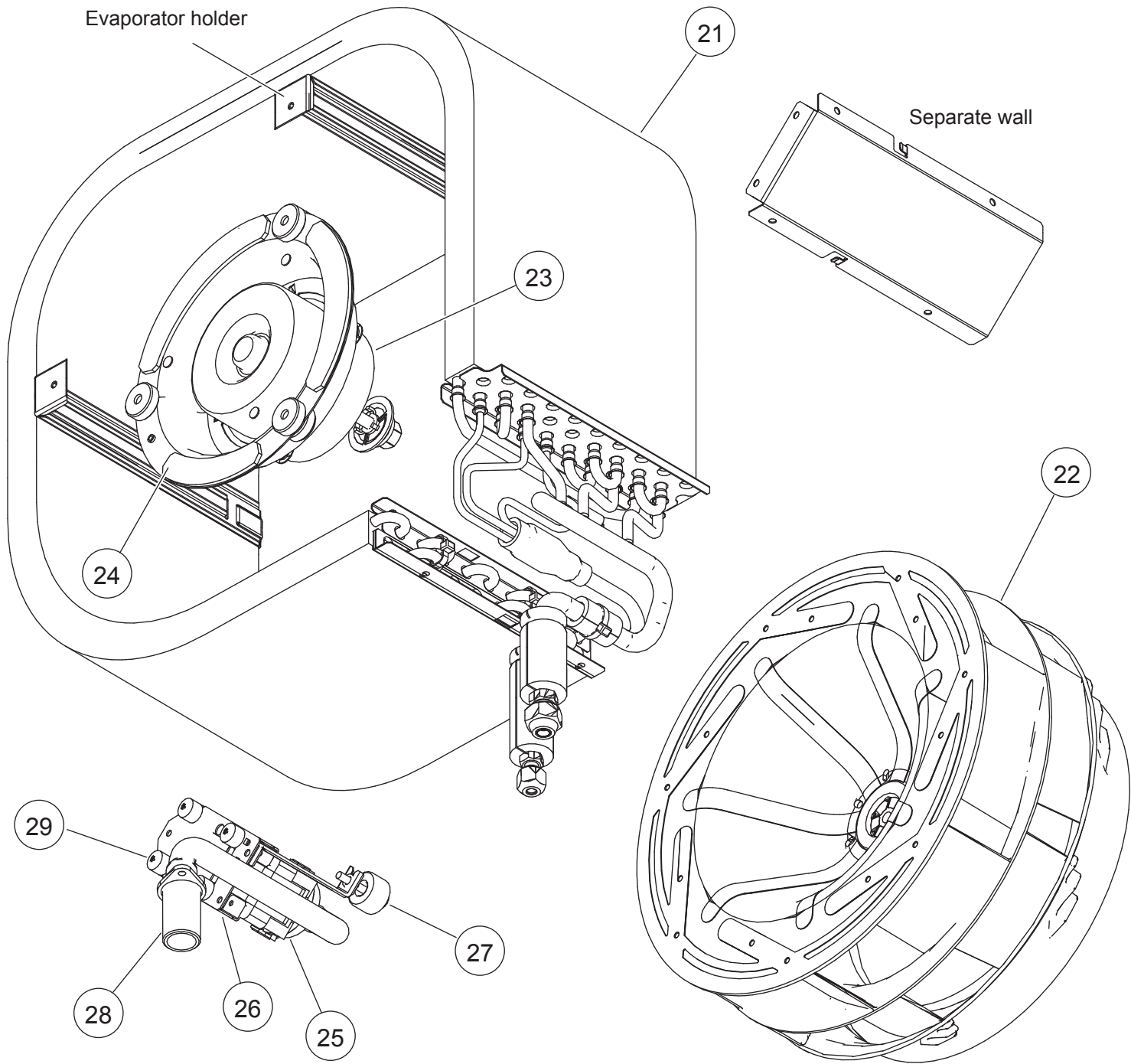
INDOOR UNIT
 COMPACT CASSETTE
 AUU7RLF
 AUU9RLF
 AUU12RLF
 AUU18RLF

INDOOR UNIT
 COMPACT CASSETTE
 AUU7RLF
 AUU9RLF
 AUU12RLF
 AUU18RLF
 Control unit



Ref.	Description	Part number	
11	Remote Control	9318593006	
12	Control Box Cover	9375512019	
13	Control Box A Assy	9379250016	
14	Main PCB (AUU7)	9709928011	
14	Main PCB (AUU9)	9709928028	
14	Main PCB (AUU12)	9709928035	
14	Main PCB (AUU18)	9709928042	
15	Power Supply PCB	9707398236	
16	Terminal	9306489045	
17	Terminal	9703345012	
--	Pipe Thermistor	9900814007	
--	Room Thermistor	9900826000	

Evaporator holder

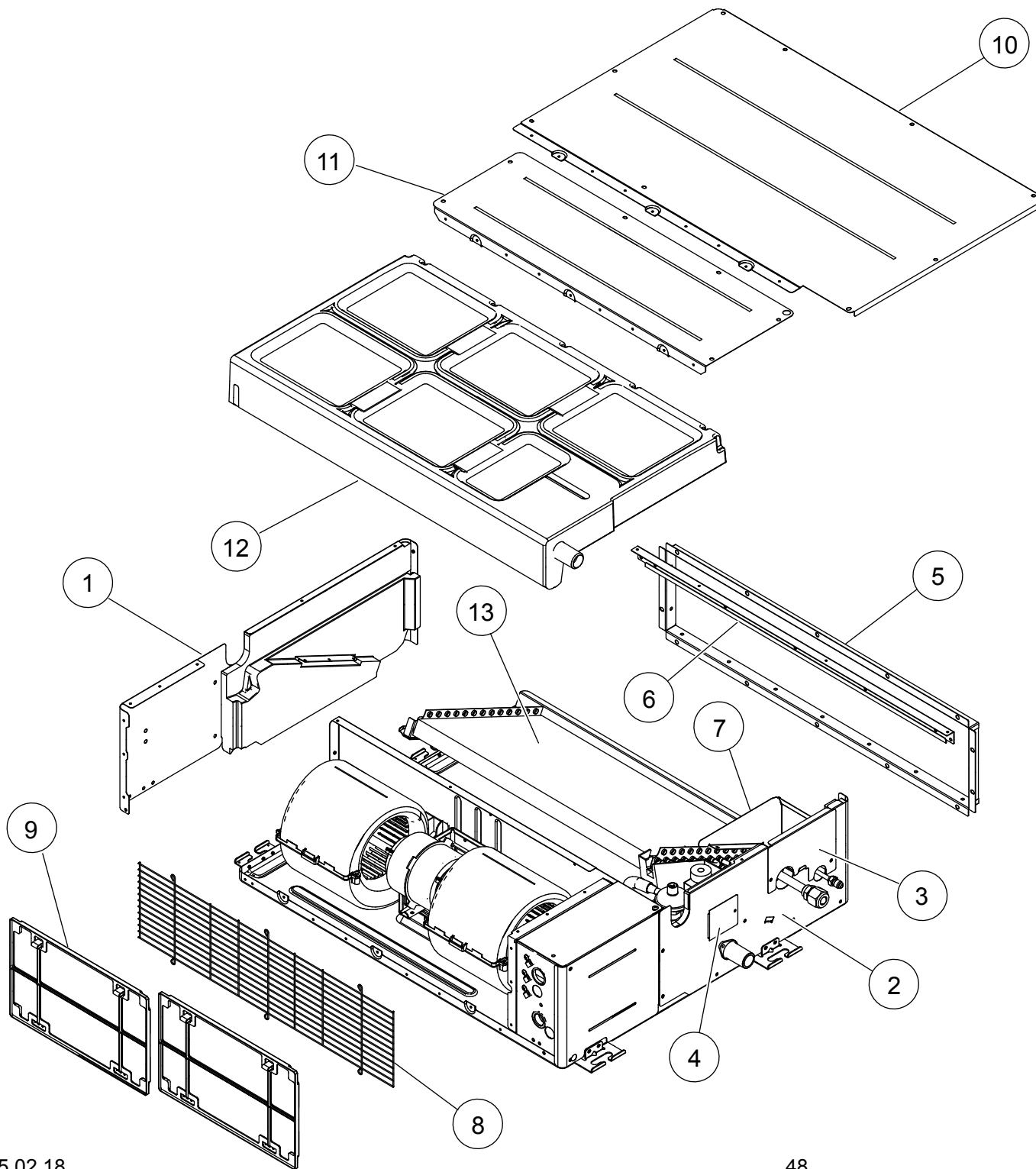


Separate wall

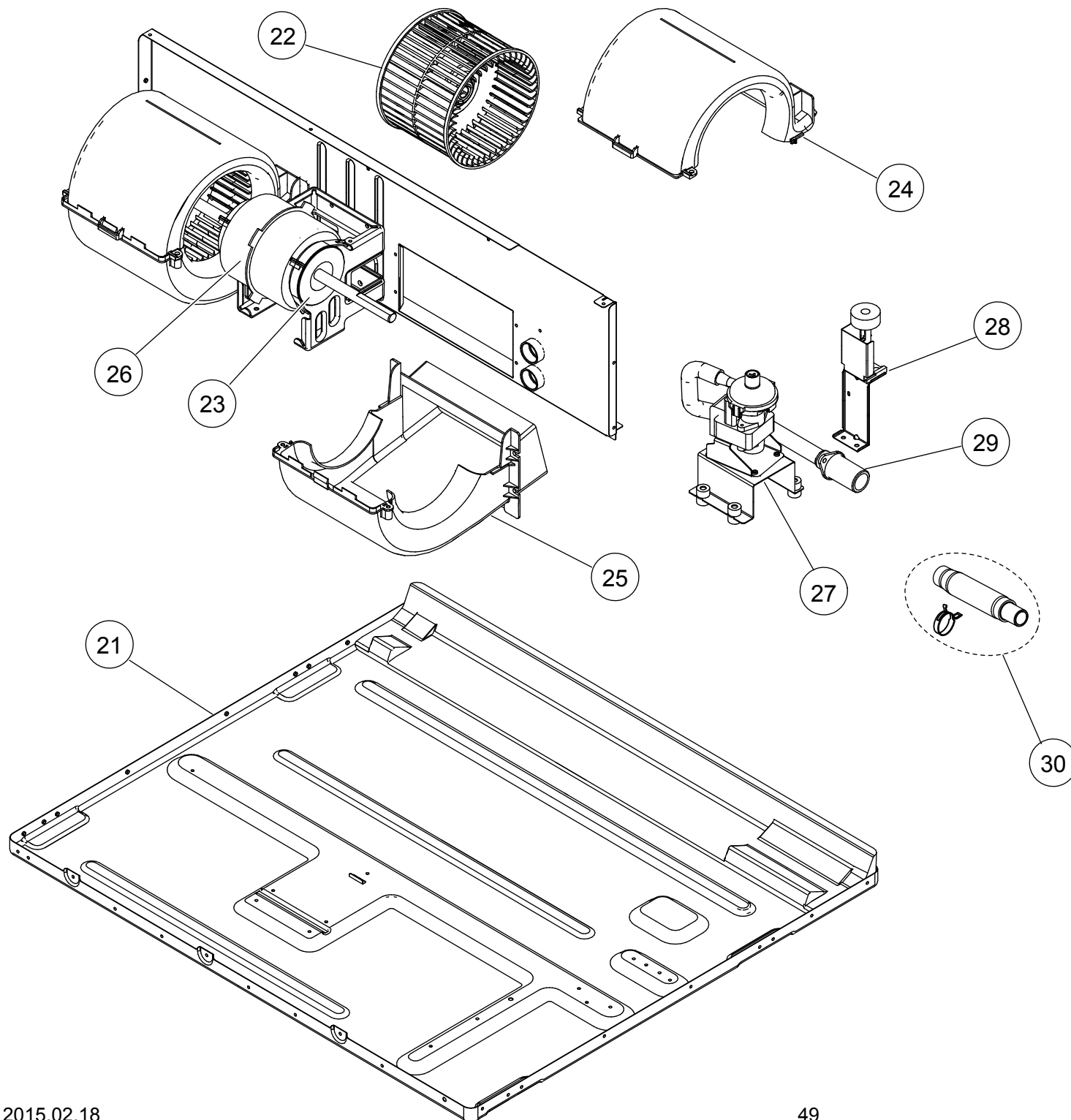
INDOOR UNIT
 COMPACT CASSETTE
 AUU7RLF
 AUU9RLF
 AUU12RLF
 AUU18RLF

Ref.	Description	Part number
21	Evaporator Total Assy (7)	9377914040
21	Evaporator Total Assy (9, 12)	9377914033
21	Evaporator Total Assy (18)	9377914026
22	2 Stage Turbo Fan Assy	9375480011
23	Fan Motor	9602870004
24	Fan Motor Holder	9375552015
25	Pump Assy	9900472030
26	Drain Pump Holder B	9375518011
27	Float Switch	9900361037
28	Drain Port Sub Assy	9375718015
29	Rubber (Pump)	9378426016

INDOOR UNIT
 SLIM DUCT
 ARU7RLF
 ARU9RLF
 ARU12RLF
 (Serial number : R)
 Refer to the service
 bulletin RAC-0059



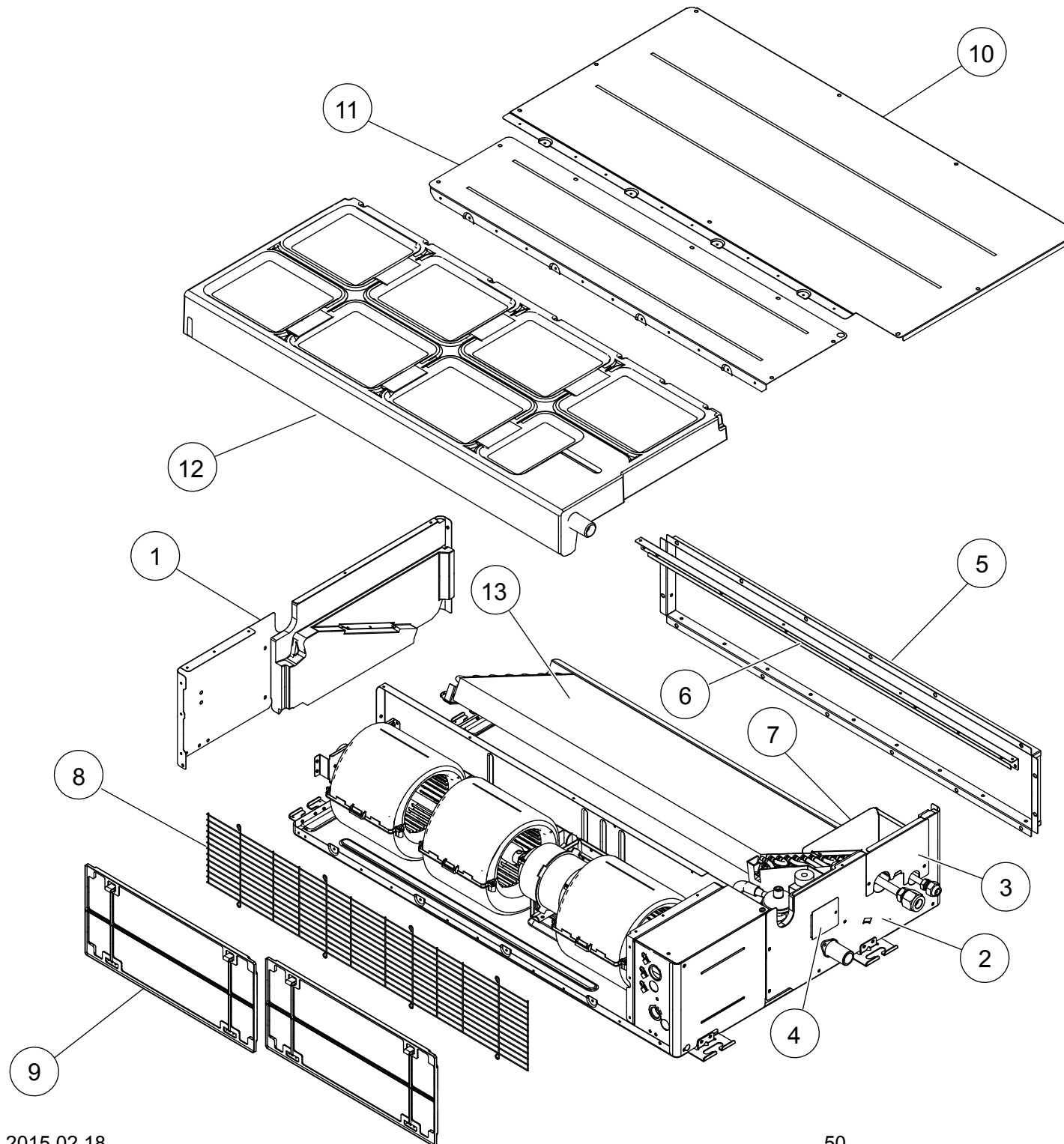
Ref	Description	Parts number
1	Side Panel R Sub Assy	9379906012
2	Side Panel L Sub Assy	9379907019
3	Pipe Panel Sub Assy	9379900003
4	Panel (Window) Sub Assy	9379915007
5	Outlet Frame Assy	9380042006
6	Front Panel (2 Fan)	9380594000
7	Valve Cover Sub Assy	9379576017
8	Fan Guard (2 Fan)	9380589006
9	Air Filter	9379574006
10	Main Panel (2 Fan)	9380602019
11	Cabinet Panel (2 Fan)	9380597001
12	Drain Pan Sub Assy	9379901161
13	Evaporater Total Assy (7)	9380682080
13	Evaporater Total Assy (9, 12)	9380682042



INDOOR UNIT
SLIM DUCT
ARU7RLF
ARU9RLF
ARU12RLF
(Serial number : R)

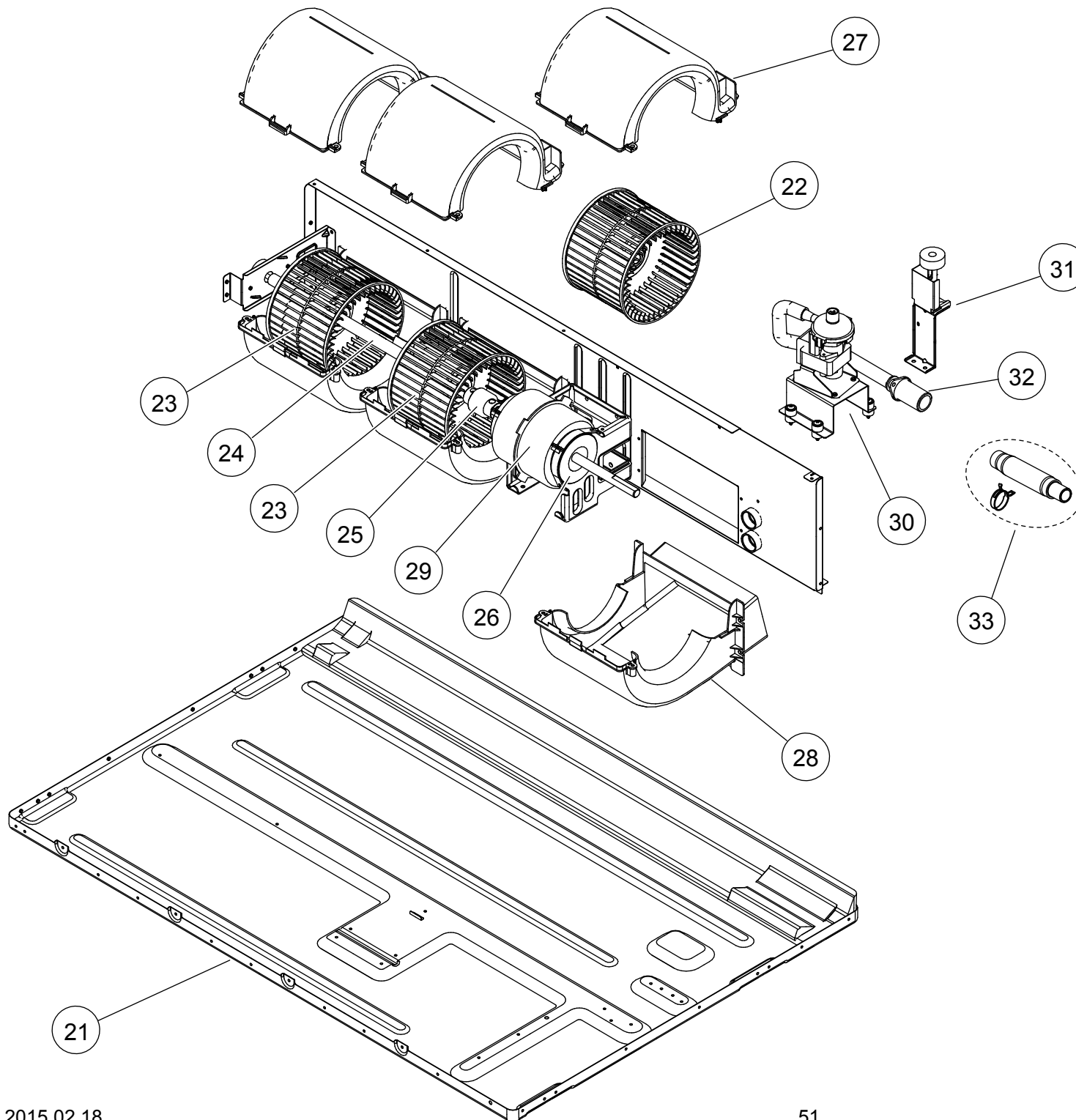
Ref	Description	Parts number
21	Top Panel Sub Assy	9379908030
22	Sirroco Fan Assy	9379570015
23	Rubber (Vibration Proof)	9379644006
24	Casing B	9379572019
25	Casing U	9379571012
26	Fan Motor Assy (ARU7)	9603139018
26	Fan Motor Assy (9, 12)	9603283018
27	Drain Pump Sub Assy	9379914055
28	Float Switch Sub Assy	9378593022
29	Drain Hose Assy	9379913003
30	Hose Sub Assy	9378450141

INDOOR UNIT
SLIM DUCT
ARU18RLF
(Serial number : R)



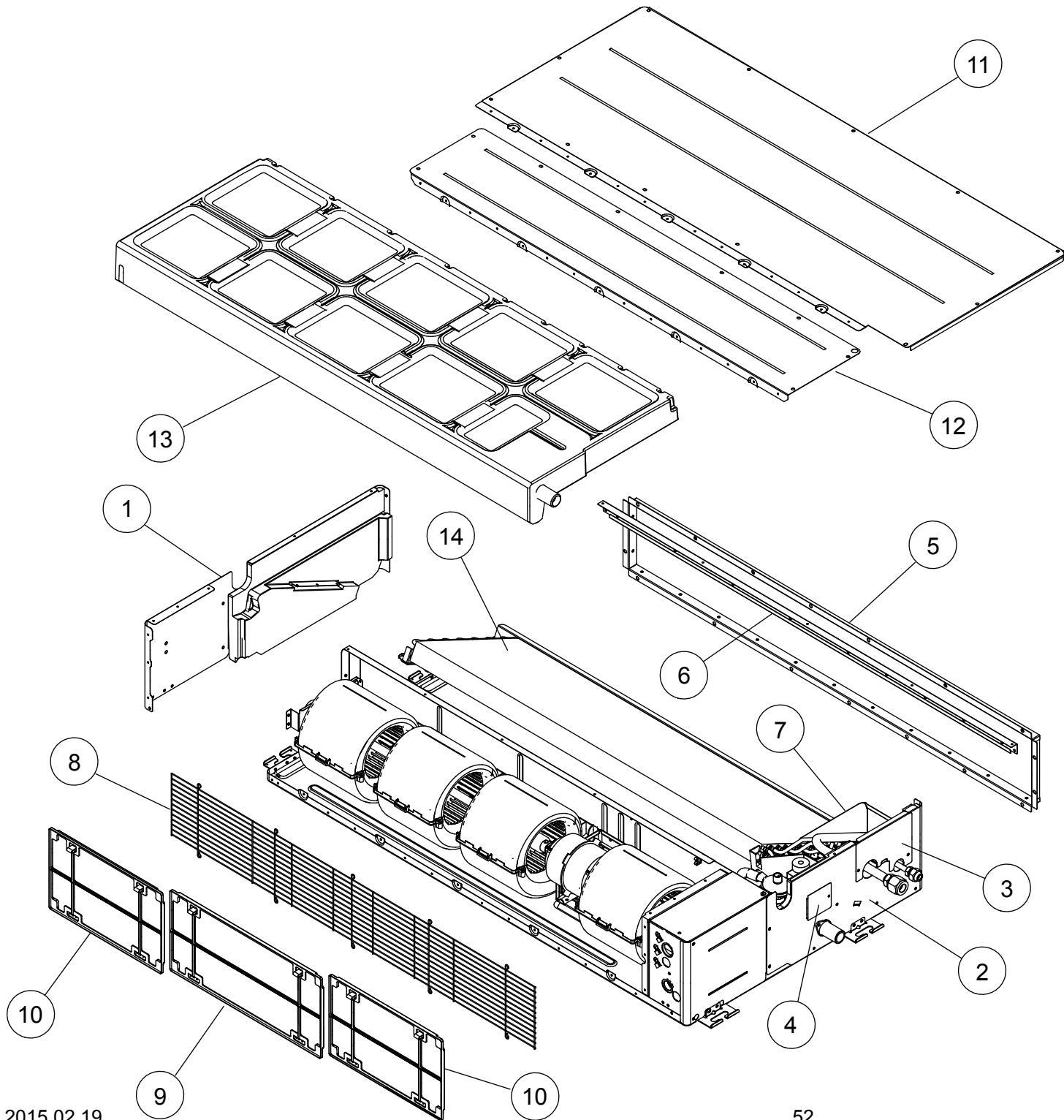
Ref	Description	Parts number
1	Side Panel R Sub Assy	9379906012
2	Side Panel L Sub Assy	9379907019
3	Pipe Panel Sub Assy	9379900003
4	Panel (Window) Sub Assy	9379915007
5	Outlet Frame Assy	9380042013
6	Front Panel (3 Fan)	9380595007
7	Valve Cover Sub Assy	9379576017
8	Fan Guard (3 Fan)	9380590002
9	Air Filter	9379575003
10	Main Panel (3 Fan)	9380603016
11	Cabinet Panel (3 Fan)	9380598008
12	Drain Pan Sub Assy	9379914055
13	Evaporator Total Assy	9380682066

INDOOR UNIT
SLIM DUCT
ARU18RLF
(Serial number : R)



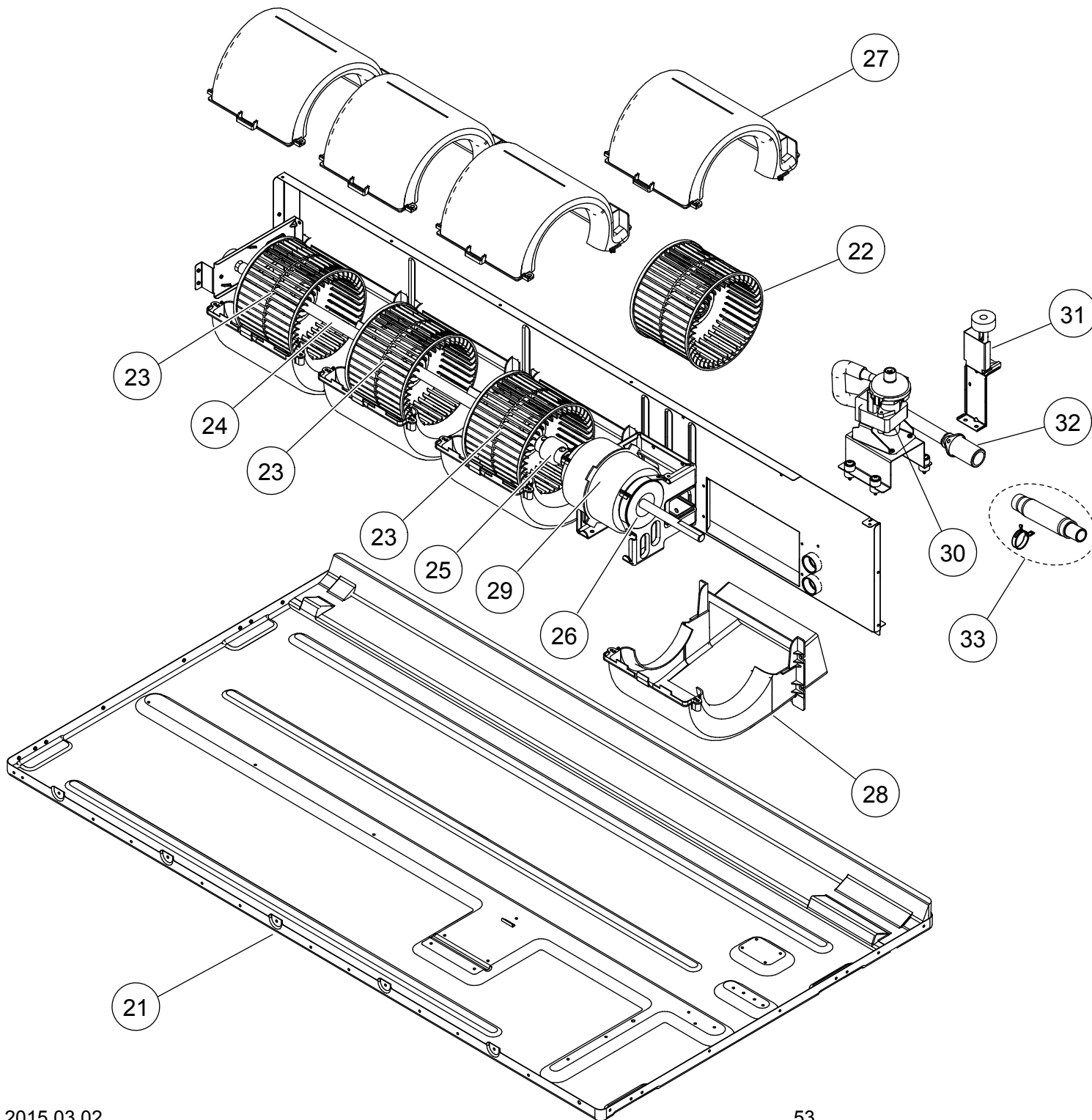
Ref	Description	Parts number
21	Top Panel Sub Assy	9379908047
22	Sirroco Fan Assy	9379570022
23	Sirroco Fan Assy	9379570039
24	Shaft	9381053001
25	Joint Assy	9378038011
26	Rubber (Vibration Proof)	9379644006
27	Casing B	9379572019
28	Casing U	9379571012
29	Fan Motor Assy	9603284015
30	Drain Pump Sub Assy	9379914055
31	Float Switch Sub Assy	9378593022
32	Drain Hose Assy	9379913003
33	Hose Sub Assy	9378450141

INDOOR UNIT
SLIM DUCT
ARU24RLF
(Serial number : R)



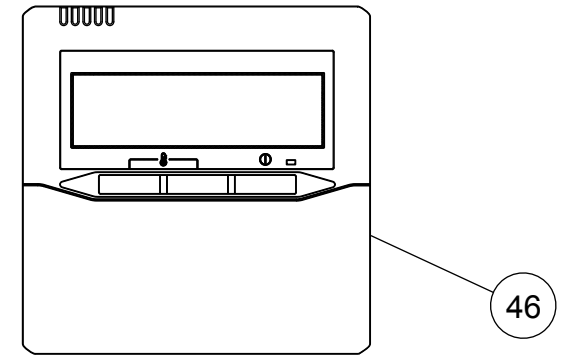
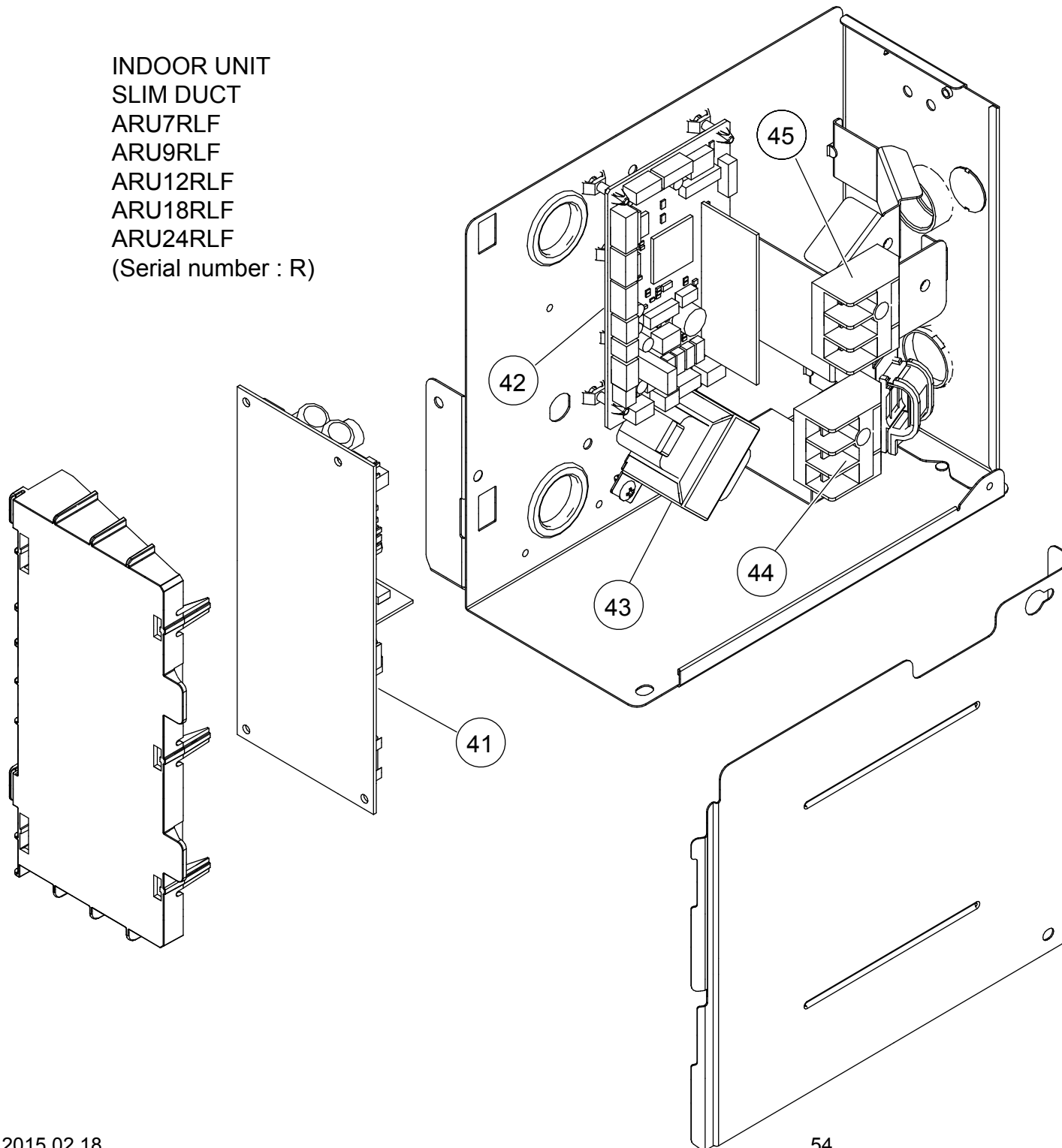
Ref	Description	Parts number
1	Side Panel R Sub Assy	9379906012
2	Side Panel L Sub Assy	9379907019
3	Pipe Panel Sub Assy	9379900003
4	Panel (Window) Sub Assy	9379915007
5	Outlet Frame Assy	9380042020
6	Front Panel (4 Fan)	9380596004
7	Valve Cover Sub Assy	9379576017
8	Fan Guard (4 Fan)	9380591009
9	Air Filter	9379575003
10	Air Filter	9379574006
11	Main Panel (4 Fan)	9380604013
12	Cabinet Panel (4 Fan)	9380599005
13	Drain Pan Sub Assy	9379901185
14	Evaporator Total Assy	9380682073

INDOOR UNIT
SLIM DUCT
ARU24RLF
(Serial number : R)



Ref.	Description	Parts number
21	Top Panel Sub Assy	9379908054
22	Sirroco Fan Assy	9379570022
23	Sirroco Fan Assy	9379570039
24	Shaft Assy	9381052011
25	Joint Assy	9378038011
26	Rubber (Vibration Proof)	9379644006
27	Casing B	9379572019
28	Casing U	9379571012
29	Fan Motor Assy	9603284015
30	Pump Assy	9900472054
31	Float Switch Sub Assy	9378593022
32	Drain Hose Assy	9379913003
33	Hose Sub Assy	9378450141

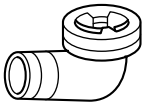
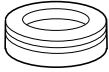
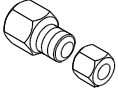
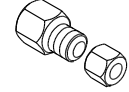
INDOOR UNIT
 SLIM DUCT
 ARU7RLF
 ARU9RLF
 ARU12RLF
 ARU18RLF
 ARU24RLF
 (Serial number : R)



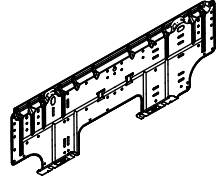
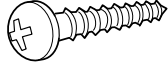
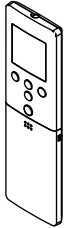
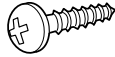

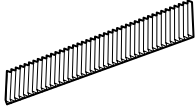
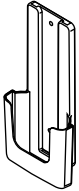
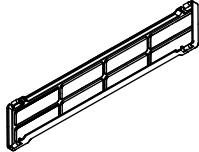
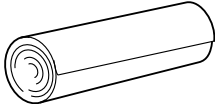
Ref	Description	Parts number
41	Power Supply PCB	9707398243
42	Main PCB (ARU7RLF)	9709928059
42	Main PCB (ARU9RLF)	9709928066
42	Main PCB (ARU12RLF)	9709928073
42	Main PCB (ARU18RLF)	9709928080
42	Main PCB (ARU24RLF)	9709928097
43	Reactor Assy	9707457018
44	Terminal 3P	9306489045
45	Terminal 3P (Wired Remote)	9703345012
46	Wired Remote Control	9318593006
--	Room Thermistor	9900653019
--	Pipe Thermistor	9900881016

ACCESSORIES

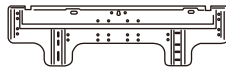

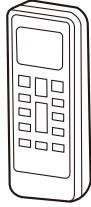
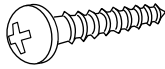

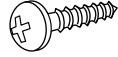

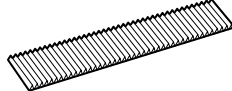
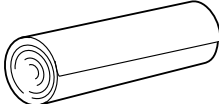
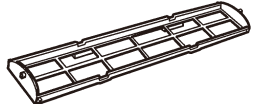
OUTDOOR UNIT AOU36RLXFZ1

Name and Shape	Q'ty	Use	Part No.
Drain pipe 	1	For outdoor unit drain piping work	9303029015
Drain cap 	5		313166024302
Adapter D 12.7 mm → 9.52 mm (1/2 in.) (3/8 in.) 	1	For use when connecting models 9-12 to outdoor port A	9370244007
Adapter G assy 12.7 mm → 15.88 mm (1/2 in.) (5/8 in.) 	1	For use when connecting models 24 to outdoor port A	9374749034

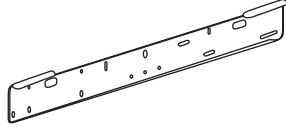

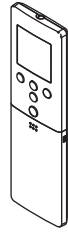


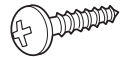
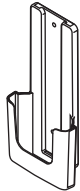
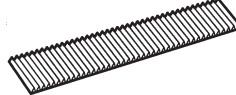
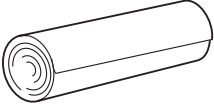
INDOOR UNIT
 COMPACT WALL MOUNTED
 ASU7RLF1, ASU9RLF1, ASU12RLF1, ASU15RLF1

Parts	Q'ty	Parts	Q'ty
Bracket Panel 	1	Tapping screw (M4 x 25 mm) 	5
Remote control 	1	Tapping screw (M3 x 12 mm) 	2
Battery 	2	Air cleaning filter 	2
Remote control holder 	1	Filter holder 	2
Cloth tape 	1		


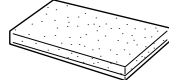

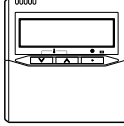




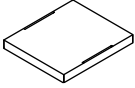
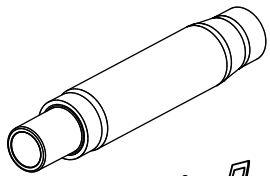

INDOOR UNIT
 WALL MOUNTED
 ASU18RLF, ASU24RLF

Parts	Q'ty	Parts	Q'ty
Wall hook bracket 	1	Drain hose insulation 	1
Remote control 	1	Tapping screw (big) 	8
Battery 	2	Tapping screw (small) 	2
Remote control holder 	1	Air cleaning filter 	2
Cloth tape 	1	Air cleaning filter frame 	2

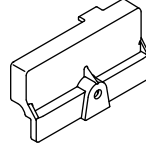
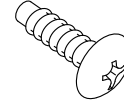
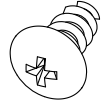
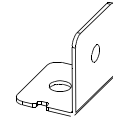

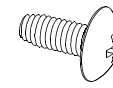
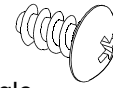
INDOOR UNIT
 FLOOR
 AGU9RLF, AGU12RLF, AGU15RLF

Parts	Q'ty	Parts	Q'ty
Wall hook bracket 	1	Cable tie 	1
Remote control 	1	Tapping screw (M4 x 25 mm) 	9
Battery 	2	Tapping screw (M3 x 12 mm) 	2
Remote control holder 	1	Air cleaning filter 	2
Cloth tape 	1		

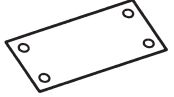
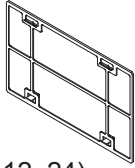

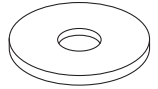
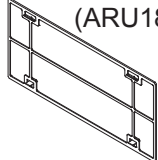
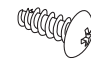
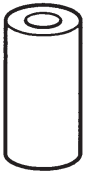
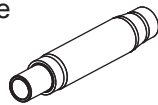





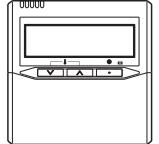
**INDOOR UNIT
COMPACT CASSETTE
AUU7RLF, AUU9RLF, AUU12RLF, AUU18RLF**

Parts	Q'ty	Parts	Q'ty
Coupler heat insulation (Large)  For indoor side pipe joint (Gas pipe)	1	Drain hose insulation  For installing drain pipe	1
Coupler heat insulation (Small)  For indoor side pipe joint (Liquid pipe)	1	Remote control  	1
Special nut A (Large flange)  For installing indoor unit	4	Remote control cable  For connecting a remote control	1
Special nut B (Small flange)  For installing indoor unit	4	Tapping screw (M4 x 16 mm)  For installing a wired remote control	2
Template (carton top)  For ceiling openings cutting Also used as packing	1		
Drain hose  	1		
Hose band 	1		

**DECORATION PANEL
UTG-CCGF**

Parts	Q'ty	Parts	Q'ty
Connector cover  For covering connector	1		
Tapping screw (M5 x 12 mm)  For mounting decoration panel	4		
Tapping Screw (M4 x 12 mm)  For mounting connector cover	1		
L angle  For mounting a hook wire to a decoration panel	2		
Hook wire  For suspending a decoration panel	2		
Screw [pitch small] (M4 x 10 mm)  For mounting a hook wire (for metals)	2		
Screw [pitch large] (M4 x 10 mm)  For mounting an L angle and hook wire (for resins)	4		

INDOOR UNIT
SLIM DUCT
ARU7RLF, ARU9RLF, ARU12RLF ARU18RLF, ARU24RLF

Parts	Q'ty	Parts	Q'ty	Parts	Q'ty
Installation template  For positioning an indoor unit	1	Filter (Small)  (ARU7, 9L, 12, 24)	2	Remote control cable 	1
Washer  For installing indoor unit	8	Filter (Big)  (ARU18RLF) (ARU24RLF)	2 1	Screw (M4 x 16 mm) 	2
Coupler heat insulation (large) For indoor side pipe joint (large pipe) 	1	Drain hose  For installing drain pipe VP25 (O.D.32, I.D.26)	1		
Coupler heat insulation (small) For indoor side pipe joint (small pipe) 	1	Hose band  For installing drain hose	1		
Binder (small)  For power supply and transmission and remote control cable binding.	3	Drain hose insulation B  Insulates the drain hose	1		
Binder (large)  For fixing the coupler heat insulation.	4	Remote control 	1		

1502G4408