

**Submission Data: 36RLXFZ1  
Inverter Driven Heat Pump**

**36,000 BTU Multi-Zone System**

Job Name: \_\_\_\_\_

Date: \_\_\_\_\_

Location: \_\_\_\_\_

Approval: \_\_\_\_\_

Engineer: \_\_\_\_\_

Construction: \_\_\_\_\_

Submitted to: \_\_\_\_\_

Unit #: \_\_\_\_\_

Submitted by: \_\_\_\_\_

Drawing #: \_\_\_\_\_

Reference: \_\_\_\_\_

**General Features**

- Wired or wireless remote
- Apple catechin filter
- Ion deodorizing filter
- Auto louver: up/down
- Auto louver: 4-way
- Low ambient cooling
- Blue fin coating
- Standard Warranty: 5 years parts, 7 years compressor. Applies to systems purchased before June 1<sup>st</sup> 2015\*
- Extended Warranty: 10 years parts, 10 years compressor. Systems that have been installed on or after June 1<sup>st</sup> 2015 by licensed contractors and the online Product Registration has been submitted.\*\*
- Elite Contractor Extended Warranty: 12 years parts, 12 years compressor. Systems that have been installed on or after June 1<sup>st</sup> 2015 by contractors who have met requirements and have been approved for elite contractor status plus, the online Product Registration has been submitted.\*\*\*

**Model Information**

Condenser..... AOU36RLXFZ1  
Evaporator^..... (ASU) / (ARU) / (AGU) / (AAU) 7,9,12,18RLF(1)  
Connectable indoor units..... 2 - 4  
Total capacity range..... 27,000 – 39,000 Btu/h

**Electrical**..... 208/230V AC 1ph-60Hz  
Available Voltage Range..... 208/230 +/- 10%  
Minimum Circuit Ampacity..... 24.6 A  
Max Fuse Size..... 30 A

**Current**

Starting Current..... 17.1 A  
Operating Current..... 20.3 A  
Cooling..... (non-duct) 15.4 A / (ducted) 17.1 A / (mix) 15.9 A  
Heating..... (non-duct) 13.1 A / (ducted) 15.1 A / (mix) 14.1 A

**Input Power**

Cooling..... (non-duct) 3.52 kW / (ducted) 3.92 kW / (mix) 3.71 kW  
Heating..... (non-duct) 3.00 kW / (ducted) 3.22 kW / (mix) 3.11 kW

**Capacity**

Nominal Cooling..... 35,200 Btu/h  
Min-Max Cooling..... 11,000 – 38,000 Btu/h  
Nominal Heating..... 36,400 Btu/h  
Min-Max Heating..... 11,000 – 42,000 Btu/h

**Compressor**

..... DC Twin Rotary (inv x1)  
Motor Output..... 2,100 W  
Refrigerant..... R410a  
Pre-Charge..... 7 lbs. 1 oz.  
Oil..... RB68

**Fan Motor**

Type: DC (condenser)..... Propeller x1  
Motor Output (condenser)..... 100 W  
Type: DC (evaporator)..... (wall-mount) Cross flow  
(compact cassette) Turbo  
(ducted) Sirocco x2 (18 k x3)  
(floor) Cross flow x2

Motor Output (Evaporator)..... (wall) 30-42W (compact cassette) 54W (ducted) 80-81W  
(floor) 16W

**Heat Exchanger**

Dimensions (condenser)  
(H x W x D) in. (mm)..... 31-13/32 x 35-7/16 x 1-7/16 (798x900x36.38)  
Fin Pitch..... 20 FPI  
Rows x Stages..... 2 x 38  
Pipe Type (Material)..... Grooved H-Pin (Copper)  
Fin Type (Material)..... Aluminum (Blue fin)



**Operation Temperature Range**

Cooling..... 14°F (-10°C) - 115°F (46°C)  
Heating..... 5°F (-15°C) - 75°F (24°C)

**Efficiency**

SEER^..... 18.0 (wall-mount) 16.0 (duct) 17.0 (mix)  
EER (cooling)..... 10.0 Btu/W (wall-mount) 9.0 Btu/W(duct) 9.5 Btu/W(mix)  
COP (heating)..... 3.56 W/W (wall-mount) 3.32 W/W (duct) 3.44 W/W(mix)  
HSPF (heating)..... 9.4 (wall-mount) 8.7 (duct) 9.1 (mix)

**Enclosure** (condenser)

Material..... Painted galvanized steel  
Color..... Beige (10 YR 7.5/1.0 NN)

**Sound Pressure Level**

Cooling..... 53 dB(A)  
Heating..... 55 dB (A)

**Dimensions**

H x W x D (condenser)  
Net in. (mm)..... 32-11/16 x 35-7/16 x 13 (830x900x330)  
Gross in. (mm)..... 38-3/16 x 41-5/16 x 17-1/2 (970x1,050x445)

**Connection Pipe**

Liquid..... 1/4" (6.35 mm) x4  
Gas..... 3/8" (9.52 mm) x3 + 1/2" (12.70 mm) x1  
Method (Liquid/Gas)..... Brazing  
Pre-charge length (Total)..... 164 ft. (50m)  
Max length (Total)..... 230 ft. (70m)  
Max length (Each)..... 82 ft. (25m)  
Min. length (Total)..... 66 ft. (20m)  
Min length (Each)..... 16ft. (5m)  
Max Height Difference..... 49 ft. (15m)

**Weight**

Condenser..... 149 lbs. (68kg)  
Evaporators..... (wall-mount) 19 lbs. - 31 lbs.  
(compact cassette) 33 lbs.  
(ducted) 37 lbs. - 49 lbs.  
(floor) 31 lbs.

**Accessories**

UTY-RVNUM..... Wired remote control (backlit, displays room temp.)  
UTY-RNNUM..... Wired remote control  
UTY-RSNUM..... Wired remote control (simple)

**Intertek®ETL Number**

AOU36RLXFZ1..... 91987

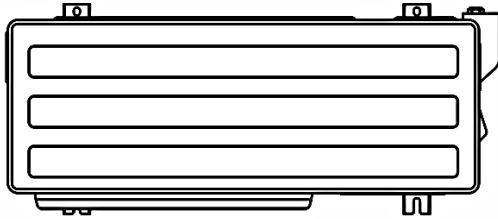
\*Reference brochures for approved combinations. \*\*Test conditions are based on AHRI 210/240. Note: Specifications are based on the following conditions. Cooling: Indoor temperature of 80°F (26.7°C) DB/67°F (19.44°C) WB, and outdoor temperature of 95°F (35°C) DB/79°F (23.9°C) WB. Heating: Indoor temperature of 70°F (21.1°C) DB/59°F (15°C) WB, and outdoor temperature of 47°F (8.3°C) DB/43°F (6.1°C) WB. Pipe length: 24ft. 3in. (7.5m). Height difference: 0ft. (0m) (Outdoor unit - indoor unit). \*\*Standard warranty / \*\*\*10 year warranty / \*\*\*\*12 year warranty



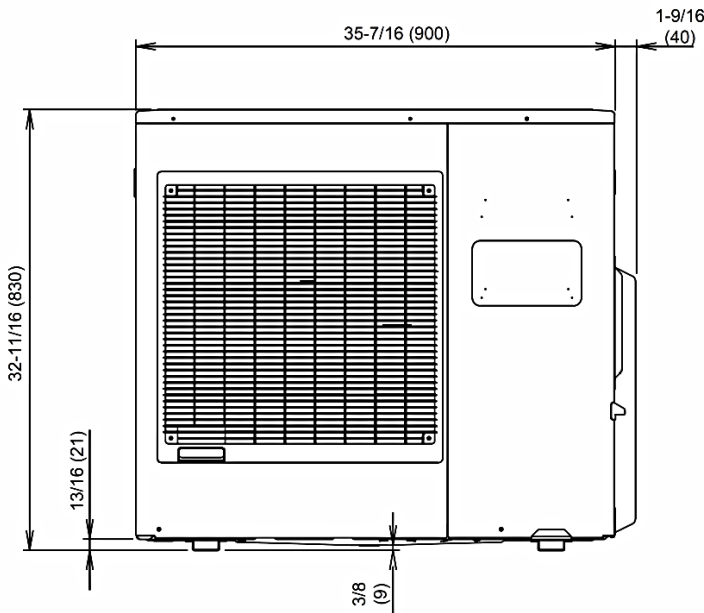
Fujitsu General America, Inc.  
353 Route 46 West  
Fairfield, NJ 07004  
Toll Free: 1-888-888-3424  
Fax: (973) 836-0447  
www.fujitsugeneral.com

## Dimensions:36RLXFZ1

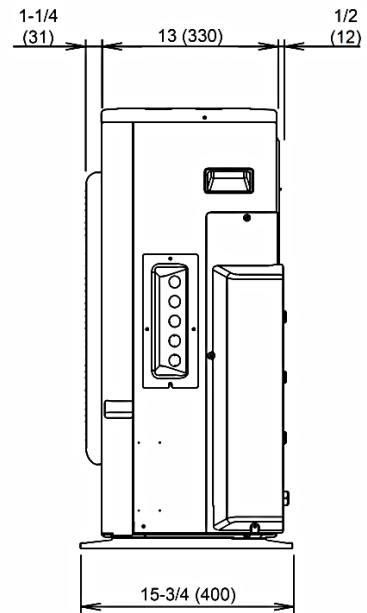
[Unit: in. (mm)]



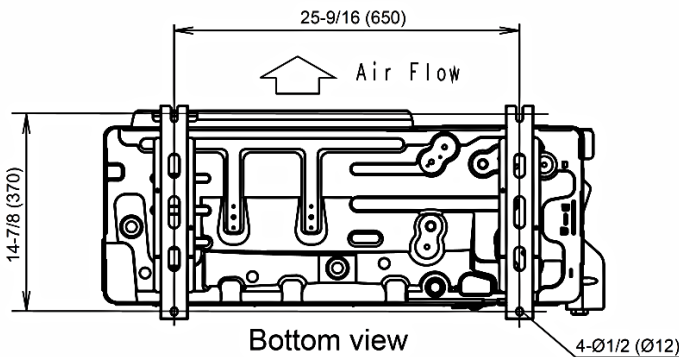
Top view



Front view



Side view



Bottom view

