

# REPAIR PARTS

---

## AWUF Vertical Mount Air Handlers

AWUF18051AA  
AWUF18051BA  
AWUF180516AA  
AWUF18081AA  
AWUF18081BA  
AWUF180816AA  
AWUF24051AA  
AWUF24051BA  
AWUF240516AA  
AWUF24081AA  
AWUF24081BA  
AWUF240816AA  
AWUF24101AA  
AWUF24101BA  
AWUF241016AA  
AWUF30051AA  
AWUF300516AA  
AWUF30081AA  
AWUF300816AA  
AWUF30101AA  
AWUF301016AA  
AWUF36051AA  
AWUF360516AA  
AWUF36081AA  
AWUF360816AA  
AWUF36101AA  
AWUF361016AA  
AWUF370516AA  
AWUF370816AA  
AWUF371016AA



This manual is to be used by qualified technicians only.

This manual replaces RP-373F.

© 2005 - 2008 , 2017 Goodman Manufacturing Company, L.P. ♦ 5151 San Felipe St., Suite 500 ♦ Houston, TX 77056

# Important Information

---

## Index

Functional Parts List .....	3
Illustration and Parts .....	4 - 7

*Views shown are for parts illustrations only, not servicing procedures*

This system uses R410A refrigerant. If sealed system work is required, use approved equipment and follow service procedures. Refer to Service Manual or Installation Instructions for service procedures.

Revision G: Replaced BT1141643 sequencer with B1256558 sequencer

Rev. F: Added missing drain pans.

### Text Codes:

AR - As Required

NA - Not Available

NS - Not Shown

00000000 - See Note

QTY - Quantity Example (QTY 3) (If Quantity not shown, Quantity = 1)

M - Model Example (M1) (If M Code not shown, then part is used on all Models)

### Expanded Model Nomenclature:

Example M1 - Model#1 M2 - Model#2 M3 - Model#3
---

Goodman Manufacturing Company, L.P. is not responsible for personal injury or property damage resulting from improper service. Review all service information before beginning repairs.

Warranty service must be performed by an authorized technician, using authorized factory parts. If service is required after the warranty expires, Goodman Manufacturing Company, L.P. also recommends contacting an authorized technician and using authorized factory parts.

Goodman Manufacturing Company, L.P. reserves the right to discontinue, or change at any time, specifications or designs without notice or without incurring obligations.

For assistance within the U.S.A. contact:

Homeowner Support

Goodman Manufacturing Company, L.P.

19001 Kermier Road

Waller, Texas 77484

877-254-4729-Telephone

713-863-2382-Facsimile

For assistance outside the U.S.A. contact:

International Division

Goodman Manufacturing Company, L.P.

19001 Kermier Road

Waller, Texas 77484

713-861-2500-Telephone

713-863-2382-Facsimile

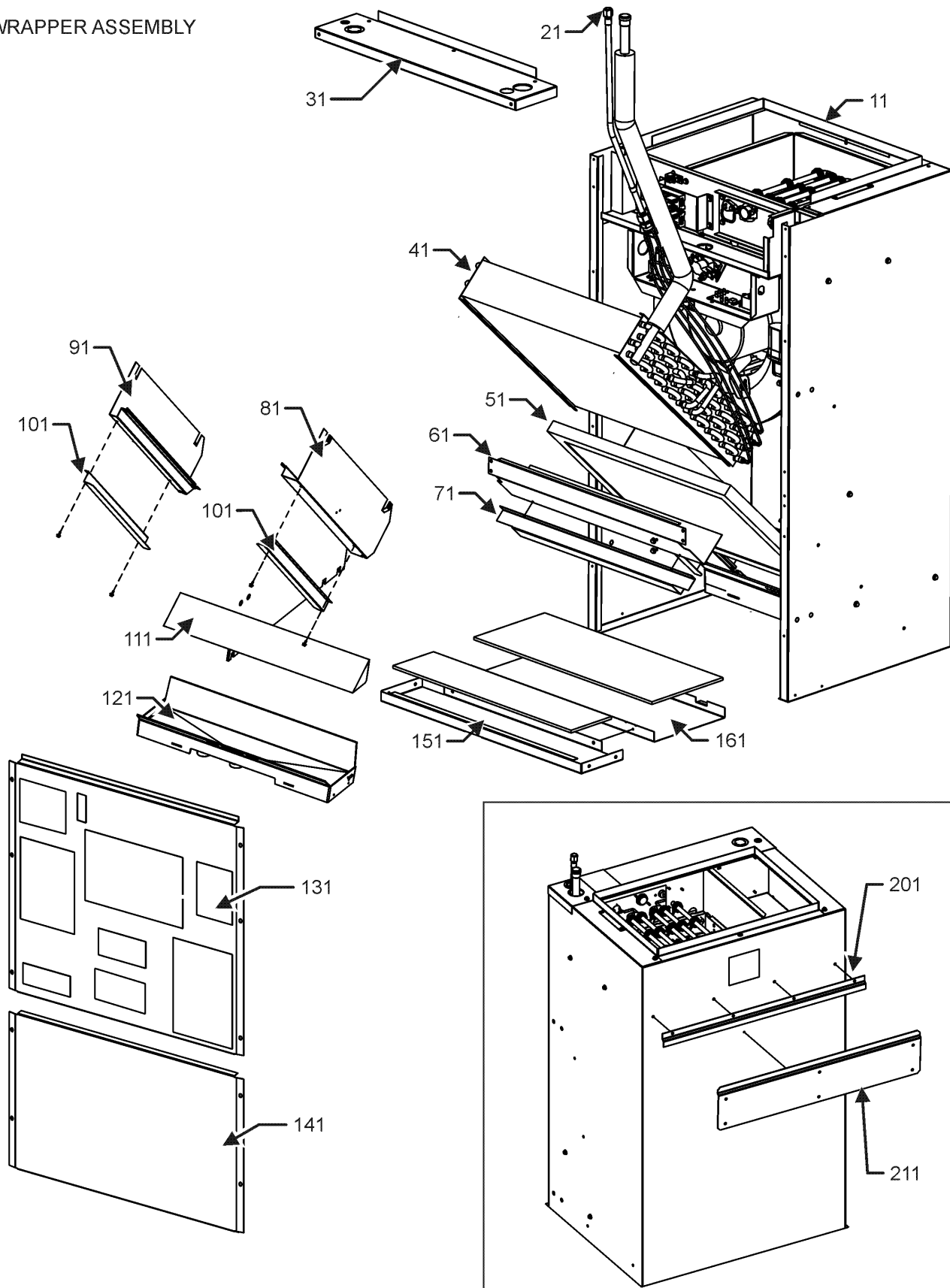
# Functional Parts

**Part No:**            **Description:**

Part No:	Description:	Expanded Model Nomenclature
BT1420039	ASSY, 10 KW HEATER LRG (M30)	M1 - AWUF18051AA
BT1420034	ASSY, 10 KW HEATER LRG (M20, M21, M26, M27)	M2 - AWUF18051BA
BT1420031	ASSY, 10 KW HEATER SML (M13, M14, M15)	M3 - AWUF180516AA
BT1420032	ASSY, 5 KW HEATER LRG (M16, M17, M22, M23, M28)	M4 - AWUF18081AA
BT1420029	ASSY, 5 KW HEATER SML (M1, M2, M3, M7, M8, M9)	M5 - AWUF18081BA
BT1420030	ASSY, 7.3 KW HEATER SML (M4, M5, M6, M10, M11, M12)	M6 - AWUF180816AA
BT1420040	ASSY, 8 KW HEATER LRG (M29)	M7 - AWUF24051AA
BT1420033	ASSY, 8 KW HEATER LRG (M18, M19, M24, M25)	M8 - AWUF24051BA
0131M00103S	BLOWER MOTOR 1/2 HP, X13 PROGRAMMED (M28, M29, M30)	M9 - AWUF240516AA
BT1340031	BLOWER MOTOR 1/3 HP, 2 SP, 6 PL (M16, M17, M18, M19, M20, M21, M22, M23, M24, M25, M26, M27)	M10 - AWUF24081AA
BT1340030S	BLOWER MOTOR 1/5 HP, 2 SP, 6 PL (M1, M2, M3, M4, M5, M6, M7, M8, M9, M10, M11, M12, M13, M14, M15)	M11 - AWUF24081BA
CAP075000370VAS	CAPACITOR 7.5/370V (M1, M2, M3, M4, M5, M6, M7, M8, M9, M10, M11, M12, M13, M14, M15, M16, M17, M18, M19, M20, M21, M22, M23, M24, M25, M26, M27)	M12 - AWUF240816AA
PCBFM103	ELECTRONIC BLOWER TIME DELAY (M1, M2, M3, M4, M5, M6, M7, M8, M9, M10, M11, M12, M13, M14, M15, M16, M17, M18, M19, M20, M21, M22, M23, M24, M25, M26, M27)	M13 - AWUF24101AA
B1370752	HEAT RELAY 208-230, 460, 575 (M28, M29, M30)	M14 - AWUF24101BA
BT1243752	PRIMARY LIMIT	M15 - AWUF241016AA
0200086001P	THERMAL LIMIT	M16 - AWUF30051AA
B1141643	TRANSFORMER 208/230, 24V	M17 - AWUF300516AA
		M18 - AWUF30081AA
		M19 - AWUF300816AA
		M20 - AWUF30101AA
		M21 - AWUF301016AA
		M22 - AWUF36051AA
		M23 - AWUF360516AA
		M24 - AWUF36081AA
		M25 - AWUF360816AA
		M26 - AWUF36101AA
		M27 - AWUF361016AA
		M28 - AWUF370516AA
		M29 - AWUF370816AA
		M30 - AWUF371016AA

# WRAPPER ASSEMBLY

## WRAPPER ASSEMBLY

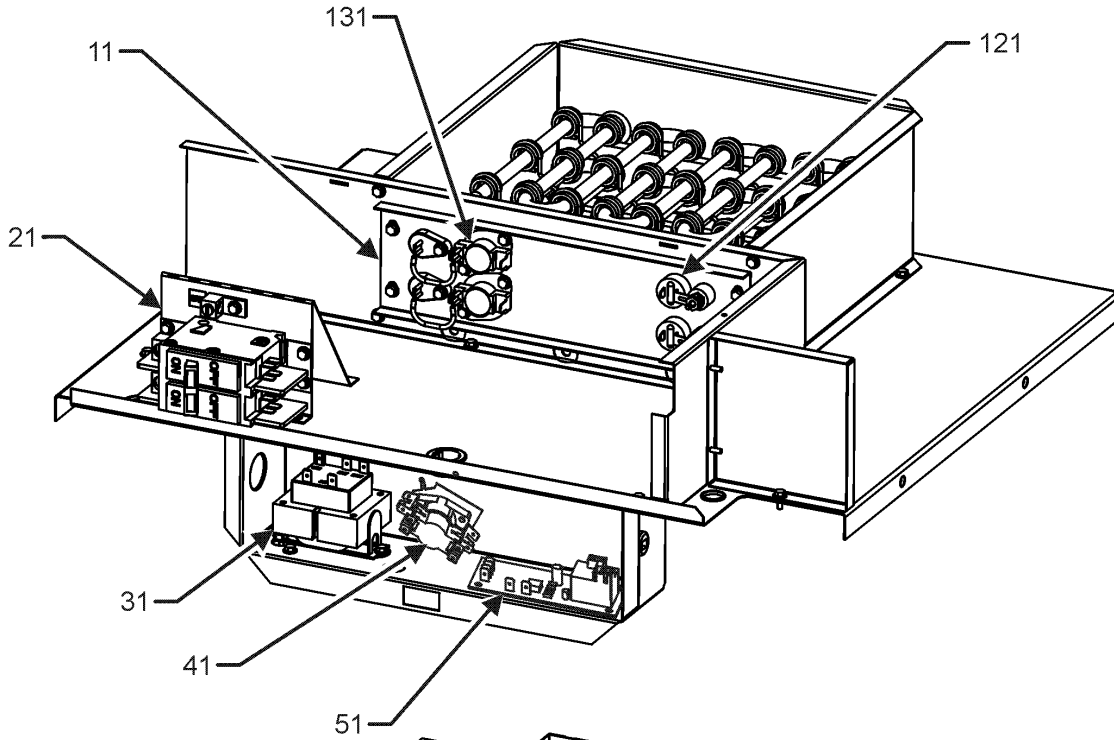


# WRAPPER ASSEMBLY

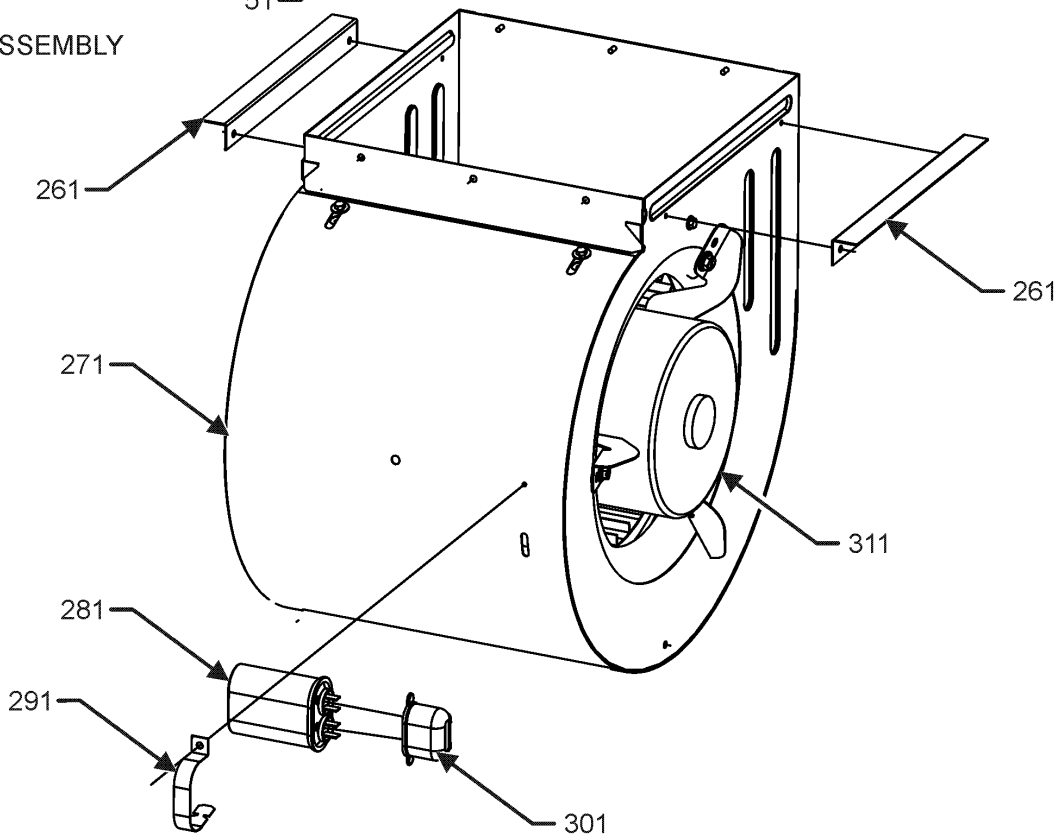
Ref. Part No: No:	Description:	Ref. Part No: No:	Description:																														
<b>Image 1:</b>		<b>Image 1:</b>																															
11 3750010	WRAPPER ASSY LRG (M16, M17, M18, M19, M20, M21, M22, M23, M24, M25, M26, M27, M28, M29, M30)	151 3702303	BOTTOM TIE PLATE SML (M1, M2, M3, M4, M5, M6, M7, M8, M9, M10, M11, M12, M13, M14, M15)																														
11 3750006	WRAPPER ASSY SML (M1, M2, M3, M4, M5, M6, M7, M8, M9, M10, M11, M12, M13, M14, M15)	161 3701500	ACCESS PANEL, DRAIN LRG (M16, M17, M18, M19, M20, M21, M22, M23, M24, M25, M26, M27, M28, M29, M30)																														
21 0162A00000P	FLOWRATOR (M1, M2, M3, M4, M5, M6)	161 3701502	ACCESS PANEL, DRAIN SML (M1, M2, M3, M4, M5, M6, M7, M8, M9, M10, M11, M12, M13, M14, M15)																														
21 0162A00004	FLOWRATOR (M28, M29, M30)	201 3702500	HANGING BRACKET LRG (M16, M17, M18, M19, M20, M21, M22, M23, M24, M25, M26, M27, M28, M29, M30)																														
21 BT1369011	FLOWRATOR .011 (M22, M23, M24, M25, M26, M27)	201 3702501	HANGING BRACKET SML (M1, M2, M3, M4, M5, M6, M7, M8, M9, M10, M11, M12, M13, M14, M15)																														
21 BT1369076	FLOWRATOR .076 (M16, M17, M18, M19, M20, M21)	211 3702800	HANGING BRACKET, FIELD																														
31 3702105	TOP WRAPPER LRG (M16, M17, M18, M19, M20, M21, M22, M23, M24, M25, M26, M27, M28, M29, M30)	NS 3701242	DRIP SHIELD LRG (M16, M17, M18, M19, M20, M21, M22, M23, M24, M25, M26, M27, M28, M29, M30)																														
31 3702104	TOP WRAPPER SML (M1, M2, M3, M4, M5, M6, M7, M8, M9, M10, M11, M12, M13, M14, M15)	NS BT1787000	VALVE CORE																														
41 0270A00114S	TUBING ASSY, EVAP COIL (M16, M18, M20)	<b>Expanded Model Nomenclature</b>																															
41 0270A00138S	TUBING ASSY, EVAP COIL (M2, M5, M8, M11, M14)	<table border="1"> <tr><td>M1 - AWUF18051AA</td></tr> <tr><td>M2 - AWUF18051BA</td></tr> <tr><td>M3 - AWUF180516AA</td></tr> <tr><td>M4 - AWUF18081AA</td></tr> <tr><td>M5 - AWUF18081BA</td></tr> <tr><td>M6 - AWUF180816AA</td></tr> <tr><td>M7 - AWUF24051AA</td></tr> <tr><td>M8 - AWUF24051BA</td></tr> <tr><td>M9 - AWUF240516AA</td></tr> <tr><td>M10 - AWUF24081AA</td></tr> <tr><td>M11 - AWUF24081BA</td></tr> <tr><td>M12 - AWUF240816AA</td></tr> <tr><td>M13 - AWUF24101AA</td></tr> <tr><td>M14 - AWUF24101BA</td></tr> <tr><td>M15 - AWUF241016AA</td></tr> <tr><td>M16 - AWUF30051AA</td></tr> <tr><td>M17 - AWUF300516AA</td></tr> <tr><td>M18 - AWUF30081AA</td></tr> <tr><td>M19 - AWUF300816AA</td></tr> <tr><td>M20 - AWUF30101AA</td></tr> <tr><td>M21 - AWUF301016AA</td></tr> <tr><td>M22 - AWUF36051AA</td></tr> <tr><td>M23 - AWUF360516AA</td></tr> <tr><td>M24 - AWUF36081AA</td></tr> <tr><td>M25 - AWUF360816AA</td></tr> <tr><td>M26 - AWUF36101AA</td></tr> <tr><td>M27 - AWUF361016AA</td></tr> <tr><td>M28 - AWUF370516AA</td></tr> <tr><td>M29 - AWUF370816AA</td></tr> <tr><td>M30 - AWUF371016AA</td></tr> </table>		M1 - AWUF18051AA	M2 - AWUF18051BA	M3 - AWUF180516AA	M4 - AWUF18081AA	M5 - AWUF18081BA	M6 - AWUF180816AA	M7 - AWUF24051AA	M8 - AWUF24051BA	M9 - AWUF240516AA	M10 - AWUF24081AA	M11 - AWUF24081BA	M12 - AWUF240816AA	M13 - AWUF24101AA	M14 - AWUF24101BA	M15 - AWUF241016AA	M16 - AWUF30051AA	M17 - AWUF300516AA	M18 - AWUF30081AA	M19 - AWUF300816AA	M20 - AWUF30101AA	M21 - AWUF301016AA	M22 - AWUF36051AA	M23 - AWUF360516AA	M24 - AWUF36081AA	M25 - AWUF360816AA	M26 - AWUF36101AA	M27 - AWUF361016AA	M28 - AWUF370516AA	M29 - AWUF370816AA	M30 - AWUF371016AA
M1 - AWUF18051AA																																	
M2 - AWUF18051BA																																	
M3 - AWUF180516AA																																	
M4 - AWUF18081AA																																	
M5 - AWUF18081BA																																	
M6 - AWUF180816AA																																	
M7 - AWUF24051AA																																	
M8 - AWUF24051BA																																	
M9 - AWUF240516AA																																	
M10 - AWUF24081AA																																	
M11 - AWUF24081BA																																	
M12 - AWUF240816AA																																	
M13 - AWUF24101AA																																	
M14 - AWUF24101BA																																	
M15 - AWUF241016AA																																	
M16 - AWUF30051AA																																	
M17 - AWUF300516AA																																	
M18 - AWUF30081AA																																	
M19 - AWUF300816AA																																	
M20 - AWUF30101AA																																	
M21 - AWUF301016AA																																	
M22 - AWUF36051AA																																	
M23 - AWUF360516AA																																	
M24 - AWUF36081AA																																	
M25 - AWUF360816AA																																	
M26 - AWUF36101AA																																	
M27 - AWUF361016AA																																	
M28 - AWUF370516AA																																	
M29 - AWUF370816AA																																	
M30 - AWUF371016AA																																	
41 0270A00192S	TUBING ASSY, EVAP COIL (M28, M29, M30)																																
41 0270A00244	TUBING ASSY, EVAP COIL (M17, M19, M21)																																
41 0270A00250	TUBING ASSY, EVAP COIL (M23, M25, M27)																																
41 0270A00255	TUBING ASSY, EVAP COIL (M3, M6)																																
41 0270A00257	TUBING ASSY, EVAP COIL (M9, M12, M15)																																
41 3796003S	TUBING ASSY, EVAP COIL (M22, M24, M26)																																
41 3796007S	TUBING ASSY, EVAP COIL (M7, M10, M13)																																
41 3796008S	TUBING ASSY, EVAP COIL (M1, M4)																																
51 BT1369604	AIR FILTER 14 X 18 X 1 (M1, M2, M3, M4, M5, M6, M7, M8, M9, M10, M11, M12, M13, M14, M15)																																
51 BT1369606	AIR FILTER 16 X 20 X 1 (M16, M17, M18, M19, M20, M21, M22, M23, M24, M25, M26, M27)																																
51 BT1369608	AIR FILTER 18 X 20 X 1 (M28, M29, M30)																																
61 0121A00046	CENTER TIE PLATE (M28, M29, M30)																																
61 3702300	CENTER TIE PLATE (M16, M17, M18, M19, M20, M21, M22, M23, M24, M25, M26, M27)																																
61 3702302	CENTER TIE PLATE SML (M1, M2, M3, M4, M5, M6, M7, M8, M9, M10, M11, M12, M13, M14, M15)																																
71 3701802	FILTER OFFSET BRACKET SML (M1, M2, M3, M4, M5, M6, M7, M8, M9, M10, M11, M12, M13, M14, M15)																																
81 3701231	GUTTER RAIL, RIGHT LRG (M16, M17, M18, M19, M20, M21, M28, M29, M30)																																
81 3701224	GUTTER RAIL, RIGHT SML (M2, M3, M5, M6, M8, M9, M11, M12, M14, M15)																																
91 3701232	GUTTER RAIL, LEFT LRG (M16, M17, M18, M19, M20, M21, M28, M29, M30)																																
91 3701225	GUTTER RAIL, LEFT SML (M2, M3, M5, M6, M8, M9, M11, M12, M14, M15)																																
101 3701203	FILTER SUPPORT SML (M2, M3, M5, M6, M8, M9, M11, M12, M14, M15)																																
111 BT5200018	AIR DAM LRG (M16, M17, M18, M19, M20, M21, M28, M29, M30)																																
111 BT5200017	AIR DAM SML (M2, M3, M5, M6, M8, M9, M11, M12, M14, M15)																																
121 BT3076501	DRAIN PAN LRG (M16, M17, M18, M19, M20, M21, M22, M23, M24, M25, M26, M27, M28, M29, M30)																																
121 BT3076500	DRAIN PAN SML (M1, M2, M3, M4, M5, M6, M7, M8, M9, M10, M11, M12, M13, M14, M15)																																
131 3770031	ACCESS PANEL, FRONT LRG (M16, M17, M18, M19, M20, M21, M22, M23, M24, M25, M26, M27, M28, M29, M30)																																
131 3770030	FRONT PANEL SML (M1, M2, M3, M4, M5, M6, M7, M8, M9, M10, M11, M12, M13, M14, M15)																																
141 3701505	LOWER ACCESS PANEL-FRONT (M1, M2, M3, M4, M5, M6, M7, M8, M9, M10, M11, M12, M13, M14, M15)																																
151 3702301	BOTTOM TIE PLATE LRG (M16, M17, M18, M19, M20, M21, M22, M23, M24, M25, M26, M27, M28, M29, M30)																																

# CONTROL BOX and BLOWER ASSEMBLY

## CONTROL BOX ASSEMBLY



## BLOWER ASSEMBLY



# CONTROL BOX and BLOWER ASSEMBLY

Ref. Part No: No:	Description:	Ref. Part No: No:	Description:																														
<b>Image 1:</b>		<b>Image 1:</b>																															
11	BT1420034 ASSY, 10 KW HEATER LRG (M20, M21, M26, M27)	NS	B1393322 MACHINE SCREW HWH 1/4-20 X 1-1/2 BZ (M28, M29, M30)																														
11	BT1420039 ASSY, 10 KW HEATER LRG (M30)	NS	B1393323 MACHINE SCREW HWH 1/4-20 X 1-1/2 BZ (M28, M29, M30)																														
11	BT1420031 ASSY, 10 KW HEATER SML (M13, M14, M15)	NS	B1376861 MOTOR MOUNT ARM (M28, M29, M30)																														
11	BT1420032 ASSY, 5 KW HEATER LRG (M16, M17, M22, M23, M28)	NS	0121M00038 MOTOR MOUNT BAND (M28, M29, M30)																														
11	BT1420029 ASSY, 5 KW HEATER SML (M1, M2, M3, M7, M8, M9)	NS	0130A00005 X-13 LOW VOLTAGE WIRE HARNESS (M28, M29, M30)																														
11	BT1420030 ASSY, 7.3 KW HEATER SML (M4, M5, M6, M10, M11, M12)	NS	0130M00022 X-13 POWER HARNESS (M28, M29, M30)																														
11	BT1420033 ASSY, 8 KW HEATER LRG (M18, M19, M24, M25)	<b>Expanded Model Nomenclature</b>																															
11	BT1420040 ASSY, 8 KW HEATER LRG (M29)	<table border="1"> <tr><td>M1 - AWUF18051AA</td></tr> <tr><td>M2 - AWUF18051BA</td></tr> <tr><td>M3 - AWUF180516AA</td></tr> <tr><td>M4 - AWUF18081AA</td></tr> <tr><td>M5 - AWUF18081BA</td></tr> <tr><td>M6 - AWUF180816AA</td></tr> <tr><td>M7 - AWUF24051AA</td></tr> <tr><td>M8 - AWUF24051BA</td></tr> <tr><td>M9 - AWUF240516AA</td></tr> <tr><td>M10 - AWUF24081AA</td></tr> <tr><td>M11 - AWUF24081BA</td></tr> <tr><td>M12 - AWUF240816AA</td></tr> <tr><td>M13 - AWUF24101AA</td></tr> <tr><td>M14 - AWUF24101BA</td></tr> <tr><td>M15 - AWUF241016AA</td></tr> <tr><td>M16 - AWUF30051AA</td></tr> <tr><td>M17 - AWUF300516AA</td></tr> <tr><td>M18 - AWUF30081AA</td></tr> <tr><td>M19 - AWUF300816AA</td></tr> <tr><td>M20 - AWUF30101AA</td></tr> <tr><td>M21 - AWUF301016AA</td></tr> <tr><td>M22 - AWUF36051AA</td></tr> <tr><td>M23 - AWUF360516AA</td></tr> <tr><td>M24 - AWUF36081AA</td></tr> <tr><td>M25 - AWUF360816AA</td></tr> <tr><td>M26 - AWUF36101AA</td></tr> <tr><td>M27 - AWUF361016AA</td></tr> <tr><td>M28 - AWUF370516AA</td></tr> <tr><td>M29 - AWUF370816AA</td></tr> <tr><td>M30 - AWUF371016AA</td></tr> </table>		M1 - AWUF18051AA	M2 - AWUF18051BA	M3 - AWUF180516AA	M4 - AWUF18081AA	M5 - AWUF18081BA	M6 - AWUF180816AA	M7 - AWUF24051AA	M8 - AWUF24051BA	M9 - AWUF240516AA	M10 - AWUF24081AA	M11 - AWUF24081BA	M12 - AWUF240816AA	M13 - AWUF24101AA	M14 - AWUF24101BA	M15 - AWUF241016AA	M16 - AWUF30051AA	M17 - AWUF300516AA	M18 - AWUF30081AA	M19 - AWUF300816AA	M20 - AWUF30101AA	M21 - AWUF301016AA	M22 - AWUF36051AA	M23 - AWUF360516AA	M24 - AWUF36081AA	M25 - AWUF360816AA	M26 - AWUF36101AA	M27 - AWUF361016AA	M28 - AWUF370516AA	M29 - AWUF370816AA	M30 - AWUF371016AA
M1 - AWUF18051AA																																	
M2 - AWUF18051BA																																	
M3 - AWUF180516AA																																	
M4 - AWUF18081AA																																	
M5 - AWUF18081BA																																	
M6 - AWUF180816AA																																	
M7 - AWUF24051AA																																	
M8 - AWUF24051BA																																	
M9 - AWUF240516AA																																	
M10 - AWUF24081AA																																	
M11 - AWUF24081BA																																	
M12 - AWUF240816AA																																	
M13 - AWUF24101AA																																	
M14 - AWUF24101BA																																	
M15 - AWUF241016AA																																	
M16 - AWUF30051AA																																	
M17 - AWUF300516AA																																	
M18 - AWUF30081AA																																	
M19 - AWUF300816AA																																	
M20 - AWUF30101AA																																	
M21 - AWUF301016AA																																	
M22 - AWUF36051AA																																	
M23 - AWUF360516AA																																	
M24 - AWUF36081AA																																	
M25 - AWUF360816AA																																	
M26 - AWUF36101AA																																	
M27 - AWUF361016AA																																	
M28 - AWUF370516AA																																	
M29 - AWUF370816AA																																	
M30 - AWUF371016AA																																	
21	BT1753510 PULL OUT DISCONNECT																																
31	B1141643 TRANSFORMER 208/230, 24V																																
41	B1256551 SEQUENCER 5 KW (M7, M8, M9, M16, M17, M22, M23, M28)																																
41	B1256558 SEQUENCER 5 KW (M1, M2, M3)																																
41	B1256552 SEQUENCER 8 - 10 KW (M4, M5, M6, M10, M11, M12, M13, M14, M15, M18, M19, M20, M21, M24, M25, M26, M27, M29, M30)																																
51	PCBFM103 ELECTRONIC BLOWER TIME DELAY (M1, M2, M3, M4, M5, M6, M7, M8, M9, M10, M11, M12, M13, M14, M15, M16, M17, M18, M19, M20, M21, M22, M23, M24, M25, M26, M27)																																
261	3702702 BLOWER ANGLE 6.063" (M1, M2, M3, M4, M5, M6, M7, M8, M9, M10, M11, M12, M13, M14, M15)																																
261	3702701 BLOWER ANGLE 8.531" (M16, M17, M18, M19, M20, M21, M22, M23, M24, M25, M26, M27, M28, M29, M30)																																
271	3760202S BLOWER HOUSING (M16, M17, M18, M19, M20, M21, M22, M23, M24, M25, M26, M27, M28, M29, M30)																																
271	3760200S BLOWER HOUSING ASSY (M1, M2, M3, M4, M5, M6, M7, M8, M9, M10, M11, M12, M13, M14, M15)																																
281	CAP075000370VACAPACITOR 7.5/370V (M1, M2, M3, M4, M5, M6, M7, M8, M9, M10, M11, M12, M13, M14, M15, M16, M17, M18, M19, M20, M21, M22, M23, M24, M25, M26, M27)																																
291	3784800 CAPACITOR STRAP (M1, M2, M3, M4, M5, M6, M7, M8, M9, M10, M11, M12, M13, M14, M15, M16, M17, M18, M19, M20, M21, M22, M23, M24, M25, M26, M27)																																
301	B821700 CAPACITOR BOOT (M20, M21, M26, M27)																																
311	0131M00103S BLOWER MOTOR 1/2 HP, X13 PROGRAMMED (M28, M29, M30)																																
311	BT1340031 BLOWER MOTOR 1/3 HP, 2 SP, 6 PL (M16, M17, M18, M19, M20, M21, M22, M23, M24, M25, M26, M27)																																
311	BT1340030S BLOWER MOTOR 1/5 HP, 2 SP, 6 PL (M1, M2, M3, M4, M5, M6, M7, M8, M9, M10, M11, M12, M13, M14, M15)																																
321	0200086001P THERMAL LIMIT																																
331	BT1243752 PRIMARY LIMIT																																
NS	3739000 BLOWER CUT-OFF 6" (M1, M2, M3, M4, M5, M6, M7, M8, M9, M10, M11, M12, M13, M14, M15)																																
NS	3739002 BLOWER CUT-OFF LRG (M16, M17, M18, M19, M20, M21, M22, M23, M24, M25, M26, M27, M28, M29, M30)																																
NS	BT1368008S BLOWER WHEEL 10 X 6 (M5, M6, M7, M8, M9, M10, M11, M12, M13, M14, M15)																																
NS	B1368016 BLOWER WHEEL 10 X 8 (M28, M29, M30)																																
NS	B1368042 BLOWER WHEEL 9 X 6 (M1, M2, M3, M4)																																
NS	B1368036 BLOWER WHEEL 9 X 8 (M16, M17, M18, M19, M20, M21, M22, M23, M24, M25, M26, M27)																																
NS	0130A00004 FUSE HOLDER (M28, M29, M30)																																
NS	B1370752 HEAT RELAY 208-230, 460, 575 (M28, M29, M30)																																
NS	B1393800 LOCKNUT, NYLON, INSERT 1/4, 20 (M28, M29, M30)																																