

# TECHNICAL SUPPORT MANUAL

## Horizontal Evaporator Coils

### ENH4X

#### Safety Labeling and Signal Words

##### **DANGER, WARNING, CAUTION, and NOTE**

The signal words **DANGER, WARNING, CAUTION, and NOTE** are used to identify levels of hazard seriousness. The signal word **DANGER** is only used on product labels to signify an immediate hazard. The signal words **WARNING, CAUTION, and NOTE** will be used on product labels and throughout this manual and other manuals that may apply to the product.

**DANGER** – Immediate hazards which **will** result in severe personal injury or death.

**WARNING** – Hazards or unsafe practices which **could** result in severe personal injury or death.

**CAUTION** – Hazards or unsafe practices which **may** result in minor personal injury or product or property damage.

**NOTE** – Used to highlight suggestions which **will** result in enhanced installation, reliability, or operation.

##### **Signal Words in Manuals**

The signal word **WARNING** is used throughout this manual in the following manner:



The signal word **CAUTION** is used throughout this manual in the following manner:



##### **Signal Words on Product Labeling**

Signal words are used in combination with colors and/or pictures on product labels.

#### **TABLE OF CONTENTS**

Model Number Identification .....	2
Airflow Tables .....	3 – 5
Exploded Drawing .....	6
ENH4X**C Parts List .....	7
ENH4X**T Parts List .....	8

#### **MODELS**

ENH4X24C17A1	ENH4X24T17A1
ENH4X30C17A1	ENH4X30T17A1
ENH4X31C17A1	ENH4X31T17A1
ENH4X36C17A1	ENH4X36T17A1
ENH4X42C21A1	ENH4X42T21A1
ENH4X43C21A1	ENH4X43T21A1
ENH4X48C21A1	ENH4X48T21A1
ENH4X60C24A1	ENH4X60T24A1
ENH4X61C24A1	ENH4X61T24A1

#### **WARNING**

##### **ELECTRICAL SHOCK HAZARD**

**Failure to turn off electric power could result in personal injury or death.**

**Before installing or servicing system, turn off main power to the system. There may be more than one disconnect switch, including accessory heater(s).**

COIL MODEL NUMBER IDENTIFICATION GUIDE										
Digit Position	1	2	3	4	5	6,7	8	9,10	11	12
	<b>E</b>	<b>N</b>	<b>H</b>	<b>4</b>	<b>X</b>	<b>24</b>	<b>C</b>	<b>17</b>	<b>A</b>	<b>1</b>
E = Evaporator										
B = Builder										
D = Standard										
N = N Coil		<b>TYPE</b>								
A = Uncased										
D = Cased Upflow/Downflow										
M = Cased Multiposition (Upflow/Downflow/Horizontal)										
W = Cased Upflow/Downflow for narrower furnaces										
H = Cased Horizontal		<b>INSTALLATION</b>								
4 = Environmentally Sound R-410A				<b>REFRIGERANT</b>						
P = Piston										
X = TXV				<b>METERING DEVICE</b>						
18 = 18,000 BTUH = 1½ tons										
19 = 18,000 BTUH = 1½ tons										
24 = 24,000 BTUH = 2 tons										
30 = 30,000 BTUH = 2½ tons										
31 = 30,000 BTUH = 2½ tons										
36 = 36,000 BTUH = 3 tons										
37 = 36,000 BTUH = 3 tons										
42 = 42,000 BTUH = 3½ tons										
43 = 42,000 BTUH = 3½ tons										
48 = 48,000 BTUH = 4 tons										
60 = 60,000 BTUH = 5 tons										
61 = 60,000 BTUH = 5 tons				<b>NOMINAL CAPACITY</b>						
C = Plain Copper										
T = Tin Coated Copper						<b>HAIRPIN MATERIAL</b>				
14 = 14-3/16"										
17 = 17-1/2"										
21 = 21"										
24 = 24-1/2"								<b>WIDTH</b>		
Sales Digit (Major Revision)										
Engineering Digit (Minor Revision)										

COOLING CAPACITIES (MBH)																	
UNIT SIZE	INDOOR COIL AIR		SATURATED TEMPERATURE LEAVING EVAPORATOR °F (°C)														
			30 (-1)			35 (2)			40 (4)			45 (7)			50 (10)		
	CFM	EWB	TC	SHC	BF	TC	SHC	BF	TC	SHC	BF	TC	SHC	BF	TC	SHC	BF
24	600	72 (22)	39.00	19.00	0.00	36.00	17.50	0.00	32.70	15.90	0.00	28.80	14.10	0.00	24.60	12.30	0.01
		67 (19)	32.80	19.80	0.01	29.80	18.20	0.01	26.30	16.40	0.01	22.40	14.60	0.02	18.10	12.60	0.02
		62 (17)	27.20	20.50	0.02	24.00	18.70	0.02	20.50	16.90	0.02	16.60	15.00	0.02	13.10	13.10	0.05
	800	72 (22)	47.10	22.80	0.00	43.60	21.10	0.00	39.60	19.30	0.00	35.00	17.30	0.02	29.90	15.10	0.02
		67 (19)	39.80	24.20	0.03	36.10	22.30	0.03	32.00	20.30	0.03	27.30	18.10	0.03	22.00	15.90	0.03
		62 (17)	33.10	25.40	0.03	29.30	23.40	0.03	25.10	21.20	0.03	20.50	19.00	0.04	16.70	16.70	0.09
	1000	72 (22)	53.40	25.90	0.00	49.50	24.20	0.00	45.10	22.10	0.02	40.00	19.90	0.03	34.10	17.50	0.04
		67 (19)	45.30	27.90	0.05	41.20	25.90	0.05	36.60	23.70	0.05	31.30	21.30	0.05	25.20	18.70	0.05
		62 (17)	37.80	29.60	0.05	33.60	27.40	0.05	28.80	25.10	0.05	23.80	22.70	0.06	20.00	20.00	0.13
30	750	72 (22)	48.00	23.50	0.00	44.00	21.40	0.00	39.70	19.20	0.00	34.80	17.00	0.00	29.40	14.60	0.01
		67 (19)	40.30	24.20	0.01	36.20	22.00	0.02	31.80	19.70	0.02	26.80	17.40	0.02	21.40	15.00	0.02
		62 (17)	33.20	24.80	0.02	29.10	22.50	0.02	24.60	20.20	0.02	19.90	17.90	0.02	15.60	15.60	0.05
	1000	72 (22)	58.70	28.50	0.00	53.90	26.10	0.00	48.50	23.60	0.00	42.50	20.90	0.02	35.80	18.10	0.03
		67 (19)	49.40	29.90	0.03	44.40	27.30	0.03	38.90	24.60	0.04	32.90	21.70	0.04	26.20	18.80	0.04
		62 (17)	40.80	30.90	0.04	35.80	28.20	0.04	30.30	25.40	0.04	24.60	22.60	0.05	19.90	19.90	0.10
	1250	72 (22)	67.40	32.70	0.00	61.90	30.10	0.00	55.70	27.30	0.02	48.80	24.20	0.04	41.10	21.00	0.05
		67 (19)	56.80	34.70	0.05	51.20	31.80	0.06	44.90	28.70	0.06	37.80	25.50	0.06	30.10	22.20	0.06
		62 (17)	47.10	36.30	0.06	41.30	33.20	0.06	35.00	30.10	0.06	28.60	27.00	0.07	23.70	23.70	0.14
31	750	72 (22)	74.50	37.07	0.00	68.51	33.85	0.00	61.86	30.50	0.00	54.41	27.00	0.00	46.04	23.35	0.00
		67 (19)	62.13	37.73	0.01	56.03	34.37	0.01	49.24	30.87	0.01	41.66	27.24	0.01	32.96	23.39	0.01
		62 (17)	50.98	38.20	0.01	44.75	34.72	0.01	37.95	31.17	0.01	30.17	27.36	0.01	23.70	23.70	0.06
	1000	72 (22)	92.35	45.51	0.00	85.01	41.76	0.00	76.78	37.78	0.00	67.46	33.54	0.01	57.03	29.08	0.01
		67 (19)	77.15	46.96	0.02	69.62	42.94	0.02	61.18	38.71	0.02	51.69	34.27	0.02	41.04	29.62	0.02
		62 (17)	63.39	48.06	0.02	55.66	43.85	0.02	47.21	39.53	0.02	38.21	35.15	0.02	30.59	30.59	0.08
	1250	72 (22)	107.37	52.63	0.00	98.97	48.52	0.00	89.37	44.04	0.01	78.59	39.23	0.02	66.39	34.13	0.02
		67 (19)	89.89	54.97	0.03	81.19	50.47	0.03	71.37	45.67	0.03	60.28	40.57	0.03	47.77	35.20	0.03
		62 (17)	73.97	56.83	0.03	64.99	52.05	0.03	55.22	47.14	0.03	44.93	42.16	0.04	36.94	36.94	0.11
36	900	72 (22)	58.10	28.30	0.00	53.40	25.90	0.00	48.00	23.30	0.00	42.10	20.60	0.01	35.50	17.80	0.02
		67 (19)	48.90	29.50	0.02	44.00	26.90	0.03	38.50	24.20	0.03	32.50	21.30	0.03	25.90	18.40	0.03
		62 (17)	40.40	30.40	0.03	35.40	27.70	0.03	29.90	24.90	0.03	24.20	22.10	0.04	19.40	19.40	0.08
	1200	72 (22)	70.00	33.90	0.00	64.30	31.20	0.00	57.80	28.30	0.02	50.70	25.10	0.04	42.70	21.80	0.05
		67 (19)	58.90	35.90	0.05	53.10	32.90	0.05	46.50	29.70	0.05	39.30	26.40	0.06	31.20	22.90	0.06
		62 (17)	48.80	37.50	0.06	42.80	34.30	0.06	36.30	31.00	0.06	29.60	27.80	0.06	24.40	24.40	0.13
	1500	72 (22)	79.30	38.60	0.00	72.90	35.60	0.02	65.70	32.30	0.05	57.50	28.80	0.06	48.50	25.10	0.07
		67 (19)	67.00	41.30	0.08	60.40	38.00	0.08	53.00	34.40	0.08	44.70	30.70	0.08	35.50	26.80	0.09
		62 (17)	55.70	43.60	0.09	48.80	40.00	0.09	41.60	36.50	0.09	34.20	32.90	0.10	28.80	28.80	0.18
42	1050	72 (22)	74.40	36.30	0.00	68.10	33.10	0.00	61.20	29.70	0.00	53.50	26.20	0.01	45.00	22.60	0.02
		67 (19)	62.30	37.60	0.02	56.00	34.20	0.03	48.90	30.60	0.03	41.20	27.00	0.03	32.80	23.30	0.03
		62 (17)	51.40	38.60	0.03	44.90	35.00	0.03	37.90	31.40	0.03	30.60	27.80	0.04	24.40	24.40	0.08
	1400	72 (22)	90.20	43.80	0.00	82.60	40.10	0.00	74.10	36.20	0.01	64.70	32.00	0.04	54.40	27.60	0.05
		67 (19)	75.80	46.00	0.05	68.00	42.00	0.05	59.40	37.70	0.06	50.00	33.40	0.06	39.60	28.90	0.06
		62 (17)	62.60	47.70	0.06	54.70	43.50	0.06	46.20	39.20	0.06	37.50	35.00	0.07	30.70	30.70	0.13
	1750	72 (22)	103.00	50.00	0.00	94.30	46.00	0.00	84.60	41.50	0.05	73.90	36.80	0.06	62.00	32.00	0.07
		67 (19)	86.70	53.10	0.08	77.80	48.60	0.08	68.00	43.90	0.08	57.10	39.00	0.08	45.20	33.90	0.09
		62 (17)	71.70	55.70	0.09	62.70	50.90	0.09	53.10	46.20	0.09	43.40	41.50	0.10	36.30	36.30	0.18
43	1050	72 (22)	96.72	47.64	0.00	89.31	43.85	0.00	80.91	39.78	0.00	71.39	35.44	0.00	60.74	30.89	0.01
		67 (19)	80.93	49.26	0.01	73.30	45.20	0.01	64.67	40.88	0.01	54.97	36.34	0.01	43.99	31.53	0.01
		62 (17)	66.64	50.56	0.01	58.77	46.28	0.01	50.10	41.84	0.01	40.70	37.29	0.02	32.63	32.63	0.07
	1400	72 (22)	117.07	57.30	0.00	108.20	53.03	0.00	98.03	48.31	0.01	86.74	43.33	0.02	73.81	37.96	0.02
		67 (19)	98.18	60.23	0.03	89.03	55.55	0.03	78.69	50.55	0.03	66.93	45.19	0.03	53.54	39.46	0.03
		62 (17)	81.03	62.70	0.03	71.60	57.72	0.03	61.25	52.56	0.03	50.15	47.21	0.03	41.46	41.46	0.11
	1750	72 (22)	133.38	65.28	0.00	123.30	60.58	0.02	111.98	55.48	0.03	99.21	50.01	0.04	84.49	44.04	0.04
		67 (19)	112.09	69.50	0.04	101.79	64.41	0.05	90.14	58.95	0.05	76.76	52.99	0.05	61.46	46.55	0.05
		62 (17)	92.72	73.26	0.05	82.16	67.85	0.05	70.58	62.18	0.05	58.38	56.24	0.06	49.33	49.33	0.15

— Continued on next page —

Legend:

CFM – Cubic Ft. per Minute      EWB – Entering Wet Bulb      LWB – Leaving Wet Bulb      TC – Gross Cooling Capacity 1000 Btuh  
 SHC – Gross Sensible Capacity 1000 Btuh      BF – Bypass Factor      MBH – 1000 Btuh

See notes following.

COOLING CAPACITIES (MBH) (cont)																	
UNIT SIZE	INDOOR COIL AIR		SATURATED TEMPERATURE LEAVING EVAPORATOR °F (°C)														
			30 (-1)			35 (2)			40 (4)			45 (7)			50 (10)		
	CFM	EWB	TC	SHC	BF	TC	SHC	BF	TC	SHC	BF	TC	SHC	BF	TC	SHC	BF
48	1200	72 (22)	79.30	38.70	0.00	72.90	35.40	0.00	65.70	31.90	0.00	57.70	28.20	0.00	48.80	24.40	0.01
		67 (19)	66.60	40.20	0.02	60.00	36.60	0.02	52.70	32.90	0.02	44.60	29.10	0.02	35.70	25.10	0.03
		62 (17)	55.00	41.30	0.03	48.30	37.60	0.03	40.90	33.80	0.03	33.10	30.00	0.03	26.30	26.30	0.07
	1600	72 (22)	96.00	46.60	0.00	88.30	42.90	0.00	79.60	38.90	0.00	69.90	34.50	0.03	59.10	30.00	0.04
		67 (19)	80.90	49.20	0.04	72.90	45.00	0.04	64.10	40.70	0.05	54.20	36.10	0.05	43.30	31.40	0.05
		62 (17)	67.00	51.20	0.05	58.80	46.80	0.05	49.90	42.30	0.05	40.70	37.90	0.05	33.30	33.30	0.11
	2000	72 (22)	109.40	53.10	0.00	100.70	49.10	0.00	90.90	44.60	0.03	79.90	39.80	0.05	67.50	34.70	0.06
		67 (19)	92.40	56.70	0.06	83.40	52.20	0.07	73.30	47.40	0.07	62.00	42.20	0.07	49.50	36.90	0.07
		62 (17)	76.70	59.70	0.07	67.50	54.90	0.08	57.40	49.90	0.08	47.20	44.90	0.08	39.50	39.50	0.16
60	1600	72 (22)	103.20	50.40	0.00	94.40	45.90	0.00	84.80	41.10	0.00	74.10	36.30	0.00	62.40	31.20	0.02
		67 (19)	86.40	52.10	0.02	77.50	47.20	0.02	67.80	42.30	0.02	57.10	37.20	0.03	45.40	32.10	0.03
		62 (17)	71.20	53.30	0.03	62.20	48.30	0.03	52.40	43.30	0.03	42.30	38.30	0.03	33.50	33.50	0.07
	2000	72 (22)	120.70	58.70	0.00	110.40	53.60	0.00	99.00	48.20	0.00	86.40	42.50	0.02	72.60	36.70	0.03
		67 (19)	101.20	61.30	0.03	90.70	55.70	0.04	79.20	50.00	0.04	66.60	44.10	0.04	52.80	38.10	0.05
		62 (17)	83.40	63.20	0.05	72.80	57.40	0.05	61.40	51.60	0.05	49.70	46.00	0.05	40.30	40.30	0.11
	2400	72 (22)	135.60	65.80	0.00	124.10	60.30	0.00	111.20	54.40	0.01	97.00	48.00	0.04	81.30	41.50	0.05
		67 (19)	113.90	69.30	0.05	102.10	63.20	0.06	89.10	56.90	0.06	74.80	50.30	0.06	59.20	43.60	0.06
		62 (17)	94.10	72.10	0.06	82.10	65.70	0.06	69.30	59.30	0.06	56.40	53.00	0.07	46.50	46.50	0.14
61	1600	72 (22)	142.31	69.71	0.00	131.14	64.12	0.00	118.67	58.20	0.00	104.55	51.83	0.01	88.62	45.08	0.02
		67 (19)	119.05	72.45	0.02	107.63	66.45	0.02	94.79	60.09	0.02	80.30	53.36	0.02	63.94	46.26	0.02
		62 (17)	97.96	74.63	0.03	86.21	68.29	0.02	73.29	61.74	0.02	59.53	55.08	0.03	48.11	48.11	0.09
	2000	72 (22)	164.20	80.16	0.00	151.58	74.13	0.00	137.25	67.52	0.02	121.04	60.38	0.03	102.61	52.74	0.03
		67 (19)	137.68	84.38	0.04	124.66	77.75	0.04	109.89	70.63	0.04	93.13	63.00	0.04	74.14	54.89	0.04
		62 (17)	113.54	87.89	0.04	100.05	80.79	0.04	85.34	73.48	0.04	69.79	65.96	0.05	57.86	57.86	0.12
	2400	72 (22)	182.47	89.12	0.00	168.62	82.68	0.02	152.91	75.56	0.04	134.97	67.83	0.04	114.48	59.50	0.05
		67 (19)	153.40	94.82	0.05	139.05	87.71	0.05	122.70	80.00	0.05	104.07	71.67	0.06	82.87	62.74	0.06
		62 (17)	126.74	99.73	0.06	111.87	92.08	0.06	95.76	84.19	0.06	78.98	76.01	0.07	66.58	66.58	0.16

Legend:

CFM – Cubic Ft. per Minute      EWB – Entering Wet Bulb      LWB – Leaving Wet Bulb      TC – Gross Cooling Capacity 1000 Btuh  
 SHC – Gross Sensible Capacity 1000 Btuh      BF – Bypass Factor      MBH – 1000 Btuh

See notes following.

**NOTES:**

- Contact manufacturer for cooling capacities at conditions other than shown in table.
- Formulas:  

$$\text{Leaving db} = \text{entering db} - \frac{\text{sensible heat cap.}}{1.09 \times \text{CFM}}$$

$$\text{Leaving wb} = \text{wb corresponding to enthalpy of air leaving coil (h}_{LWB})$$

$$h_{LWB} = h_{EWB} - \frac{\text{total capacity (Btuh)}}{4.5 \times \text{CFM}}$$
 Where  $h_{EWB}$  = enthalpy of air entering coil
- SHC is based on 80°F (27°C) db temperature of air entering the evaporator coil.  
 Below 80°F (27°C) db, subtract (Correction Factor x CFM) from SHC.  
 Above 80°F (27°C) db, add (Correction Factor x CFM) to SHC.
- Direct interpolation is permissible. Do not extrapolate.
- Fan motor heat has not been deducted.
- All data points are based on 10°F (-12°C) superheat leaving coil and use of thermostatic expansion valve (TXV) device.
- The ENH4X coils can be used in any properly designed system using R-410A refrigerant.
- Before using maximum cfm shown in table, check coil static pressure drop to ensure system blower can provide necessary static pressure needed for coil and duct systems.
- Bypass Factor = 0 indicates no psychometric solution. Use bypass factor of next lower EWB for approximation.

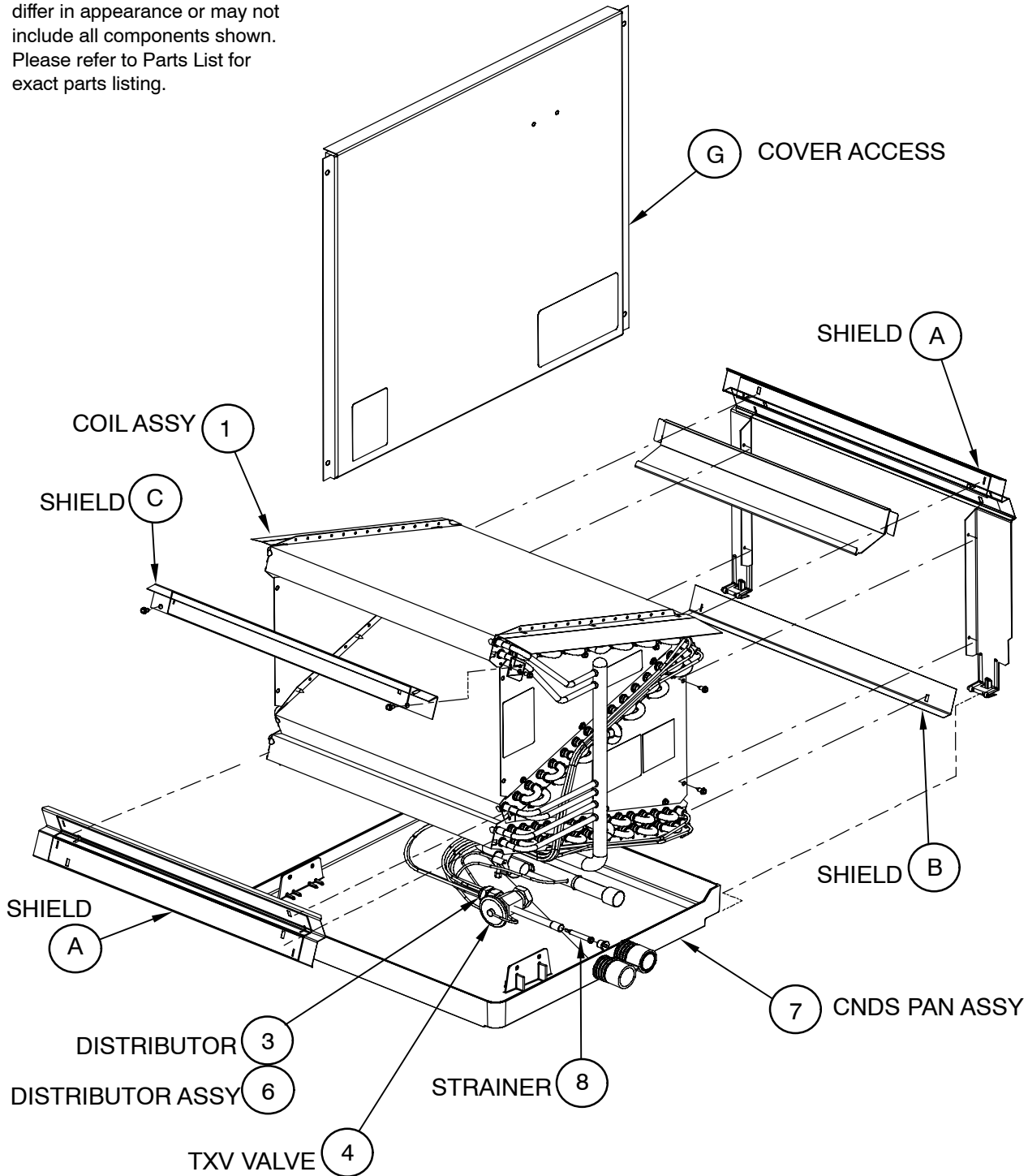
BYPASS FACTOR	ENTERING AIR DRY BULB TEMPERATURE °F (°C)					
	79 (26)	78 (26)	77 (25)	76 (24)	75 (24)	Under 75 (24)
	81 (27)	82 (28)	83 (28)	84 (29)	84 (29)	Above 85 (29)
	<b>Correction Factor</b>					
0.10	0.98	1.96	2.94	3.92	4.91	Use formula shown below
0.20	0.87	1.74	2.62	3.49	4.36	
0.30	0.76	1.53	2.29	3.05	3.82	

Interpolation is permissible.

$$\text{Correction Factor} = 1.09 \times (1 - \text{BF}) \times (\text{db} - 80)$$

COIL STATIC PRESSURE DROP (in. w.c.)																			
UNIT SIZE	Standard CFM																		
	400	500	600	700	800	900	1000	1100	1200	1300	1400	1500	1600	1700	1800	1900	2000	2100	2200
24	Dry																		
	0.048	0.068	0.090	0.112	0.140	0.170	0.203												
30	Wet																		
	0.064	0.091	0.122	0.150	0.188	0.224	0.263												
31	Dry																		
	0.042	0.060	0.080	0.102	0.128	0.157	0.188	0.222	0.259										
36	Wet																		
	0.055	0.076	0.104	0.127	0.158	0.190	0.225	0.266	0.309										
42	Dry																		
	0.031	0.046	0.063	0.083	0.105	0.130	0.156	0.193	0.230										
43	Wet																		
	0.039	0.056	0.075	0.097	0.121	0.149	0.179	0.212	0.249										
48	Dry																		
	0.043	0.061	0.082	0.103	0.128	0.157	0.189	0.221	0.259	0.299	0.341								
60	Wet																		
	0.056	0.079	0.107	0.133	0.166	0.200	0.236	0.276	0.315	0.361	0.413								
61	Dry																		
	0.030	0.041	0.054	0.066	0.082	0.099	0.118	0.137	0.158	0.180	0.205	0.231	0.259						
61	Wet																		
	0.043	0.059	0.078	0.101	0.126	0.153	0.181	0.207	0.234	0.260	0.288	0.319	0.354						
61	Dry																		
		0.040	0.052	0.066	0.081	0.098	0.177	0.137	0.156	0.183	0.205	0.233							
61	Wet																		
		0.049	0.062	0.079	0.096	0.114	0.138	0.162	0.189	0.216	0.239	0.27							
61	Dry																		
			0.047	0.060	0.075	0.092	0.110	0.130	0.152	0.176	0.204	0.230	0.256	0.284	0.318				
61	Wet																		
			0.053	0.067	0.085	0.104	0.125	0.147	0.172	0.200	0.228	0.259	0.292	0.327	0.365				
61	Dry																		
					0.062	0.073	0.084	0.097	0.111	0.126	0.138	0.154	0.172	0.190	0.210	0.228	0.251	0.273	0.293
61	Wet																		
					0.082	0.096	0.112	0.129	0.145	0.163	0.171	0.191	0.212	0.235	0.258	0.283	0.310	0.336	0.366
61	Dry																		
											0.196	0.216	0.238	0.259	0.286	0.312	0.336	0.363	0.390
61	Wet																		
											0.208	0.233	0.259	0.281	0.307	0.339	0.368	0.400	0.431

NOTE: This illustration is for reference only. Your unit may differ in appearance or may not include all components shown. Please refer to Parts List for exact parts listing.



ENH4X

ENH4X PARTS LIST											
KEY NO.	DESCRIPTION	PART NO.	ENH4X24C17A1	ENH4X30C17A1	ENH4X31C17A1	ENH4X36C17A1	ENH4X42C21A1	ENH4X43C21A1	ENH4X48C21A1	ENH4X60C24A1	ENH4X61C24A1
01	COIL ASY EVAP	1183253	1	-	-	-	-	-	-	-	-
01	COIL ASY EVAP	1183254	-	1	-	-	-	-	-	-	-
01	COIL ASY EVAP	1183255	-	-	-	1	-	-	-	-	-
01	COIL ASY EVAP	1183256	-	-	-	-	1	-	-	-	-
01	COIL ASY EVAP	1183257	-	-	-	-	-	-	1	-	-
01	COIL ASY EVAP	1183258	-	-	-	-	-	-	-	1	-
01	COIL ASY EVAP	1183259	-	-	-	-	-	-	-	-	1
01	COIL ASY EVAP	1183260	-	-	-	-	-	1	-	-	-
01	COIL ASY EVAP	1183261	-	-	1	-	-	-	-	-	-
03	DISTRIBUTOR	1183249	1	-	-	-	-	-	-	-	-
03	DISTRIBUTOR	1183250	-	1	1	1	1	1	1	-	-
03	DISTRIBUTOR	1183251	-	-	-	-	-	-	-	1	1
04	VALVE TXV 3.0 TON R-410A	1183193	-	1	1	-	-	-	-	-	-
04	VALVE TXV 3.0 TON R-410A	1183194	1	-	-	-	-	-	-	-	-
04	VALVE TXV 4.0 TON R-410A	1183195	-	-	-	1	1	1	-	-	-
04	VALVE TXV 6.0 TON R-410A	1183196	-	-	-	-	-	-	1	1	1
06	DISTRIBUTOR ASY	1183200	-	-	-	-	1	1	-	-	-
06	DISTRIBUTOR ASY	1183201	1	-	-	-	-	-	-	-	-
06	DISTRIBUTOR ASY	1183202	-	-	-	-	-	-	-	1	-
06	DISTR ASSY	1183262	-	-	-	-	-	-	1	-	-
06	DISTRIBUTOR ASY	1183203	-	1	1	1	-	-	-	-	-
06	DISTR ASSY	1183263	-	-	-	-	-	-	-	-	1
07	CNDS PAN ASSY	1183264	1	-	-	-	-	-	-	-	-
07	CNDS PAN ASSY	1183265	-	1	-	1	1	-	-	-	-
07	CNDS PAN ASSY	1183266	-	-	1	-	-	1	1	1	1
08	STRAINER	1171740	1	1	1	1	1	1	1	1	1
A	SHIELD	1176840	2	2	2	2	2	2	2	2	-
A	SHIELD	1183267	-	-	-	-	-	-	-	-	2
B	SHIELD	1176841	1	1	1	1	1	1	1	1	-
B	SHIELD	1183268	-	-	-	-	-	-	-	-	1
C	SHIELD	1176827	1	1	1	1	1	1	1	1	-
C	SHIELD	1183269	-	-	-	-	-	-	-	-	1
G	COVER ASSY	1183270	1	-	-	-	-	-	-	-	-
G	COVER ASSY	1183271	-	1	-	1	-	-	-	-	-
G	COVER ASSY	1183272	-	-	-	-	1	-	-	-	-
G	COVER ASSY	1183273	-	-	-	-	-	-	1	-	-
G	COVER ASSY	1183274	-	-	-	-	-	-	-	1	1
G	COVER ASSY	1183275	-	-	-	-	-	1	-	-	-
G	COVER ASSY	1183276	-	-	1	-	-	-	-	-	-
Parts Not Shown											
)	WASHER TEFLON	1174012	1	1	1	1	1	1	1	1	1
)	ADAPTER DRN MALE LA	1085010	1	1	1	1	1	1	1	1	1
)	GROMMET LIQ LINE 3/8"	1173157	1	1	1	1	1	1	1	1	1
)	GROMMET SUCT LINE 5/8"	1173158	1	-	-	-	-	-	-	-	-
)	GROMMET SUCT LINE 3/4"	1173159	-	1	1	1	1	-	-	-	-
)	GROMMET SUCT LINE 7/8"	1173160	-	-	-	-	-	1	1	1	1

ENH4X PARTS LIST

KEY NO.	DESCRIPTION	PART NO.	ENH4X24T17A1	ENH4X30T17A1	ENH4X31T17A1	ENH4X36T17A1	ENH4X42T21A1	ENH4X43T21A1	ENH4X48T21A1	ENH4X60T24A1	ENH4X61T24A1
01	COIL ASY EVAP TINNED	1183278	1	-	-	-	-	-	-	-	-
01	COIL ASY EVAP TINNED	1183279	-	1	-	-	-	-	-	-	-
01	COIL ASY EVAP TINNED	1183280	-	-	-	1	-	-	-	-	-
01	COIL ASY EVAP TINNED	1183281	-	-	-	-	1	-	-	-	-
01	COIL ASY EVAP TINNED	1183282	-	-	-	-	-	-	1	-	-
01	COIL ASY EVAP TINNED	1183283	-	-	-	-	-	-	-	1	-
01	COIL ASY EVAP TINNED	1183284	-	-	-	-	-	-	-	-	1
01	COIL ASY EVAP TINNED	1183285	-	-	-	-	-	1	-	-	-
01	COIL ASY EVAP TINNED	1183286	-	-	1	-	-	-	-	-	-
03	DISTRIBUTOR	1183249	1	-	-	-	-	-	-	-	-
03	DISTRIBUTOR	1183250	-	1	1	1	1	1	1	-	-
03	DISTRIBUTOR	1183251	-	-	-	-	-	-	-	1	1
04	VALVE TXV 3.0 TON R-410A	1183193	-	1	1	-	-	-	-	-	-
04	VALVE TXV 3.0 TON R-410A	1183194	1	-	-	-	-	-	-	-	-
04	VALVE TXV 4.0 TON R-410A	1183195	-	-	-	1	1	1	-	-	-
04	VALVE TXV 6.0 TON R-410A	1183196	-	-	-	-	-	-	1	1	1
06	DISTRIBUTOR ASY	1183200	-	-	-	-	1	1	-	-	-
06	DISTRIBUTOR ASY	1183201	1	-	-	-	-	-	-	-	-
06	DISTRIBUTOR ASY	1183202	-	-	-	-	-	-	-	1	-
06	DISTR ASSY	1183262	-	-	-	-	-	-	1	-	-
06	DISTRIBUTOR ASY	1183203	-	1	1	1	-	-	-	-	-
06	DISTR ASSY	1183263	-	-	-	-	-	-	-	-	1
07	CNDS PAN ASSY	1183264	1	-	-	-	-	-	-	-	-
07	CNDS PAN ASSY	1183265	-	1	-	1	1	-	-	-	-
07	CNDS PAN ASSY	1183266	-	-	1	-	-	1	1	1	1
08	STRAINER	1171740	1	1	1	1	1	1	1	1	1
A	SHIELD	1176840	2	2	2	2	2	2	2	2	-
A	SHIELD	1183267	-	-	-	-	-	-	-	-	2
B	SHIELD	1176841	1	1	1	1	1	1	1	1	-
B	SHIELD	1183268	-	-	-	-	-	-	-	-	1
C	SHIELD	1176827	1	1	1	1	1	1	1	1	-
C	SHIELD	1183269	-	-	-	-	-	-	-	-	1
G	COVER ASSY	1183270	1	-	-	-	-	-	-	-	-
G	COVER ASSY	1183271	-	1	-	1	-	-	-	-	-
G	COVER ASSY	1183272	-	-	-	-	1	-	-	-	-
G	COVER ASSY	1183273	-	-	-	-	-	-	1	-	-
G	COVER ASSY	1183274	-	-	-	-	-	-	-	1	1
G	COVER ASSY	1183275	-	-	-	-	-	1	-	-	-
G	COVER ASSY	1183276	-	-	1	-	-	-	-	-	-
Parts Not Shown											
)	WASHER TEFLON	1174012	1	1	1	1	1	1	1	1	1
)	ADAPTER DRN MALE LA	1085010	1	1	1	1	1	1	1	1	1
)	GROMMET LIQ LINE 3/8"	1173157	1	1	1	1	1	1	1	1	1
)	GROMMET SUCT LINE 5/8"	1173158	1	-	-	-	-	-	-	-	-
)	GROMMET SUCT LINE 3/4"	1173159	-	1	1	1	1	-	-	-	-
)	GROMMET SUCT LINE 7/8"	1173160	-	-	-	-	-	1	1	1	1