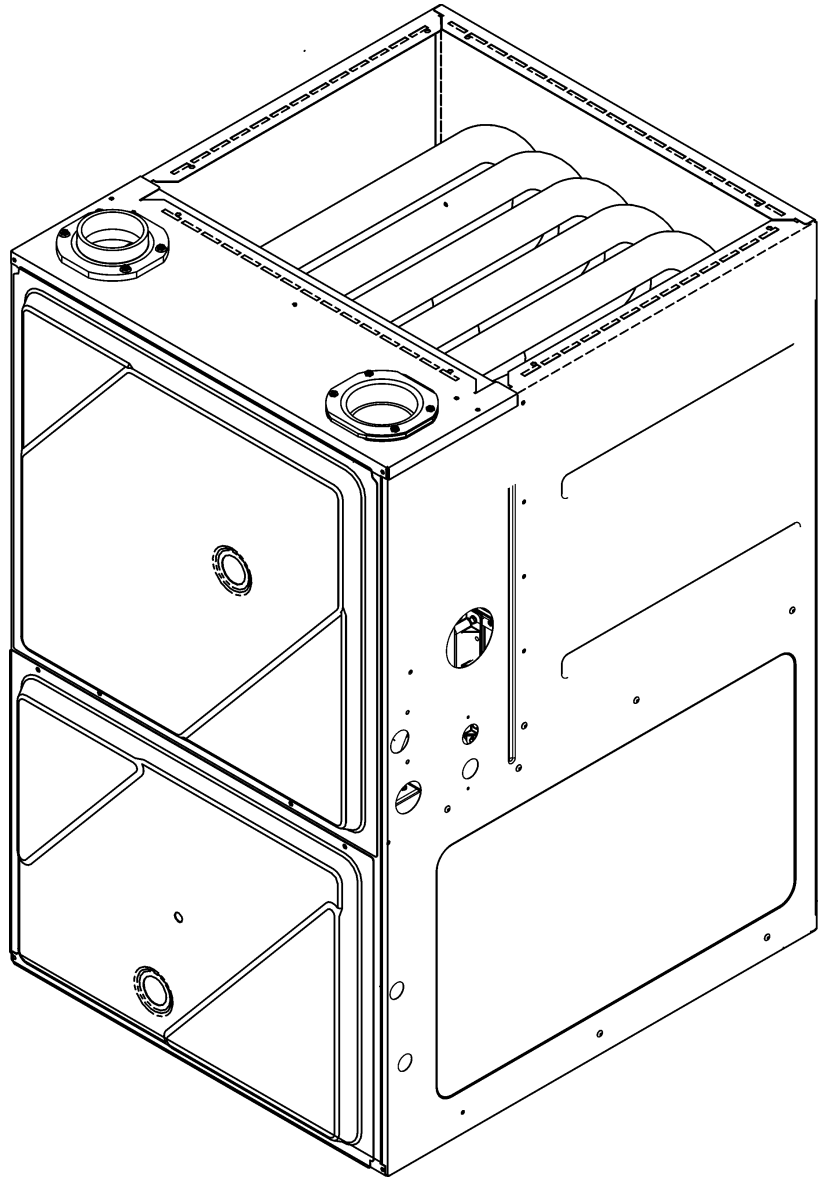


GCEC 96% EEM Counter Flow Furnace

GCEC960403BNAA
GCEC960603BNAA
GCEC960803BNAA
GCEC961005CNAA



This manual is to be used by qualified technicians only.

© 2017 Goodman Manufacturing Company, L.P. ♦ 5151 San Felipe St., Suite 500 ♦ Houston, TX 77056

Important Information

Index

Functional Parts List	3
Illustration and Parts	4 - 11

Views shown are for parts illustrations only, not servicing procedures

Text Codes:

AR - As Required

NA - Not Available

NS - Not Shown

00000000 - See Note

QTY - Quantity Example (QTY 3) (If Quantity not shown, Quantity = 1)

M - Model Example (M1) (If M Code not shown, then part is used on all Models)

Expanded Model Nomenclature:

Example M1 - Model#1 M2 - Model#2 M3 - Model#3

Goodman Manufacturing Company, L.P. is not responsible for personal injury or property damage resulting from improper service. Review all service information before beginning repairs.

Warranty service must be performed by an authorized technician, using authorized factory parts. If service is required after the warranty expires, Goodman Manufacturing Company, L.P. also recommends contacting an authorized technician and using authorized factory parts.

Goodman Manufacturing Company, L.P. reserves the right to discontinue, or change at any time, specifications or designs without notice or without incurring obligations.

For assistance within the U.S.A. contact:
Homeowner Support
Goodman Manufacturing Company, L.P.
19001 Kermier Road
Waller, Texas 77484
877-254-4729-Telephone
713-863-2382-Facsimile

For assistance outside the U.S.A. contact:
International Division
Goodman Manufacturing Company, L.P.
19001 Kermier Road
Waller, Texas 77484
713-861-2500-Telephone
713-863-2382-Facsimile

Functional Parts

Part

No: Description:

20162904	*PRIMARY LIMIT-TEMPERATURE CONTROL (M3) *Refer to service bulletin SF-054
0163F00017	BECKETT BURNER (QTY 2)
764740	BLOWER BLOCK-OFF 10 X 8 (M1)
0271F00181	BLOWER HSG ASSY (M1)
0271F00161	BLOWER SHELL & WHEEL ASSY (M4)
0271F00159	BLOWER SHELL & WHEEL ASSY (M2, M3)
0130F00010	FLAME SENSOR
0151M00027	GAS VALVE
0257F00419	HEAT EXCHANGER ASSY (M1)
0257F00420	HEAT EXCHANGER ASSY (M2)
0257F00421	HEAT EXCHANGER ASSY (M3)
0257F00429	HEAT EXCHANGER ASSY (M4)
0130F00008	IGNITOR-SINI 17 SEC
10123538	MANUAL RESET LIMIT-TAN (M2)
10123533	MANUAL RESET LIMIT-YELLOW (M1, M3)
0131F00035	MOTOR, BLOWER (M3)
0131F00046	MOTOR, BLOWER (M1)
0131F00047	MOTOR, BLOWER (M2)
0131F00048	MOTOR, BLOWER (M4)
0171M00002	MOTOR-ID, BLOWER
PCBBF139	PCB IGNITION HSI INTEG
0130F00434	PRESSURE SWITCH (M4)
0130F00435	PRESSURE SWITCH (M1, M2)
0130F00436	PRESSURE SWITCH (M3)
0130F00429	PRESSURE SWITCH
0130F00038	PRIMARY LIMIT - LT BLUE 120° (AUX) (QTY 2)
20162906	PRIMARY LIMIT - WHITE (M4)
20162906	PRIMARY LIMIT-WHITE (M1, M2, M4)
0130M00243	SWITCH, INTERLOCK
0130M00140	TRANSFORMER 120V TO 24V, 40VA
0150M00043	WHEEL, BLOWER (10 X 8) (M1)

SPECIAL PARTS

0161F00000P GOODMAN NAMEPLATE

Expanded Model Nomenclature

M1 - GCEC960403BNAA
M2 - GCEC960603BNAA
M3 - GCEC960803BNAA
M4 - GCEC961005CNAA

Cabinet Assembly

IMAGE 1

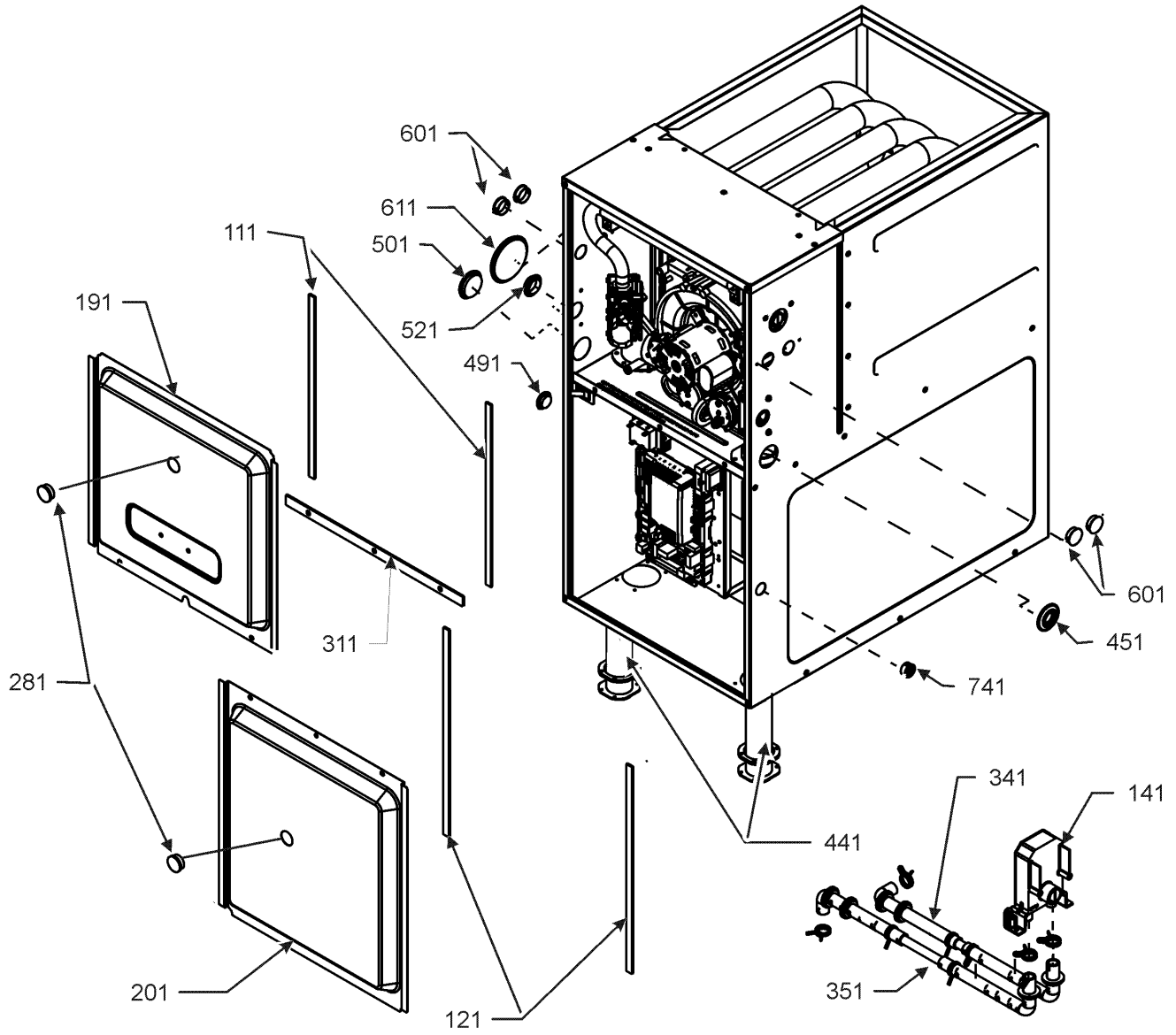
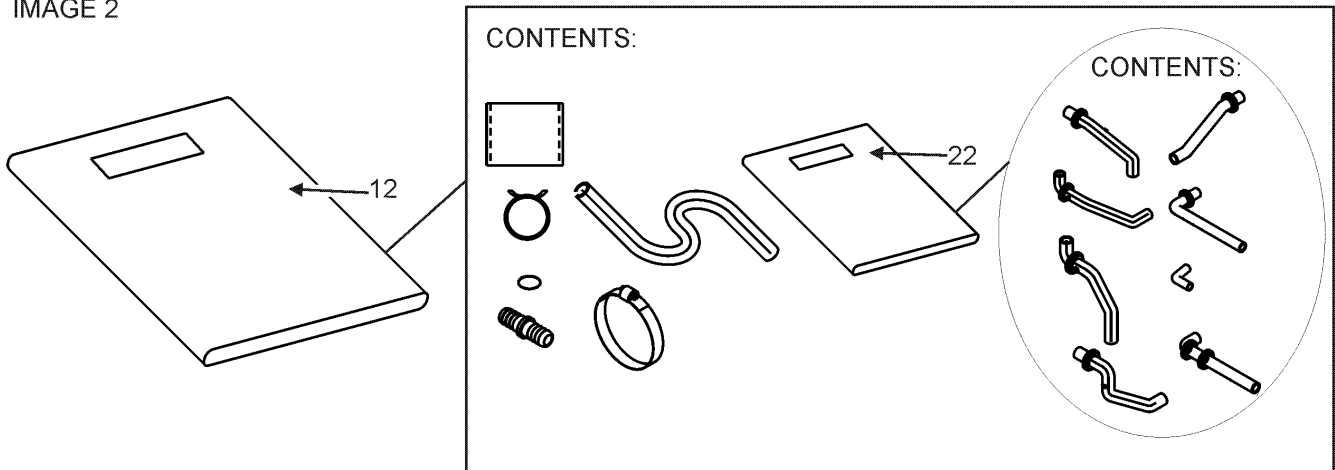


IMAGE 2



Cabinet Assembly

Ref. Part No: No:	Description:	Ref. Part No: No:	Description:
-------------------	--------------	-------------------	--------------

Image 1:

111	0154F00024	GASKET (QTY 2)
121	0154F00025	GASKET (QTY 2)
141	0161F00046	DRAIN TRAP
191	0121F00291DG	DOOR, ACCESS 17.5 PNT (M1, M2, M3)
191	0121F00292DG	DOOR, ACCESS 21 PNT (M4)
201	0121F00288DG	DOOR, BLOWER 17.5 PNT (M1, M2, M3)
201	0121F00289DG	DOOR, BLOWER 21 PNT (M4)
281	B1392139	VIEW PORT BUSHING-BLOWER DOOR (QTY 2)
311	0154F00020	DECK GASKET (M1, M2, M3)
311	0154F00021	DECK GASKET (M4)
341	0270F03125	CF DRAIN TUBE ASSY (M1, M2, M3)
341	0270F03515	CF DRAIN TUBE ASSY (M4)
351	0270F03126	CF DRAIN TUBE ASSY (M4)
351	0270F03514	CF DRAIN TUBE ASSY (M1, M2, M3)
441	0161F00064	PIPE, STRAIGHT CF (QTY 2)
451	M0501301	PIPE GROMMET
491	M0570808	BUTTON PLUG
501	M0570806	BUTTON PLUG
521	0161M00027	HOLE PLUG
601	B1392021	PLASTIC PLUG, 1" (2713-BLK) (QTY 4)
611	0163M00049	HOSE CLAMP (QTY 2)
741	B1392104	UNIVERSAL BUSHING UB 875
NS	M0310345	BUTTON PLUG (QTY 2)
NS	M0570807	BUTTON PLUG
NS	M0209730	DECORATIVE SCREW (QTY 3)
NS	0161F00000P	GOODMAN NAMEPLATE

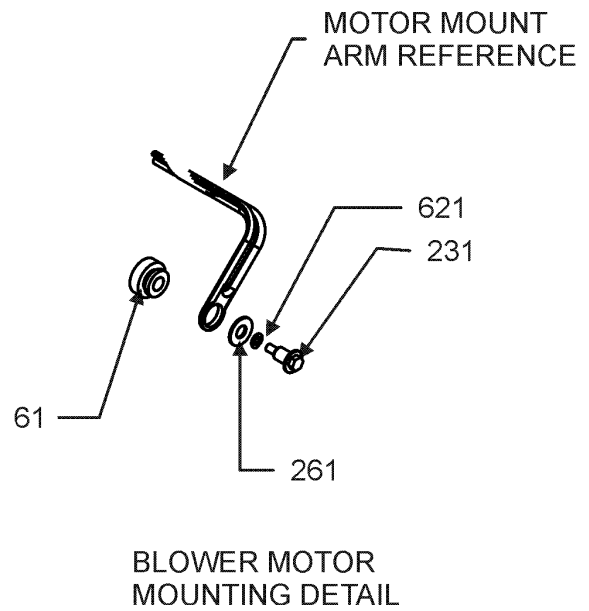
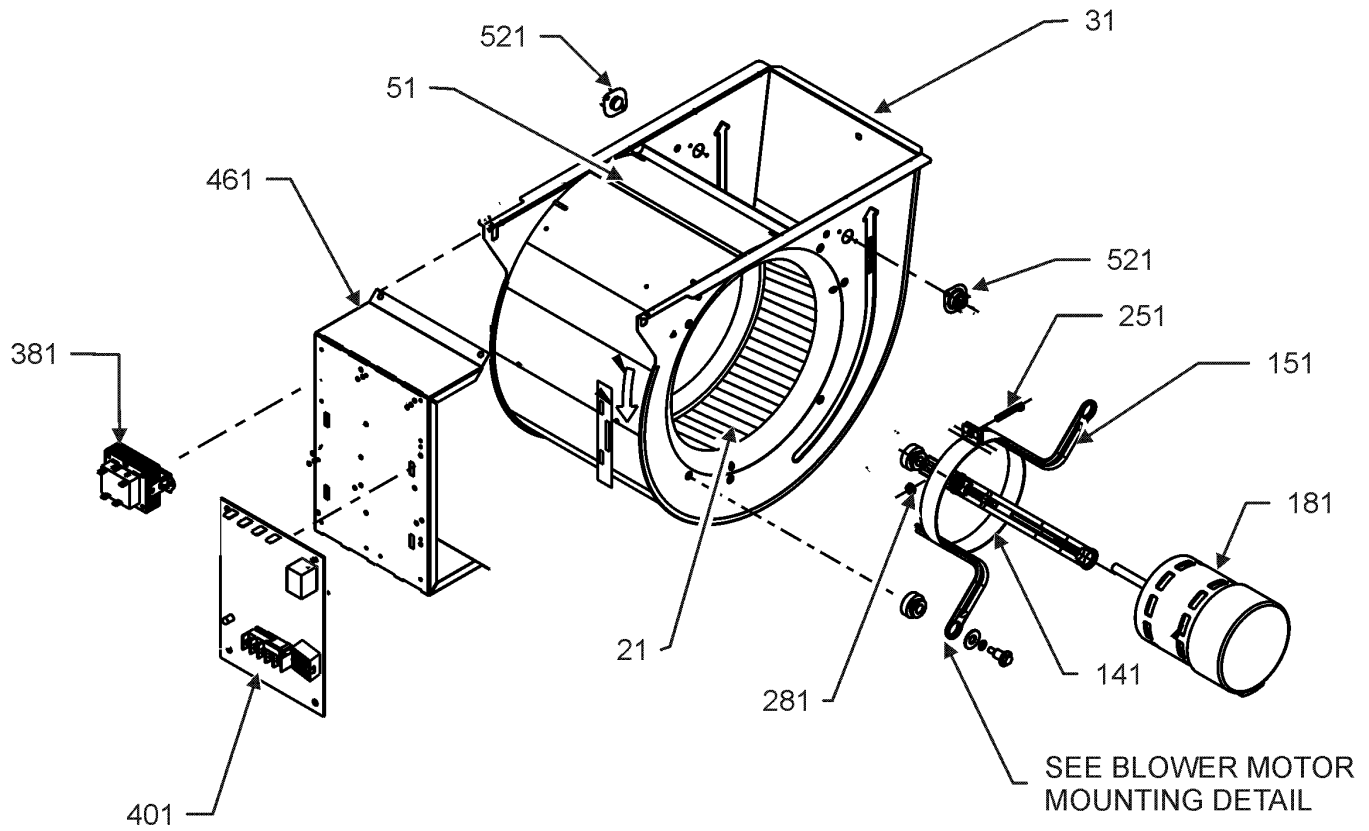
Image 2:

12	0270F03141	DRAIN PART BAG ASSY CF
22	0270F03139	BAG ASSY CF

Expanded Model Nomenclature

- M1 - GCEC960403BNAA
- M2 - GCEC960603BNAA
- M3 - GCEC960803BNAA
- M4 - GCEC961005CNAA

Blower Assembly



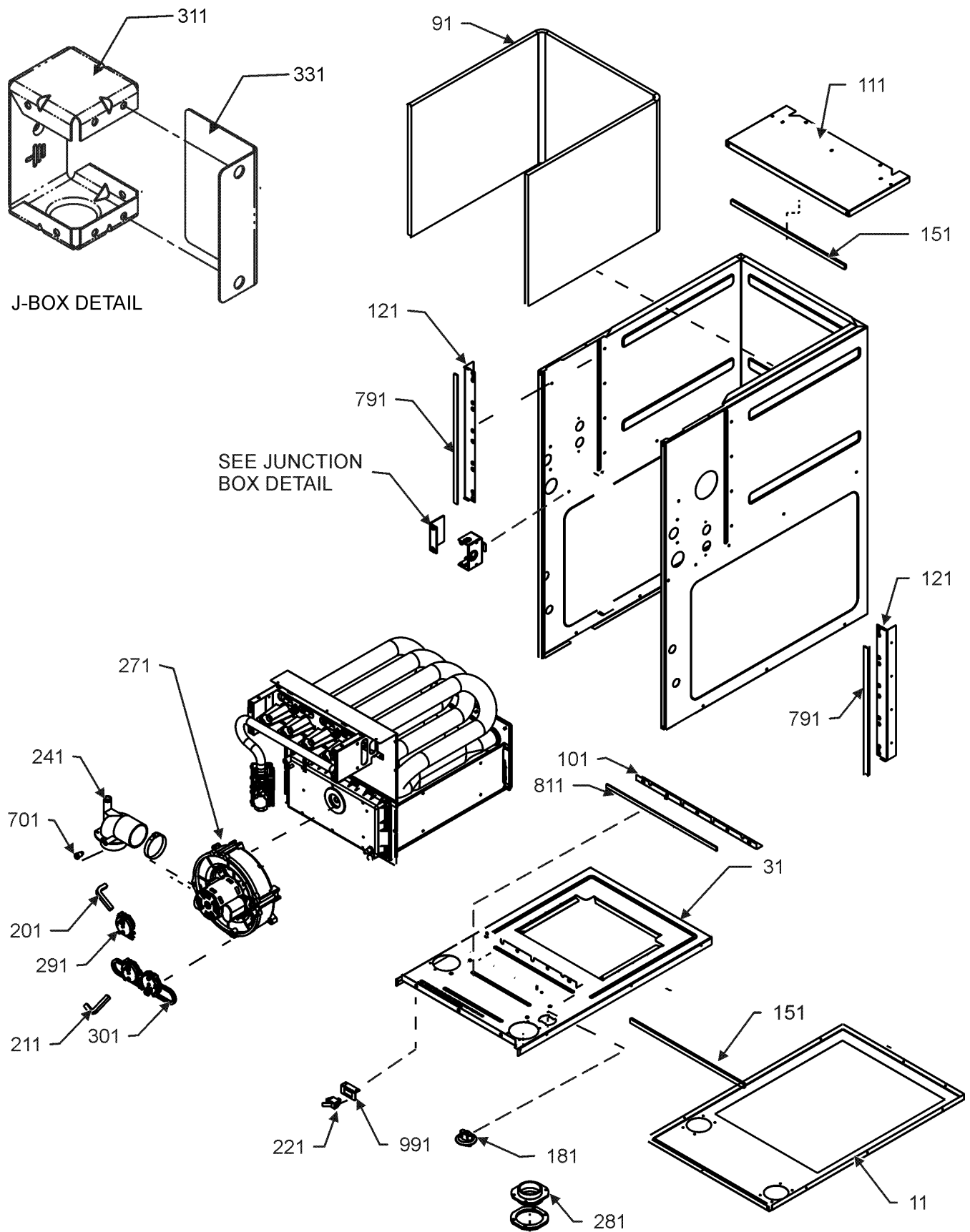
Blower Assembly

Ref. Part No: No:	Description:	Ref. Part No: No:	Description:
Image 1:			
21	0150M00043		WHEEL, BLOWER (10 X 8) (M1)
31	0271F00181		BLOWER HSG ASSY (M1)
31	0271F00159		BLOWER SHELL & WHEEL ASSY (M2, M3)
31	0271F00161		BLOWER SHELL & WHEEL ASSY (M4)
51	764740		BLOWER BLOCK-OFF 10 X 8 (M1)
61	A4002702		BLOWER MOTOR GROMMET (M4)
141	0121M00038		MOTOR MOUNT BAND (M1, M2, M3)
141	10441601		MOTOR MOUNT BAND (M4)
151	10441501		MOTOR MOUNT ARM (M4)
151	B1376857		MOTOR MOUNT ARM (M1, M2, M3)
181	0131F00035		MOTOR, BLOWER (M3)
181	0131F00046		MOTOR, BLOWER (M1)
181	0131F00047		MOTOR, BLOWER (M2)
181	0131F00048		MOTOR, BLOWER (M4)
231	0163F00028		SCREW (M4)
231	M0250565		TC SCREW 1.25" (M1, M2, M3)
251	M0267144		MACHINE SCREW (M4)
251	B1393323		MACHINE SCREW HWH 1/4-20 X 1-1/2 BZ (M1, M2, M3)
261	B1392918		FLAT WASHER (M1, M2, M3)
261	M0274008		FLAT WASHER (M4)
281	M0282015		KEPS NUT (M4)
281	B1393800		LOCKNUT, NYLON, INSERT 1/4, 20 (M1, M2, M3)
381	0130M00140		TRANSFORMER 120V TO 24V, 40VA
401	PCBBF139		PCB IGNITION HSI INTEG
461	0121F00464		CONTROL MOUNTING PLATE
521	0130F00038		PRIMARY LIMIT - LT BLUE 120° (AUX) (QTY 2)
621	B1392820		SLIT LOCK WASHER (M4)
NS	B1392021		1" PLASTIC PLUG (QTY 4)
NS	0259F00024		HARNESS - BLOWER
NS	0159F00076		WIRE HARNESS
NS	0159F00077		WIRE HARNESS

Expanded Model Nomenclature

M1 - GCEC960403BNAA
M2 - GCEC960603BNAA
M3 - GCEC960803BNAA
M4 - GCEC961005CNAA

Chassis Assembly



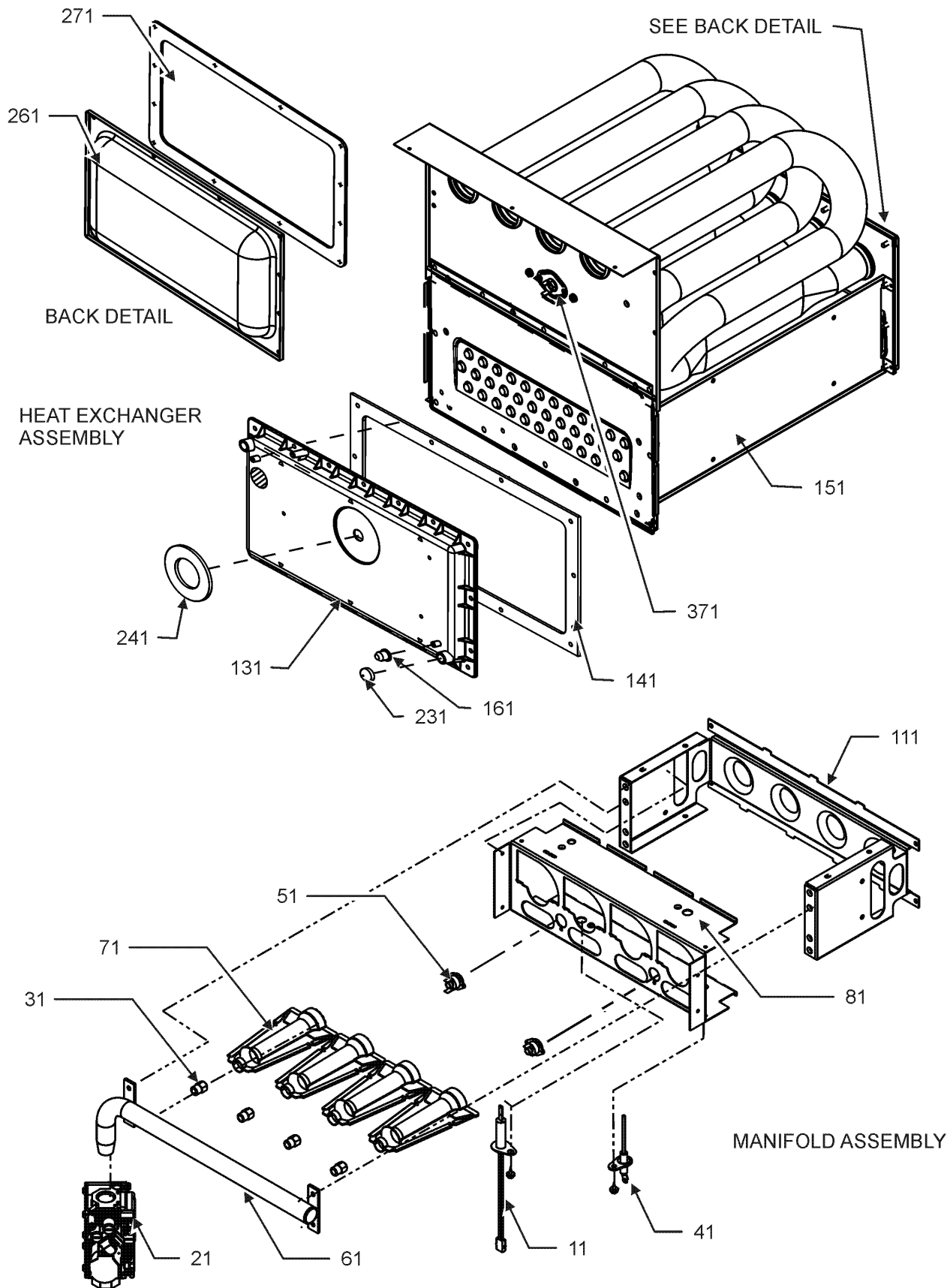
Chassis Assembly

Ref. Part No:	No:	Description:	Ref. Part No:	No:	Description:
Image 1:					
11	0121F00548DG	PAINTED BASEPAN, 17.5 CF (M1, M2, M3)			
11	0121F00549DG	PAINTED BASEPAN, 21 CF (M4)			
31	0121F00536	DECK-BLOWER 17.5" CF (M1, M2, M3)			
31	0121F00537	DECK-BLOWER 21" CF (M4)			
91	0160F00015	INSULATION, HT EXCHANGER 17.5" (M1, M2, M3)			
91	0160F00016	INSULATION, HT EXCHANGER 21" (M4)			
101	0121F00314	ANGLE, DECK (M1, M2, M3)			
101	0121F00315	ANGLE, DECK (M4)			
111	0121F00426DG	TOP, PAINTED FURNACE 17.5" CF (M1, M2, M3)			
111	0121F00434DG	TOP, PAINTED FURNACE 21" CF (M4)			
121	0121F00313	SIDE ANGLE (QTY 2)			
151	20179309	GASKET-FA (M1, M2, M3)			
151	20179310	GASKET-FA (M4)			
181	0159F00077	HARNESS, WIRING			
201	0164M00019	HOSE-PRESSURE SW (M1, M2, M3)			
201	0164M00008	PRESSURE SWITCH HOSE (M4)			
211	0164M00019	HOSE-PRESSURE SW 6"			
221	0130M00243	SWITCH, INTERLOCK			
241	0164F00003	ELBOW-FLUE, 17.5" CFLOW (M1, M2, M3)			
241	0164F00004	ELBOW-FLUE, 21" CFLOW (M4)			
271	0171M00002	MOTOR-ID, BLOWER			
281	0161F00037	COUPLING			
291	0130F00429	PRESSURE SWITCH			
301	0130F00434	PRESSURE SWITCH (M4)			
301	0130F00435	PRESSURE SWITCH (M1, M2)			
301	0130F00436	PRESSURE SWITCH (M3)			
311	0161F00042	JUNCTION BOX			
331	0161F00043	JUNCTION BOX LID			
701	M0326804	TUBE PLUG			
791	0154F00015	GASKET (QTY 2)			
811	0154F00014	GASKET (M1, M2, M3)			
811	0154F00016	GASKET (M4)			
991	0121F00389	BRACKET, DOOR SWITCH			

Expanded Model Nomenclature

M1 - GCEC960403BNAA
M2 - GCEC960603BNAA
M3 - GCEC960803BNAA
M4 - GCEC961005CNAA

Heat Exchanger and Manifold Assembly



Heat Exchanger and Manifold Assembly

Ref. Part No: No:	Description:	Ref. Part No: No:	Description:
Image 1:			
11	0130F00008		IGNITOR-SINI 17 SEC
21	0151M00027		GAS VALVE
31	10716005		ORIFICE (QTY 2)
41	0130F00010		FLAME SENSOR
51	10123538		MANUAL RESET LIMIT-TAN (M2)
51	10123533		MANUAL RESET LIMIT-YELLOW (M1, M3)
51	20162906		PRIMARY LIMIT - WHITE (M4)
61	0163F00007		MANIFOLD (M1)
61	0163F00008		MANIFOLD (M2)
61	0163F00010		MANIFOLD (M4)
61	0163F00014		MANIFOLD (M3)
71	0163F00017		BECKETT BURNER (QTY 2)
81	0121F00456		BRACKET-BURNER 2 (M1)
81	0121F00455		BRACKET-BURNER 3 (M2)
81	0121F00454		BRACKET-BURNER 4 (M3)
81	0121F00453		BRACKET-BURNER 5 (M4)
111	0121F00469		ORIFICE BRACKET-BURNER 2 (M1)
111	0121F00468		ORIFICE BRACKET-BURNER 3 (M2)
111	0121F00467		ORIFICE BRACKET-BURNER 4 (M3)
111	0121F00466		ORIFICE BRACKET-BURNER 5 (M4)
131	0161F00072		COVER FRONT (M4)
131	0161F00053		COVER, FRONT (M1)
131	0161F00078		COVER, FRONT (M2)
131	0161F00079		COVER, FRONT (M3)
141	0154F00026		GASKET FRONT COVER (M1, M2, M3)
141	0154F00030		GASKET FRONT COVER (M4)
151	0257F00419		HEAT EXCHANGER ASSY (M1)
151	0257F00420		HEAT EXCHANGER ASSY (M2)
151	0257F00421		HEAT EXCHANGER ASSY (M3)
151	0257F00429		HEAT EXCHANGER ASSY (M4)
161	M0326804		TUBE PLUG
231	A1781105		CAP-VINYL .500
241	0154F00043		GASKET ID BLOWER
261	0121F00317		REAR COVER (M1, M2, M3)
261	0121F00318		REAR COVER (M4)
271	0154F00037		REAR COVER GASKET (M1, M2, M3)
271	0154F00038		REAR COVER GASKET (M4)
371	20162904		*PRIMARY LIMIT-TEMPERATURE CONTROL (M3) *Refer to service bulletin SF-054
371	20162906		PRIMARY LIMIT-WHITE (M1, M2, M4)
NS	0121F00583		INSULATION, RETAINER (M1, M2, M3)
NS	0121F00584		INSULATION, RETAINER (M4)
NS	0121F00439		PRIMARY LIMIT-HEAT SHIELD
NS	0121F00355		SHIELD, COIL (QTY 2)

Expanded Model Nomenclature

M1 - GCEC960403BNAA
M2 - GCEC960603BNAA
M3 - GCEC960803BNAA
M4 - GCEC961005CNAA