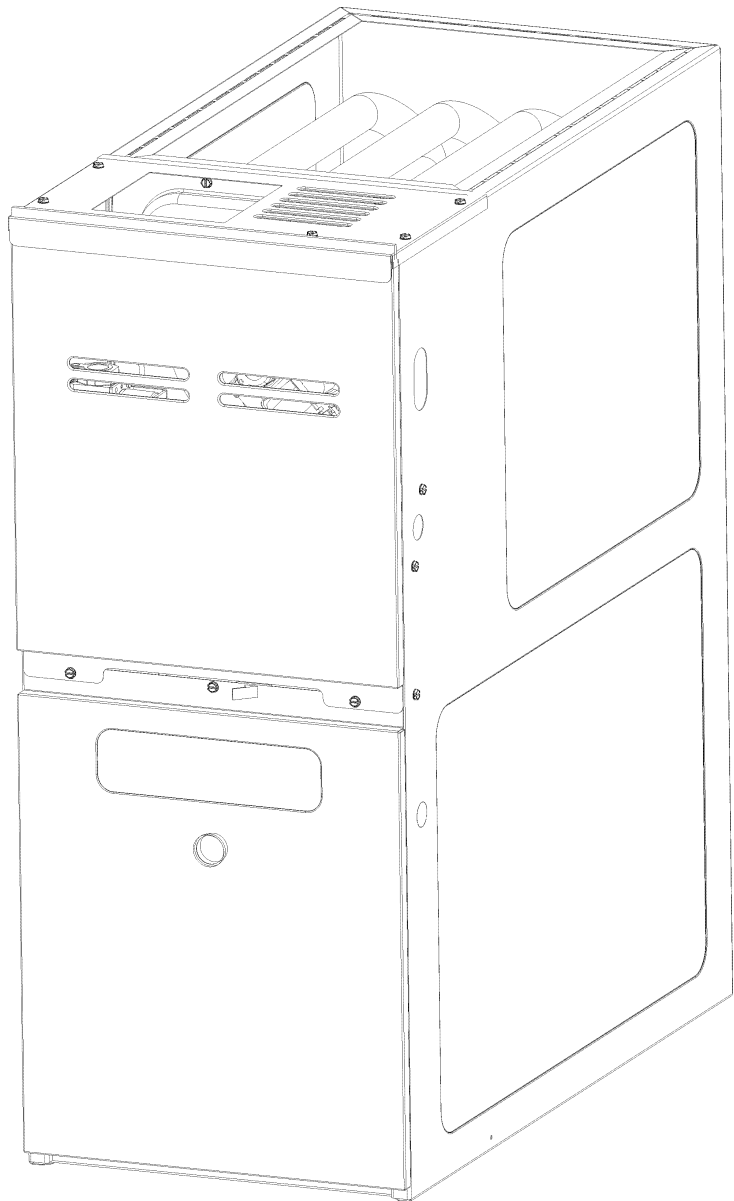


GHS8* Multi-Position Furnace

GHS80403ANAA
GHS80403ANBA
GHS80403ANBB
GHS80403AXAA
GHS80403AXBA
GHS80403AXBB
GHS80403AXBC
GHS80604BNAA
GHS80604BNBA
GHS80604BNBB
GHS80604BXAA
GHS80604BXBA
GHS80604BXBB
GHS80604BXBC
GHS80805CNAA
GHS80805CNBA
GHS80805CNBB
GHS80805CXAA
GHS80805CXBA
GHS80805CXBB
GHS80805CXBC



This manual is to be used by qualified technicians only.

This manual replaces RP-662B.

© 2011-2012, 2014-2015 Goodman Manufacturing Company, L.P. ♦ 5151 San Felipe St., Suite 500 ♦ Houston, TX 77056

Important Information

Index

Functional Parts List	3
Illustration and Parts	4 - 9

Views shown are for parts illustrations only, not servicing procedures

Text Codes:

AR - As Required

NA - Not Available

NS - Not Shown

00000000 - See Note

QTY - Quantity Example (QTY 3) (If Quantity not shown, Quantity = 1)

M - Model Example (M1) (If M Code not shown, then part is used on all Models)

Expanded Model Nomenclature:

Example M1 - Model#1 M2 - Model#2 M3 - Model#3

Goodman Manufacturing Company, L.P. is not responsible for personal injury or property damage resulting from improper service. Review all service information before beginning repairs.

Warranty service must be performed by an authorized technician, using authorized factory parts. If service is required after the warranty expires, Goodman Manufacturing Company, L.P. also recommends contacting an authorized technician and using authorized factory parts.

Goodman Manufacturing Company, L.P. reserves the right to discontinue, or change at any time, specifications or designs without notice or without incurring obligations.

For assistance within the U.S.A. contact:
Consumer Affairs Department
Goodman Manufacturing Company, L.P.
7401 Security Way
Houston, Texas 77040
877-254-4729-Telephone
713-863-2382-Facsimile

For assistance outside the U.S.A. contact:
International Division
Goodman Manufacturing Company, L.P.
7401 Security Way
Houston, Texas 77040
713-861-2500-Telephone
713-863-2382-Facsimile

Functional Parts

Part

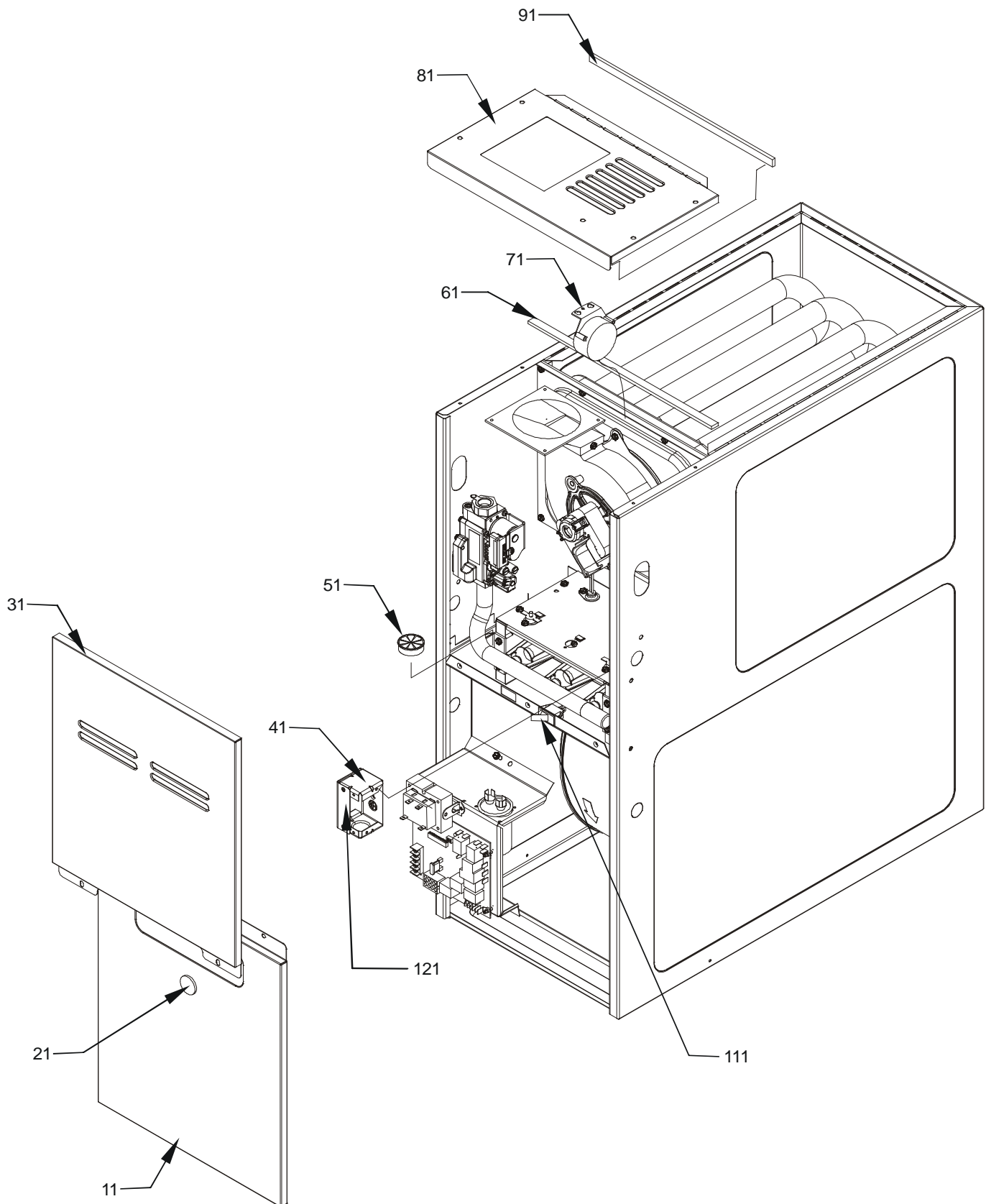
No: **Description:**

Part No:	Description:	Expanded Model Nomenclature
0130F00038	AUX LIMIT - LT BLUE 120°	M1 - GHS80403ANAA
0131F00022	BLOWER MOTOR 1/2 HP, 4 SP, 6 PL (M1, M2, M3, M4, M5, M6, M7)	M2 - GHS80403ANBA
20046618	BLOWER MOTOR 3/4 HP (M8, M9, M10, M11, M12, M13, M14, M15, M16, M17, M18, M19, M20, M21)	M3 - GHS80403ANBB
B1368000	BLOWER WHEEL 11 X 10 (M15, M16, M17, M18, M19, M20, M21)	M4 - GHS80403AXAA
B1368053	BLOWER WHEEL 11 X 6 CW (M1, M2, M3, M4, M5, M6, M7)	M5 - GHS80403AXBA
B1368054	BLOWER WHEEL 11 X 8 (M8, M9, M10, M11, M12, M13, M14)	M6 - GHS80403AXBB
CAP200000370CP	CAP, 20 MFD/370V/ RD (M1, M2, M3, M4, M5, M6, M7)	M7 - GHS80403AXBC
CAP250000370CP	CAP, 25 MFD/370V/ RD (M8, M9, M10, M11, M12, M13, M14, M15, M16, M17, M18, M19, M20, M21)	M8 - GHS80604BNAA
0130F00010	FLAME SENSOR	M9 - GHS80604BNBA
0151M00037	GAS VALVE (M3, M6, M7, M10, M13, M14, M17, M20, M21)	M10 - GHS80604BNBB
0151M00013	GAS VALVE (HW) SINGLE STAGE (M1, M2, M4, M5, M8, M9, M11, M12, M15, M16, M18, M19)	M11 - GHS80604BXAA
0270F00900	HEAT EXCHANGER ASSY (M1, M2, M3, M4, M5, M6, M7)	M12 - GHS80604BXBA
0270F00929	HEAT EXCHANGER ASSY (M8, M9, M11, M12, M14)	M13 - GHS80604BXBB
0270F00930	HEAT EXCHANGER ASSY (M15, M16, M17, M18, M19, M20, M21)	M14 - GHS80604BXBC
0270F00931	HEAT EXCHANGER ASSY (M10, M13)	M15 - GHS80805CNAA
PCBBF123S	IGNITION BOARD, HSI INTEGRATED (M1, M2, M3, M4, M5, M6, M8, M9, M10, M11, M12, M13, M15, M16, M17, M18, M19, M20)	M16 - GHS80805CNBA
20165703	IGNITOR (M1, M2, M3, M4, M5, M6, M8, M9, M10, M11, M12, M13, M15, M16, M17, M18, M19, M20)	M17 - GHS80805CNBB
0130F00008	IGNITOR-SINI 17 SEC (M7, M14, M21)	M18 - GHS80805CXAA
10690402	INTERLOCK SWITCH	M19 - GHS80805CXBA
10123529	MANUAL RESET R.O.S. LIMIT (QTY 2)	M20 - GHS80805CXBB
PCBBF134	PCB, IGNITION, HSI, INTEG (M7, M14, M21)	M21 - GHS80805CXBC
0130F00042	PRESSURE SWITCH (M1, M4, M9, M10, M12, M13, M14)	
B1370179	PRESSURE SWITCH (M16, M17, M19, M20, M21)	
B1370158	PRESSURE SWITCH -0.70" WC (M2, M3, M5, M6, M7, M8, M11, M15, M18)	
20162903	PRIMARY LIMIT - BLUE (M2, M3, M5, M6, M7, M8, M11)	
0130M00063	PRIMARY LIMIT - GOLD 140° (M1, M4, M9, M12, M14, M15, M16, M17, M18, M19, M20, M21)	
0130F00036	PRIMARY LIMIT - PINK 180° (M10, M13)	
0130M00140	TRANSFORMER 120V TO 24V, 40VA	
0131M00002P	VENT MOTOR	

SPECIAL PARTS

0161F00007 GOODMAN NAMEPLATE

Cabinet



Cabinet

**Ref. Part
No: No:**

Description:

**Ref. Part
No: No:**

Description:

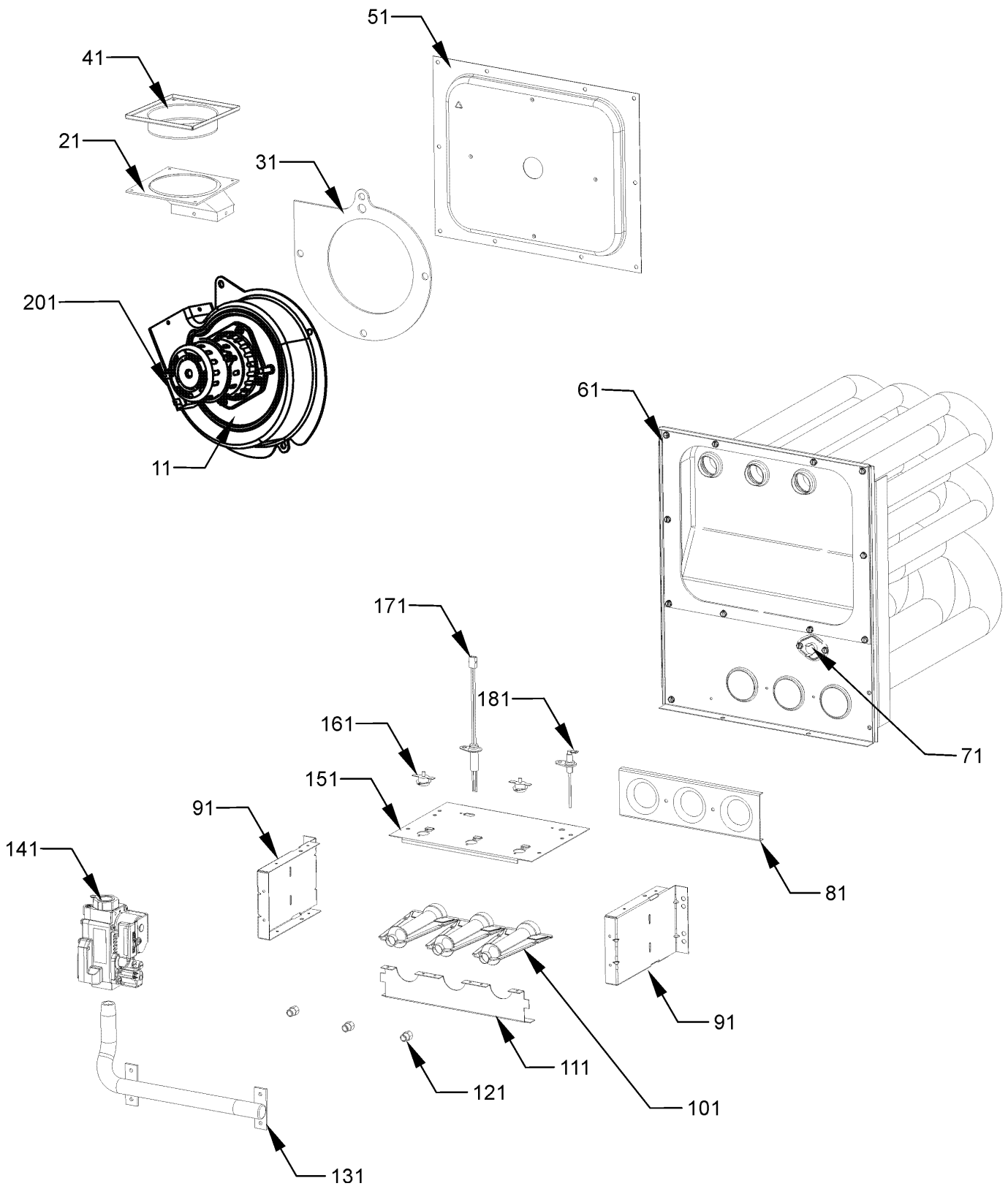
Image 1:

11	0121F00122DG	BLOWER ACCESS DOOR 14" (M1, M2, M3, M4, M5, M6, M7)
11	0121F00123DG	BLOWER ACCESS DOOR 17.5" (M8, M9, M10, M11, M12, M13, M14)
11	0121F00124DG	BLOWER ACCESS DOOR 21" (M15, M16, M17, M18, M19, M20, M21)
21	B1392139	VIEW PORT BUSHING-BLOWER DOOR
31	0121F00118DG	CONTROL ACCESS DOOR 14" (M1, M2, M3, M4, M5, M6, M7)
31	0121F00119DG	CONTROL ACCESS DOOR 17.5" (M8, M9, M10, M11, M12, M13, M14)
31	0121F00120DG	CONTROL ACCESS DOOR 21" (M15, M16, M17, M18, M19, M20, M21)
41	4015502	J-BOX COVER
51	B1392147	UNIVERSAL BUSHING WITH SLICE
61	B13926111	SEAL STRIP, 1/8 X 1/2 X 14 (M1, M2, M3, M4, M5, M6, M7)
61	B13926112	SEAL STRIP, 1/8 X 1/2 X 17.5 (M8, M9, M10, M11, M12, M13, M14)
61	B13926113	SEAL STRIP, 1/8 X 1/2 X 21 (M15, M16, M17, M18, M19, M20, M21)
71	0130F00042	PRESSURE SWITCH (M1, M4, M9, M10, M12, M13, M14)
71	B1370179	PRESSURE SWITCH (M16, M17, M19, M20, M21)
71	B1370158	PRESSURE SWITCH -0.70" WC (M2, M3, M5, M6, M7, M8, M11, M15, M18)
81	0121F00141DG	TOP 14" (M1, M2, M3, M4, M5, M6, M7)
81	0121F00142DG	TOP 17.5" (M8, M9, M10, M11, M12, M13, M14)
81	0121F00143DG	TOP 21" (M15, M16, M17, M18, M19, M20, M21)
111	10690402	INTERLOCK SWITCH
121	4014502	J-BOX
NS	0259F00054	12-PIN WIRE HARNESS ASSY
NS	0161F00007	GOODMAN NAMEPLATE
NS	1819000	SOLID BOTTOM 14" CASE (M1, M2, M3, M4, M5, M6, M7)
NS	1819001	SOLID BOTTOM 17.5" CASE (M8, M9, M10, M11, M12, M13, M14)
NS	1819002	SOLID BOTTOM 21" CASE (M15, M16, M17, M18, M19, M20, M21)

Expanded Model Nomenclature

M1 - GHS80403ANAA
M2 - GHS80403ANBA
M3 - GHS80403ANBB
M4 - GHS80403AXAA
M5 - GHS80403AXBA
M6 - GHS80403AXBB
M7 - GHS80403AXBC
M8 - GHS80604BNAA
M9 - GHS80604BNBA
M10 - GHS80604BNBB
M11 - GHS80604BXAA
M12 - GHS80604BXBA
M13 - GHS80604BXBB
M14 - GHS80604BXBC
M15 - GHS80805CNAA
M16 - GHS80805CNBA
M17 - GHS80805CNBB
M18 - GHS80805CXAA
M19 - GHS80805CXBA
M20 - GHS80805CXBB
M21 - GHS80805CXBC

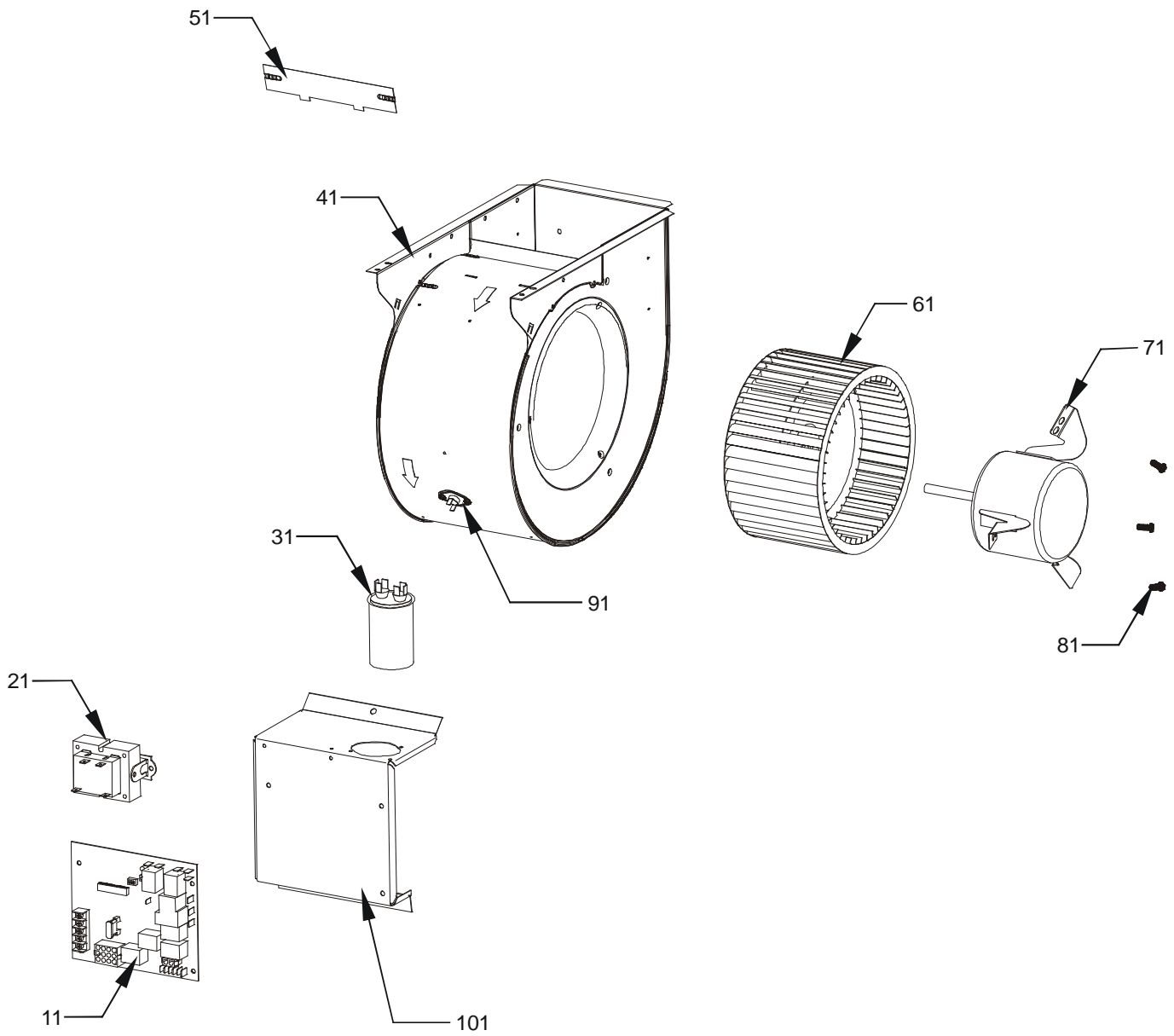
Heat Exchanger Assy



Heat Exchanger Assy

Ref. Part No: No:	Description:	Ref. Part No: No:	Description:																					
Image 1:		Image 1:																						
11	0131M00002P VENT MOTOR	151	0121F00164 BURNER BOX TOP 4 CELL (M15, M16, M17, M18, M19, M20, M21)																					
21	0128F00006 CHIMNEY TRANSITION BOTTOM	161	10123529 MANUAL RESET R.O.S. LIMIT (QTY 2)																					
31	0154F00003 VENT MOTOR GASKET 14" (M1, M2, M3, M4, M5, M6, M7, M10, M13)	171	20165703 IGNITOR (M1, M2, M3, M4, M5, M6, M8, M9, M10, M11, M12, M13, M15, M16, M17, M18, M19, M20)																					
31	0154F00004 VENT MOTOR GASKET 17.5" (M8, M9, M11, M12, M14)	171	0130F00008 IGNITOR-SINI 17 SEC (M7, M14, M21)																					
31	0154F00005 VENT MOTOR GASKET 21" (M15, M16, M17, M18, M19, M20, M21)	181	0130F00010 FLAME SENSOR																					
41	4023500 CHIMNEY TRANSITION TOP	201	DY6.186.070 VENT MOTOR CAPACITOR																					
51	0121F00327 COLLECTOR BOX 1.125" DIA (M2, M3, M5, M6, M7, M10, M13)	NS	0159F00008 IGNITOR WIRE HARNESS ASSY (M1, M2, M3, M4, M5, M6, M8, M9, M10, M11, M12, M13, M15, M16, M17, M18, M19, M20)																					
51	0121F00328 COLLECTOR BOX 1.250" DIA (M9, M12, M14)	NS	0259F00051 IGNITOR WIRE HARNESS ASSY (M7, M14, M21)																					
51	0121F00336 FLUE COLLECTOR BOX 1.50" (M16, M17, M19, M20, M21)	Expanded Model Nomenclature																						
51	0121F00198 FLUE COLLECTOR BOX KIT 14" 1.75 DIA (M1, M4)	<table border="1"> <tr><td>M1 - GHS80403ANAA</td></tr> <tr><td>M2 - GHS80403ANBA</td></tr> <tr><td>M3 - GHS80403ANBB</td></tr> <tr><td>M4 - GHS80403AXAA</td></tr> <tr><td>M5 - GHS80403AXBA</td></tr> <tr><td>M6 - GHS80403AXBB</td></tr> <tr><td>M7 - GHS80403AXBC</td></tr> <tr><td>M8 - GHS80604BNAA</td></tr> <tr><td>M9 - GHS80604BNBA</td></tr> <tr><td>M10 - GHS80604BNBB</td></tr> <tr><td>M11 - GHS80604BXAA</td></tr> <tr><td>M12 - GHS80604BXBA</td></tr> <tr><td>M13 - GHS80604BXBB</td></tr> <tr><td>M14 - GHS80604BXBC</td></tr> <tr><td>M15 - GHS80805CNAA</td></tr> <tr><td>M16 - GHS80805CNBA</td></tr> <tr><td>M17 - GHS80805CNBB</td></tr> <tr><td>M18 - GHS80805CXAA</td></tr> <tr><td>M19 - GHS80805CXBA</td></tr> <tr><td>M20 - GHS80805CXBB</td></tr> <tr><td>M21 - GHS80805CXBC</td></tr> </table>		M1 - GHS80403ANAA	M2 - GHS80403ANBA	M3 - GHS80403ANBB	M4 - GHS80403AXAA	M5 - GHS80403AXBA	M6 - GHS80403AXBB	M7 - GHS80403AXBC	M8 - GHS80604BNAA	M9 - GHS80604BNBA	M10 - GHS80604BNBB	M11 - GHS80604BXAA	M12 - GHS80604BXBA	M13 - GHS80604BXBB	M14 - GHS80604BXBC	M15 - GHS80805CNAA	M16 - GHS80805CNBA	M17 - GHS80805CNBB	M18 - GHS80805CXAA	M19 - GHS80805CXBA	M20 - GHS80805CXBB	M21 - GHS80805CXBC
M1 - GHS80403ANAA																								
M2 - GHS80403ANBA																								
M3 - GHS80403ANBB																								
M4 - GHS80403AXAA																								
M5 - GHS80403AXBA																								
M6 - GHS80403AXBB																								
M7 - GHS80403AXBC																								
M8 - GHS80604BNAA																								
M9 - GHS80604BNBA																								
M10 - GHS80604BNBB																								
M11 - GHS80604BXAA																								
M12 - GHS80604BXBA																								
M13 - GHS80604BXBB																								
M14 - GHS80604BXBC																								
M15 - GHS80805CNAA																								
M16 - GHS80805CNBA																								
M17 - GHS80805CNBB																								
M18 - GHS80805CXAA																								
M19 - GHS80805CXBA																								
M20 - GHS80805CXBB																								
M21 - GHS80805CXBC																								
51	0121F00161 FLUE COLLECTOR BOX KIT 17.5" 2.0 DIA (M8, M11)																							
51	0121F00130 FLUE COLLECTOR BOX KIT 21" 2.25 DIA (M15, M18)																							
61	0270F00900 HEAT EXCHANGER ASSY (M1, M2, M3, M4, M5, M6, M7)																							
61	0270F00929 HEAT EXCHANGER ASSY (M8, M9, M11, M12, M14)																							
61	0270F00930 HEAT EXCHANGER ASSY (M15, M16, M17, M18, M19, M20, M21)																							
61	0270F00931 HEAT EXCHANGER ASSY (M10, M13)																							
71	20162903 PRIMARY LIMIT - BLUE (M2, M3, M5, M6, M7, M8, M11)																							
71	0130M00063 PRIMARY LIMIT - GOLD 140° (M1, M4, M9, M12, M14, M15, M16, M17, M18, M19, M20, M21)																							
71	0130F00036 PRIMARY LIMIT - PINK 180° (M10, M13)																							
81	4028000 ORIFICE SHIELD 2 CELL (M1, M2, M3, M4, M5, M6, M7, M10, M13)																							
81	4028001 ORIFICE SHIELD 3 CELL (M8, M9, M11, M12, M14)																							
81	4028002 ORIFICE SHIELD 4 CELL (M15, M16, M17, M18, M19, M20, M21)																							
91	0121F00146 BURNER BOX SIDE (QTY 2)																							
101	B4022700 INSHOT BURNER ASSY 3" (QTY 2)																							
111	0121F00167 BURNER BRACKET 2B (M1, M2, M3, M4, M5, M6, M7, M10, M13)																							
111	0121F00168 BURNER BRACKET 3B (M8, M9, M11, M12, M14)																							
111	0121F00169 BURNER BRACKET 4B (M15, M16, M17, M18, M19, M20, M21)																							
121	0163F00018 ORIFICE (M1, M4, M8, M11, M15, M18)																							
121	10716005 ORIFICE (M2, M3, M5, M6, M7, M9, M10, M12, M13, M14, M16, M17, M19, M20, M21)																							
131	0120F00006 MANIFOLD (M1, M2, M3, M4, M5, M6, M7)																							
131	0120F00007 MANIFOLD (M8, M9, M10, M11, M12, M13, M14)																							
131	0120F00008 MANIFOLD (M15, M16, M17, M18, M19, M20, M21)																							
141	0151M00037 GAS VALVE (M3, M6, M7, M10, M13, M14, M17, M20, M21)																							
141	0151M00013 GAS VALVE (HW) SINGLE STAGE (M1, M2, M4, M5, M8, M9, M11, M12, M15, M16, M18, M19)																							
151	0121F00162 BURNER BOX TOP 2 CELL (M1, M2, M3, M4, M5, M6, M7, M10, M13)																							
151	0121F00163 BURNER BOX TOP 3 CELL (M8, M9, M11, M12, M14)																							

Blower and Control Panel



Blower and Control Panel

Ref. Part No:	Description:	Ref. Part No:	Description:
Image 1:		Expanded Model Nomenclature	
11	PCBBF123S IGNITION BOARD, HSI INTEGRATED (M1, M2, M3, M4, M5, M6, M8, M9, M10, M11, M12, M13, M15, M16, M17, M18, M19, M20)	M1 - GHS80403ANAA	
11	PCBBF134 PCB, IGNITION, HSI, INTEG (M7, M14, M21)	M2 - GHS80403ANBA	
21	0130M00140 TRANSFORMER 120V TO 24V, 40VA	M3 - GHS80403ANBB	
31	CAP200000370CP CAP, 20 MFD/370V/ RD (M1, M2, M3, M4, M5, M6, M7)	M4 - GHS80403AXAA	
31	CAP250000370CP CAP, 25 MFD/370V/ RD (M8, M9, M10, M11, M12, M13, M14, M15, M16, M17, M18, M19, M20, M21)	M5 - GHS80403AXBA	
41	2539307 BLOWER HOUSING 10 X 10 (M15, M16, M17, M18, M19, M20, M21)	M6 - GHS80403AXBB	
41	2539305 BLOWER HOUSING 10 X 6 (M1, M2, M3, M4, M5, M6, M7)	M7 - GHS80403AXBC	
41	2539306 BLOWER HOUSING 10 X 8 (M8, M9, M10, M11, M12, M13, M14)	M8 - GHS80604BNAA	
51	764741 BLOWER BLOCK-OFF 10 X 10 (M15, M16, M17, M18, M19, M20, M21)	M9 - GHS80604BNBA	
51	764740 BLOWER BLOCK-OFF 10 X 8 (M8, M9, M10, M11, M12, M13, M14)	M10 - GHS80604BNBB	
51	764739 BLOWER CUT-OFF 10 X 6 (M1, M2, M3, M4, M5, M6, M7)	M11 - GHS80604BXAA	
61	B1368000 BLOWER WHEEL 11 X 10 (M15, M16, M17, M18, M19, M20, M21)	M12 - GHS80604BXBA	
61	B1368053 BLOWER WHEEL 11 X 6 CW (M1, M2, M3, M4, M5, M6, M7)	M13 - GHS80604BXBB	
61	B1368054 BLOWER WHEEL 11 X 8 (M8, M9, M10, M11, M12, M13, M14)	M14 - GHS80604BXBC	
71	0131F00022 BLOWER MOTOR 1/2 HP, 4 SP, 6 PL (M1, M2, M3, M4, M5, M6, M7)	M15 - GHS80805CNAA	
71	20046618 BLOWER MOTOR 3/4 HP (M8, M9, M10, M11, M12, M13, M14, M15, M16, M17, M18, M19, M20, M21)	M16 - GHS80805CNBA	
81	M0250558 TC SCREW (QTY 3)	M17 - GHS80805CNBB	
91	0130F00038 AUX LIMIT - LT BLUE 120°	M18 - GHS80805CXAA	
101	1815817 CONTROL MOUNT PANEL	M19 - GHS80805CXBA	
NS	B1393802 SUPPORT, 2-WING BOARD, .187 MT (QTY 4)	M20 - GHS80805CXBB	
NS	B1393803 SUPPORT, SINGLE-WING BOARD	M21 - GHS80805CXBC	