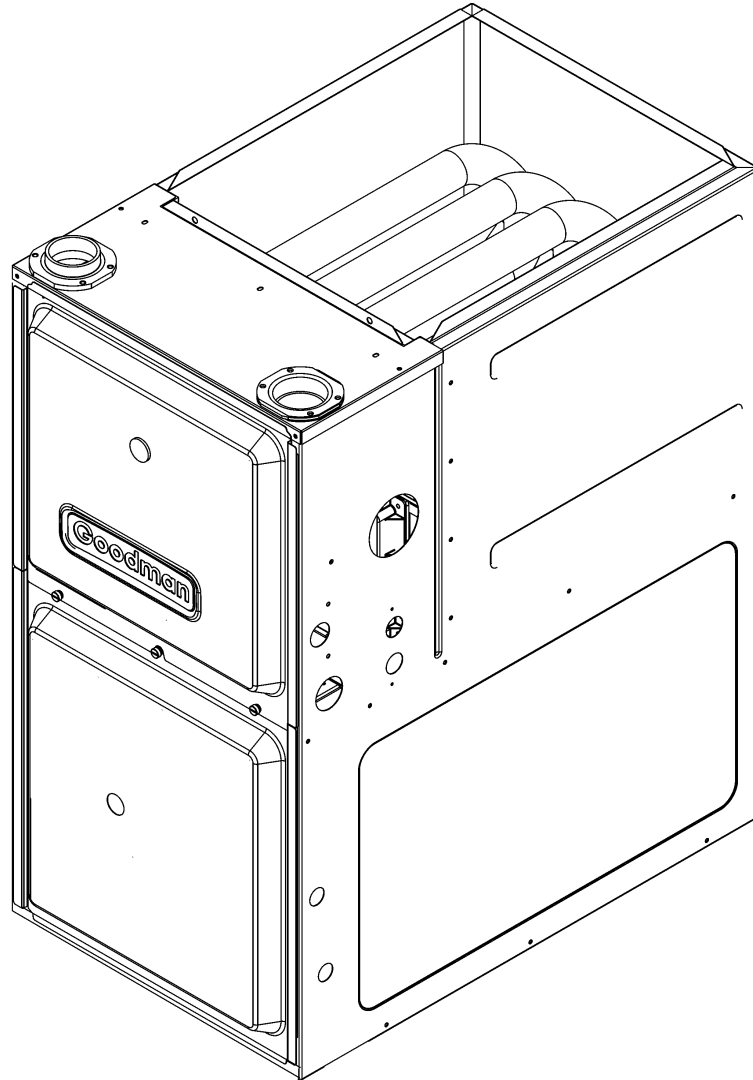




REPAIR PARTS

GMSS 92% PSC Up Flow Furnace

GMSS920402BNAA
GMSS920603BNAA
GMSS920803BNAA
GMSS920804CNAA
GMSS920805CNAA
GMSS921004CNAA
GMSS921005CNAA
GMSS921205DNAA



This manual is to be used by qualified technicians only.

This manual replaces RP-G2008A.

© 2014-2015 Goodman Manufacturing Company, L.P. ♦ 5151 San Felipe St., Suite 500 ♦ Houston, TX 77056

Important Information

Index

Functional Parts List	3
Illustration and Parts	4 - 11

Views shown are for parts illustrations only, not servicing procedures

Rev B: Updated front cover on select models.

Text Codes:

AR - As Required

NA - Not Available

NS - Not Shown

00000000 - See Note

QTY - Quantity Example (QTY 3) (If Quantity not shown, Quantity = 1)

M - Model Example (M1) (If M Code not shown, then part is used on all Models)

Expanded Model Nomenclature:

Example M1 - Model#1 M2 - Model#2 M3 - Model#3

Goodman Manufacturing Company, L.P. is not responsible for personal injury or property damage resulting from improper service. Review all service information before beginning repairs.

Warranty service must be performed by an authorized technician, using authorized factory parts. If service is required after the warranty expires, Goodman Manufacturing Company, L.P. also recommends contacting an authorized technician and using authorized factory parts.

Goodman Manufacturing Company, L.P. reserves the right to discontinue, or change at any time, specifications or designs without notice or without incurring obligations.

For assistance within the U.S.A. contact:
Consumer Affairs Department
Goodman Manufacturing Company, L.P.
7401 Security Way
Houston, Texas 77040
877-254-4729-Telephone
713-863-2382-Facsimile

For assistance outside the U.S.A. contact:
International Division
Goodman Manufacturing Company, L.P.
7401 Security Way
Houston, Texas 77040
713-861-2500-Telephone
713-863-2382-Facsimile

Functional Parts

Part

No: Description:

Part No:	Description:	Expanded Model Nomenclature
0163F00017	BECKETT BURNER (QTY A/R)	M1 - GMSS920402BNAA
0271F00182	BLOWER HSG ASSY (M4, M6)	M2 - GMSS920603BNAA
0271F00181	BLOWER HSG ASSY (M1, M2, M3)	M3 - GMSS920803BNAA
0271F00161	BLOWER SHELL & WHEEL ASSY (M5, M7)	M4 - GMSS920804CNAA
0271F00163	BLOWER SHELL & WHEEL ASSY (M8)	M5 - GMSS920805CNAA
CAP125000370LA	CAPACITOR 12.5/370V (M1, M2, M3)	M6 - GMSS921004CNAA
CAP150000370LA	CAPACITOR 15/370V (M5, M7, M8)	M7 - GMSS921005CNAA
CAP200000370LA	CAPACITOR 20/370V (M4, M6)	M8 - GMSS921205DNAA
0130F00010	FLAME SENSOR	
0151M00037	GAS VALVE	
0257F00281	HEAT EXCHANGER ASSY (M6, M7)	
0257F00283	HEAT EXCHANGER ASSY (M2)	
0257F00286	HEAT EXCHANGER ASSY (M8)	
0257F00295	HEAT EXCHANGER ASSY (M1)	
0257F00296	HEAT EXCHANGER ASSY (M4, M5)	
0257F00211	HEAT EXCHANGER ASSY (M3)	
0130F00008	IGNITOR-SINI 17 SEC	
0130M00243	INTERLOCK SWITCH	
10123539	MANUAL RESET LIMIT - ROS (M3, M5, M6, M7)	
10123517	MANUAL RESET LIMIT - ROS (M1)	
10123529	MANUAL RESET LIMIT - ROS (M8)	
0130F00123	MANUAL RESET LIMIT - ROS (M2)	
10123534	MANUAL RESET LIMIT - ROS (M4)	
0131F00038	MOTOR, 1/2 HP (M4, M6)	
0131F00027	MOTOR, 1/3HP, 4SP, 6PL (M1, M2, M3)	
0131F00031	MOTOR, 3/4 HP (M5, M7, M8)	
PCBBF134	PCB, IGNITION, HSI, INTEG	
0130F00476	PRESSURE SWITCH (-.1 / -.85) (M1)	
0130F00479	PRESSURE SWITCH (-.1 / -.97) (M3, M6, M7)	
0130F00480	PRESSURE SWITCH (-.1 / -1.2) (M2, M4, M5, M8)	
20162907	PRIMARY LIMIT (M7)	
20162903	PRIMARY LIMIT - BLUE (M5, M6)	
0130F00038	PRIMARY LIMIT - LT BLUE 120° (AUX) (QTY 2)	
0130F00036	PRIMARY LIMIT - PINK (M1, M2, M4)	
20162906	PRIMARY LIMIT - WHITE (M3)	
20162904	PRIMARY LIMIT-TEMPERATURE CONTROL (M8)	
0150M00042	WHEEL, BLOWER (10 X 10) (M4, M6)	
0150M00043	WHEEL, BLOWER (10 X 8) (M1, M2, M3)	

SPECIAL PARTS

0161F00000P GOODMAN NAMEPLATE

Cabinet

Image 1

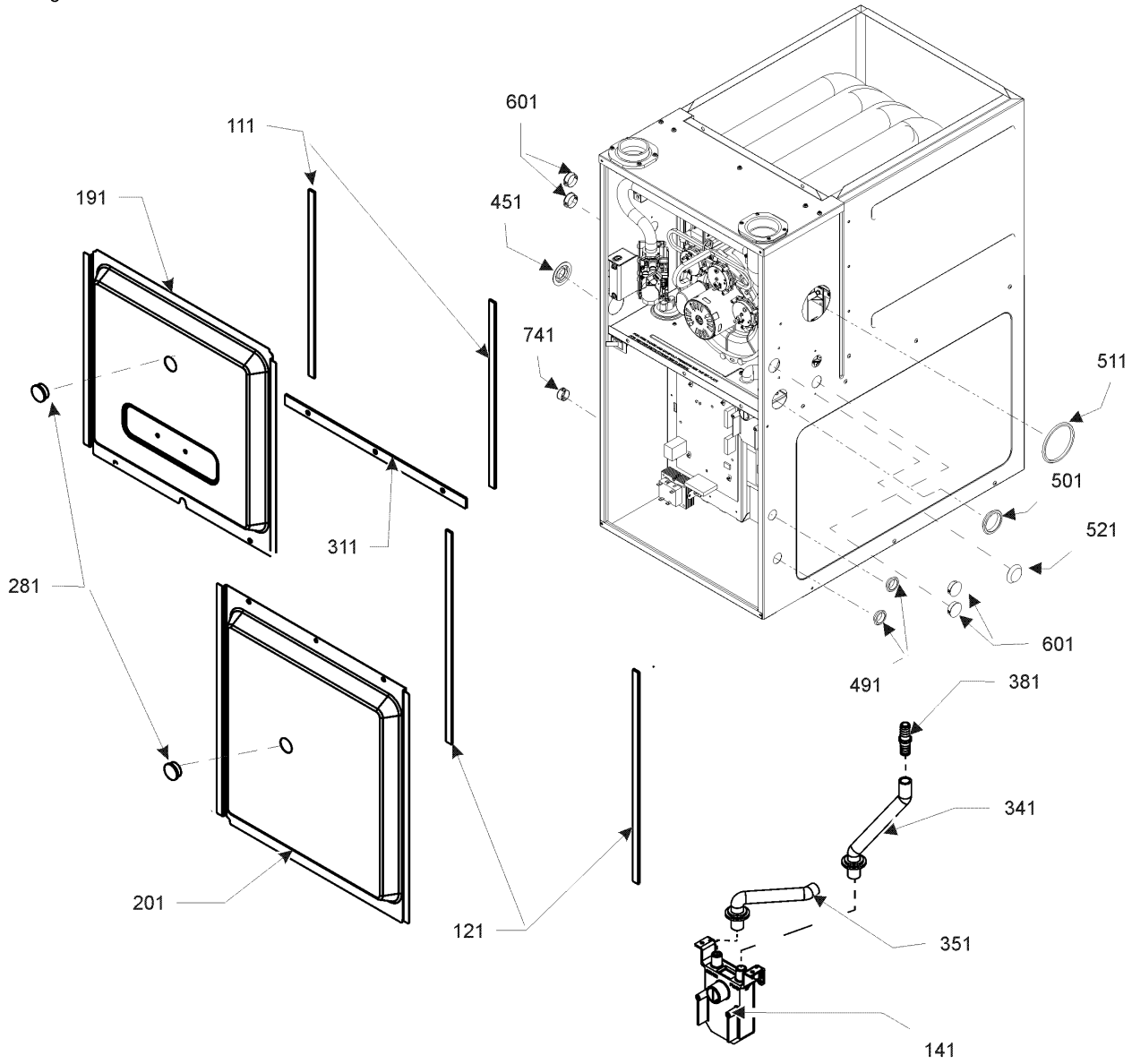
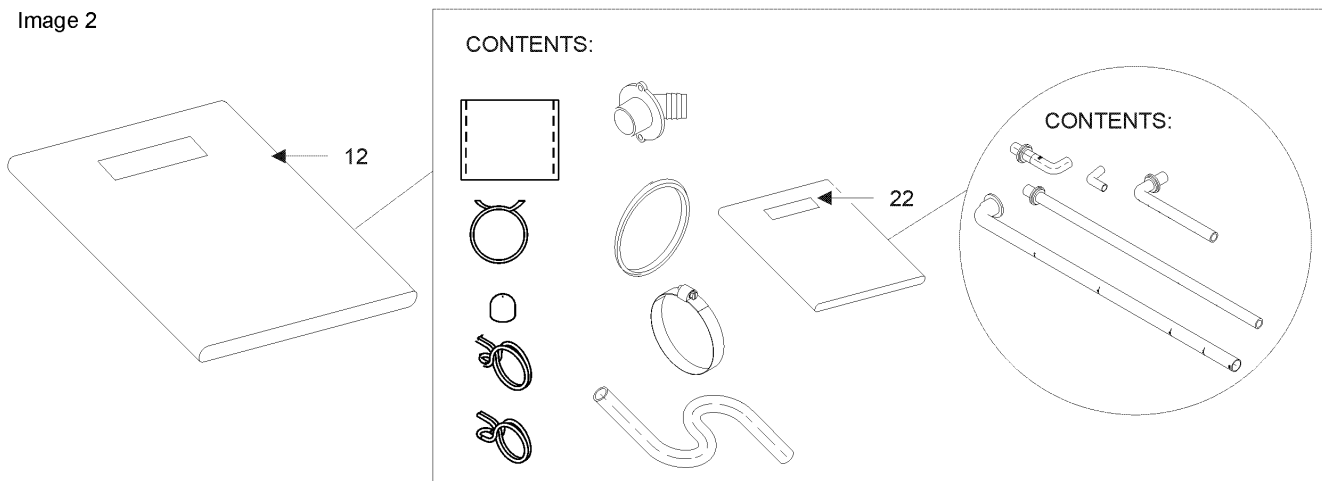


Image 2



Cabinet

Ref. Part No: No:	Description:	Ref. Part No: No:	Description:
-------------------	--------------	-------------------	--------------

Image 1:

111	0154F00024	GASKET (QTY 2)
121	0154F00025	GASKET (QTY 2)
141	0161F00046	DRAIN TRAP
191	0121F00291DG	DOOR, ACCESS 17.5 PNT (M1, M2, M3)
191	0121F00292DG	DOOR, ACCESS 21 PNT (M4, M5, M6, M7)
191	0121F00293DG	DOOR, ACCESS 24.5 PNT (M8)
201	0121F00288DG	DOOR, BLOWER 17.5 PNT (M1, M2, M3)
201	0121F00289DG	DOOR, BLOWER 21 PNT (M4, M5, M6, M7)
201	0121F00290DG	DOOR, BLOWER 24.5 PNT (M8)
281	B1392139	VIEW PORT BUSHING-BLOWER DOOR (QTY 2)
311	0154F00020	GASKET, DECK (M1, M2, M3)
311	0154F00021	GASKET, DECK (M4, M5, M6, M7)
311	0154F00022	GASKET, DECK (M8)
341	0164F00017	HOSE-ELBOW/TRAP
351	0164F00006	HOSE, COVER/TRAP
381	0161F00047	COUPLING, HOSE BARBED
451	M0501301	PIPE GROMMET
491	M0570808	BUTTON PLUG (QTY 3)
501	M0570806	BUTTON PLUG
511	M0570807	BUTTON PLUG
521	0161M00027	PLUG, HOLE (M1, M2, M3, M6, M7)
601	B1392021	PLASTIC PLUG, 1" (2713-BLK) (QTY 4)
741	B1392104	UNIVERSAL BUSHING UB 875
NS	M0310345	BUTTON PLUG (QTY 2)
NS	0161F00000P	GOODMAN NAMEPLATE
NS	0163M00049	HOSE CLAMP (QTY 3)
NS	M0209730	SCREW-DECORATIVE (QTY 3)

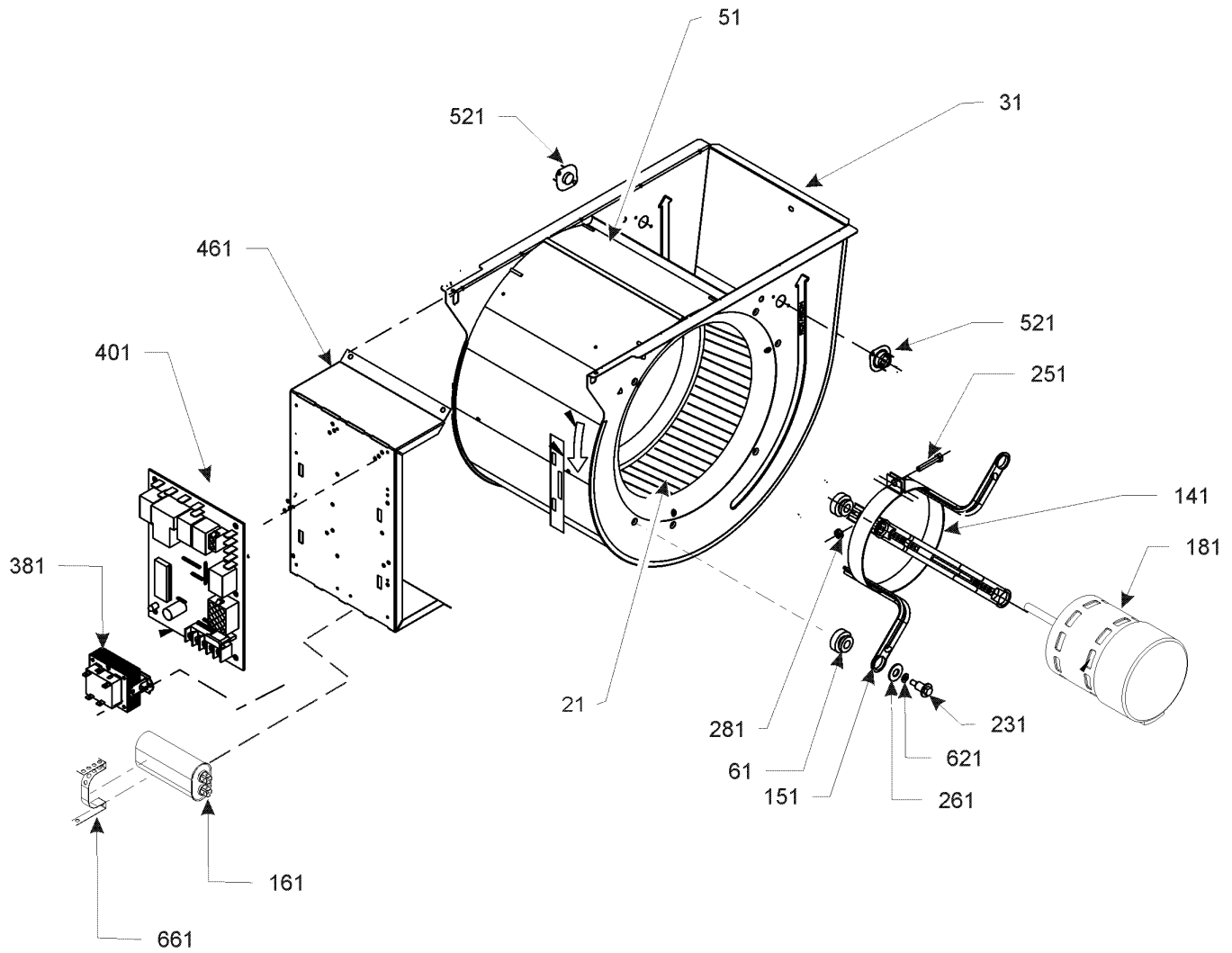
Image 2:

12	0270F03140	DRAIN PART BAG ASSY UF
22	0270F03138	BAG ASSY UF

Expanded Model Nomenclature

- | |
|---------------------|
| M1 - GMSS920402BNAA |
| M2 - GMSS920603BNAA |
| M3 - GMSS920803BNAA |
| M4 - GMSS920804CNAA |
| M5 - GMSS920805CNAA |
| M6 - GMSS921004CNAA |
| M7 - GMSS921005CNAA |
| M8 - GMSS921205DNAA |

Blower Assembly



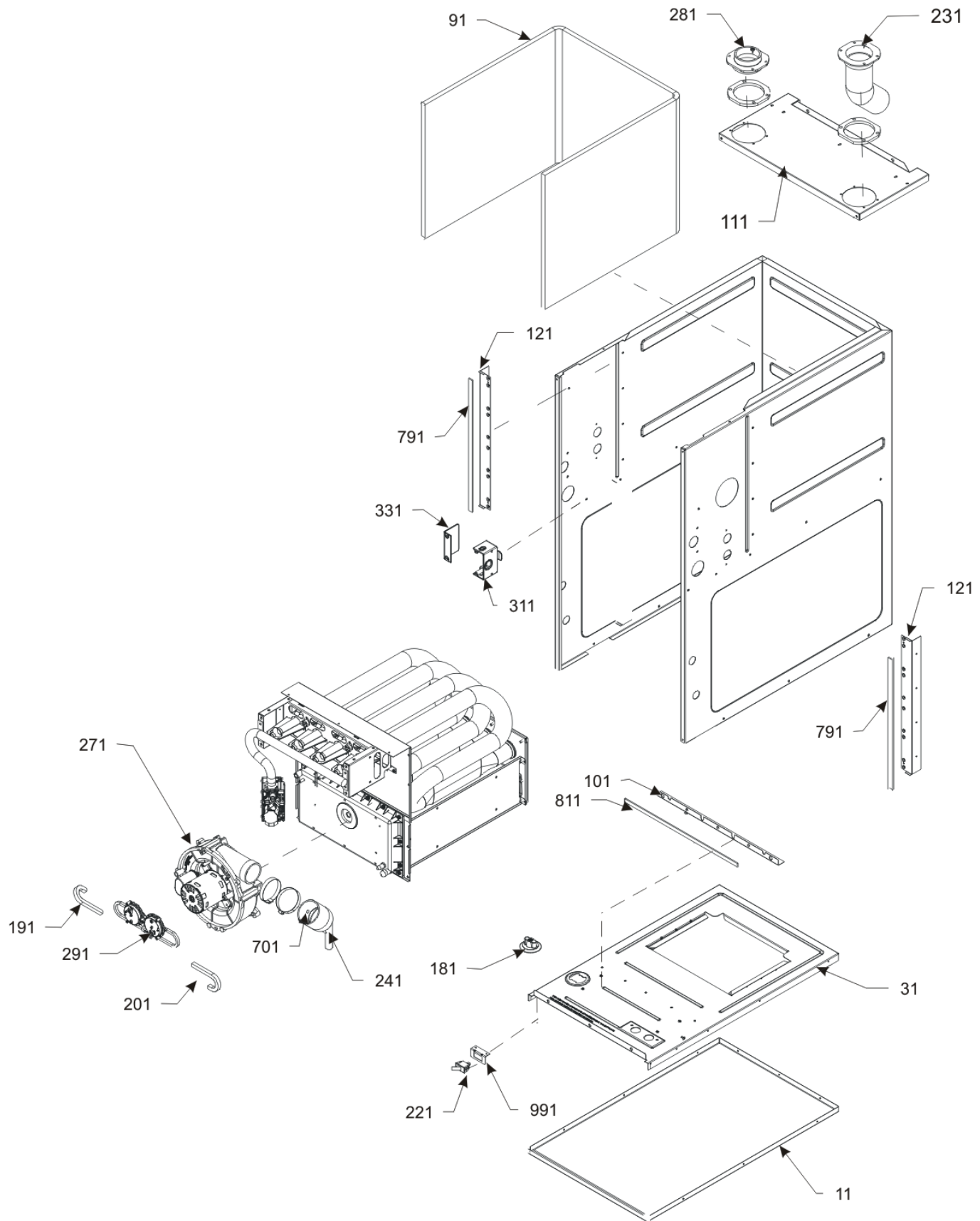
Blower Assembly

Ref. Part No: No:	Description:	Ref. Part No: No:	Description:
Image 1:			
21	0150M00042		WHEEL, BLOWER (10 X 10) (M4, M6)
21	0150M00043		WHEEL, BLOWER (10 X 8) (M1, M2, M3)
31	0271F00181		BLOWER HSG ASSY (M1, M2, M3)
31	0271F00182		BLOWER HSG ASSY (M4, M6)
31	0271F00161		BLOWER SHELL & WHEEL ASSY (M5, M7)
31	0271F00163		BLOWER SHELL & WHEEL ASSY (M8)
51	764741		BLOWER BLOCK-OFF 10 X 10 (M4, M6)
51	764740		BLOWER BLOCK-OFF 10 X 8 (M1, M2, M3)
61	A4002702		BLOWER MOTOR GROMMET (M5, M7, M8)
141	10441601		MOTOR MOUNT BAND (M5, M7, M8)
151	10441501		MOTOR MOUNT ARM (M5, M7, M8)
161	CAP125000370LA		CAPACITOR 12.5/370V (M1, M2, M3)
161	CAP150000370LA		CAPACITOR 15/370V (M5, M7, M8)
161	CAP200000370LA		CAPACITOR 20/370V (M4, M6)
181	0131F00038		MOTOR, 1/2 HP (M4, M6)
181	0131F00027		MOTOR, 1/3HP, 4SP, 6PL (M1, M2, M3)
181	0131F00031		MOTOR, 3/4 HP (M5, M7, M8)
231	M0221461		TC SCREW (M5, M7, M8)
231	M0250558		TC SCREW (M1, M2, M3, M4, M6)
251	M0267144		MACHINE SCREW (M5, M7, M8)
261	M0274008		WASHER-FLAT (M5, M7, M8)
281	M0282015		KEPS NUT (M5, M7, M8)
381	0130M00140		TRANSFORMER 120V TO 24V, 40VA
401	PCBBF134		PCB, IGNITION, HSI, INTEG
461	0121F00464		MOUNTING PLATE-CONTROLS
521	0130F00038		PRIMARY LIMIT - LT BLUE 120° (AUX) (QTY 2)
621	B1392820		WASHER, SPLIT LOCK 1/4 BZ (M5, M7, M8)
661	20520901		CAPACITOR STRAP
NS	B1392021		PLASTIC PLUG, 1" (2713-BLK) (QTY 4)
NS	0259F00024		WIRE HARNESS-BLOWER

Expanded Model Nomenclature

M1 - GMSS920402BNAA
M2 - GMSS920603BNAA
M3 - GMSS920803BNAA
M4 - GMSS920804CNAA
M5 - GMSS920805CNAA
M6 - GMSS921004CNAA
M7 - GMSS921005CNAA
M8 - GMSS921205DNAA

Chassis



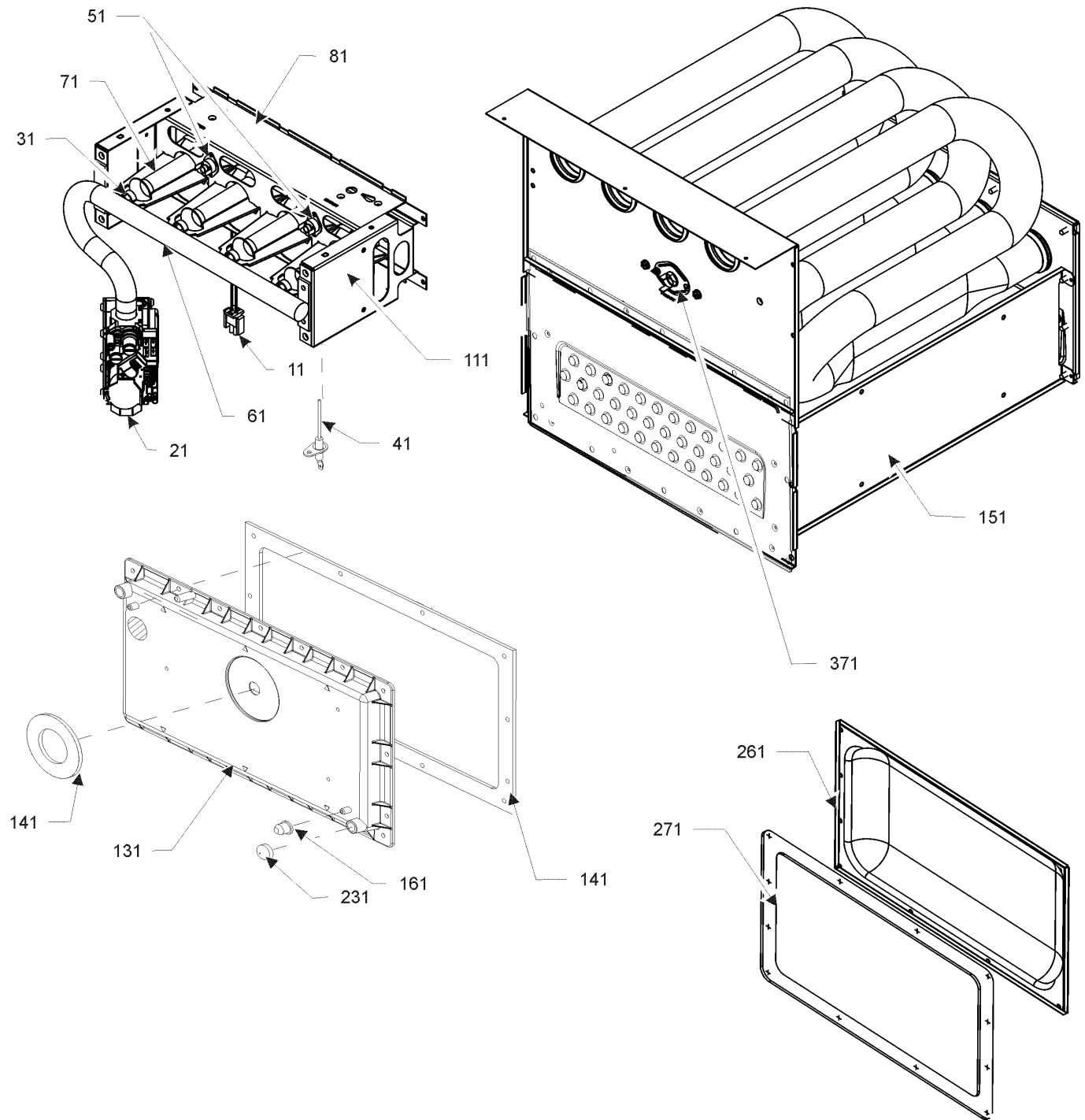
Chassis

Ref. Part No: No:	Description:	Ref. Part No: No:	Description:
Image 1:			
11	0121F00386DG		BASEPAN, UPFLOW PNT (M1, M2, M3)
11	0121F00387DG		BASEPAN, UPFLOW PNT (M4, M5, M6, M7)
11	0121F00388DG		BASEPAN, UPFLOW PNT (M8)
31	0121F00285		DECK, BLOWER 17.5 (M1, M2, M3)
31	0121F00286		DECK, BLOWER 21 (M4, M5, M6, M7)
31	0121F00287		DECK, BLOWER 24.5 (M8)
91	0160F00015		INSULATION, HT EXCHANGER 17.5" (M1, M2, M3)
91	0160F00016		INSULATION, HT EXCHANGER 21" (M4, M5, M6, M7)
91	0160F00017		INSULATION, HT EXCHANGER 24.5" (M8)
101	0121F00314		ANGLE, DECK (M1, M2, M3)
101	0121F00315		ANGLE, DECK (M4, M5, M6, M7)
101	0121F00316		ANGLE, DECK (M8)
111	0121F00279DG		PAINTED TOP, FURNACE 17.5 (M1, M2, M3)
111	0121F00280DG		PAINTED TOP, FURNACE 21 (M4, M5, M6, M7)
111	0121F00281DG		PAINTED TOP, FURNACE 24.5 (M8)
121	0121F00313		ANGLE, SIDE (QTY 2)
181	0159F00042		HARNESS-WIRING (M1, M2, M3)
181	0159F00043		HARNESS-WIRING (M4, M5, M6, M7, M8)
191	0164M00015		PRESSURE SWITCH HOSE
201	0164M00008		PRESSURE SWITCH HOSE
221	0130M00243		INTERLOCK SWITCH
231	0164F00002		FLUE PIPE W/BEND
241	0164F00001		ELBOW-FLUE, UPFLOW
271	0171M00001		MOTOR-ID, BLOWER
281	0161F00037		COUPLING
291	0130F00476		PRESSURE SWITCH (-.1 / -.85) (M1)
291	0130F00479		PRESSURE SWITCH (-.1 / -.97) (M3, M6, M7)
291	0130F00480		PRESSURE SWITCH (-.1 / -1.2) (M2, M4, M5, M8)
311	0161F00042		JUNCTION BOX PLA
331	0161F00043		JUNCTION BOX LID
701	M0326804		TUBE PLUG
791	0154F00015		GASKET (QTY 2)
811	0154F00014		GASKET (M1, M2, M3)
811	0154F00016		GASKET (M4, M5, M6, M7)
811	20194607		GASKET (M8)
991	0121F00389		BRACKET, DOOR SWITCH

Expanded Model Nomenclature

- | |
|---------------------|
| M1 - GMSS920402BNAA |
| M2 - GMSS920603BNAA |
| M3 - GMSS920803BNAA |
| M4 - GMSS920804CNAA |
| M5 - GMSS920805CNAA |
| M6 - GMSS921004CNAA |
| M7 - GMSS921005CNAA |
| M8 - GMSS921205DNAA |

Heat Exchanger / Manifold / Gas Valve



Heat Exchanger / Manifold / Gas Valve

Ref. Part No:	Description:	Ref. Part No:	Description:
<i>Image 1:</i>		Expanded Model Nomenclature	
11	0130F00008	IGNITOR-SINI 17 SEC	M1 - GMSS920402BNAA
21	0151M00037	GAS VALVE	M2 - GMSS920603BNAA
31	0163F00004	ORIFICE (QTY 2)	M3 - GMSS920803BNAA
41	0130F00010	FLAME SENSOR	M4 - GMSS920804CNAA
51	0130F00123	MANUAL RESET LIMIT - ROS (M2)	M5 - GMSS920805CNAA
51	10123517	MANUAL RESET LIMIT - ROS (M1)	M6 - GMSS921004CNAA
51	10123529	MANUAL RESET LIMIT - ROS (M8)	M7 - GMSS921005CNAA
51	10123534	MANUAL RESET LIMIT - ROS (M4)	M8 - GMSS921205DNAA
51	10123539	MANUAL RESET LIMIT - ROS (M3, M5, M6, M7)	
61	0163F00007	MANIFOLD (M1)	
61	0163F00008	MANIFOLD (M2)	
61	0163F00009	MANIFOLD (M4, M5)	
61	0163F00010	MANIFOLD (M6, M7)	
61	0163F00011	MANIFOLD (M8)	
61	0163F00014	MANIFOLD (M3)	
71	0163F00017	BECKETT BURNER (QTY A/R)	
81	0121F00456	BRACKET-BURNER 2 (M1)	
81	0121F00455	BRACKET-BURNER 3 (M2)	
81	0121F00454	BRACKET-BURNER 4 (M3, M4, M5)	
81	0121F00453	BRACKET-BURNER 5 (M6, M7)	
81	0121F00451	BRACKET-BURNER 6 (M8)	
111	0121F00469	ORIFICE BRACKET-BURNER 2 (M1)	
111	0121F00468	ORIFICE BRACKET-BURNER 3 (M2)	
111	0121F00467	ORIFICE BRACKET-BURNER 4 (M3, M4, M5)	
111	0121F00466	ORIFICE BRACKET-BURNER 5 (M6, M7)	
111	0121F00465	ORIFICE BRACKET-BURNER 6 (M8)	
131	0161F00016	COVER, FRONT (M3)	
131	0161F00018	COVER, FRONT (M4, M5)	
131	0161F00023	COVER, FRONT (M1)	
131	0161F00027	COVER, FRONT (M6, M7)	
131	0161F00028	COVER, FRONT (M8)	
131	0161F00031	COVER, FRONT (M2)	
141	0154F00011	GASKET, FRONT (M1, M2, M3)	
141	0154F00012	GASKET, FRONT (M4, M5, M6, M7)	
141	0154F00013	GASKET, FRONT (M8)	
151	0257F00211	HEAT EXCHANGER ASSY (M3)	
151	0257F00281	HEAT EXCHANGER ASSY (M6, M7)	
151	0257F00283	HEAT EXCHANGER ASSY (M2)	
151	0257F00286	HEAT EXCHANGER ASSY (M8)	
151	0257F00295	HEAT EXCHANGER ASSY (M1)	
151	0257F00296	HEAT EXCHANGER ASSY (M4, M5)	
161	M0326804	TUBE PLUG	
231	A1781105	CAP-VINYL .500	
261	0121F00317	COVER, REAR (M1, M2, M3)	
261	0121F00318	COVER, REAR (M4, M5, M6, M7)	
261	0121F00319	COVER, REAR (M8)	
271	0154F00037	GASKET, REAR CVR (M1, M2, M3)	
271	0154F00038	GASKET, REAR CVR (M4, M5, M6, M7)	
271	0154F00039	GASKET, REAR CVR (M8)	
371	20162907	PRIMARY LIMIT (M7)	
371	20162903	PRIMARY LIMIT - BLUE (M5, M6)	
371	0130F00036	PRIMARY LIMIT - PINK (M1, M2, M4)	
371	20162906	PRIMARY LIMIT - WHITE (M3)	
371	20162904	PRIMARY LIMIT-TEMPERATURE CONTROL (M8)	
NS	0121F00439	PRIMARY LIMIT-HEAT SHIELD	
NS	0121F00355	SHIELD, COIL (QTY 2)	