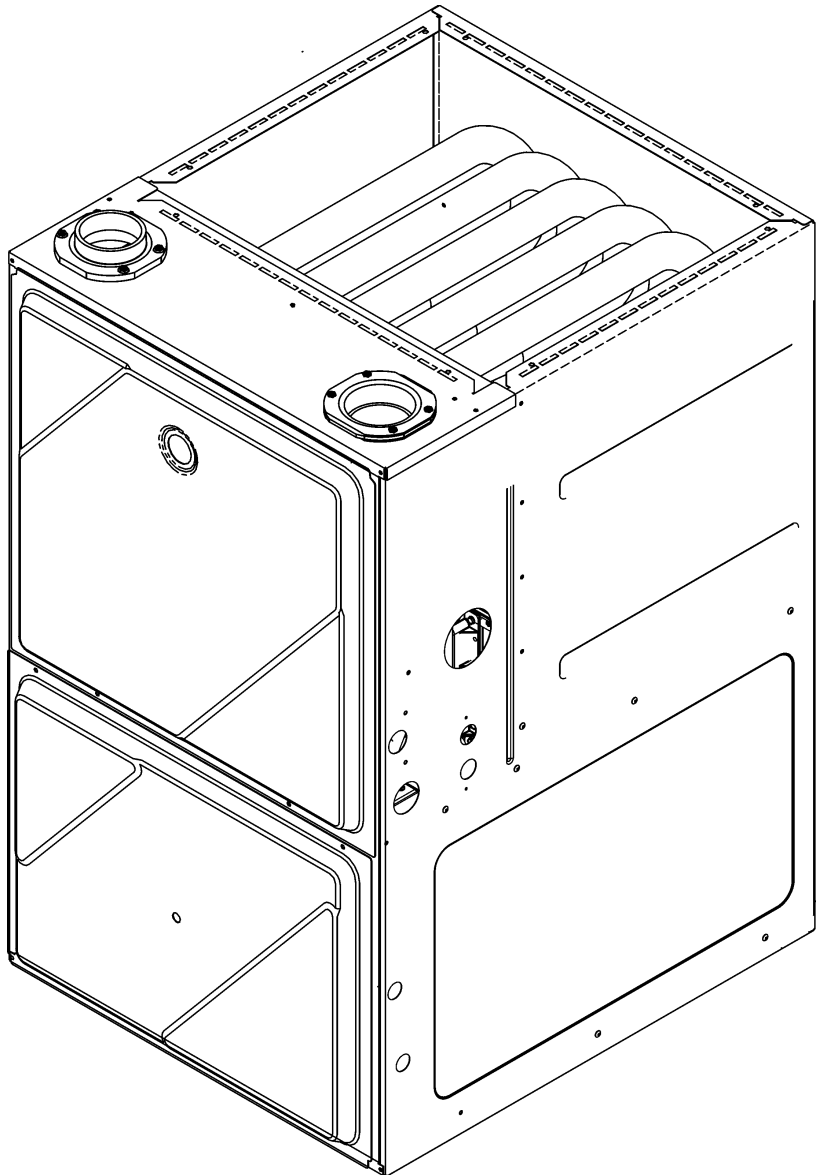




# REPAIR PARTS

## GMSS 96% Single Stage PSC Up Flow Furnace

GMSS960402BNAA  
GMSS960603BNAA  
GMSS960803BNAA  
GMSS960804CNAA  
GMSS960805CNAA  
GMSS961005CNAA  
GMSS961205DNAA



This manual is to be used by qualified technicians only.

This manual replaces RP-G2005B.

© 2014 - 2015, 2017 Goodman Manufacturing Company, L.P. ♦ 5151 San Felipe St., Suite 500 ♦ Houston, TX 77056

# Important Information

---

## Index

Functional Parts List .....	3
Illustration and Parts .....	4 - 11

*Views shown are for parts illustrations only, not servicing procedures*

### Text Codes:

AR - As Required

NA - Not Available

NS - Not Shown

00000000 - See Note

QTY - Quantity Example (QTY 3) (If Quantity not shown, Quantity = 1)

M - Model Example (M1) (If M Code not shown, then part is used on all Models)

### Expanded Model Nomenclature:

Example M1 - Model#1 M2 - Model#2 M3 - Model#3
---

Goodman Manufacturing Company, L.P. is not responsible for personal injury or property damage resulting from improper service. Review all service information before beginning repairs.

Warranty service must be performed by an authorized technician, using authorized factory parts. If service is required after the warranty expires, Goodman Manufacturing Company, L.P. also recommends contacting an authorized technician and using authorized factory parts.

Goodman Manufacturing Company, L.P. reserves the right to discontinue, or change at any time, specifications or designs without notice or without incurring obligations.

For assistance within the U.S.A. contact:  
Homeowner Support  
Goodman Manufacturing Company, L.P.  
19001 Kermier Road  
Waller, Texas 77484  
877-254-4729-Telephone  
713-863-2382-Facsimile

For assistance outside the U.S.A. contact:  
International Division  
Goodman Manufacturing Company, L.P.  
19001 Kermier Road  
Waller, Texas 77484  
713-861-2500-Telephone  
713-863-2382-Facsimile

# Functional Parts

## Part

## No: Description:

---

20162904	*PRIMARY LIMIT-TEMPERATURE CONTROL (M3, M6, M7) *Refer to service bulletin SF-054
0163F00017	BECKETT BURNER (QTY A/R)
0271F00181	BLOWER HSG ASSY (M1, M2, M3)
0271F00182	BLOWER HSG ASSY (M4)
0271F00163	BLOWER SHELL & WHEEL ASSY (M7)
0271F00161	BLOWER SHELL & WHEEL ASSY (M5, M6)
CAP125000370LA	CAPACITOR 12.5/370V (M1, M2)
CAP150000370LA	CAPACITOR 15/370V (M5, M6, M7)
CAP200000370LA	CAPACITOR 20/370V (M3, M4)
0130F00010	FLAME SENSOR
0151M00037	GAS VALVE
0257F00374	HEAT EXCHANGER ASSY (M2)
0257F00384	HEAT EXCHANGER ASSY (M1)
0257F00379	HEAT EXCHANGER ASSY (M3)
0257F00240	HEAT EXCHANGER ASSY (M4, M5)
0257F00257	HEAT EXCHANGER ASSY (M7)
0257F00280	HEAT EXCHANGER ASSY (M6)
0130F00008	IGNITOR-SINI 17 SEC
0130M00243	INTERLOCK SWITCH
0130F00123	MANUAL RESET LIMIT (M5)
10123539	MANUAL RESET LIMIT-ORANGE (M2, M4)
10123538	MANUAL RESET LIMIT-TAN (M1, M3, M6)
10123528	MANUAL RESET R.O.S. LIMIT (M7)
0131F00038	MOTOR, 1/2 HP (M4)
0131F00030	MOTOR, 1/2HP (M3)
0131F00027	MOTOR, 1/3HP, 4SP, 6PL (M1, M2)
0131F00031	MOTOR, 3/4 HP (M5, M6, M7)
PCBBF140	PCB, IGNITION CONTROL
20162903	PRIMARY LIMIT - BLUE (M2, M4, M5)
0130F00038	PRIMARY LIMIT - LT BLUE 120° (AUX) (QTY 2)
20162906	PRIMARY LIMIT - WHITE (M1)
0130F00440	SWITCH, PRESSURE (M2)
0130F00439	SWITCH, PRESSURE (M3, M4, M5, M6)
0130F00447	SWITCH, PRESSURE (M1)
0130F00438	SWITCH, PRESSURE (M7)
0130M00140	TRANSFORMER 120V TO 24V, 40VA
0150M00042	WHEEL, BLOWER (10 X 10) (M4)
0150M00043	WHEEL, BLOWER (10 X 8) (M1, M2, M3)

### SPECIAL PARTS

0161F00086 NAMEPLATE, GOODMAN

### Expanded Model Nomenclature

M1 - GMSS960402BNAA
M2 - GMSS960603BNAA
M3 - GMSS960803BNAA
M4 - GMSS960804CNAA
M5 - GMSS960805CNAA
M6 - GMSS961005CNAA
M7 - GMSS961205DNAA

# CABINET ASSEMBLY

IMAGE 1

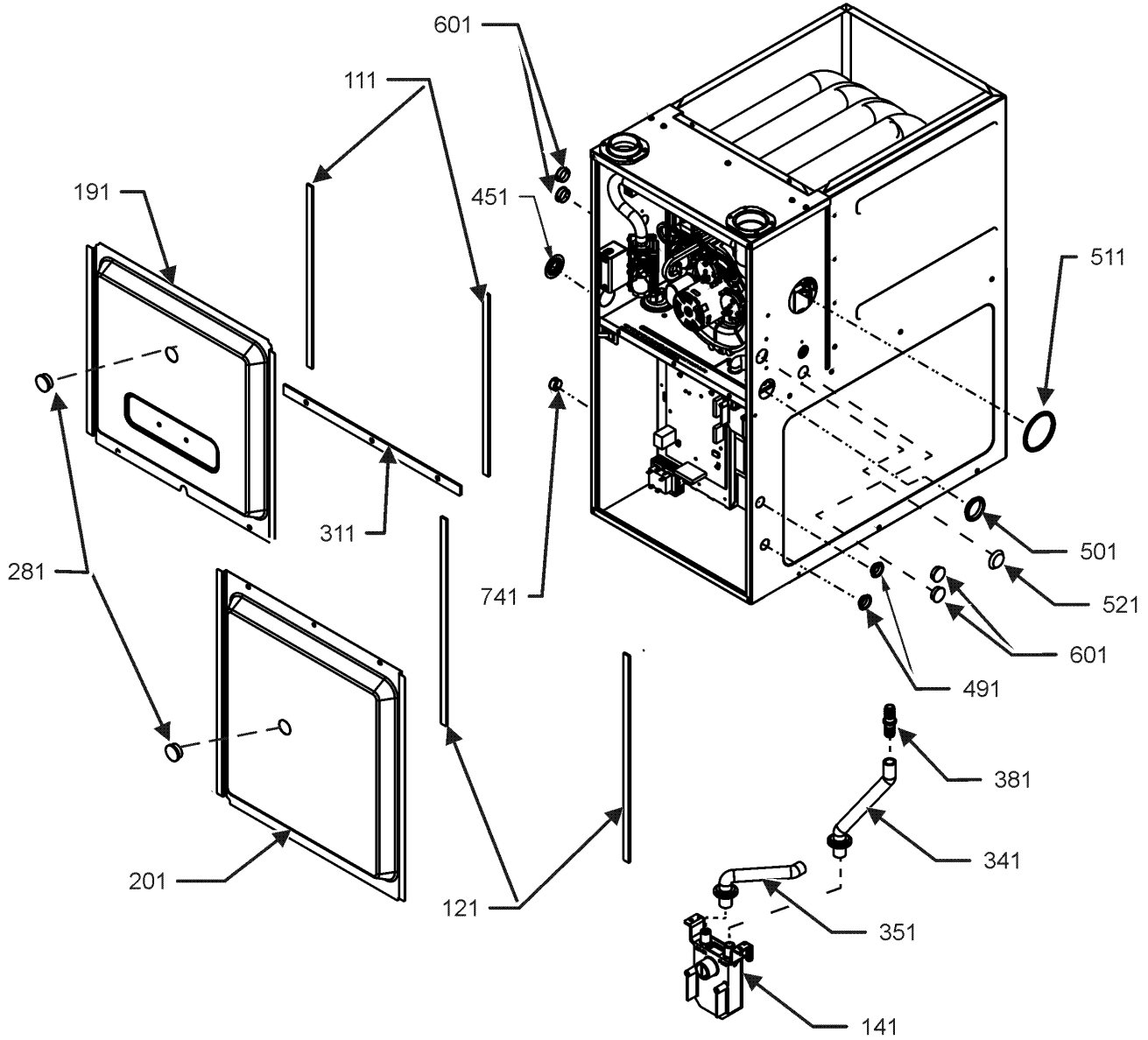
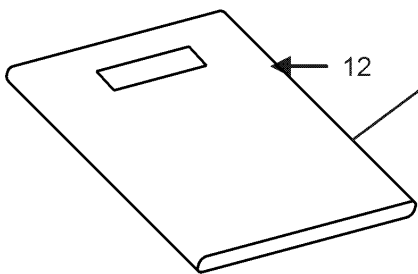
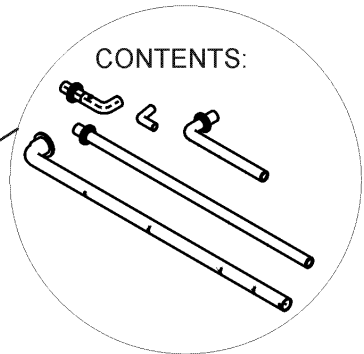
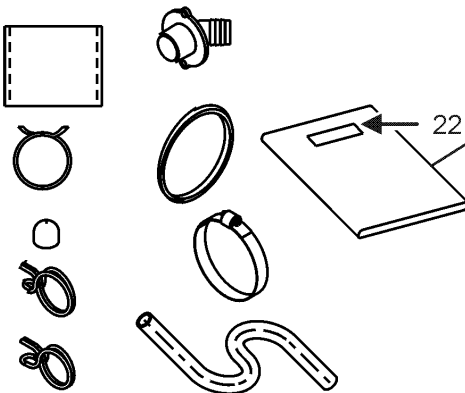


IMAGE 2



CONTENTS:



# CABINET ASSEMBLY

Ref. Part No:	No:	Description:	Ref. Part No:	No:	Description:
<b>Image 1:</b>					
111	0154F00024	GASKET (QTY 2)			
121	0154F00025	GASKET (QTY 2)			
141	0161F00046	DRAIN TRAP			
191	0121F00292DG	DOOR ACCESS 21" PNT (M4, M5, M6)			
191	0121F00291DG	DOOR, ACCESS 17.5 PNT (M1, M2, M3)			
191	0121F00293DG	DOOR, ACCESS 24.5" PNT (M7)			
201	0121F00288DG	DOOR, BLOWER 17.5" PNT (M1, M2, M3)			
201	0121F00289DG	DOOR, BLOWER 21" PNT (M4, M5, M6)			
201	0121F00290DG	DOOR, BLOWER 24.5" PNT (M7)			
281	B1392139	VIEW PORT BUSHING-BLOWER DOOR (QTY 2)			
311	0154F00020	DECK GASKET (M1, M2, M3)			
311	0154F00021	DECK GASKET (M4, M5, M6)			
311	0154F00022	DECK GASKET (M7)			
341	0164F00017	ELBOW/TRAP HOSE			
351	0164F00006	COVER/TRAP HOSE			
381	0161F00047	BARDED HOSE COUPLING			
451	M0501301	PIPE GROMMET			
491	M0570808	BUTTON PLUG (QTY 3)			
501	M0570806	BUTTON PLUG			
511	M0570807	BUTTON PLUG			
521	0161M00027	HOLE PLUG (M1, M2, M3, M6)			
601	B1392021	PLASTIC PLUG, 1" (2713-BLK) (QTY 4)			
741	B1392104	UNIVERSAL BUSHING UB 875			
NS	M0310345	BUTTON PLUG (QTY 2)			
NS	M0209730	DECORATIVE SCREW (QTY 3)			
NS	0163M00049	HOSE CLAMP (QTY 3)			
NS	0161F00086	NAMEPLATE, GOODMAN			
NS	M0273904	RETAINER-SCREW (QTY 3)			

**Image 2:**

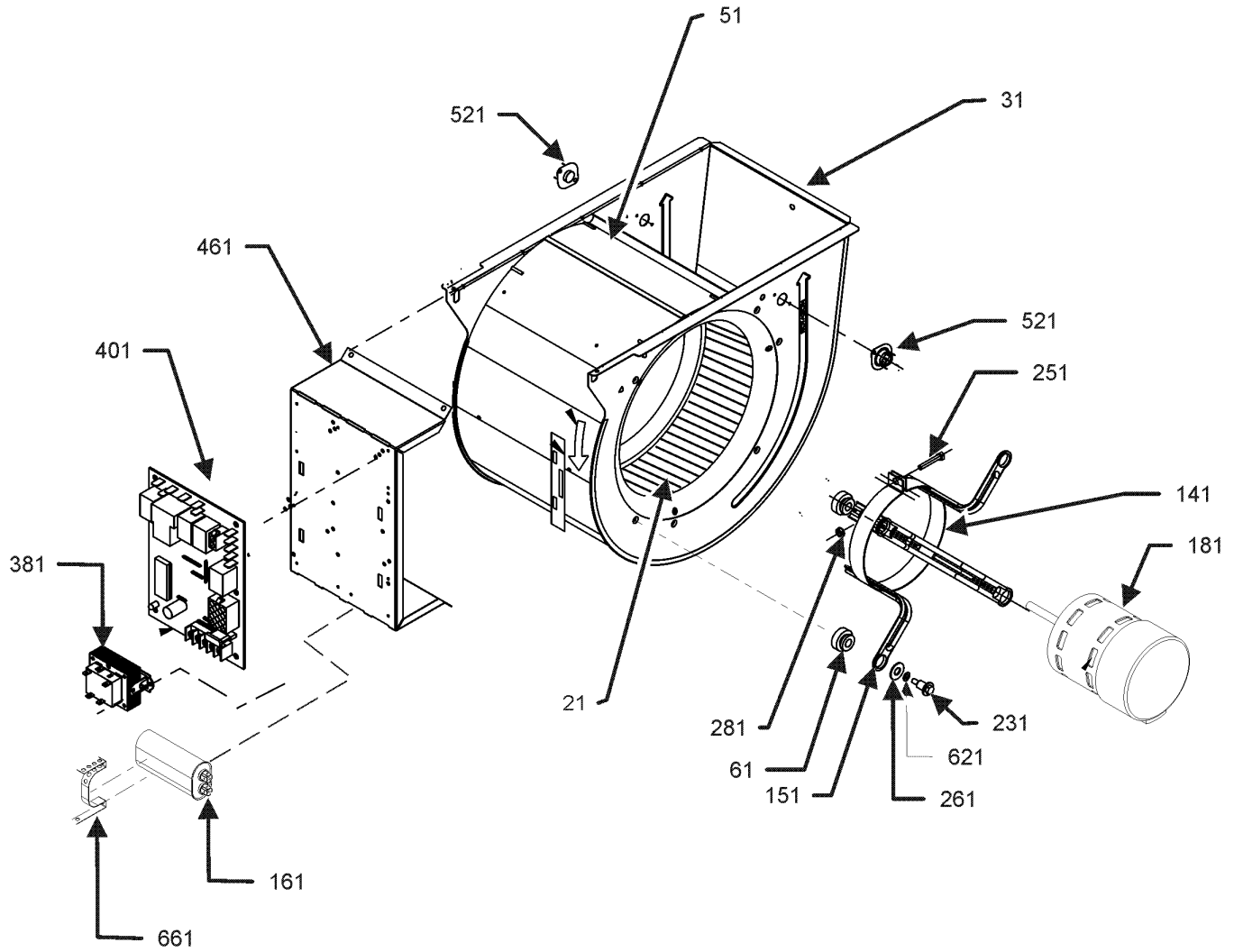
12	0270F03140	DRAIN PART BAG ASSY UF
22	0270F03667	BAG ASSY UF

**Expanded Model Nomenclature**

- |                     |
|---------------------|
| M1 - GMSS960402BNAA |
| M2 - GMSS960603BNAA |
| M3 - GMSS960803BNAA |
| M4 - GMSS960804CNAA |
| M5 - GMSS960805CNAA |
| M6 - GMSS961005CNAA |
| M7 - GMSS961205DNAA |

# BLOWER ASSEMBLY

## BLOWER ASSEMBLY



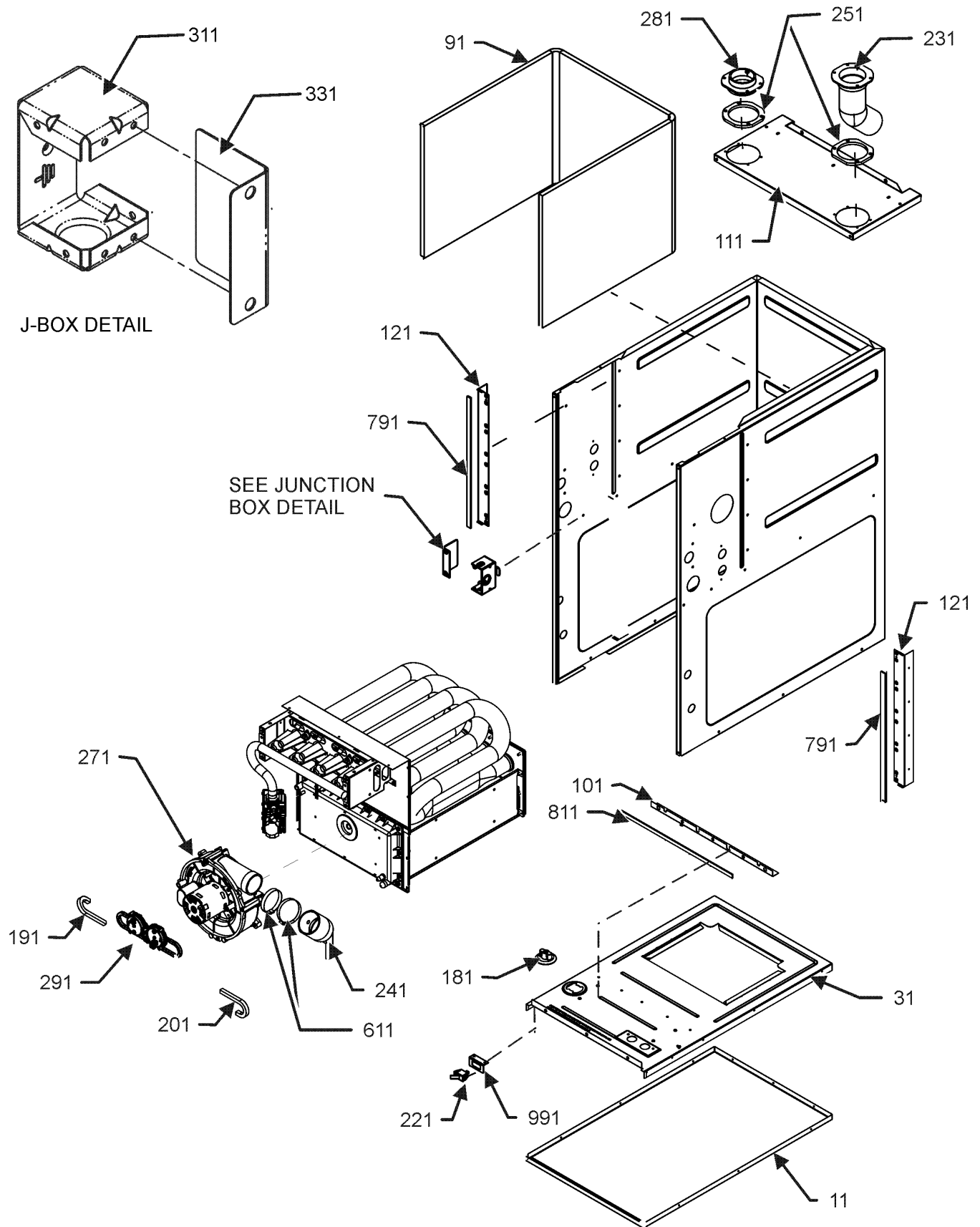
# BLOWER ASSEMBLY

Ref. Part No:	No:	Description:	Ref. Part No:	No:	Description:
<i>Image 1:</i>					
21	0150M00042	WHEEL, BLOWER (10 X 10) (M4)			
21	0150M00043	WHEEL, BLOWER (10 X 8) (M1, M2, M3)			
31	0271F00181	BLOWER HSG ASSY (M1, M2, M3)			
31	0271F00182	BLOWER HSG ASSY (M4)			
31	0271F00161	BLOWER SHELL & WHEEL ASSY (M5, M6)			
31	0271F00163	BLOWER SHELL & WHEEL ASSY (M7)			
51	764741	BLOWER BLOCK-OFF 10 X 10 (M4)			
51	764740	BLOWER BLOCK-OFF 10 X 8 (M1, M2, M3)			
61	A4002702	BLOWER MOTOR GROMMET (M5, M6, M7)			
141	10441601	MOTOR MOUNT BAND (M5, M6, M7)			
151	10441501	MOTOR MOUNT ARM (M5, M6, M7)			
161	CAP125000370LA	CAPACITOR 12.5/370V (M1, M2)			
161	CAP150000370LA	CAPACITOR 15/370V (M5, M6, M7)			
161	CAP200000370LA	CAPACITOR 20/370V (M3, M4)			
181	0131F00038	MOTOR, 1/2 HP (M4)			
181	0131F00030	MOTOR, 1/2HP (M3)			
181	0131F00027	MOTOR, 1/3HP, 4SP, 6PL (M1, M2)			
181	0131F00031	MOTOR, 3/4 HP (M5, M6, M7)			
231	0163F00028	SCREW (M5, M6, M7)			
231	M0250558	TC SCREW (M1, M2, M3, M4)			
251	M0267144	MACHINE SCREW (M5, M6, M7)			
261	M0274008	FLAT WASHER (M5, M6, M7)			
281	M0282015	KEPS NUT (M5, M6, M7)			
381	0130M00140	TRANSFORMER 120V TO 24V, 40VA			
401	PCBBF140	PCB, IGNITION CONTROL			
461	0121F00464	CONTROL MOUNTING PLATE			
521	0130F00038	PRIMARY LIMIT - LT BLUE 120° (AUX) (QTY 2)			
621	B1392820	SLIT LOCK WASHER (M5, M6, M7)			
661	20520901	CAPACITOR STRAP			
NS	B1392021	1" PLASTIC PLUG (QTY 4)			
NS	0259F00024	HARNESS - BLOWER			

## Expanded Model Nomenclature

M1 - GMSS960402BNAA
M2 - GMSS960603BNAA
M3 - GMSS960803BNAA
M4 - GMSS960804CNAA
M5 - GMSS960805CNAA
M6 - GMSS961005CNAA
M7 - GMSS961205DNAA

# CHASSIS ASSEMBLY





# CHASSIS ASSEMBLY

Ref. Part No: No:	Description:	Ref. Part No: No:	Description:
-------------------	--------------	-------------------	--------------

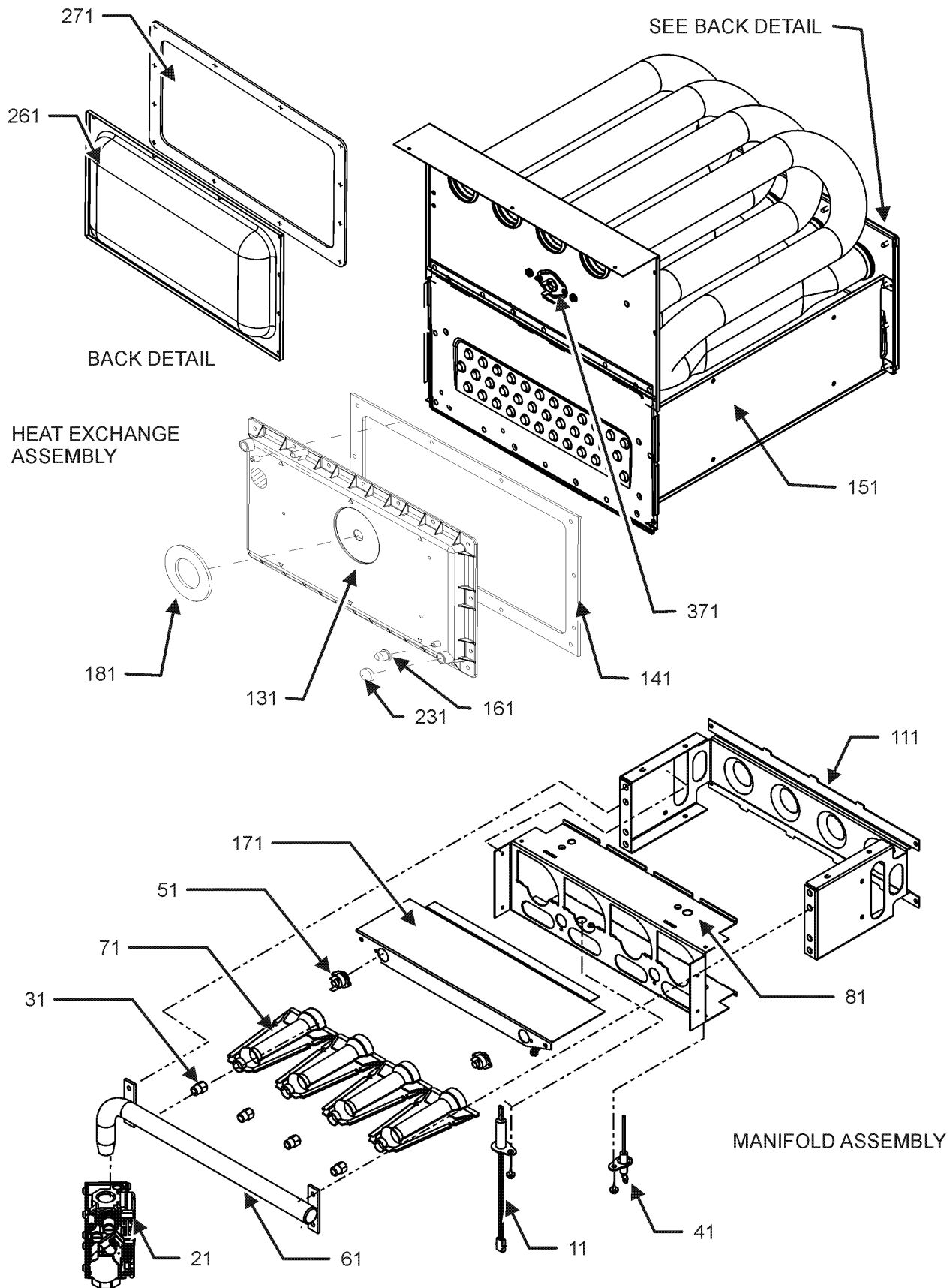
**Image 1:**

11	0121F00530DG	BASEPAN, 17.5 (M1, M2, M3)
11	0121F00531DG	BASEPAN, 21 PNT (M4, M5, M6)
11	0121F00532DG	BASEPAN, 24.5 PNT (M7)
31	0121F00533	DECK-BLOWER 17.5" (M1, M2, M3)
31	0121F00534	DECK-BLOWER 21" (M4, M5, M6)
31	0121F00535	DECK-BLOWER 24.5" (M7)
91	0160F00015	INSULATION, HT EXCHANGER 17.5" (M1, M2, M3)
91	0160F00016	INSULATION, HT EXCHANGER 21" (M4, M5, M6)
91	0160F00017	INSULATION, HT EXCHANGER 24.5" (M7)
101	0121F00314	ANGLE, DECK (M1, M2, M3)
101	0121F00315	ANGLE, DECK (M4, M5, M6)
101	0121F00316	ANGLE, DECK (M7)
111	0121F00279DG	PAINTED TOP, FURNACE 17.5 (M1, M2, M3)
111	0121F00280DG	PAINTED TOP, FURNACE 21 (M4, M5, M6)
111	0121F00281DG	PAINTED TOP, FURNACE 24.5 (M7)
121	0121F00313	SIDE ANGLE (QTY 2)
181	0159F00067	HARNESS, WIRING (M4, M5, M6, M7)
181	0159F00070	HARNESS, WIRING (M1, M2, M3)
191	0164M00015	PRESSURE SWITCH HOSE
201	0164M00008	PRESSURE SWITCH HOSE (M1, M2, M4, M5, M6, M7)
201	0164M00009	PRESSURE SWITCH HOSE (M3)
221	0130M00243	INTERLOCK SWITCH
231	0164F00002	FLUE PIPE W/BEND
241	0164F00001	ELBOW-FLUE, UPFLOW
271	0171M00001	MOTOR-ID, BLOWER
281	0161F00037	COUPLING
291	0130F00438	SWITCH, PRESSURE (M7)
291	0130F00439	SWITCH, PRESSURE (M3, M4, M5, M6)
291	0130F00440	SWITCH, PRESSURE (M2)
291	0130F00447	SWITCH, PRESSURE (M1)
311	0161F00042	JUNCTION BOX
331	0161F00043	JUNCTION BOX LID
701	M0326804	TUBE PLUG
791	0154F00015	GASKET (QTY 2)
811	0154F00014	GASKET (M1, M2, M3)
811	0154F00016	GASKET (M4, M5, M6)
811	20194607	GASKET (M7)
991	0121F00389	BRACKET, DOOR SWITCH

**Expanded Model Nomenclature**

- |                     |
|---------------------|
| M1 - GMSS960402BNAA |
| M2 - GMSS960603BNAA |
| M3 - GMSS960803BNAA |
| M4 - GMSS960804CNAA |
| M5 - GMSS960805CNAA |
| M6 - GMSS961005CNAA |
| M7 - GMSS961205DNAA |

# HEAT EXCHANGE ASSEMBLY



# HEAT EXCHANGE ASSEMBLY

Ref. Part No: No:	Description:	Ref. Part No: No:	Description:
<b>Image 1:</b>		<b>Image 1:</b>	
11	0130F00008	371	20162904
	IGNITOR-SINI 17 SEC		*PRIMARY LIMIT-TEMPERATURE CONTROL (M3, M6, M7)
21	0151M00037		*Refer to service bulletin SF-054
	GAS VALVE	371	20162903
31	10716005		PRIMARY LIMIT - BLUE (M2, M4, M5)
	ORIFICE (QTY A/R)	371	20162906
41	0130F00010		PRIMARY LIMIT - WHITE (M1)
	FLAME SENSOR	NS	0121F00439
51	0130F00123		PRIMARY LIMIT-HEAT SHIELD
	MANUAL RESET LIMIT (M5)	NS	0121F00355
51	10123539		SHIELD, COIL (QTY 2)
	MANUAL RESET LIMIT-ORANGE (M2, M4)	<b>Expanded Model Nomenclature</b>	
51	10123538	M1 - GMSS960402BNAA	
	MANUAL RESET LIMIT-TAN (M1, M3, M6)	M2 - GMSS960603BNAA	
51	10123528	M3 - GMSS960803BNAA	
	MANUAL RESET R.O.S. LIMIT (M7)	M4 - GMSS960804CNAA	
61	0163F00007	M5 - GMSS960805CNAA	
	MANIFOLD (M1)	M6 - GMSS961005CNAA	
61	0163F00008	M7 - GMSS961205DNAA	
	MANIFOLD (M2)		
61	0163F00009		
	MANIFOLD (M4, M5)		
61	0163F00010		
	MANIFOLD (M6)		
61	0163F00011		
	MANIFOLD (M7)		
61	0163F00014		
	MANIFOLD (M3)		
71	0163F00017		
	BECKETT BURNER (QTY A/R)		
81	0121F00456		
	BRACKET-BURNER 2 (M1)		
81	0121F00455		
	BRACKET-BURNER 3 (M2)		
81	0121F00454		
	BRACKET-BURNER 4 (M3, M4, M5)		
81	0121F00453		
	BRACKET-BURNER 5 (M6)		
81	0121F00451		
	BRACKET-BURNER 6 (M7)		
111	0121F00469		
	ORIFICE BRACKET-BURNER 2 (M1)		
111	0121F00468		
	ORIFICE BRACKET-BURNER 3 (M2)		
111	0121F00467		
	ORIFICE BRACKET-BURNER 4 (M3, M4, M5)		
111	0121F00466		
	ORIFICE BRACKET-BURNER 5 (M6)		
111	0121F00465		
	ORIFICE BRACKET-BURNER 6 (M7)		
131	0161F00015		
	COVER, FRONT (M1)		
131	0161F00024		
	COVER, FRONT (M3)		
131	0161F00026		
	COVER, FRONT (M6)		
131	0161F00030		
	COVER, FRONT (M4, M5)		
131	0161F00054		
	COVER, FRONT (M2)		
131	0161F00066		
	COVER, FRONT (M7)		
141	0154F00026		
	GASKET FRONT COVER (M1, M2, M3)		
141	0154F00030		
	GASKET FRONT COVER (M4, M5, M6)		
141	0154F00034		
	GASKET FRONT COVER (M7)		
151	0257F00240		
	HEAT EXCHANGER ASSY (M4, M5)		
151	0257F00257		
	HEAT EXCHANGER ASSY (M7)		
151	0257F00280		
	HEAT EXCHANGER ASSY (M6)		
151	0257F00374		
	HEAT EXCHANGER ASSY (M2)		
151	0257F00379		
	HEAT EXCHANGER ASSY (M3)		
151	0257F00384		
	HEAT EXCHANGER ASSY (M1)		
161	M0326804		
	TUBE PLUG		
171	0121F00539		
	SHEILD, BURNER (M1)		
171	0121F00540		
	SHEILD, BURNER (M2)		
171	0121F00541		
	SHEILD, BURNER (M3, M4, M5)		
171	0121F00542		
	SHEILD, BURNER (M6)		
171	0121F00543		
	SHEILD, BURNER (M7)		
181	0154F00043		
	GASKET ID BLOWER		
231	A1781105		
	CAP-VINYL .500		
261	0121F00317		
	COVER, REAR (M1, M2, M3)		
261	0121F00318		
	COVER, REAR (M4, M5, M6)		
261	0121F00319		
	COVER, REAR (M7)		
271	0154F00037		
	GASKET, REAR CVR (M1, M2, M3)		
271	0154F00038		
	GASKET, REAR CVR (M4, M5, M6)		
271	0154F00039		
	GASKET, REAR CVR (M7)		