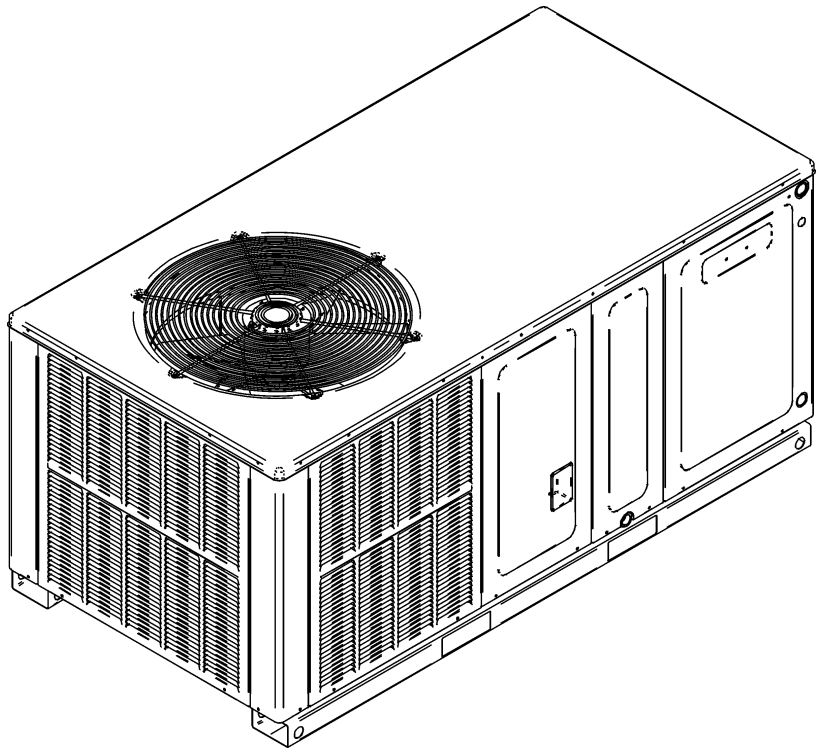


GPH16 Horizontal Package Heat Pumps

GPH1624H41AA
GPH1624H41AB
GPH1630H41AA
GPH1630H41AB
GPH1636H41AA
GPH1636H41AB
GPH1642H41AA
GPH1642H41AB
GPH1648H41AA
GPH1648H41AB
GPH1660H41AA



This manual is to be used by qualified technicians only.

This manual replaces RP-G3009A.

© 2015-2016 Goodman Manufacturing Company, L.P. ♦ 19001 Kermier Road ♦ Waller, TX 77484

Important Information

Index

Functional Parts List	3
Illustration and Parts	4 - 11

Views shown are for parts illustrations only, not servicing procedures

Text Codes:

AR - As Required

NA - Not Available

NS - Not Shown

00000000 - See Note

QTY - Quantity Example (QTY 3) (If Quantity not shown, Quantity = 1)

M - Model Example (M1) (If M Code not shown, then part is used on all Models)

Expanded Model Nomenclature:

Example M1 - Model#1 M2 - Model#2 M3 - Model#3

Goodman Manufacturing Company, L.P. is not responsible for personal injury or property damage resulting from improper service. Review all service information before beginning repairs.

Warranty service must be performed by an authorized technician, using authorized factory parts. If service is required after the warranty expires, Goodman Manufacturing Company, L.P. also recommends contacting an authorized technician and using authorized factory parts.

Goodman Manufacturing Company, L.P. reserves the right to discontinue, or change at any time, specifications or designs without notice or without incurring obligations.

For assistance within the U.S.A. contact:
Homeowner Support Department
Goodman Manufacturing Company, L.P.
19001 Kermier Road
Waller, Texas 77484
877-254-4729-Telephone
713-863-2382-Facsimile

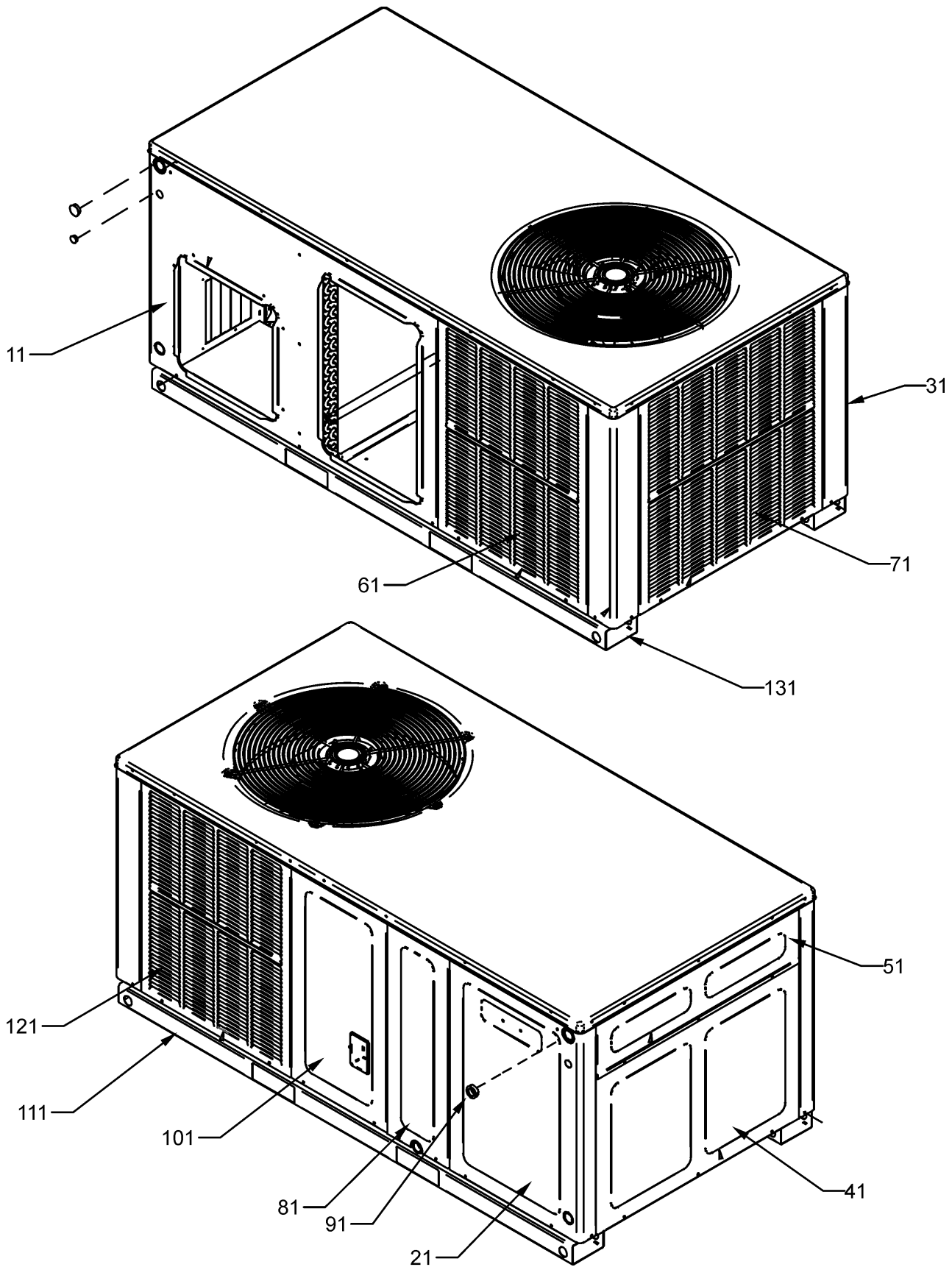
For assistance outside the U.S.A. contact:
International Division
Goodman Company, L.P.
19001 Kermier Road
Waller, Texas 77484
713-861-2500-Telephone
713-863-2382-Facsimile

Functional Parts

Part No: **Description:**

Part No:	Description:	Expanded Model Nomenclature
B1368016	BLOWER WHEEL 10 X 8 (M1, M2, M3, M4, M5, M6, M7, M8, M9, M10)	M1 - GPH1624H41AA
B1368054	BLOWER WHEEL 11 X 8 (M11)	M2 - GPH1624H41AB
CAP050300440CS	CAP,5/30MFD/440V/DUAL RD (M9, M10)	M3 - GPH1630H41AA
CAP050400440CT	CAPACITOR 5/40/440V/DUAL RD (M1, M2, M3, M4, M11)	M4 - GPH1630H41AB
CAP050450440CT	CAPACITOR 5/45/440V/DUAL RD (M5, M6, M7, M8)	M5 - GPH1636H41AA
ZPS51K5EPFV130	COMP, 51900/208/230/60/1 (M11)	M6 - GPH1636H41AB
ZP21K5EPFV130	COMPRESSOR 21300, 208/230/60/1 (M1, M2)	M7 - GPH1642H41AA
ZP25K5EPFV130	COMPRESSOR 25200, 208/230/60/1 (M3, M4)	M8 - GPH1642H41AB
ZP31K5EPFV130	COMPRESSOR 31100, 208/230/60/1 (M5, M6)	M9 - GPH1648H41AA
ZP34K5EPFV130	COMPRESSOR 34500, 208/230/60/1 (M7, M8)	M10 - GPH1648H41AB
ZPS40K5EPFV130	COMPRESSOR 41100, 208/230/60/1 (M9, M10)	M11 - GPH1660H41AA
0131M00061	COND MOTOR 1/4 HP, 1 SP, 8 PL (M5, M6)	
0131M00429	COND MOTOR 1/4 HP, 1 SP,6 PL (M7, M8, M9, M10, M11)	
0131M00009P	COND MOTOR 1/6 HP, 1 SP, 8 PL (M1, M2, M3, M4)	
CONT1P025024V	CONTACTOR 25 AMP, 1P, 24V (M1, M2, M3, M4, M5, M6)	
CONT1P030024V	CONTACTOR 30 AMP, 1P, 24V (M7, M8)	
CONT2P040024V	CONTACTOR 40 AMP, 2P, 24V (M9, M10, M11)	
0130M00101	CONTROL, DEFROST (M7, M8)	
0130M00099	CONTROL, DEFROST (M1, M2, M3, M4, M5, M6, M9, M10, M11)	
0130M00074	CUT-OUT SWITCH, HIGH PRESSURE (M1, M2, M3, M4, M5, M6, M7, M8, M9, M10)	
0130M00089	CUT-OUT SWITCH, HIGH PRESSURE (M11)	
0130M00075	CUT-OUT SWITCH, LOW PRESSURE	
PCBDM133	DEFROST CONTROL BOARD	
0150G00005	FAN BLADE (M1, M2, M3, M4)	
0150G00004	FAN BLADE (M7, M8, M9, M10, M11)	
B1086765	FAN BLADE TYPE 3 (M5, M6)	
0131M00596	PROGRAMMED MOTOR (M5, M6)	
0131M00730	PROGRAMMED MOTOR (M9, M10)	
0131M00602	PROGRAMMED MOTOR (M7, M8)	
0131M00598	PROGRAMMED MOTOR (M1, M2)	
0131M00600	PROGRAMMED MOTOR (M3, M4)	
0131M00770	PROGRAMMED MOTOR-16 SEER G (M11)	
0130M00242	RELAY, 24V (M9, M10, M11)	
0151R00069	REVERSING VALVE (M1, M2, M3, M4)	
0151R00071	REVERSING VALVE (M5, M6, M7, M8, M9, M10, M11)	
0130M00138	TRANSFORMER 208/230, 24V	

Cabinet Assembly



Cabinet Assembly

Ref. Part No: No:	Description:	Ref. Part No: No:	Description:
-------------------	--------------	-------------------	--------------

Image 1:

11	0121G00667PDG	DUCT PANEL 27.5" (M1, M2, M3, M4)
11	0121G00668PDG	DUCT PANEL 32.5" (M5, M6, M7, M8, M9, M10)
11	0121G00669PDG	DUCT PANEL 36" (M11)
21	0121G00664DG	CORNER PANEL 27.5" (M1, M2, M3, M4)
21	0121G00665DG	CORNER PANEL 32.5" (M5, M6, M7, M8, M9, M10)
21	0121G00666DG	CORNER PANEL 36" (M11)
31	0121G00047PDG	CORNER POST 27.5" (M1, M2, M3, M4)
31	0121G00048PDG	CORNER POST 32.5" (M5, M6, M7, M8, M9, M10)
31	0121G00082PDG	CORNER POST 36" (M11)
41	0121G00271DG	EXTERNAL BLOWER PANEL 27.5" (M1, M2, M3, M4)
41	0121G00272DG	EXTERNAL BLOWER PANEL 32.5" (M5, M6, M7, M8, M9, M10)
41	0121G00273DG	EXTERNAL BLOWER PANEL 36" (M11)
51	0121G00276DG	EXTERNAL CONTROL BOX PANEL
61	0121G00069PDG	LOUVERED PANEL 4 BANK 27.5" (M1, M2, M3, M4)
61	0121G00070PDG	LOUVERED PANEL 4 BANK 32.5" (M5, M6, M7, M8, M9, M10)
61	0121G00090PDG	LOUVERED PANEL 4 BANK 36" (M11)
71	0121G00072PDG	LOUVERED PANEL 5 BANK 27.5" (M1, M2, M3, M4)
71	0121G00073PDG	LOUVERED PANEL 5 BANK 32.5" (M5, M6, M7, M8, M9, M10)
71	0121G00091PDG	LOUVERED PANEL 5 BANK 36" (M11)
81	0121G00089PDG	EVAP PANEL 36" EXT RMV (M11)
81	0121G00065PDG	EVAP PANEL 8.75" X 27.5" (M1, M2, M3, M4)
81	0121G00066PDG	EVAP PANEL 8.75" X 32.5" (M5, M6, M7, M8, M9, M10)
91	B1392011	GROMMET / HS .62 - .45
101	0121G00656DG	COMPRESSOR PANEL (M11)
101	0121G00711DG	COMPRESSOR PANEL (M2, M4)
101	0121G00712DG	COMPRESSOR PANEL (M6, M8, M10)
101	0121G00059PDG	COMPRESSOR PANEL 8.75" X 27.50" (M1, M3)
101	0121G00060PDG	COMPRESSOR PANEL 8.75" X 32.50" (M5, M7, M9)
111	0121G00046P	INSULATED ASSY, BASEPAN
121	0121G00069PDG	LOUVERED PANEL 4 BANK 27.5" (M1, M2, M3, M4)
121	0121G00070PDG	LOUVERED PANEL 4 BANK 32.5" (M5, M6, M7, M8, M9, M10)
121	0121G00090PDG	LOUVERED PANEL 4 BANK 36" (M11)
131	0121G00044PRF	BASEPAN RAIL (QTY 2)

Expanded Model Nomenclature

- | |
|--------------------|
| M1 - GPH1624H41AA |
| M2 - GPH1624H41AB |
| M3 - GPH1630H41AA |
| M4 - GPH1630H41AB |
| M5 - GPH1636H41AA |
| M6 - GPH1636H41AB |
| M7 - GPH1642H41AA |
| M8 - GPH1642H41AB |
| M9 - GPH1648H41AA |
| M10 - GPH1648H41AB |
| M11 - GPH1660H41AA |

Chassis Assembly

Image 1

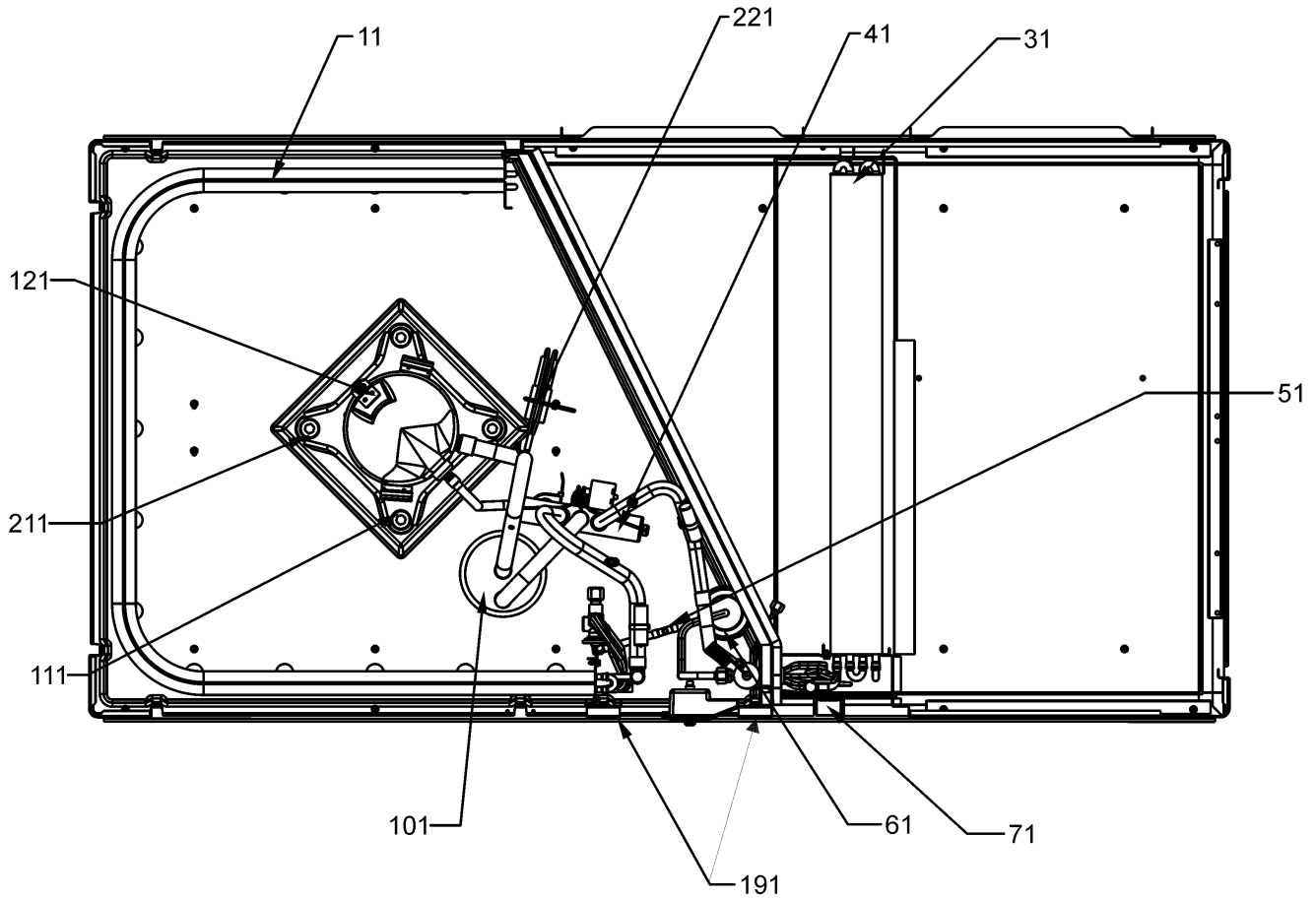


Image 2

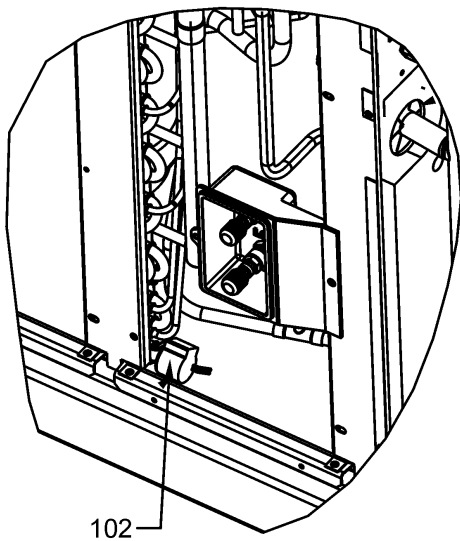
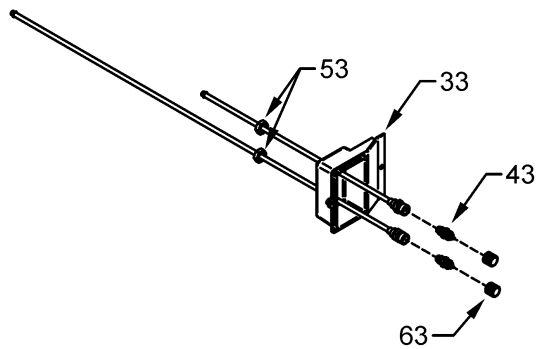


Image 3



Chassis Assembly

Ref. Part No:	Ref. Part No:	Description:	Description:
Image 1:		Expanded Model Nomenclature	
11	0201G00346	COND COIL ASSY (M1, M3)	M1 - GPH1624H41AA
11	0201G00376	COND COIL ASSY (M5, M6)	M2 - GPH1624H41AB
11	0201G00377	COND COIL ASSY (M7, M8)	M3 - GPH1630H41AA
11	0201G00380	COND COIL ASSY (M9)	M4 - GPH1630H41AB
11	0201G00422	COND COIL ASSY (M10)	M5 - GPH1636H41AA
11	0201G00423	COND COIL ASSY (M2, M4)	M6 - GPH1636H41AB
11	0201R00678	COND COIL ASSY (M11)	M7 - GPH1642H41AA
31	0202G00651	EVAP COIL ASSY (M5, M6, M7, M8)	M8 - GPH1642H41AB
31	0202G00663	EVAP COIL ASSY (M9, M10)	M9 - GPH1648H41AA
31	0202G00665	EVAP COIL ASSY (M1, M2, M3, M4)	M10 - GPH1648H41AB
31	0202G00721	EVAP COIL ASSY (M11)	M11 - GPH1660H41AA
41	0151R00069	REVERSING VALVE (M1, M2, M3, M4)	
41	0151R00071	REVERSING VALVE (M5, M6, M7, M8, M9, M10, M11)	
51	0130M00074	CUT-OUT SWITCH, HIGH PRESSURE (M1, M2, M3, M4, M5, M6, M7, M8, M9, M10)	
51	0130M00089	CUT-OUT SWITCH, HIGH PRESSURE (M11)	
61	20485201	BI-FLOW FILTER DRIER (M1, M2, M3, M4, M5, M6, M7, M8, M9, M10)	
61	B1219204	BI-FLOW FILTER DRIER (M11)	
71	0161G00000P	DRAIN PAN	
101	B1226206	ACCUMULATOR (M1, M2, M3, M4)	
101	B1226207	ACCUMULATOR .875 (M5, M6, M7, M8, M9, M10, M11)	
111	B1339533	COMPRESSOR GROMMET (QTY 4)	
121	ZPS51K5EPFV130	COMP, 51900/208/230/60/1 (M11)	
121	ZP21K5EPFV130	COMPRESSOR 21300, 208/230/60/1 (M1, M2)	
121	ZP25K5EPFV130	COMPRESSOR 25200, 208/230/60/1 (M3, M4)	
121	ZP31K5EPFV130	COMPRESSOR 31100, 208/230/60/1 (M5, M6)	
121	ZP34K5EPFV130	COMPRESSOR 34500, 208/230/60/1 (M7, M8)	
121	ZPS40K5EPFV130	COMPRESSOR 41100, 208/230/60/1 (M9, M10)	
191	0121G00045P	POST 27.5" (M1, M2, M3, M4)	
191	0121G00079P	POST 32.5" (M5, M6, M7, M8, M9, M10)	
191	0121G00083P	POST 36" (M11)	
211	M0221641	TF SHOULDER SCREW (QTY 4)	
221	0130M00075	CUT-OUT SWITCH, LOW PRESSURE	
NS	0159G00004	COMPRESSOR SCROLL HARNESS	
NS	0128G00052 N	EVAP DRIP SHIELD	
N NS	B1225022	SOLENOID COIL	
NS	0151M00050	VALVE, NXT (M9, M10, M11)	
NS	0151M00060	VALVE, TXV (M1, M2, M3, M4, M5, M6, M7, M8)	
Image 2:			
102	0130M00099	CONTROL, DEFROST (M1, M2, M3, M4, M5, M6, M9, M10, M11)	
102	0130M00101	CONTROL, DEFROST (M7, M8)	
Image 3:			
33	0161G00008	ACCESS-FITTING BOX (M1, M3, M5, M7, M9)	
43	B1373315	ACCESS FITTING (QTY 2)	
53	0163G00000P	FASTEST FITTING NUT (M1, M3, M5, M7, M9)	
63	0163M00175	CAP WITH O-RING (QTY 2)	

Top Panel / Control Box Assembly

Image 1

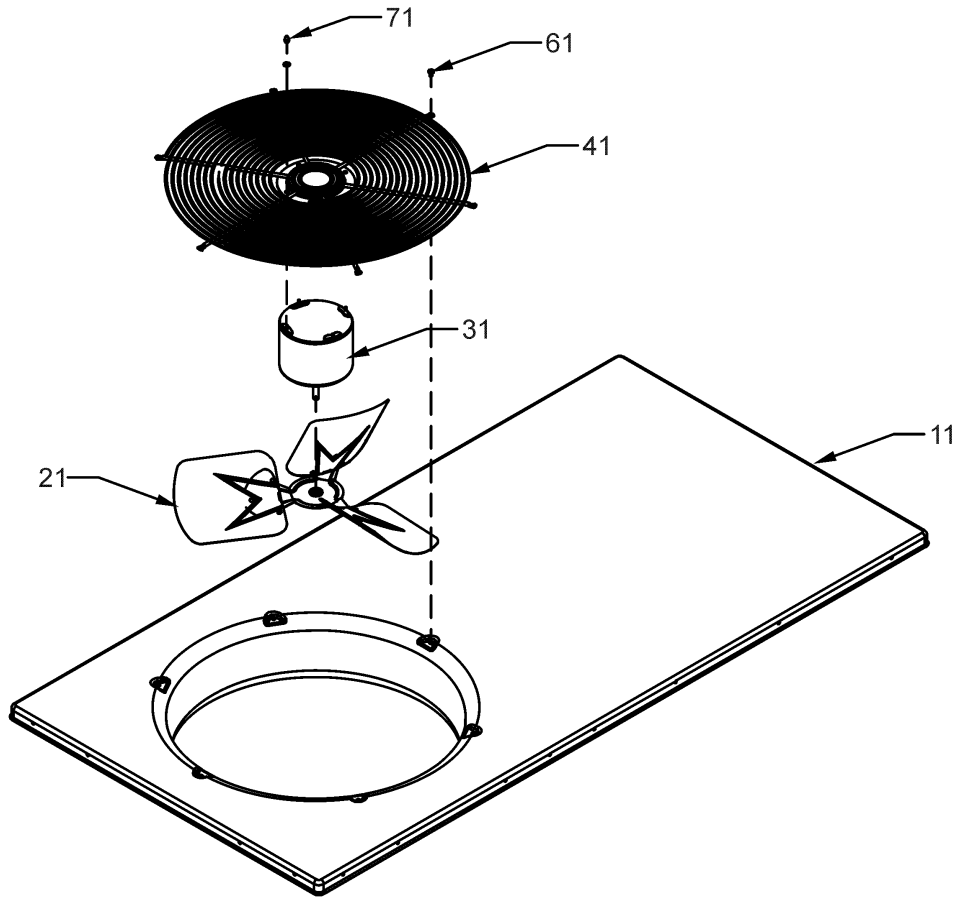
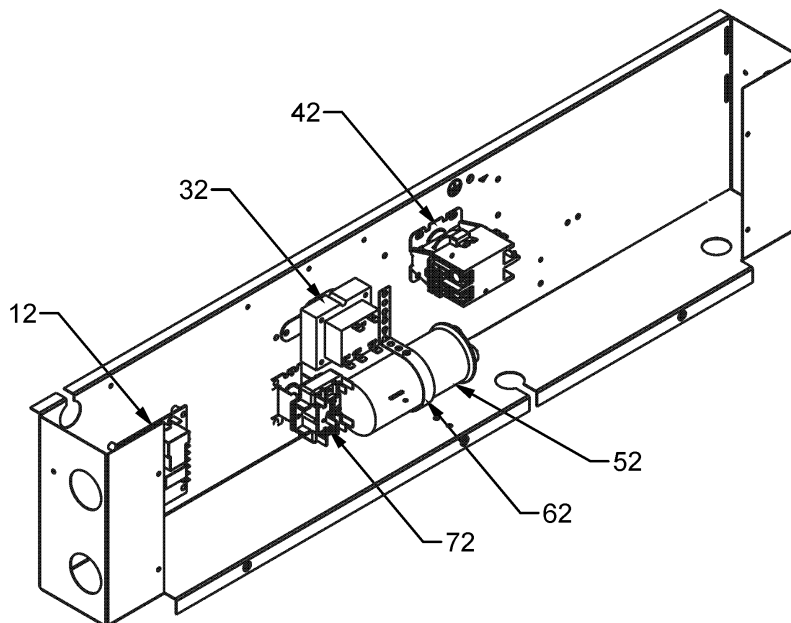


Image 2



Top Panel / Control Box Assembly

Ref. Part No: No:	Description:	Ref. Part No: No:	Description:
-------------------	--------------	-------------------	--------------

Image 1:

11	0121G00274DG	TOP PANEL PAINTED
21	0150G00004	FAN BLADE (M7, M8, M9, M10, M11)
21	0150G00005	FAN BLADE (M1, M2, M3, M4)
21	B1086765	FAN BLADE TYPE 3 (M5, M6)
31	0131M00061	COND MOTOR 1/4 HP, 1 SP, 8 PL (M5, M6)
31	0131M00429	COND MOTOR 1/4 HP, 1 SP, 6 PL (M7, M8, M9, M10, M11)
31	0131M00009P	COND MOTOR 1/6 HP, 1 SP, 8 PL (M1, M2, M3,
41	0152G00003	FAN GRILLE
61	M0221817	SMALL SCREW (M1, M2, M3, M4, M5, M6, M7, M8, M9, M10)
71	0163M00006P	ACORN NUT 5/16 HEX BLACK (QTY 4)
NS	1778800083F	PVC CONDUIT 8.25"

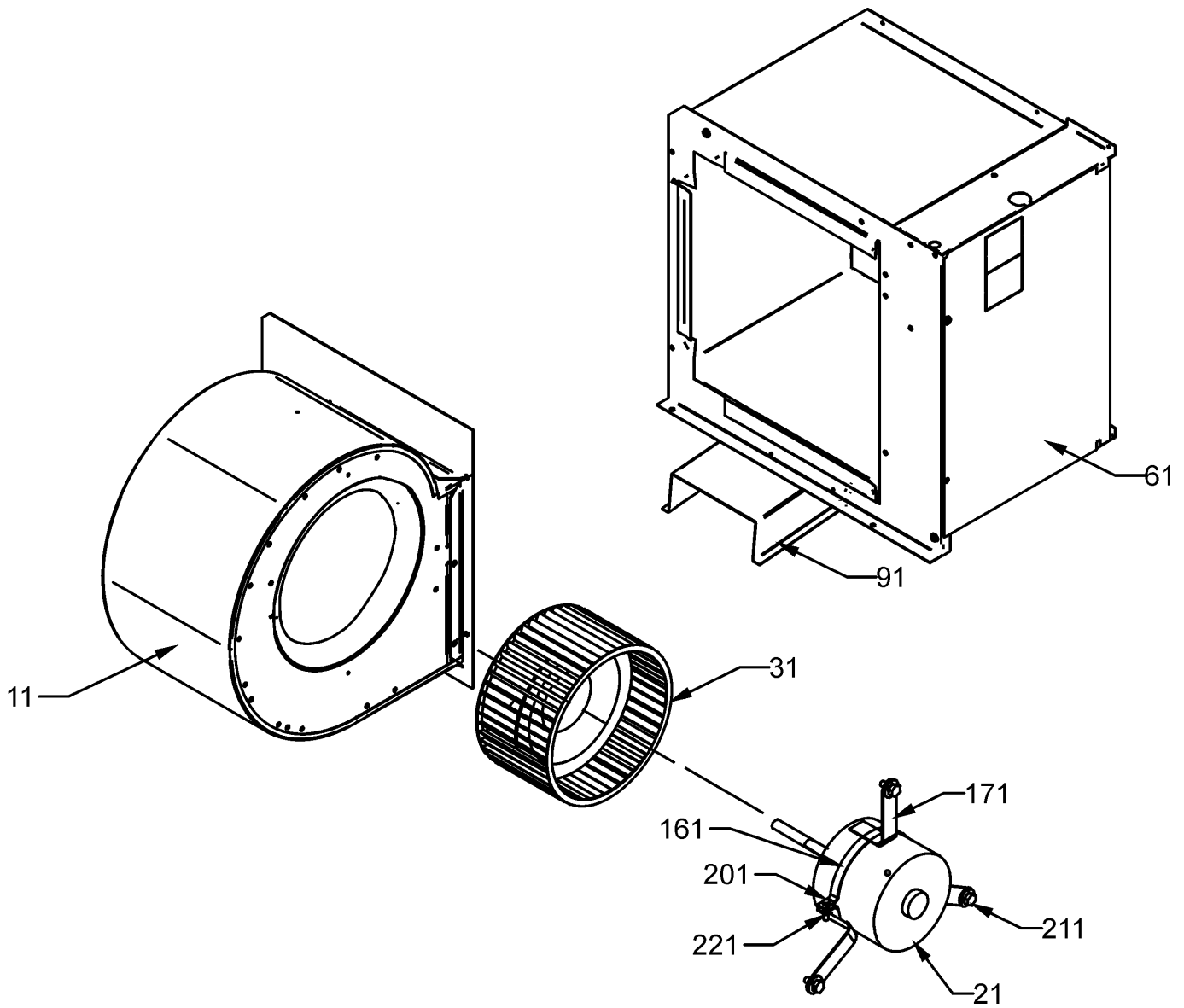
Image 2:

12	PCBDM133	DEFROST CONTROL BOARD
32	0130M00138	TRANSFORMER 208/230, 24V
42	CONT1P025024V	CONTACTOR 25 AMP, 1P, 24V (M1, M2, M3, M4, M5, M6)
42	CONT1P030024V	CONTACTOR 30 AMP, 1P, 24V (M7, M8)
42	CONT2P040024V	CONTACTOR 40 AMP, 2P, 24V (M9, M10, M11)
52	CAP050300440CS	CAP.5/30MFD/440V/DUAL RD (M9, M10)
52	CAP050400440CT	CAPACITOR 5/40/440V/DUAL RD (M1, M2, M3, M4, M11)
52	CAP050450440CT	CAPACITOR 5/45/440V/DUAL RD (M5, M6, M7, M8)
62	20520901	CAPACITOR STRAP
72	0130M00242	RELAY, 24V (M9, M10, M11)
NS	0159G00010	COMPRESSOR SOLENOID CABLE (M9, M10, M11)

Expanded Model Nomenclature

M1 - GPH1624H41AA
M2 - GPH1624H41AB
M3 - GPH1630H41AA
M4 - GPH1630H41AB
M5 - GPH1636H41AA
M6 - GPH1636H41AB
M7 - GPH1642H41AA
M8 - GPH1642H41AB
M9 - GPH1648H41AA
M10 - GPH1648H41AB
M11 - GPH1660H41AA

Blower Assembly



Blower Assembly

Ref. Part No:	No:	Description:	Ref. Part No:	No:	Description:
<i>Image 1:</i>					
11	10324248	BLOWER HOUSING 10 X 8 (M1, M2, M3, M4, M5, M6, M7, M8, M9, M10)			
21	0131M00596	PROGRAMMED MOTOR (M5, M6)			
21	0131M00598	PROGRAMMED MOTOR (M1, M2)			
21	0131M00600	PROGRAMMED MOTOR (M3, M4)			
21	0131M00602	PROGRAMMED MOTOR (M7, M8)			
21	0131M00730	PROGRAMMED MOTOR (M9, M10)			
21	0131M00770	PROGRAMMED MOTOR-16 SEER G (M11)			
31	B1368016	BLOWER WHEEL 10 X 8 (M1, M2, M3, M4, M5, M6, M7, M8, M9, M10)			
31	B1368054	BLOWER WHEEL 11 X 8 (M11)			
61	0121G00039P	HEATER KIT COVER			
91	0121G00040P	BLOWER SUPPORT			
161	0121M00038	MOTOR MOUNT BAND			
171	B1376853	MOTOR MOUNT ARM (M1, M2, M3, M4, M5, M6, M7, M8, M9, M10)			
171	B1376857	MOTOR MOUNT ARM (M11)			
201	B1393800	LOCKNUT, NYLON, INSERT 1/4, 20			
211	M0250565	TC SCREW 1.25" (QTY 3)			
221	B1393323	MACHINE SCREW HWH 1/4-20 X 1-1/2 BZ			
NS	C6121810	BLOWER CUT-OFF (M1, M2, M3, M4, M5, M6, M7, M8, M9, M10)			
NS	2964700	BLOWER CUT-OFF 11 X 8 (M11)			

Expanded Model Nomenclature

- | |
|--------------------|
| M1 - GPH1624H41AA |
| M2 - GPH1624H41AB |
| M3 - GPH1630H41AA |
| M4 - GPH1630H41AB |
| M5 - GPH1636H41AA |
| M6 - GPH1636H41AB |
| M7 - GPH1642H41AA |
| M8 - GPH1642H41AB |
| M9 - GPH1648H41AA |
| M10 - GPH1648H41AB |
| M11 - GPH1660H41AA |