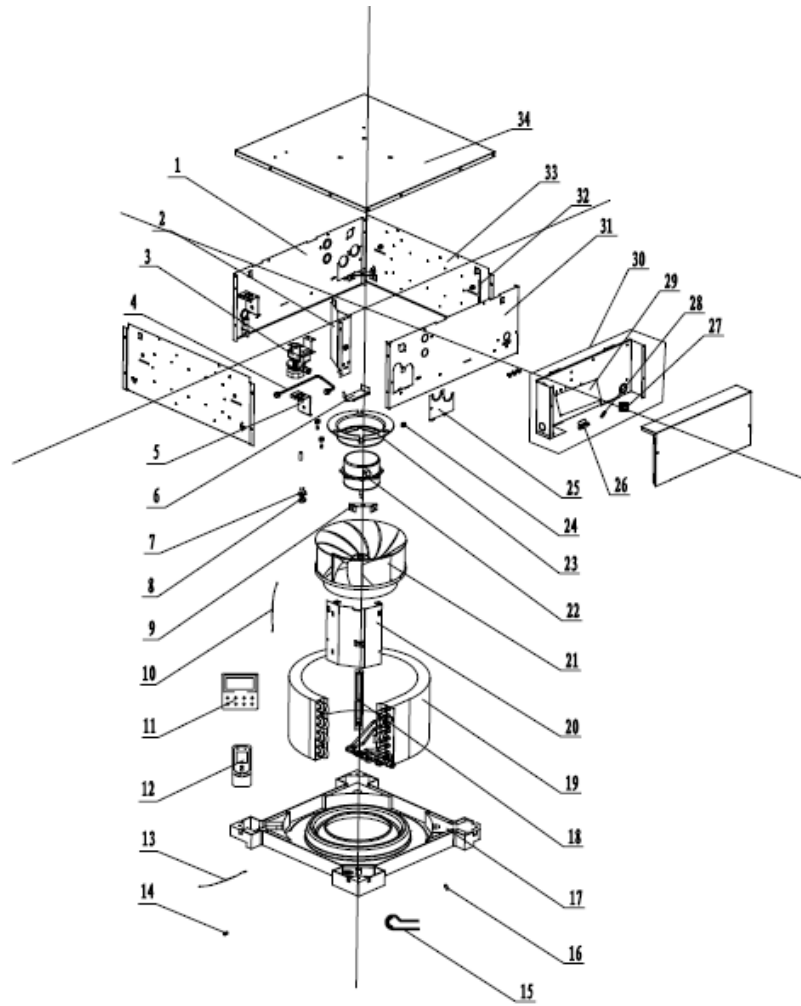


CEILING CASSETTE Replacement Parts Catalog



Models:

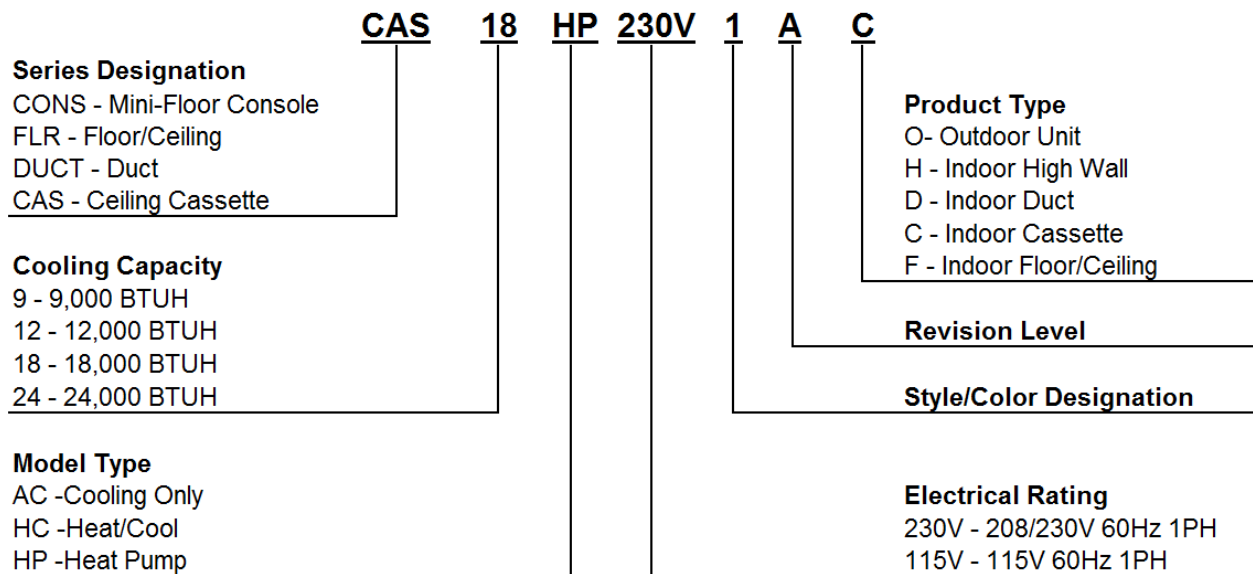
- CAS12HP230V1AC
- CAS18HP230V1AC
- CAS24HP230V1AC

Table of Contents

Model Number	Description	Page
Nomenclature	Part Number Nomenclature Chart	2
CAS12HP230V1AC	12,000 BTUH 230v Ceiling Cassette Unit	3
CAS18HP230V1AC	18,000 BTUH 230v Ceiling Cassette Unit	7
CAS24HP230V1AC	24,000 BTUH 230v Ceiling Cassette Unit	11

Product Catalog Number-Nomenclature

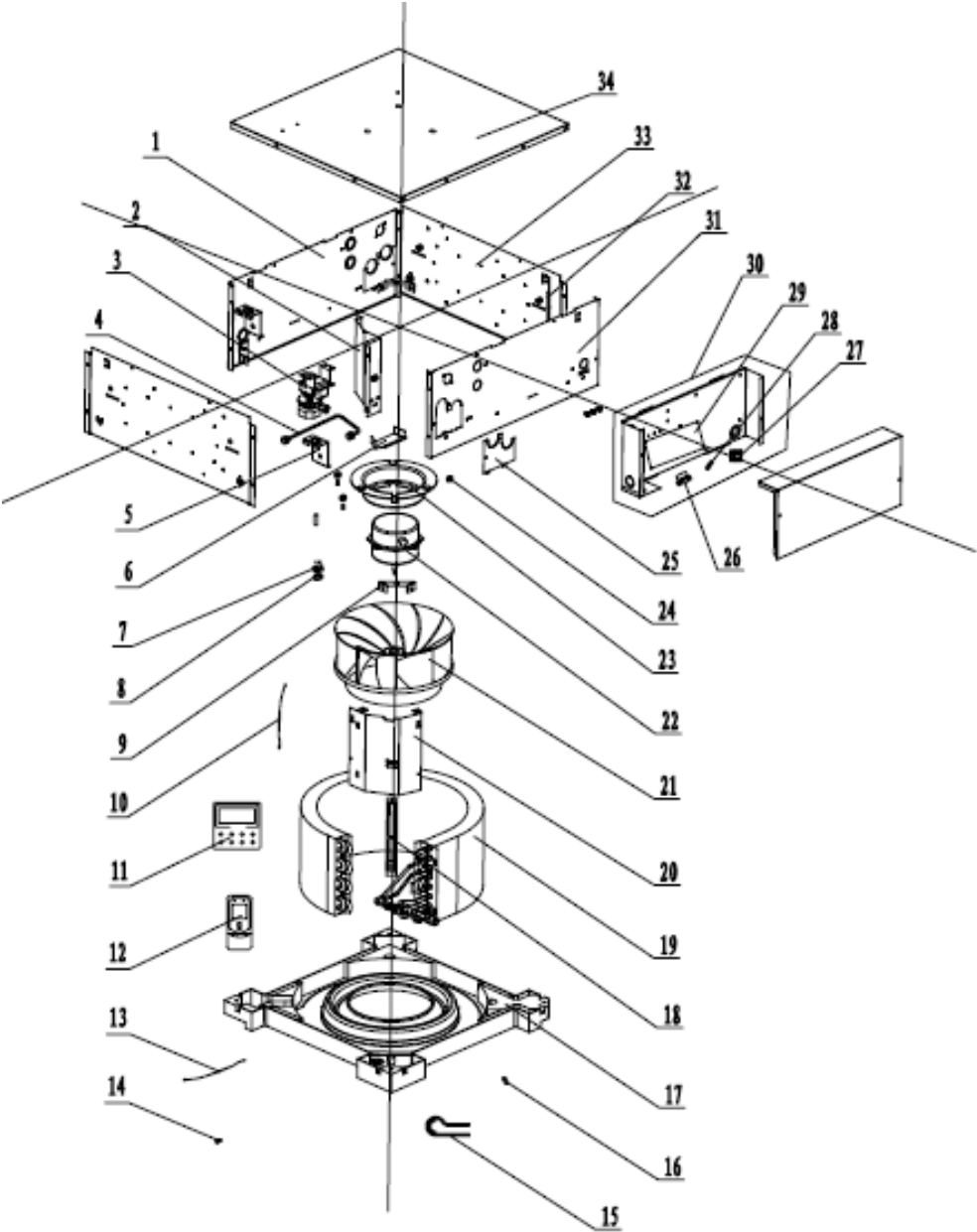
Example: **CAS18HP230V1AC**



CAS12HP230V1AC

12,000 BTUH 230v Ceiling Cassette

Main Body Assembly



CAS12HP230V1AC

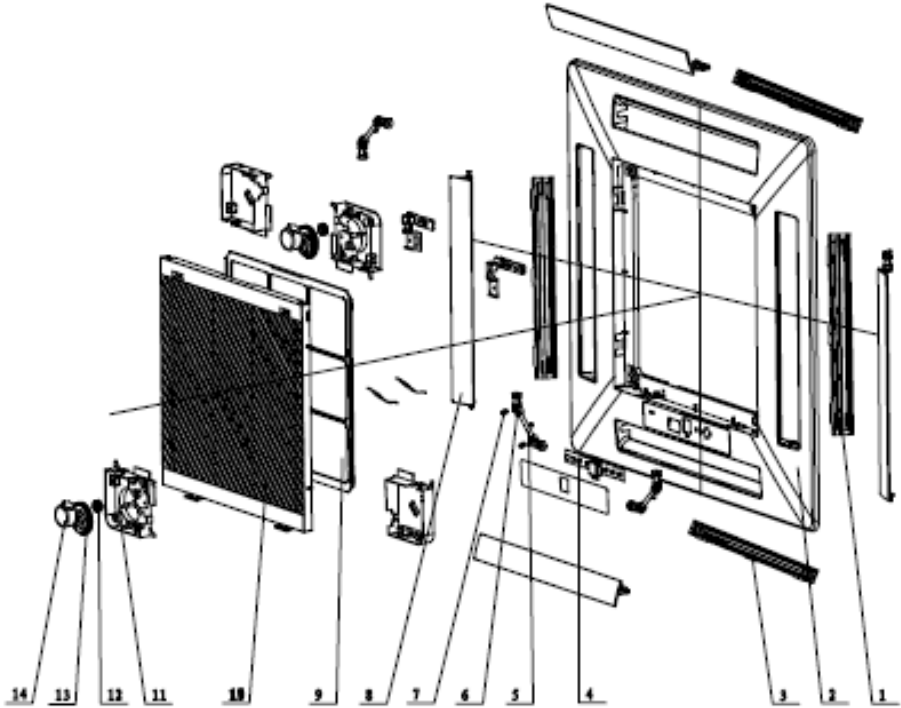
12,000 BTUH 230v Ceiling Cassette

Main Body Assembly

NO.	Part Code	Part Description	Qty
1	01302741	Front Side Plate	1
2	01362704	Right Baffle Assy	1
3	43130320	Water Pump	1
4	05232722	Water Pump Drain pipe	1
5	01332705	Body Mounting Bracket	4
6	01332708	Pump Support Assy	1
7	24212705	Water Level Switch Support	1
8	450127011	Water Level Switch	1
9	01332706	Water Tray Support	4
10	390001982G	Temperature Sensor	1
11	30296317	Display Board	1
12	305100491	Remote Controller	1
Not Shown	MC20700140	Wired Tether Controller	1
13	3900019813	Ambient Temperature Sensor	1
14	none	Filter Sub-Assy	0
15	71010105	Clamp	1
16	none	Filter Sub-Assy	0
17	20182704	Water Tray Assy	1
18	01072714	Evaporator Support	1
19	01024307	Evaporator Coil Assy	1
20	01072713	Evaporator Connection Board	1
21	10312702	Centrifugal Fan	1
22	1570411401	Fan Motor	1
23	01702702	Motor Support	1
24	76712705	Motor Gasket	3
25	01382719	Tube Exit Plate Assy	1
26	43110257	Transformer	1
27	420111041	Terminal Board	1
28	33010089	Capacitor CBB61	1
29	30226354	Main Control Board	1
30	01399536	Electric Box Assy	1
31	01314211	Front Side Plate	1
32	01362701	Pass Wire Plate	1
33	01302743	Right Side Plate Sub-Assy	2
34	0122271201	Seat Board Sub-Assy	1

CAS12HP230V1AC – (CONT.)
12,000 BTUH 230v Ceiling Cassette

Decorative Grille Assembly



CAS12HP230V1AC – (CONT.)
12,000 BTUH 230v Ceiling Cassette

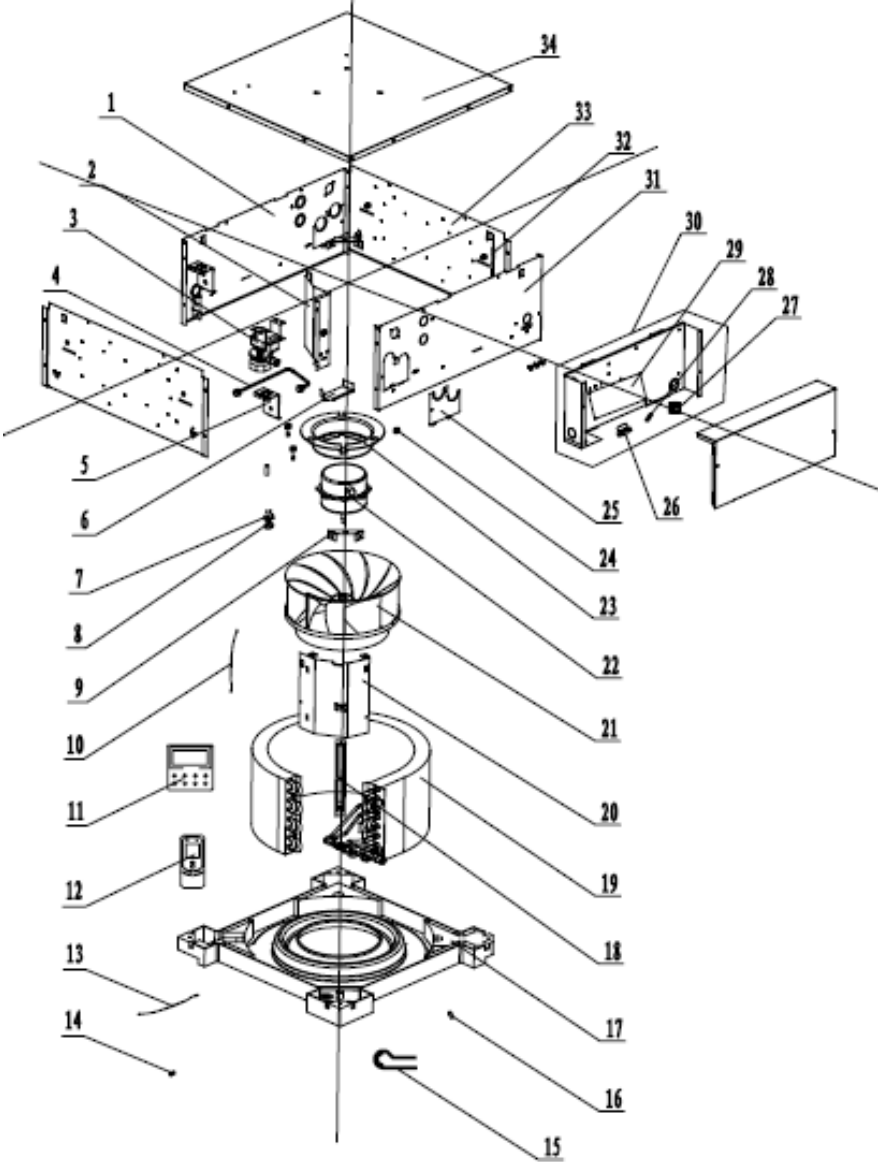
Decorative Grille Assembly

NO.	Part Code	Part Description	Qty
1	12312704	Outlet Air Foam Seal	4
2	20002704	Front Panel	1
3	12312705	Outlet Air Foam Seal	4
4	30261001	Receiver Board	1
5	10582704	Connecting Rod	2
6	10562704	Gimbal Pivoted Support	4
7	10562703	Universal Joint	8
8	10512702	Guide Louver	4
9	11122703	Air Filter	1
10	22412706	Front Grille Assy	1
11	22242715	Inner Panel Cover 1	1
12	73012701	Small Gear	1
13	73012702	Larger Gear	1
14	15210104	Stepper Motor	1

CAS18HP230V1AC

18,000 BTUH 230v Ceiling Cassette

Main Body Assembly

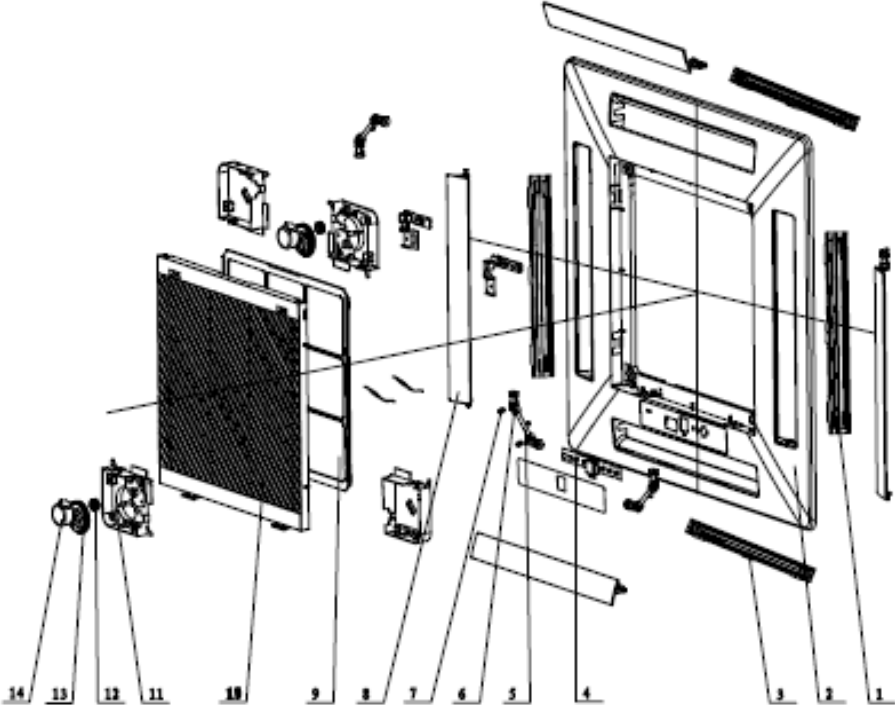


CAS18HP230V1AC
18,000 BTUH 230v Ceiling Cassette
Main Body Assembly

NO.	Part Code	Part Description	Qty
1	01302741	Front Side Plate	1
2	01362704	Right Baffle Assy	1
3	43130320	Water Pump	1
4	05232722	Water Pump Drain pipe	1
5	01332705	Body Mounting Bracket	4
6	24212705	Water Level Switch Support	1
7	01332708	Water Pump Support Assy	1
8	450127011	Water Level Switch	1
9	01332706	Water Tray Support	4
10	390001982G	Temperature Sensor	1
11	30296317	Display Board	1
12	305100491	Remote Controller	1
Not Shown	MC20700140	Wired Tether Controller	1
13	3900019813	Ambient Temperature Sensor	1
14	none	Filter Sub-Assy	0
15	71010105	Clamp	1
16	none	Filter Sub-Assy	0
17	20182704	Water Tray Assy	1
18	01072714	Evaporator Support	1
19	0102430701	Evaporator Coil Assy	1
20	01072713	Evaporator Connection Board	1
21	10312702	Centrifugal Fan	1
22	1570411401	Fan Motor	1
23	01702702	Motor Support	1
24	76712705	Motor Gasket	3
25	01382719	Tube Exit Plate Assy	1
26	43110257	Transformer	1
27	420111041	Terminal Board	1
28	33010089	Capacitor CBB61	1
29	30226354	Main Control Board	1
30	01399536	Electric Box Assy	1
31	01314211	Front Side Plate	1
32	01362701	Pass Wire Plate	1
33	01302743	Right Side Plate Sub-Assy	2
34	0122271201	Seat Board Sub-Assy	1

CAS18HP230V1AC – (CONT.)
18,000 BTUH 230v Ceiling Cassette

Decorative Grille Assembly



CAS18HP230V1AC – (CONT.)
18,000 BTUH 230v Ceiling Cassette

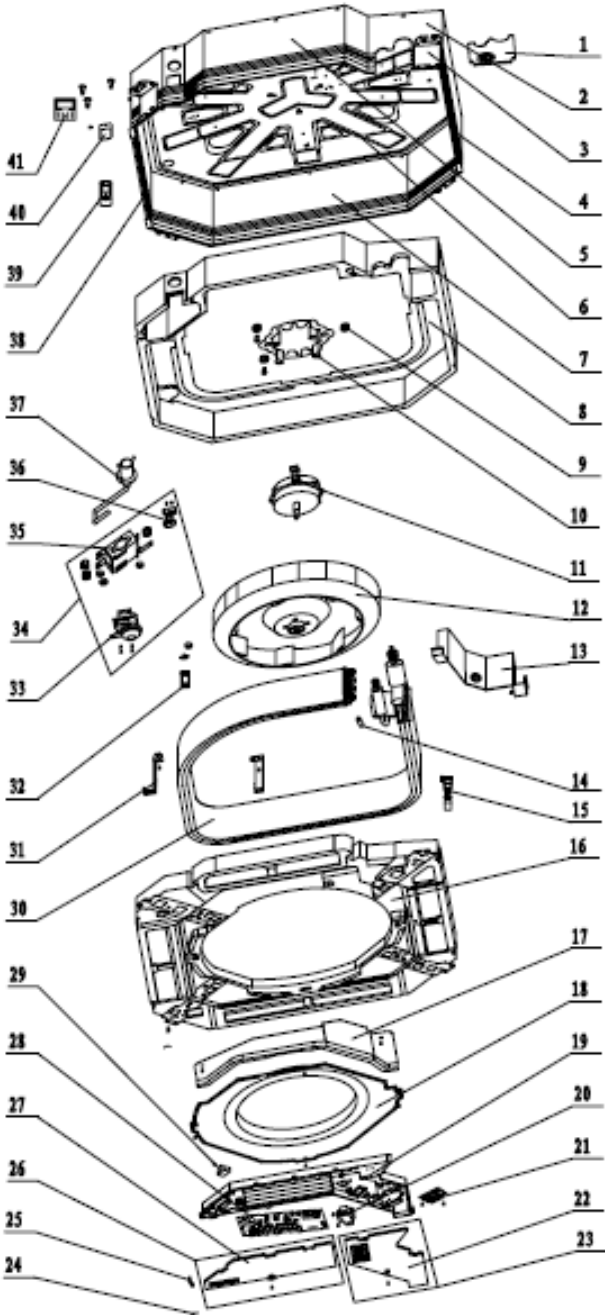
Decorative Grille Assembly

NO.	Part Code	Part Description	Qty
1	12312704	Outlet Air Foam Seal	4
2	20002704	Front Panel	1
3	12312705	Outlet Air Foam Seal	4
4	30261001	Receiver Board	1
5	10582704	Connecting Rod	2
6	10562704	Gimbal Pivoted Support	4
7	10562703	Universal Joint	8
8	10512702	Guide Louver	4
9	11122703	Air Filter	1
10	22412706	Front Grille Assy	1
11	22242715	Inner Panel Cover 1	1
12	73012701	Small Gear	1
13	73012702	Larger Gear	1
14	15210104	Stepper Motor	1

CAS24HP230V1AC

24,000 BTUH 230v Ceiling Cassette

Main Body Assembly

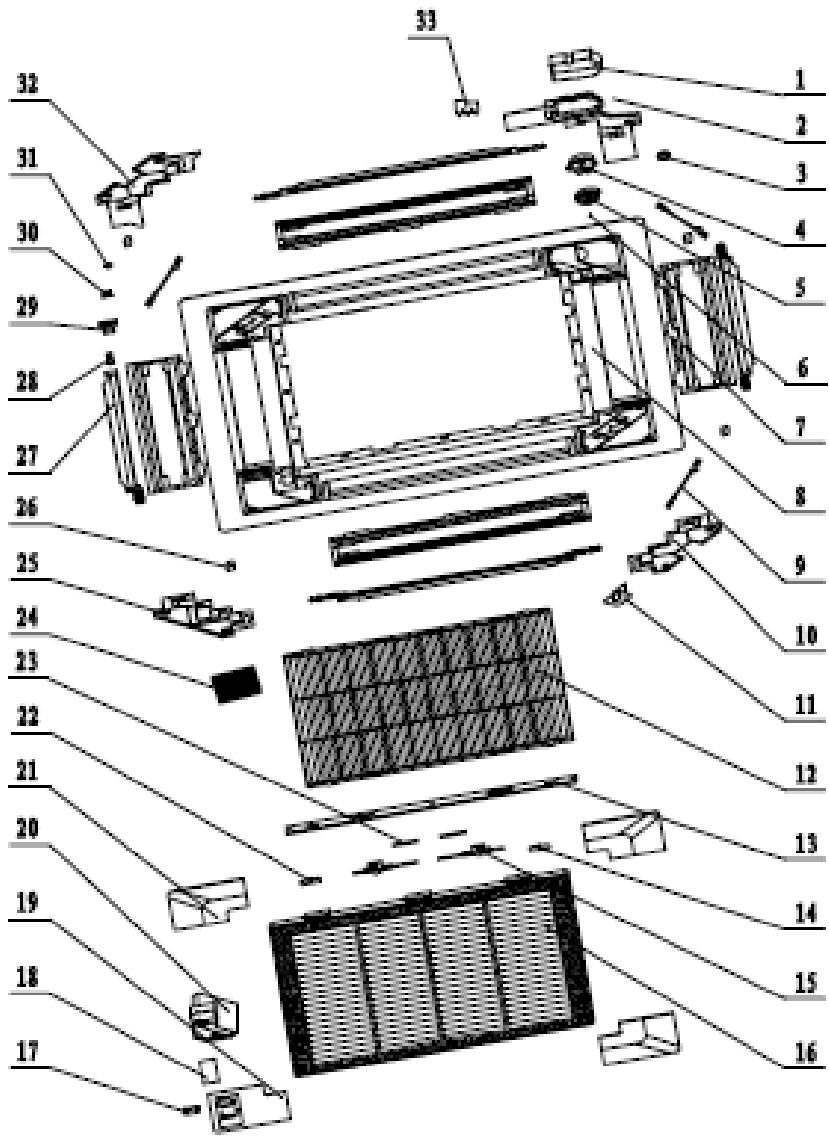


CAS24HP230V1AC
24,000 BTUH 230v Ceiling Cassette
Main Body Assembly

NO.	Part Code	Part Description	Qty
1	0138271502	Tube Exit Plate Assy	1
2	01432704	Main Body Casing Assy	1
3	01332701	Body Mounting Bracket	4
4	01302718	Front Side Plate Assy	1
5	01302715	Left Side Plate Assy	1
6	01222701	Base Plate Assy	1
7	01302714	Rear Side Plate Assy	1
8	52012722	Bottom Foam Assy	1
9	76712711	Motor Gasket	4
10	01702701	Motor Support	1
11	15704102	Fan Motor	1
12	10312705	Centrifugal Fan	1
13	01074042	Evaporator Connection Board Assy	1
15	05232702	Drain Hose Sub-Assy	1
16	20182701	Water Tray Assy	1
17	01412721	Electric Base Plate	1
18	10372701	Diversion Circle	1
19	01399400006	Electric Box Assy	1
20	4311023303	Transformer	1
21	42010196	Terminal Board	1
22	20102702	Electric Box Cover	1
23	20122054	Electric Box Cover Sub-Assy1	1
24	390001982G	Temperature Sensor	1
25	390001977	Ambient Temperature Sensor	1
26	20122055	Electric Box Cover Sub-Assy 2	1
27	20102703	Cover of Electric Box 2	1
28	30226340	Main Control Board	1
29	33010027	Capacitor CBB61	1
30	01029400012	Evaporator Coil Assy	1
31	01072703	Evaporator Support Assy	2
33	43130324	Water Pump	1
34	01332752	Water Pump Assy	1
35	01329416	Water Pump Support	1
36	45020216	Water Level Switch	1
37	05230026	Water Pump Drain pipe	1
38	01302716	Right Side Plate Assy	1
39	305100491	Remote Controller	1
Not Shown	MC20700140	Wired Tether Controller	1
40	01252713	Water Pump Cover Board Assy	1
41	30296317	Display Board	1

CAS24HP230V1AC – (CONT.)
24,000 BTUH 230v Ceiling Cassette

Decorative Grille Assembly



CAS24HP230V1AC – (CONT.)
24,000 BTUH 230v Ceiling Cassette

Decorative Grille Assembly

NO.	Part Code	Part Description	Qty
1	22242701	Motor Cover	1
2	22242705	Inner Panel Cover 4	1
3	49010104	Magnetic Ring	1
4	15212701	Synchronous Motor	1
5	26152702	Motor Holder	1
6	70410603	Pin 3X14	1
7	12312701	Air Outlet Foam	4
8	20002702	Front Panel Assy	1
9	10582701	Connecting Rod	1
10	22242704	Inner Panel Cover 3	1
11	70810101	Hanging Ring	4
12	11122701	Air Filter	1
13	01722721	Hook Attachment Bracket	1
14	26252703	Net Hook	2
15	26252702	Right Clamp	1
16	2241270203	Front Grille	1
17	22432702	Receiving Window	1
18	30041001	Receiver Board	1
19	22242714	Outer Panel Cover 2 Assy	1
20	22242708	Cover of Receiver	1
21	22242706	Outer Panel Cover 1	1
22	26252701	Left Clip	1
23	73010011	Spring	2
24	none	Air Cleaner	0
25	22242703	Inner Panel Cover 2	1
26	70840001	Magnet	4
27	10512107	Guide Louver	1
28	10542701	Crank	8
29	26152701	Position Holder	8
30	10562702	Universal Joint	8
31	10562012	Gimbal Pivoted Support	1
32	22242702	Inner Panel Cover 1	1
33	45010054	Jog/Inching Switch	1

