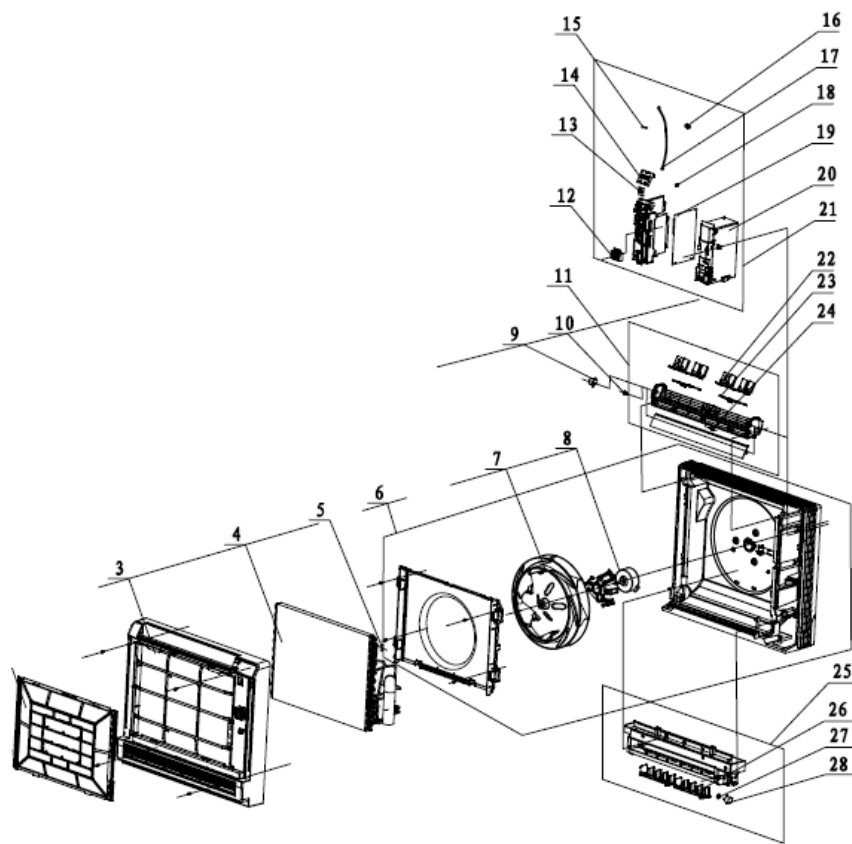


Mini-Floor Console Replacement Parts Catalog



Models:

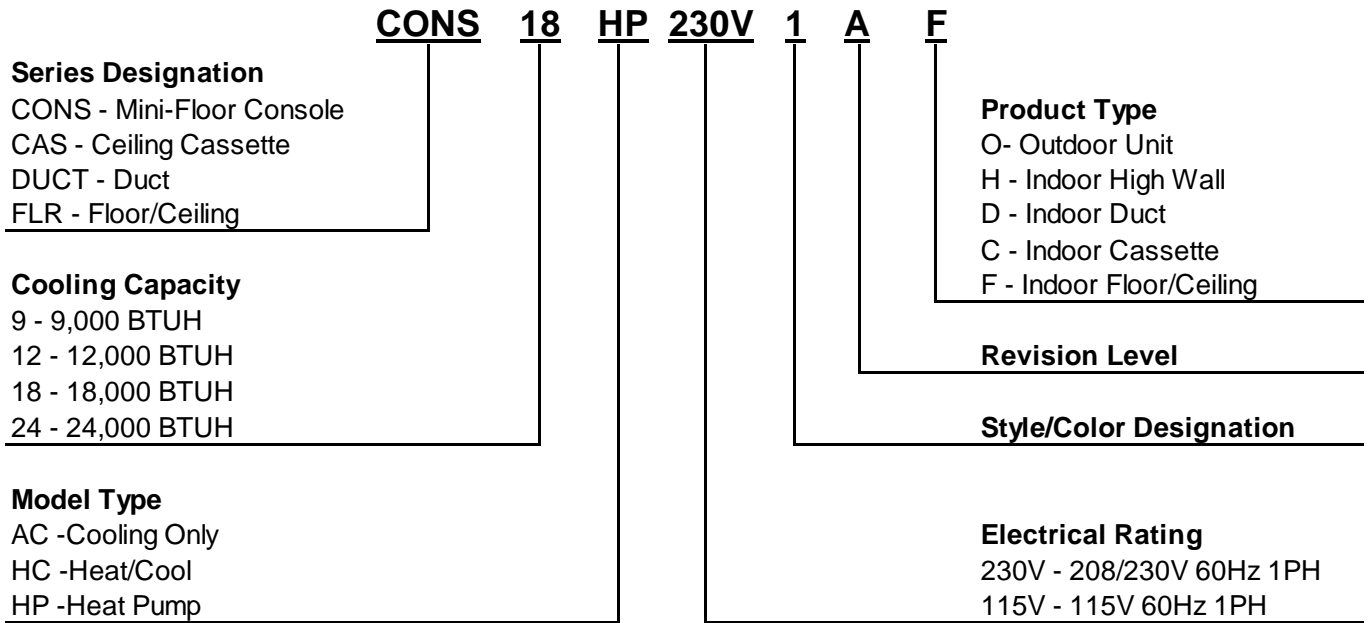
CONS09HP230V1AF
CONS12HP230V1AF
CONS18HP230V1AF

Table of Contents

Model Number	Description	Page
Nomenclature	Part Number Nomenclature Chart	2
CONS09HP230V1AF	9,000 BTUH 230v Mini-Floor Console Unit	3
CONS12HP230V1AF	12,000 BTUH 230v Mini-Floor Console Unit	5
CONS18HP230V1AF	18,000 BTUH 230v Mini-Floor Console Unit	7

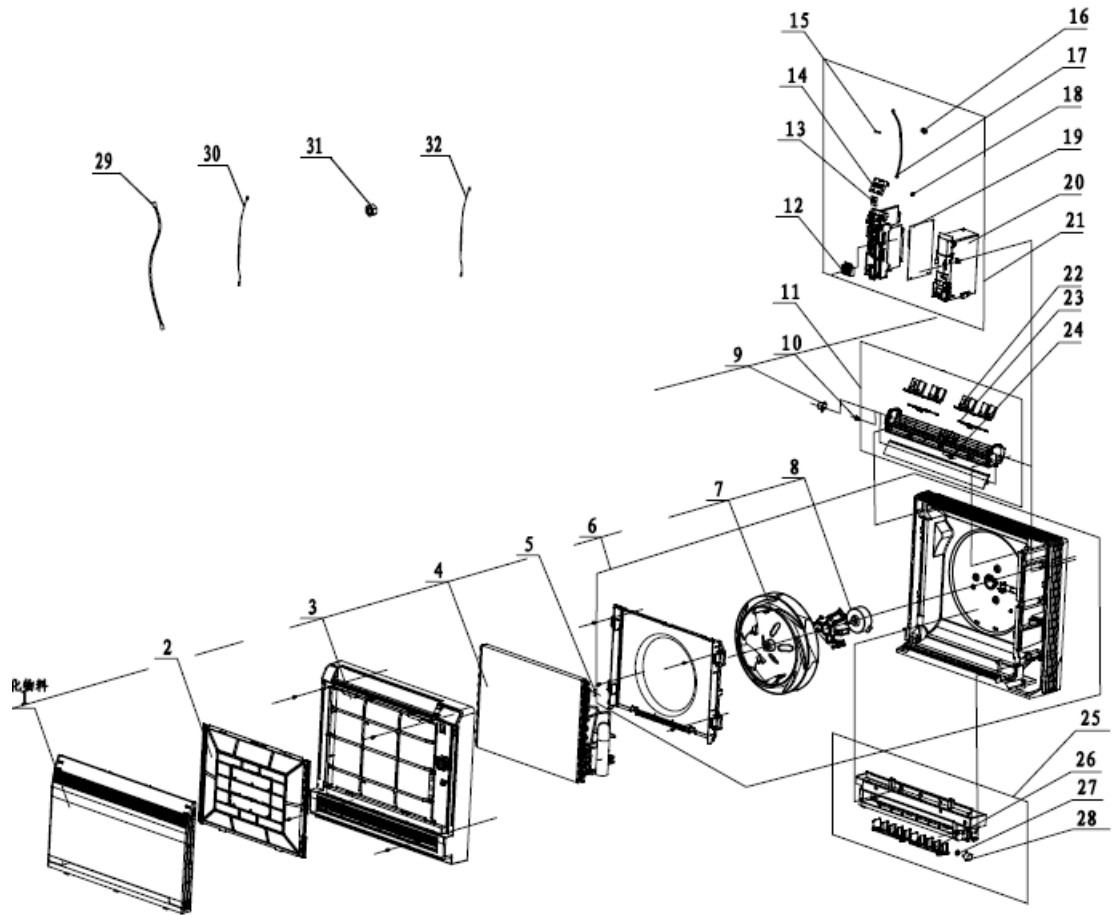
Product Catalog Number-Nomenclature

Example: **CONS18HP230V1AF**



CONS09HP230V1AF

9,000 BTUH 230v Mini-Floor Console



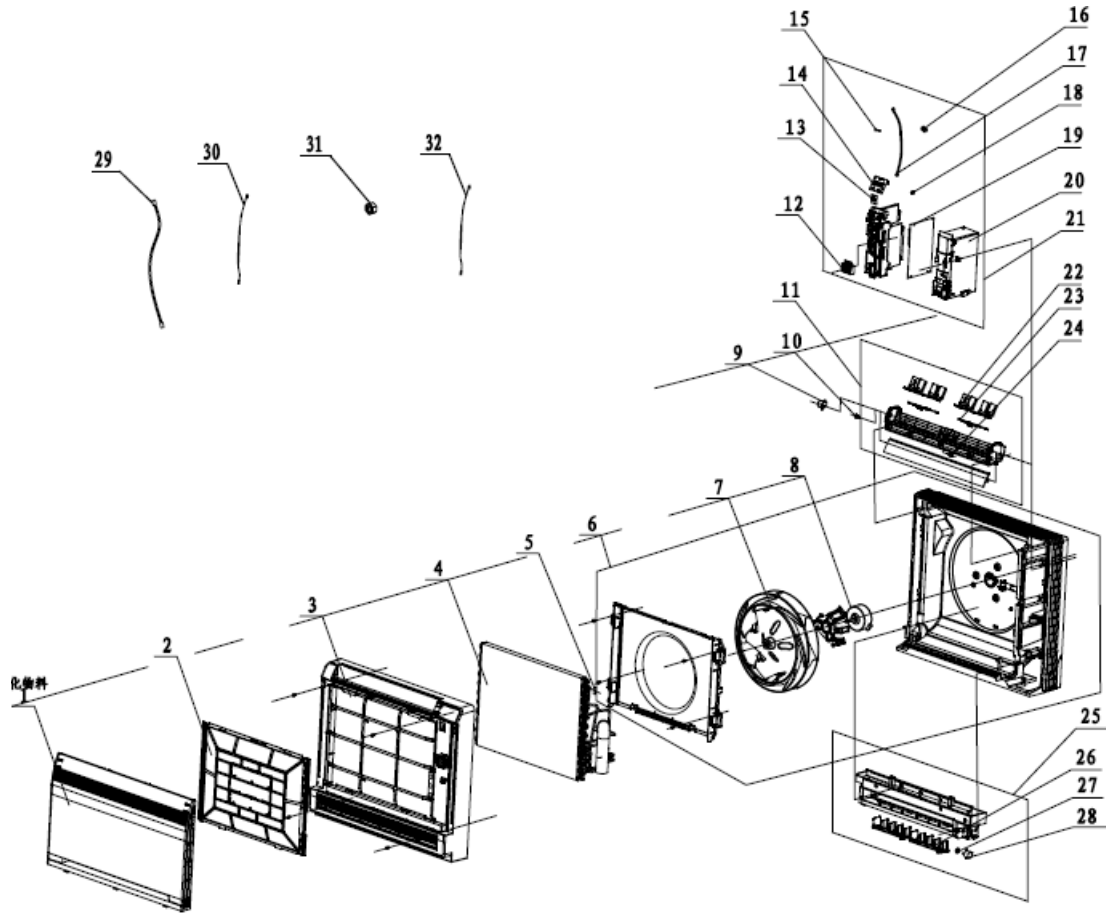
CONS09HP230V1AF

9,000 BTUH 230v Mini-Floor Console

NO.	Part Code	Part Description	Qty
1	20012756	Front Panel Assy	1
2	11122139	Air Filter	1
3	20012601	Front Case Assy	1
4	01002637	Evaporator Coil Assy	1
5	05212423	Temp Sensor Sleeve	1
6	22202462	Rear Case Assy	1
7	10312005	Centrifugal Fan	1
8	15012123	Fan Motor	1
9	1521210805	Stepper Motor	1
10	73012005	Crank	1
12	42011233	Terminal Board	1
13	30112007	Switch Board	1
14	30568131	Display Board	1
15	46010055	Fuse	1
16	49010252	Heat Sink/Radiator	1
17	4003004202	Signal Wire	1
18	4202300101	Configuration Jumper	1
19	30138613	Main Control Board	1
20	20112116	Electric Box	1
21	2020262201	Electric Box Assy	1
22	10512143	Air Louver (upper)	2
23	10582096	Swing Lever	2
24	10542020	Guide Louver Shaft	2
25	20182141	Condensate Water Tray Assy	1
26	10512144	Air Louver (lower)	2
27	10542034	Axis (lower stepper motor)	1
28	1521210101	Stepper Motor	1
29	none	Connecting Cable	0
30	390000591	Ambient Temperature Sensor	1
32	3900004508	Temperature Sensor	1

CONS12HP230V1AF

12,000 BTUH 230v Mini-Floor Console



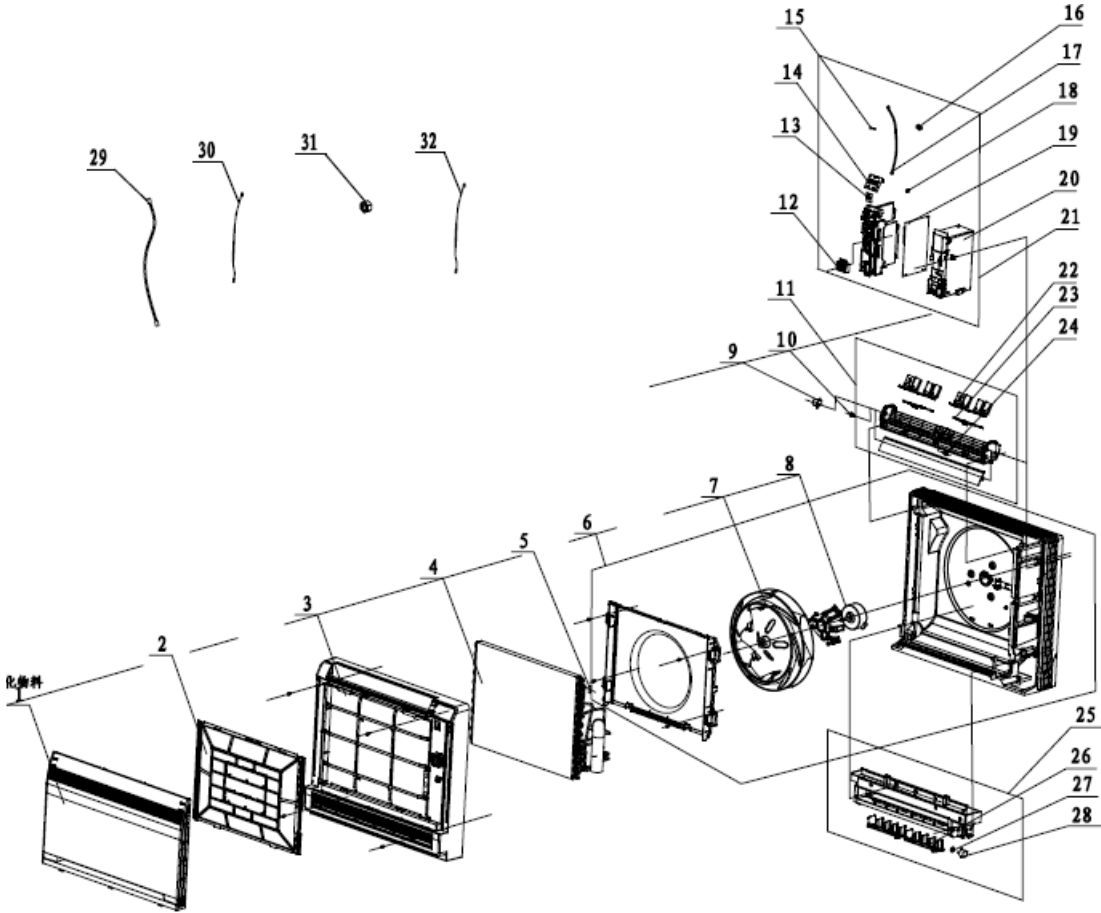
CONS12HP230V1AF

12,000 BTUH 230v Mini-Floor Console

NO.	Part Code	Part Description	Qty
1	20012756	Front Panel Assy	1
2	11122139	Air Filter	1
3	20012601	Front Case Assy	1
4	01002333	Evaporator Coil Assy	1
5	05212423	Temp Sensor Sleeve	1
6	22202462	Rear Case Assy	1
7	10312005	Centrifugal Fan	1
8	15012123	Fan Motor	1
9	1521210805	Stepper Motor	1
10	73012005	Crank	1
11	none	Swing Assy	0
12	42011233	Terminal Board	1
13	30112007	Switch Board	1
14	30568131	Display Board	1
15	46010055	Fuse	1
16	49010252	Heat Sink/Radiator	1
17	4003004202	Signal Wire	1
18	4202300102	Configuration Jumper	1
19	30138613	Main Control Board	1
20	20112116	Electric Box	1
21	2020262101	Electric Box Assy	1
22	10512143	Air Louver (upper)	2
23	10582096	Swing Lever	2
24	10542020	Guide Louver Shaft	2
25	20182141	Condensate Water Tray Assy	1
26	10512144	Air Louver (lower)	2
27	10542034	Axis (lower stepper motor)	1
28	1521210101	Stepper Motor	1
29	none	Connecting Cable	0
30	390000591	Ambient Temperature Sensor	1
32	3900004508	Temperature Sensor	1

CONS18HP230V1AF

18,000 BTUH 230v Mini-Floor Console



CONS18HP230V1AF

18,000 BTUH 230v Mini-Floor Console

NO.	Part Code	Part Description	Qty
1	20012756	Front Panel Assy	1
2	11122139	Air Filter	1
3	20012601	Front Case Assy	1
4	01002332	Evaporator Coil Assy	1
5	05212423	Temp Sensor Sleeve	1
6	22202462	Rear Case Assy	1
7	10312005	Centrifugal Fan	1
8	15012123	Fan Motor	1
9	1521210805	Stepper Motor	1
10	73012005	Crank	1
11	none	Swing Assy	0
12	42011233	Terminal Board	1
13	30112007	Switch Board	1
14	30568131	Display Board	1
15	46010055	Fuse	1
16	49010252	Heat Sink/Radiator	1
17	4003004202	Signal Wire	1
18	4202300103	Configuration Jumper	1
19	30138613	Main Control Board	1
20	20112116	Electric Box	1
21	2020242301	Electric Box Assy	1
22	10512143	Air Louver (upper)	2
23	10582096	Swing Lever	2
24	10542020	Guide Louver Shaft	2
25	20182141	Condensate Water Tray Assy	1
26	10512144	Air Louver (lower)	2
27	10542034	Axis (lower stepper motor)	1
28	1521210101	Stepper Motor	1
29	none	Connecting Cable	0
30	390000591	Ambient Temperature Sensor	1
32	3900004508	Temperature Sensor	1

