



Installation & Owner's Manual

Original Instructions

Split Type Wall-mounted Air Conditioner



Model:

MULTIU18HP230V1DO

MULTIU24HP230V1DO

MULTIU36HP230V1DO

MULTIU42HP230V1DO

Thank you for choosing our product.
Please read this Owner's Manual carefully before operation and retain it for future reference.
If you have lost the Owner's Manual, please contact your local distributor or visit www.greecomcomfort.com/resources for the electronic version.

In line with the company's policy of continual product improvement, the aesthetic and dimensional characteristics, technical data and accessories of this appliance may be changed without notice.

CONTENTS

GENERAL INFORMATION

GENERAL INFORMATION	Conformity And Range	1
	The Instructions Before Use	2
	Name of Parts	3
	Technical Data	5
	Outdoor Unit Working Temperature Range	5
INSTALLER	Electrical Connections	6
	Installing The Outdoor Unit	10
	Bleeding	10
	Maintenance	11
	Installation Dimension Diagram	11
	Check After Installation	12

The products in this manual may be different from the ones you receive, due to different models, some models have a display, some models do not. For the position and shape of the display please refer to the your model.

This appliance is not intended for use by persons (including children) with reduced physical, sensory or mental capabilities, or lack of experience and knowledge, unless they have been given supervision or instruction concerning use of the appliance by a person responsible for their safety.

Children should be supervised to ensure that they do not play with the appliance.

Explanation of Symbols



Indicates a hazardous situation that, if not avoided, will result in death or serious injury.



Indicates a hazardous situation that, if not avoided, could result in death or serious injury.



Indicates a hazardous situation that, if not avoided, may result in minor or moderate injury.



Indicates important but not hazard-related information, used to indicate risk of property damage.



Indicates a hazard that would be assigned a signal word WARNING or CAUTION.

Exception Clauses

Manufacturer will bear no responsibilities when personal injury or property loss is caused by the following reasons.


1. Damage the product due to improper use or misuse of the product;
2. Altering, changing, servicing or using the product with other equipment without abiding by the instruction manual of manufacturer.
3. Upon verification, the defect of product is directly caused by corrosive gas;
4. Upon verification, the defects are due to transportation damage.
5. Operating, repairing or servicing the unit without following the instruction manual or related regulations.
6. Upon verification, the problem or dispute is caused by the quality specification or performance of parts and components that produced by other manufacturers;
7. Damage caused by natural disasters, corrosive environments or force majeure.


CONFORMITY AND RANGE

GENERAL INFORMATION This appliance can be used by children aged from 8 years and above and persons with reduced physical, sensory or mental capabilities or lack of experience and knowledge if they have been given supervision or instruction concerning use of the appliance in a safe way and understand the hazards involved.

Children shall not play with the appliance.

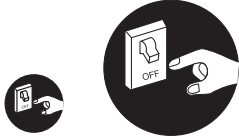
Cleaning and user maintenance shall not be made by children without supervision.

 Please read this owner's manual carefully before operating the unit and retain it for consultation. Instructions for installation and use of this product are provided by the manufacturer.

 Only use the air conditioner as instructed in this booklet. These instructions are not intended to cover every possible condition and situation. As with any electrical household appliance, common sense and caution are therefore always recommended for installation, operation and maintenance.

WARNING

★ If you smell something burning or see smoke, turn off the power supply and contact an HVAC technician.



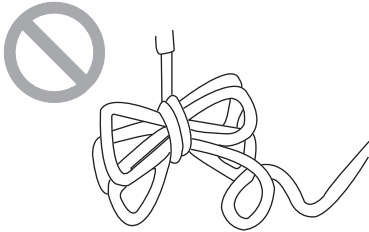
If the abnormality still exists, the unit may be damaged, and may cause electric shock or fire.

★ The power supply must be connected to a properly sized circuit breaker. The unit will cycle automatically according to your settings. Do not frequently turn your unit on or off, this may interfere with its normal operation

★ Never cut off or damage power and control wiring. If the power and signal control wires are damaged, have them replaced by an HVAC technician.



★ All power wiring must comply with local, regional or national electric codes.



Improper wiring can cause electrical shock or fire.

★ If you won't be using your unit for extended periods, disconnect the power supply.



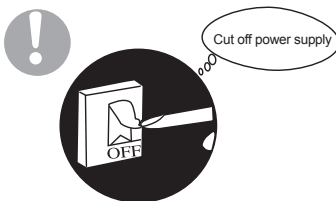
Residual dust build up could cause overheating or fire.

★ Never damage electrical wiring or use the electrical wire which is not suited for this application.



It could cause overheating or fire.

★ When cleaning, turn the unit off and disconnect power supply at the breaker.

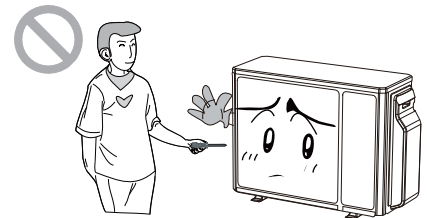


Not doing so may cause electrical shock or damage.

★ Rated voltage of this air conditioner 208/230V, 60Hz, The compressor will vibrate sharply if the voltage is too low, resulting in damage to the refrigeration system.

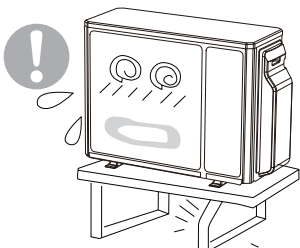
Electrical components are easy damaged if the voltage is too high.

★ Don't attempt to repair the air conditioner yourself.



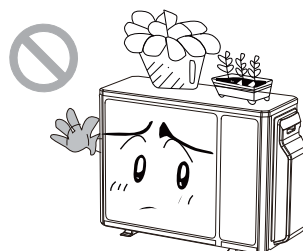
Improper repair could lead to an electrical shock or fire, always contacts an HVAC technician to service or repair you unit.

★ Make sure the unit is safely and securely installed.



Improper installation may cause damage to the unit or injure someone

★ Don't step on or place anything on top of the outdoor unit.



Serious injury or irreparable damage could occur.

★ Grounding: The unit must be properly grounded. The ground wire must be connected to the appropriate grounding terminal in the unit.



MULTIU18HP230V1DO

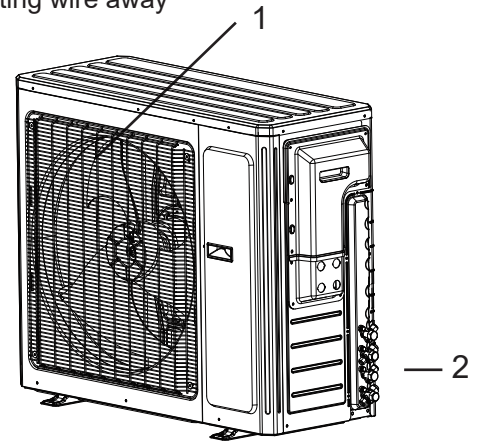
WARNING

- If the supply wire is damaged, it must be replaced by the manufacturer or a licensed HVAC technician or a similarly qualified person in order to avoid a hazard.
- Be sure to disconnect the power supply before cleaning the air conditioner; to avoid an electrical shock.
- Wetting of air conditioner may cause the risk of electrical shock. Make sure not to wash your air conditioner under any circumstance.
- Volatile liquids such as thinner or gasoline will cause damage to the appearance of air conditioner. (Only use soft dry cloth moist cloth clean the air conditioner cabinet).
- Do not dispose this product as unsorted municipal waste. Dispose according to local waste regulations.
- The temperature of refrigerant circuit is high, please keep the interconnecting wire away from the copper refrigerant lines.



OUTDOOR UNIT	
No.	Description
1	Air outlet grille
2	Valve

Note: The above figures are only intended to be a simple diagram of the appliance and may not correspond to the appearance of the units that have been purchased.



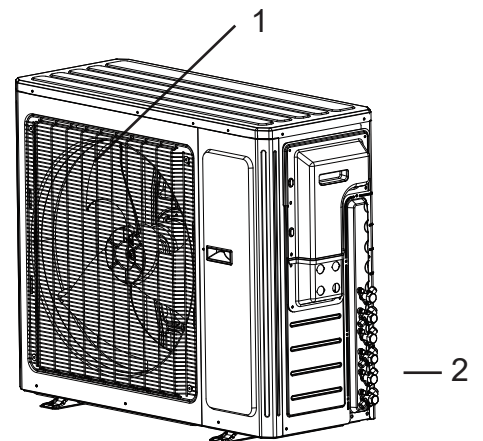
MULTIU24HP230V1DO

WARNING

- If the supply wire is damaged, it must be replaced by the manufacturer or a licensed HVAC technician or a similarly qualified person in order to avoid a hazard.
- Be sure to disconnect the power supply before cleaning the air conditioner; to avoid an electrical shock.
- Wetting of air conditioner may cause the risk of electrical shock. Make sure not to wash your air conditioner under any circumstance.
- Volatile liquids such as thinner or gasoline will cause damage to the appearance of air conditioner. (Only use soft dry cloth moist cloth clean the air conditioner cabinet).
- Do not dispose this product as unsorted municipal waste. Dispose according to local waste regulations.
- The temperature of refrigerant circuit is high, please keep the interconnecting wire away from the copper refrigerant lines.

OUTDOOR UNIT	
No.	Description
1	Air outlet grille
2	Valve

Note: The above figures are only intended to be a simple diagram of the appliance and may not correspond to the appearance of the units that have been purchased.



MULTIU36HP230V1DO MULTIU42HP230V1DO

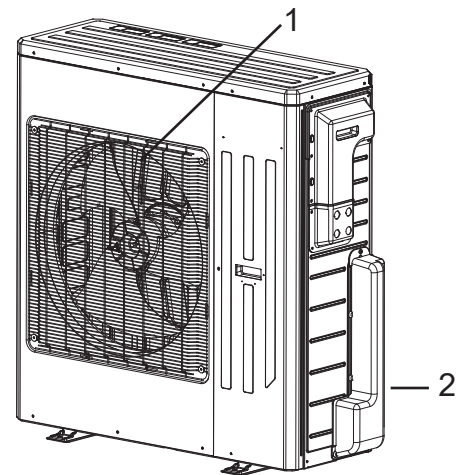
WARNING

- If the supply wire is damaged, it must be replaced by the manufacturer or a licensed HVAC technician or a similarly qualified person in order to avoid a hazard.
- Be sure to disconnect the power supply before cleaning the air conditioner; to avoid an electrical shock.
- Wetting of air conditioner may cause the risk of electrical shock. Make sure not to wash your air conditioner under any circumstance.
- Volatile liquids such as thinner or gasoline will cause damage to the appearance of air conditioner. (Only use soft dry cloth moist cloth clean the air conditioner cabinet).
- Do not dispose this product as unsorted municipal waste. Dispose according to local waste regulations.
- The temperature of refrigerant circuit is high, please keep the interconnecting wire away from the copper refrigerant lines.



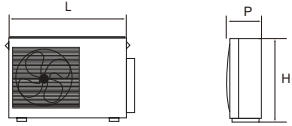
OUTDOOR UNIT	
No.	Description
1	Air outlet grille
2	Valve

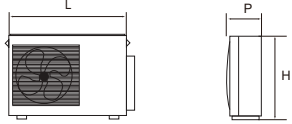
Note: The above figures are only intended to be a simple diagram of the appliance and may not correspond to the appearance of the units that have been purchased.

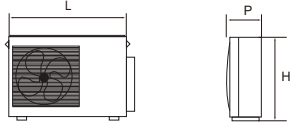


TECHNICAL DATA

GENERAL INFORMATION

MODE	MULTIU18HP230V1DO		
Electrical data			
Electricity supply	208/230V,60Hz		
Fuse or circuit breaker	35		A
Minimum power wire section	5.3		mm ²
Size and clearance			
	L	920	mm
	P	380	mm
	H	790	mm

MODE	MULTIU24HP230V1DO		
Electrical data			
Electricity supply	208/230V,60Hz		
Fuse or circuit breaker	40		A
Minimum power wire section	5.3		mm ²
Size and clearance			
	L	920	mm
	P	380	mm
	H	790	mm

MODE	MULTIU36HP230V1DO MULTI U42HP230V1DO		
Electrical data			
Electricity supply	208/230V,60Hz		
Fuse or circuit breaker	60		A
Minimum power wire section	8.4		mm ²
Size and clearance			
	L	1016	mm
	P	440	mm
	H	1103	mm

OUTDOOR UNIT WORKING TEMPERATURE RANGE

GENERAL INFORMATION

	OutdoorsideDB/WB(°F / °C)
Maximum cooling	115°F(46°C)/-
Maximum heating	75.2°F(24°C)/-

MULTIU18HP230V1DO

1. Remove the handle at the right side plate of the outdoor unit (one screw).
2. Remove the wire clamp, connect the power connection wire to the appropriate terminal and secure the connection. The wiring connections must be consistent with the indoor unit terminal connections. Wiring should match that of indoor unit.
3. Secure power connection wire with a wire clamp.
4. Ensure all wire is securely attached.
5. Install the handle.

! Provide a circuit breaker with suitable capacity, please note the following table. Circuit breakers will prevent short-circuits and overload. (Caution: do not use a fuse only for circuit protection.)

Air-conditioner	Breaker capacity
MULTIU18HP230V1DO	35A

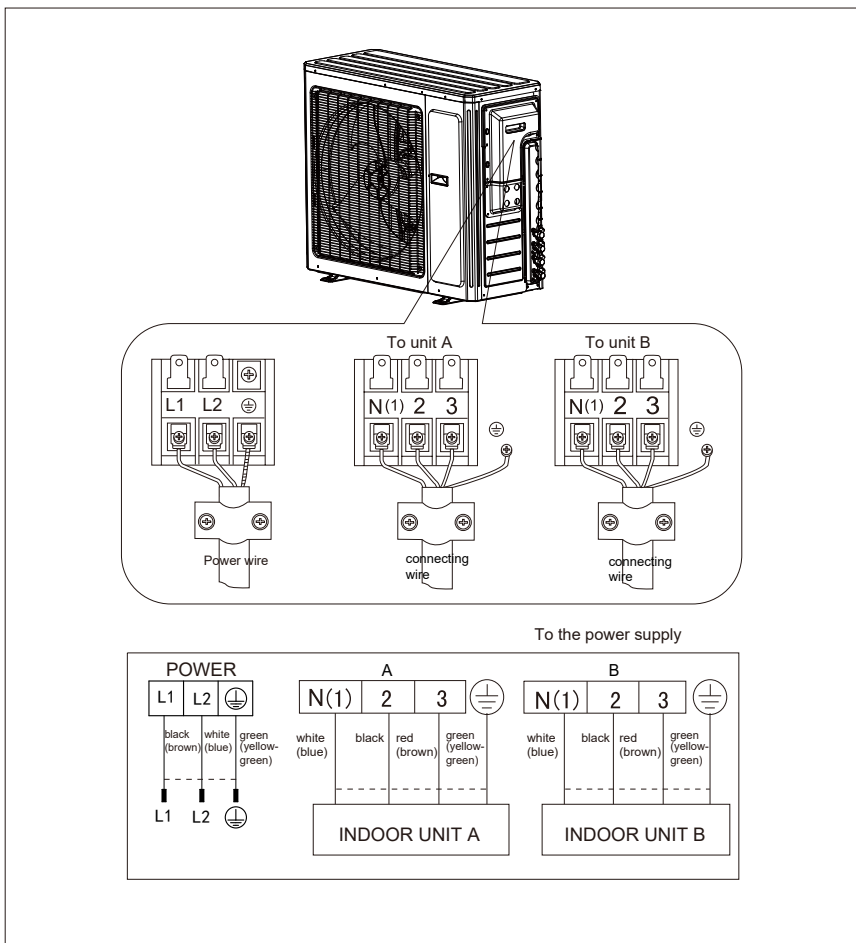
! An all-pole disconnect switch having a contact separation of at least 3mm in all poles should be connected to supply power wiring.

! Wrong wire connections may cause malfunction of some electric components. After fixing wire, ensure that leads between connection to fixed point have some space.

! The connection pipes and the connection wiring of unit A, unit B, unit C and unit D must correspond to each other respectively.

! The appliance shall be installed in accordance with national wiring regulations.

Note: The above figures are only intended to be a simple diagram of the appliance and may not correspond to the appearance of the units that have been purchased.



MULTIU24HP230V1DO

1. Remove the handle at the right side plate of the outdoor unit (one screw).
2. Remove the wire clamp, connect the power connection wire to the appropriate terminal and secure the connection. The wiring connections must be consistent with the indoor unit terminal connections. Wiring should match that of indoor unit.
3. Secure power connection wire with a wire clamp.
4. Ensure all wire is securely attached.
5. Install the handle.

! Provide a circuit breaker with suitable capacity, please note the following table. Circuit breakers will prevent short-circuits and overload. (Caution: do not use a fuse only for circuit protection.)

Air-conditioner	Breaker capacity
MULTIU24HP230V1DO	40A

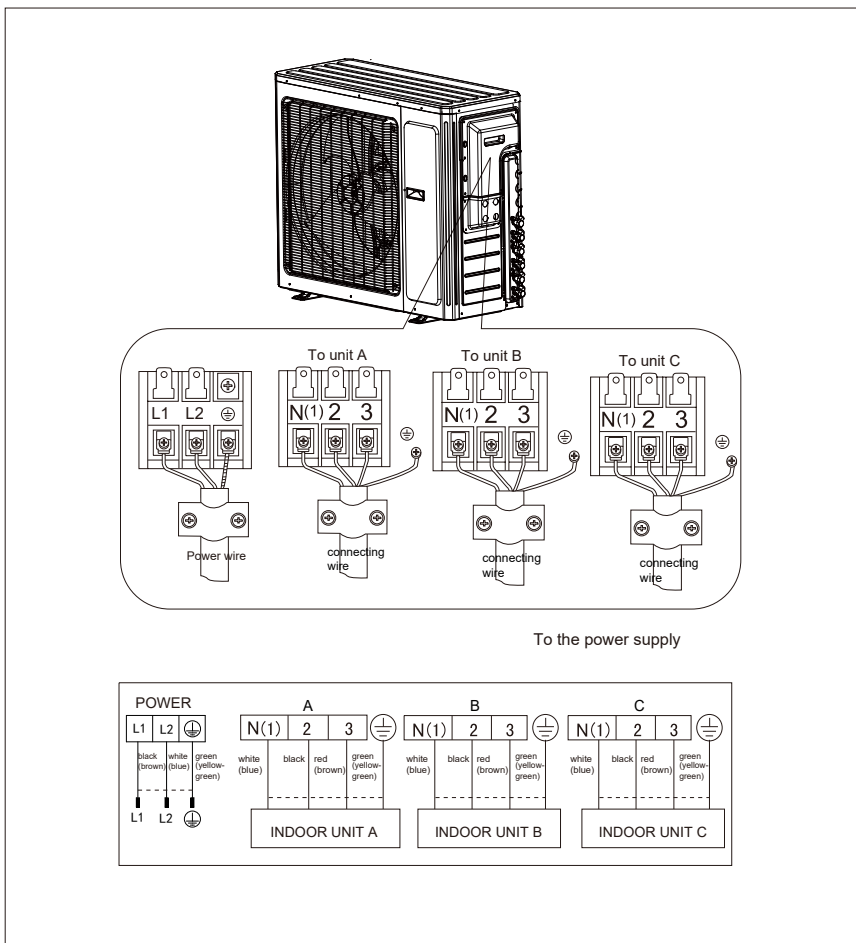
! An all-pole disconnect switch having a contact separation of at least 3mm in all poles should be connected to supply power wiring.

! Wrong wire connections may cause malfunction of some electric components. After fixing wire, ensure that leads between connection to fixed point have some space.

! The connection pipes and the connection wiring of unit A, unit B, unit C and unit D must correspond to each other respectively.

! The appliance shall be installed in accordance with national wiring regulations.

Note: The above figures are only intended to be a simple diagram of the appliance and may not correspond to the appearance of the units that have been purchased.



MULTIU36HP230V1DO

1. Remove the handle at the right side plate of the outdoor unit (one screw).
2. Remove the wire clamp, connect the power connection wire to the appropriate terminal and secure the connection. The wiring connections must be consistent with the indoor unit terminal connections. Wiring should match that of indoor unit.
3. Secure power connection wire with a wire clamp.
4. Ensure all wire is securely attached.
5. Install the handle.

! Provide a circuit breaker with suitable capacity, please note the following table. Circuit breakers will prevent short-circuits and overload. (Caution: do not use a fuse only for circuit protection.)

Air-conditioner	Breaker capacity
MULTIU36HP230V1DO	60A

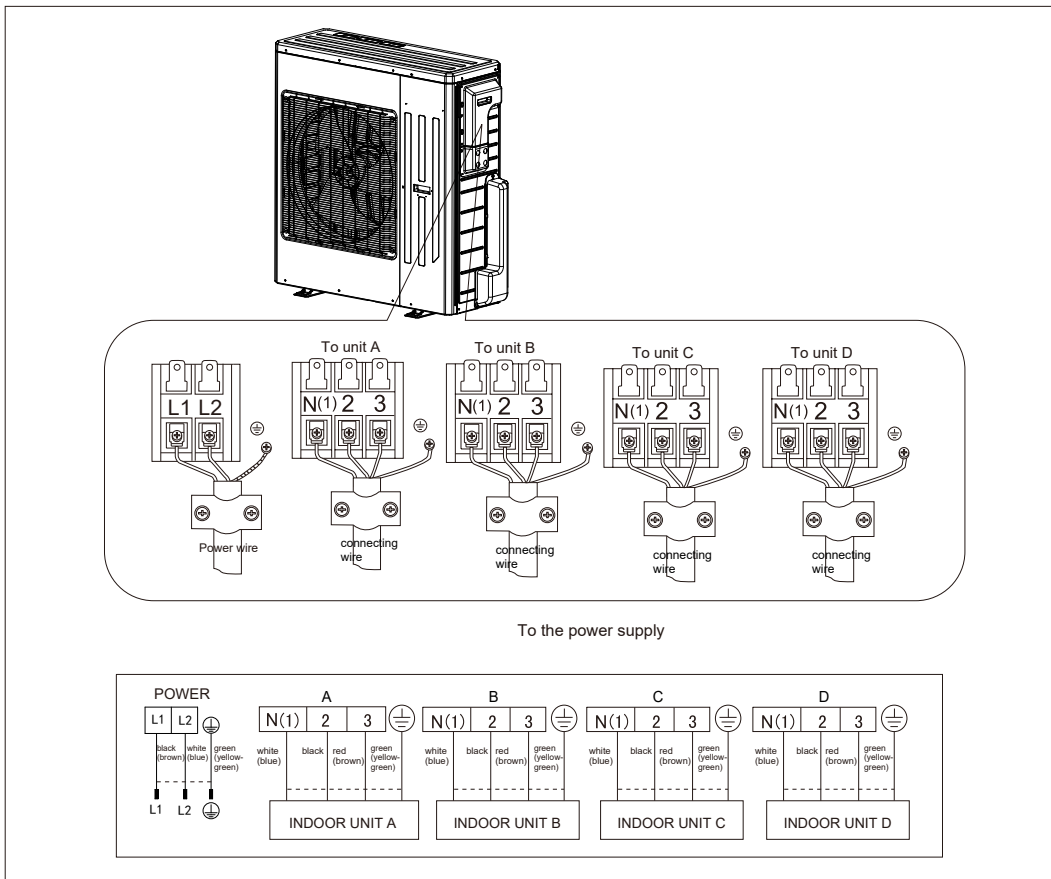
! An all-pole disconnect switch having a contact separation of at least 3mm in all poles should be connected to supply power wiring.

! Wrong wire connections may cause malfunction of some electric components. After fixing wire, ensure that leads between connection to fixed point have some space.

! The connection pipes and the connection wiring of unit A, unit B, unit C and unit D must be correspond to each other respectively.

! The appliance shall be installed in accordance with national wiring regulations.

Note: The above figures are only intended to be a simple diagram of the appliance and may not correspond to the appearance of the units that have been purchased.



MULTIU42HP230V1DO

1. Remove the handle at the right side plate of the outdoor unit (one screw).
2. Remove the wire clamp, connect the power connection wire to the appropriate terminal and secure the connection. The wiring connections must be consistent with the indoor unit terminal connections. Wiring should match that of indoor unit.
3. Secure power connection wire with a wire clamp.
4. Ensure all wire is securely attached.
5. Install the handle.

! Provide a circuit breaker with suitable capacity, please note the following table. Circuit breakers will prevent short-circuits and overload. (Caution: do not use a fuse only for circuit protection.)

Air-conditioner	Breaker capacity
MULTIU42HP230V1DO	60A

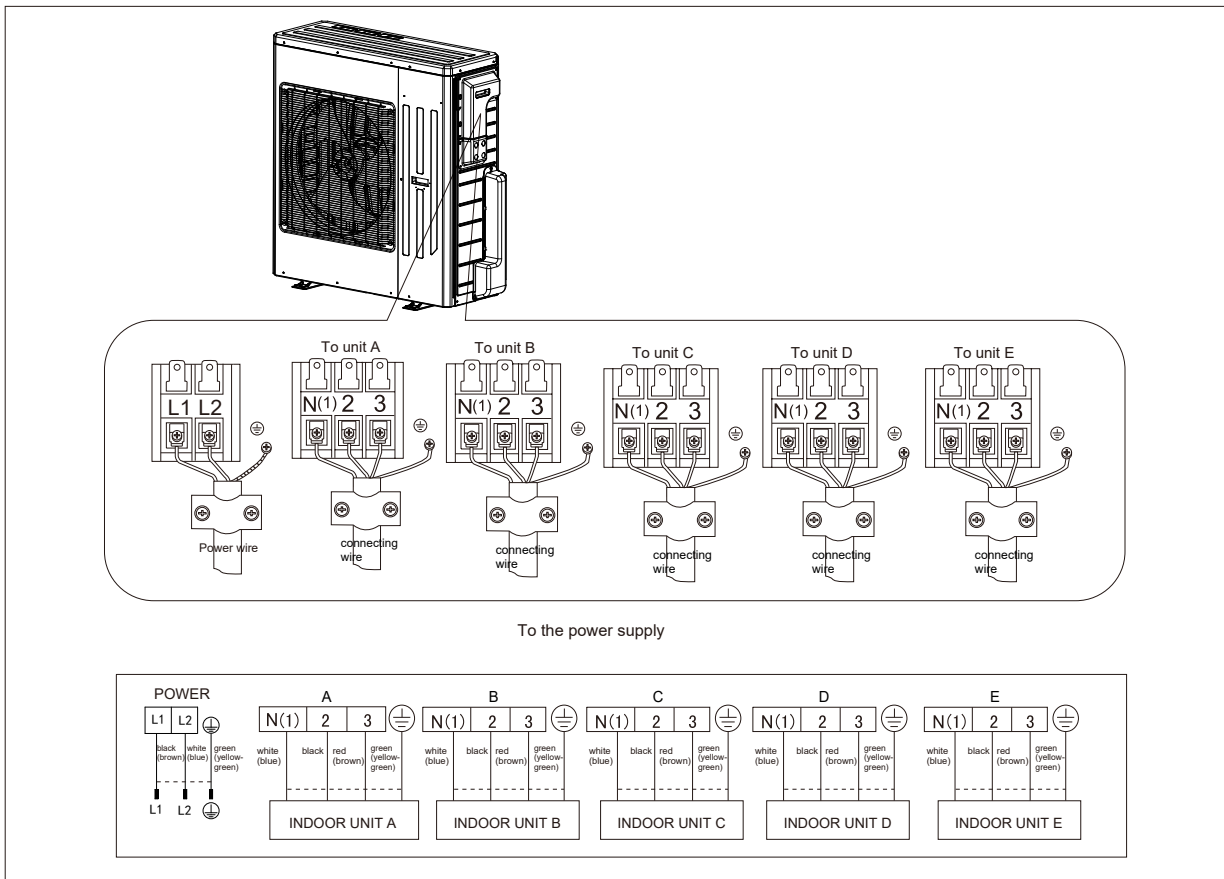
! An all-pole disconnect switch having a contact separation of at least 3mm in all poles should be connected to supply power wiring.

! Wrong wire connections may cause malfunction of some electric components. After fixing wire, ensure that leads between connection to fixed point have some space.



! The connection pipes and the connection wiring of unit A, unit B, unit C and unit D must correspond to each other respectively.

! The appliance shall be installed in accordance with national wiring regulations.


Note: The above figures are only intended to be a simple diagram of the appliance and may not correspond to the appearance of the units that have been purchased.



Location




-  Use bolts to secure the unit to a flat, solid surface. When mounting the unit on a wall or the roof, make sure the support is firmly secured so that it cannot move in the event of intense vibrations or a strong wind.
-  Do not install the outdoor unit in pits or air vents.

Installing the refrigerant lines

-  Use suitable refrigerant lines and equipment for refrigerant R410A.

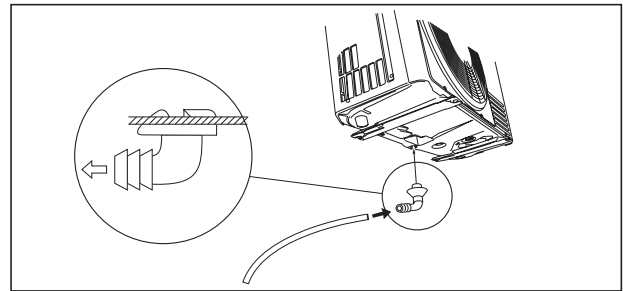
Models (ft)	18Kx2	24Kx2	24Kx3	36Kx2	36Kx3
Max. connection pipe length	164	164	229	164	246
Max. connection pipe length (Simple one indoor unit)	82	82	82	82	82

Models (ft)	36Kx4	42Kx2	42Kx3	42Kx4	42Kx5
Max. connection pipe length	246	246	246	246	246
Max. connection pipe length (Simple one indoor unit)	82	82	82	82	82

-  The refrigerant lines must not exceed the maximum heights 33ft(18Kx2 & 24Kx2 & 24Kx3 & 36x2 & 36x3 & 36x4 & 42x2 & 42x3 & 42x4 & 42x5).
-  Wrap all the refrigerant pipes and joints.
-  Tighten the connections using two wrenches working in opposite directions.

Caution: Installation Must be Performed in Accordance with the NEC/CEC by Authorized Personnel Only.
Install the drain fitting and the drain hose (for model with heat pump only)

Condensation is produced and flows from the outdoor unit when the appliance is operating in the heating mode. In order not to disturb neighbours and to respect the environment, install a drain fitting and a drain hose to channel the condensate water. Install the drain fitting and rubber washer on the outdoor unit chassis and connect a drain hose to it as shown in the figure.



BLEEDING

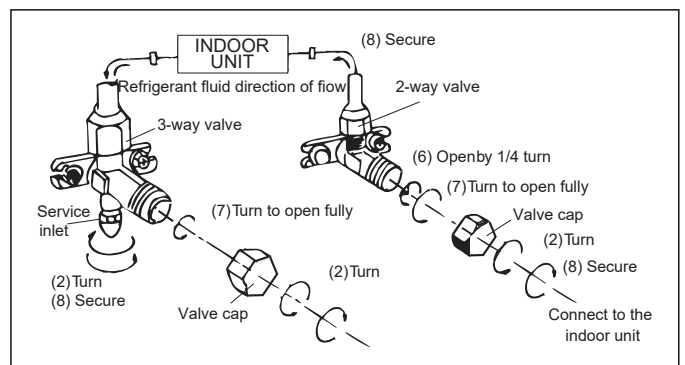
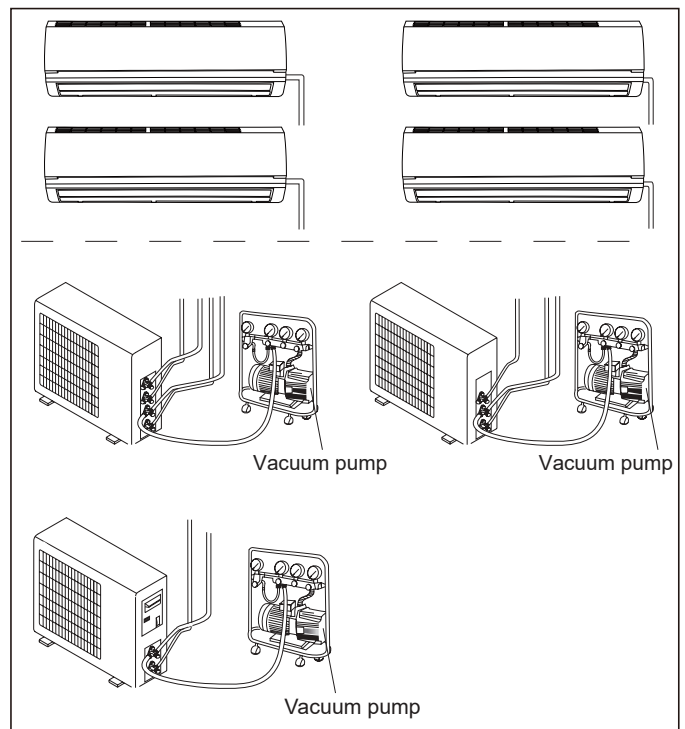
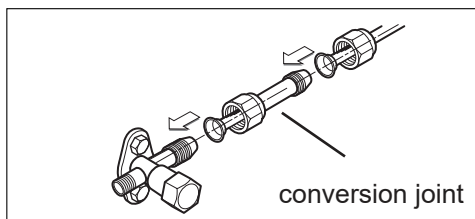
INSTALLER

Humid air left inside the refrigerant circuit can cause compressor malfunction. After having connected the indoor and outdoor units, bleed the air and humidity from the refrigerant circuit using a vacuum pump.

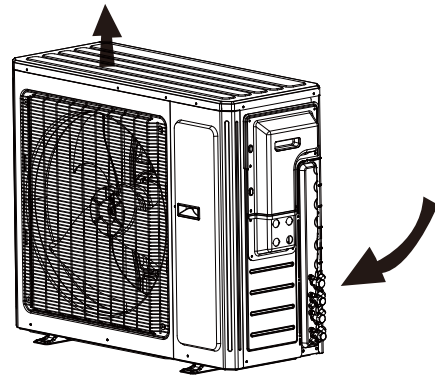
- (1) Unscrew and remove the caps from the 2-way and 3-way valves.
- (2) Unscrew and remove the cap from the service valve.
- (3) Connect the vacuum pump hose to the service valve.
- (4) Operate the vacuum pump for 10-15 minutes until an absolute vacuum of 10 mm Hg has been reached.
- (5) With the vacuum pump still in operation, close the low-pressure knob on the vacuum pump coupling. Stop the vacuum pump.
- (6) Open the 2-way valve by 1/4 turn and then close it after 10 seconds. Check all the joints for leaks using liquid soap or an electronic leak device.
- (7) Turn the body of the 2-way and 3-way valves. Disconnect the vacuum pump hose.
- (8) Replace and tighten all the caps on the valves.

Diameter (mm)	Twisting moment (ft lbs)
Φ6	11-14.75
Φ9.52	26-29.5
Φ16	42.3-48
Φ12	33.2-36.9
Φ19	51.6-55.3

18.24.36.42K unit need to be installed the indoor unit



- ⚠ Use suitable instruments for the refrigerant R410A.
- ⚠ Do not use any other refrigerant than R410A.
- ⚠ Do not use mineral oils to clean the unit.

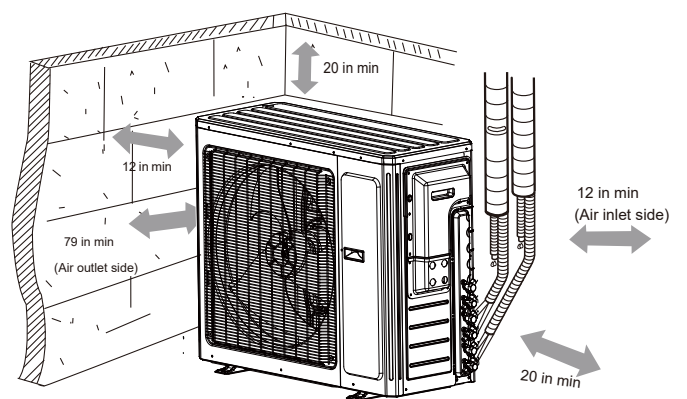
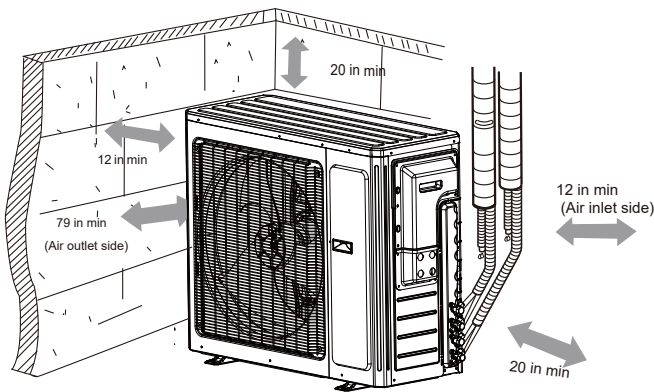


INSTALLATION DIMENSION DIAGRAM

- ⚠ The installation must be done by trained and licensed service personnel adhering to the instructions provided in this manual.
- ⚠ Contact a licensed HVAC contractor for installation to avoid any issues that will void the warranty.
- ⚠ Any disconnecting and relocation of a unit must be done by a qualified licensed HVAC technician.
- ⚠ Ensure that the minimum spacing requirements (below) are adhered to.

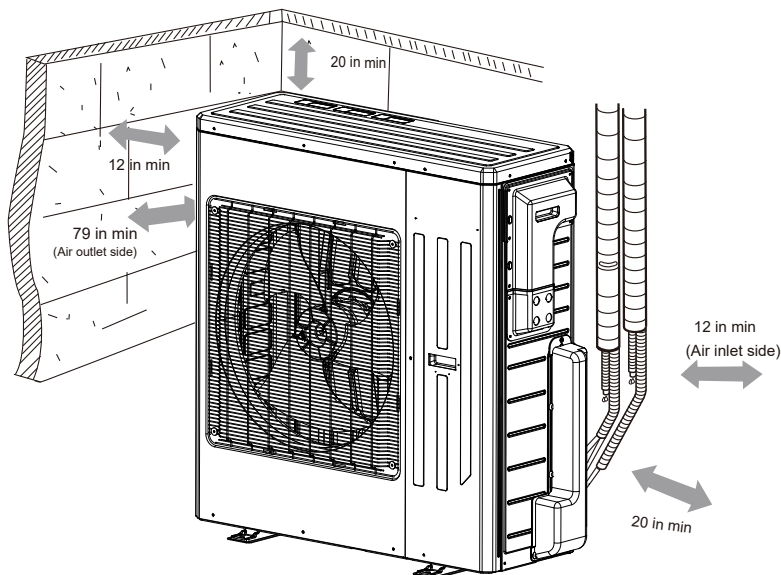
MULTIU18HP230V1DO

MULTIU24HP230V1DO



MULTIU36HP230V1DO

MULTIU42HP230V1DO



Check Items	Problems Due to Improper Installation
Is the installation secure?	The unit may drop, vibrate or make noises
Has the gas leakage been checked?	May cause unsatisfactory cooling (heating) problems
Is the thermal insulation of the unit sufficient?	May cause condensation and water formation
Is the drainage sufficient?	May cause condensation and water formation
Does the power supply voltage match the rated voltage specified on the nameplate?	The unit may break down or the components may burn out
Are the refrigerant lines and wiring correctly installed?	The unit may break down or the components may burn out
Has the unit been safely grounded?	Risk of electrical shock
Do the line sizes comply with requirements?	The unit may break down or the components may burn out
Are there any obstacles near the air inlet and outlet of the indoor and outdoor units?	The unit may break down or the components may burn out or not perform to specifications
Is the refrigerant charge correct for the length of refrigerant lines installed	Check to see if more refrigerant needs to be added.



U.S. CONTACT INFORMATION
TRADEWINDS, LLC

www.greecomfort.com/resources
E-mail: info@twclimate.com
Contractor Support 888-850-7928 | Mon-Fri 8AM-5PM EDT



GREE ELECTRIC APPLIANCES, INC. OF ZHUHAI

Add: West Jinji Rd, Qianshan, Zhuhai, Guangdong, China, 519070
Tel: (+86-756) 8522218
Fax: (+86-756) 8669426
E-mail: gree@gree.com.cn www.gree.com

CAT NO: GREE_MULTIU_INSTALL & OWNERS_062819



66129932222