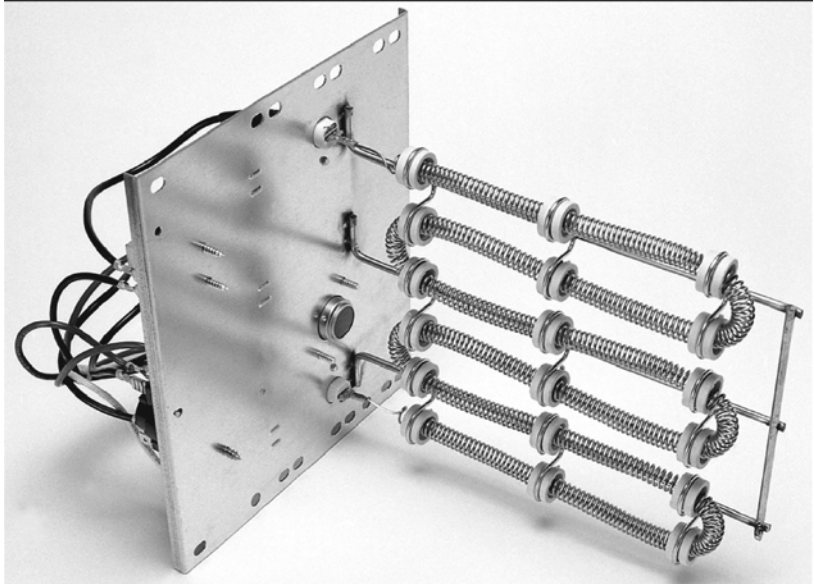


REPAIR PARTS

HKS Heater Kits

HKSC05XCAA
HKSC08XCAA
HKSC10XCAA
HKSC15XAAA
HKSC15XBAA
HKSC15XBAB
HKSC15XFAA
HKSC19CAAA
HKSC19CBAA
HKSC19CBAB
HKSC20DAAA
HKSC20DBAA
HKSC20DBAB
HKSC20XFAA
HKSC25DCAA
HKSX03XCAA
HKSX05XCAA
HKSX06XCAA
HKSX08XCAA
HKSX10XCAA
HKSX15XFAA
HKSX20XFAA



This manual is to be used by qualified technicians only.

This manual replaces RP-704A.

© 2012,2014 Goodman Manufacturing Company, L.P. ♦ 5151 San Felipe, Suite 500 ♦ Houston, TX 77056

Important Information

Index

Functional Parts List	3
Illustration and Parts	4 - 15

Views shown are for parts illustrations only, not servicing procedures

Rev A: Introduction of HKSC15XF AA, HKSC20XF AA and HKSC25DC AA models with circuit breaker options sized for 208/240V. These models are in accordance with UL requirements for 2012.

Rev B: Addition of HKSX15XFAA & HKSX20XFAA models without circuit breakers and various other circuit breaker updates

Text Codes:

AR - As Required

NA - Not Available

NS - Not Shown

00000000 - See Note

QTY - Quantity Example (QTY 3) (If Quantity not shown, Quantity = 1)

M - Model Example (M1) (If M Code not shown, then part is used on all Models)

Expanded Model Nomenclature:

Example
M1 - Model#1
M2 - Model#2
M3 - Model#3

Goodman Manufacturing Company, L.P. is not responsible for personal injury or property damage resulting from improper service. Review all service information before beginning repairs.

Warranty service must be performed by an authorized technician, using authorized factory parts. If service is required after the warranty expires, Goodman Manufacturing Company, L.P. also recommends contacting an authorized technician and using authorized factory parts.

Goodman Manufacturing Company, L.P. reserves the right to discontinue, or change at any time, specifications or designs without notice or without incurring obligations.

For assistance within the U.S.A. contact:
Consumer Affairs Department
Goodman Manufacturing Company, L.P.
7401 Security Way
Houston, Texas 77040
877-254-4729-Telephone
713-863-2382-Facsimile

For assistance outside the U.S.A. contact:
International Division
Goodman Manufacturing Company, L.P.
7401 Security Way
Houston, Texas 77040
713-861-2500-Telephone
713-863-2382-Facsimile

Functional Parts

Part No: **Description:**

CBK2PD240VA080	CBK, 2POLE, DUAL 120/240V, 80A (M15)
CBK3PD240VA040	CBK, 3POLE, DUAL 120/240V, 40A (M7)
CBK3PD240VA050	CBK, 3POLE, DUAL 120/240V, 50A (M14)
CBK2PD240VA030	CIRCUIT BREAKER , 2 POLE, DUAL, 120/240V, 30A (M1, M5)
CBK2PD240VA045	CIRCUIT BREAKER , 2 POLE, DUAL, 120/240V, 45A (M8, M11, M15)
CBK2PD240VC025	CIRCUIT BREAKER ,2 POLE, DUAL,120/240V,C Style,25A (M6)
CBK2PD240VC060	CIRCUIT BREAKER ,2 POLE, DUAL,120/240V,C Style,60A (M6, M10, M13)
CBK2PD240VA040	CIRCUIT BREAKER 40 AMP (GE) (M2)
CBK2PD240VA025	CIRCUIT BREAKER, 2 POLE, DUAL, 120/240V, 25A (M4, M15)
CBK2PD240VA050	CIRCUIT BREAKER, 2 POLE, DUAL, 120/240V, 50A (M4, M8, M11, M15)
CBK2PD240VA060	CIRCUIT BREAKER, 2 POLE, DUAL, 120/240V, 60A (M3, M5, M9, M12)
CBK2PD240VC050	CIRCUIT BREAKER,2 POLE, DUAL,120/240V,C Style,50A (M10, M13)
CONT3P050024V	CONT, 3 POLE, 50 AMP, 24 VAC (M7, M21)
CONT3P060024V	CONT, 3 POLE, 60 AMP, 24VAC (M14)
CONT3P060024V	CONT, 3 POLE, 60 AMP, 24VAC (M14, M22)
0200-195-001P	FUSE LINK 84°C (M16)
0200-086-001P	FUSE LINK 93°C (M1, M2, M3, M4, M5, M6, M7, M8, M9, M10, M11, M12, M13, M14, M15, M17, M18, M19, M20, M21)
0175M00007	HEATER ELEMENT 14.40 KW (M4, M5, M6, M7)
0175M00017	HEATER ELEMENT 14.4KW (M21)
0175M00008	HEATER ELEMENT 19.20 KW (M11, M12, M13)
0175M00010	HEATER ELEMENT 19.20 KW (M8, M9, M10)
0175M00016	HEATER ELEMENT 20 KW, 3-PHASE (M22)
0175M00002	HEATER ELEMENT 3.00 KW (M16)
0175M00003	HEATER ELEMENT 4.80 KW (M1, M17)
0175M00004	HEATER ELEMENT 6.00 KW (M18)
0175M00005	HEATER ELEMENT 8.00 KW (M2, M19)
0175M00006	HEATER ELEMENT 9.60 KW (M3, M20)
0175M00013	HEATER ELEMENT, 20KW, 3PHASE (M14)
0175M00014	HEATER ELEMENT, 25KW, 1PHASE (M15)
0200-194-001P	LIMIT (M1, M2, M3, M4, M5, M6, M7, M8, M9, M10, M11, M12, M13, M14, M15, M16, M17, M18, M19, M20, M21)
0200-183-001P	LIMIT (M22)
0200-151-001P	ONE SHOT DEVICE (M22)
B1256558	SEQUENCER (M1, M4, M5, M6, M10, M15, M16, M17)
B1256559	SEQUENCER (M2, M3, M4, M5, M6, M7, M8, M9, M10, M11, M12, M14, M18, M19, M20, M21, M22)
B1256554	SEQUENCER A48/60 20 KW (M15)
B1368250	TERMINAL BLOCK (HIGH VOLTAGE) (M7, M14, M16, M17, M18, M19, M20, M21, M22)

Expanded Model Nomenclature

M1 - HKSC05XCAA
M2 - HKSC08XCAA
M3 - HKSC10XCAA
M4 - HKSC15XAAA
M5 - HKSC15XBAA
M6 - HKSC15XBAB
M7 - HKSC15XFAA
M8 - HKSC19CAAA
M9 - HKSC19CBAA
M10 - HKSC19CBAB
M11 - HKSC20DAAA
M12 - HKSC20DBAA
M13 - HKSC20DBAB
M14 - HKSC20XFAA
M15 - HKSC25DCAA
M16 - HKSX03XCAA
M17 - HKSX05XCAA
M18 - HKSX06XCAA
M19 - HKSX08XCAA
M20 - HKSX10XCAA
M21 - HKSX15XFAA
M22 - HKSX20XFAA

HKSC Heater Kits with Circuit Breakers

IMAGE 1

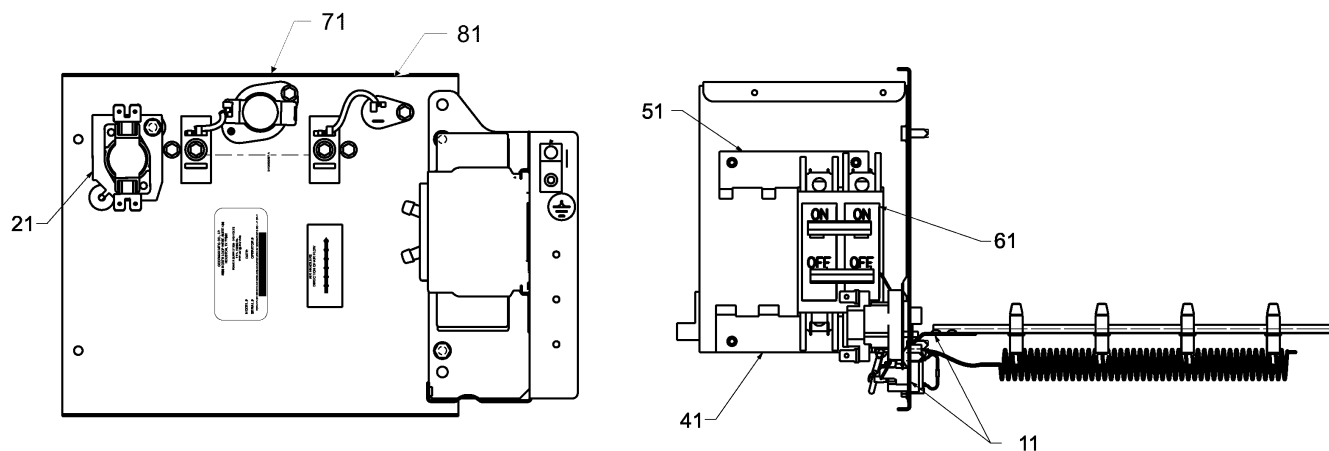
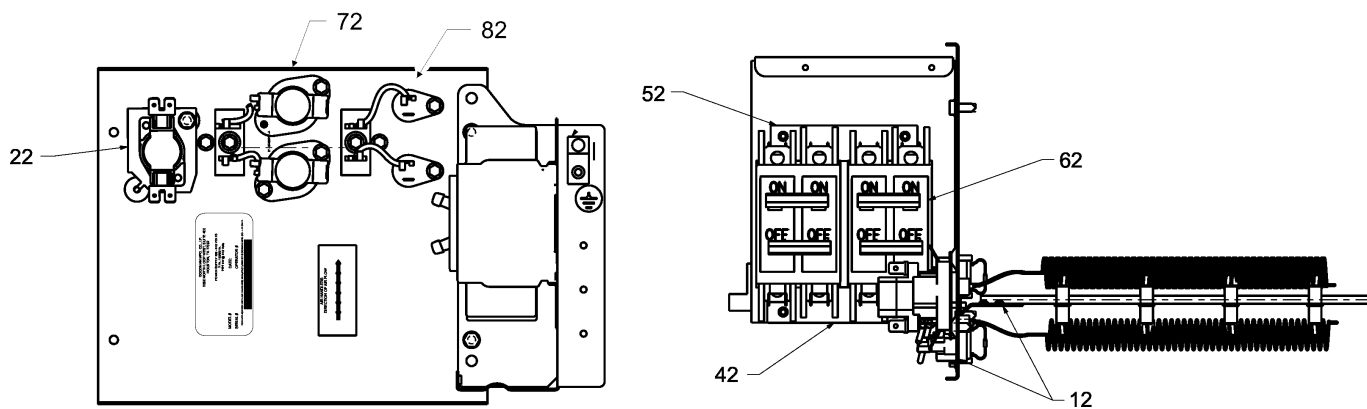


IMAGE 2



HKSC Heater Kits with Circuit Breakers

Ref. Part No: No:	Description:	Ref. Part No: No:	Description:
-------------------	--------------	-------------------	--------------

Image 1:

11	0175M00003	HEATER ELEMENT 4.80 KW (M1)
21	B1256558	SEQUENCER (M1)
41	0121A00368	MOUNTING BRACKET (M1)
51	0121A00369	MOUNTING BRACKET (M1)
61	CBK2PD240VA030	CIRCUIT BREAKER , 2 POLE, DUAL, 120/240V, 30A (M1)
71	0200-194-001P	LIMIT (M1)
81	0200-086-001P	FUSE LINK 93°C (M1)
NS	0259K00011	WIRE ASSY, 9 PIN FEMALE (M1)

Image 2:

12	0175M00005	HEATER ELEMENT 8.00 KW (M2)
12	0175M00006	HEATER ELEMENT 9.60 KW (M3)
22	B1256559	SEQUENCER (M2, M3)
42	0121A00368	MOUNTING BRACKET (M2, M3)
52	0121A00369	MOUNTING BRACKET (M2, M3)
62	CBK2PD240VA040	CIRCUIT BREAKER 40 AMP (GE) (M2)
62	CBK2PD240VA060	CIRCUIT BREAKER, 2 POLE, DUAL, 120/240V, 60A (M3)
72	0200-194-001P	LIMIT (M2, M3)
82	0200-086-001P	FUSE LINK 93°C (M2, M3)
NS	0259K00011	WIRE ASSY, 9 PIN FEMALE (M2, M3)

Expanded Model Nomenclature

- M1 - HKSC05XCAA
- M2 - HKSC08XCAA
- M3 - HKSC10XCAA
- M4 - HKSC15XAAA
- M5 - HKSC15XBAA
- M6 - HKSC15XBAB
- M7 - HKSC15XFAA
- M8 - HKSC19CAAA
- M9 - HKSC19CBAA
- M10 - HKSC19CBAB
- M11 - HKSC20DAAA
- M12 - HKSC20DBAA
- M13 - HKSC20DBAB
- M14 - HKSC20XFAA
- M15 - HKSC25DCAA
- M16 - HKSX03XCAA
- M17 - HKSX05XCAA
- M18 - HKSX06XCAA
- M19 - HKSX08XCAA
- M20 - HKSX10XCAA
- M21 - HKSX15XFAA
- M22 - HKSX20XFAA

HKSC Heater Kits with Circuit Breakers

IMAGE 1

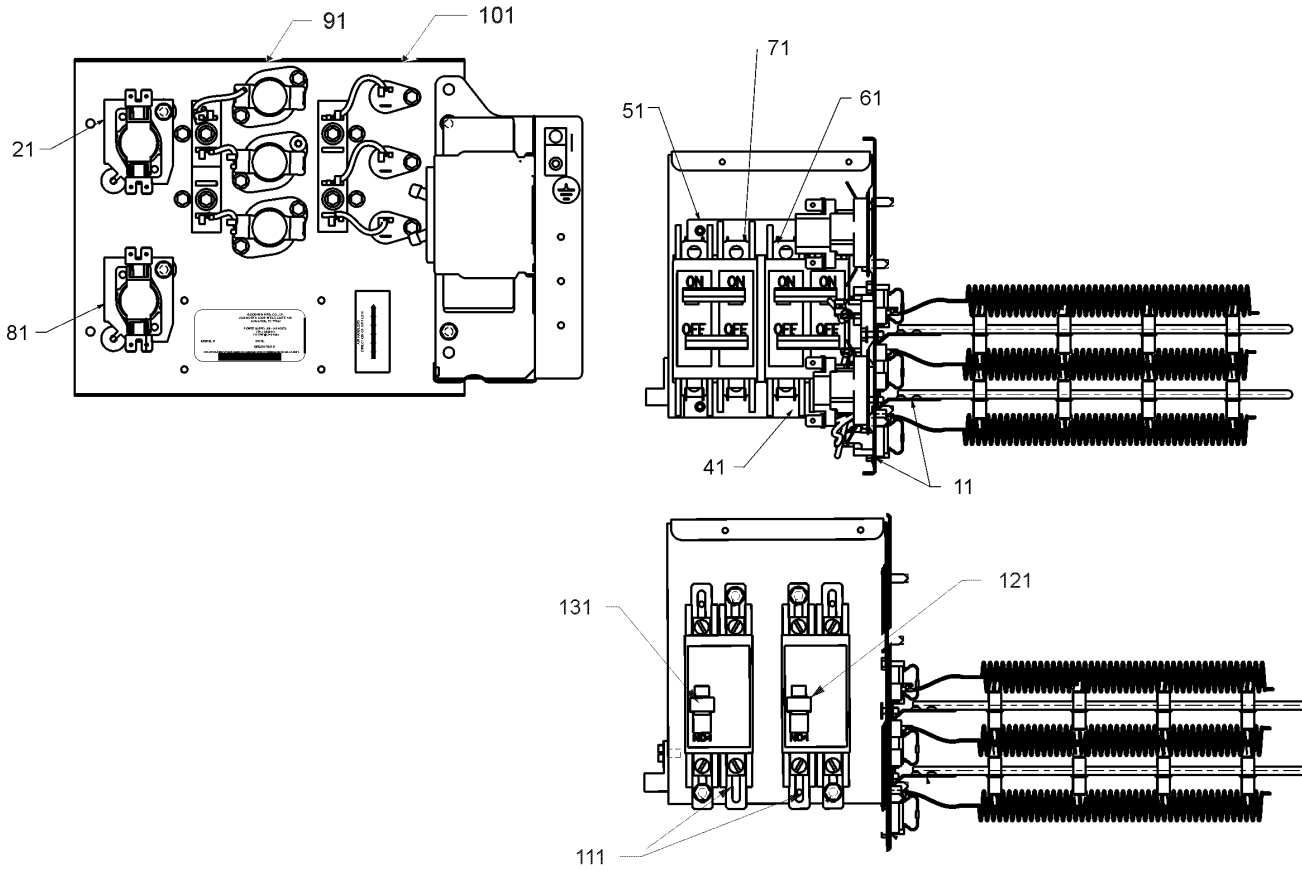
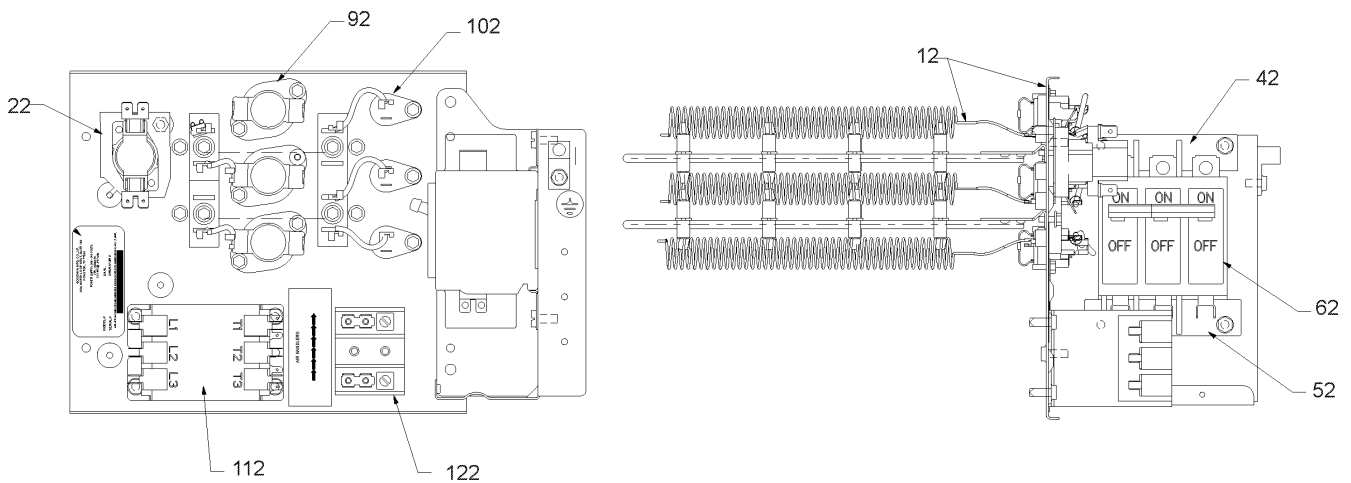


IMAGE 2



HKSC Heater Kits with Circuit Breakers

Ref. Part No:	Description:	Ref. Part No:	Description:
Image 1:		Expanded Model Nomenclature	
11	0175M00007 HEATER ELEMENT 14.40 KW (M4, M5, M6)	M1	HKSC05XCAA
21	B1256558 SEQUENCER (M4, M5, M6)	M2	HKSC08XCAA
41	0121A00368 MOUNTING BRACKET (M4, M5)	M3	HKSC10XCAA
51	0121A00369 MOUNTING BRACKET (M4, M5)	M4	HKSC15XAAA
61	CBK2PD240VA050 CIRCUIT BREAKER, 2 POLE, DUAL, 120/240V, 50A (M4)	M5	HKSC15XBAA
61	CBK2PD240VA060 CIRCUIT BREAKER, 2 POLE, DUAL, 120/240V, 60A (M5)	M6	HKSC15XBAB
71	CBK2PD240VA030 CIRCUIT BREAKER , 2 POLE, DUAL, 120/240V, 30A (M5)	M7	HKSC15XFAA
71	CBK2PD240VA025 CIRCUIT BREAKER, 2 POLE, DUAL, 120/240V, 25A (M4)	M8	HKSC19CAAA
81	B1256559 SEQUENCER (M4, M5, M6)	M9	HKSC19CBAA
91	0200-194-001P LIMIT (M4, M5, M6)	M10	HKSC19CBAB
101	0200-086-001P FUSE LINK 93°C (M4, M5, M6)	M11	HKSC20DAAA
111	0121A00400 2 POLE MOUNTING BRACKET (M6)	M12	HKSC20DBAA
121	CBK2PD240VC060 CIRCUIT BREAKER ,2 POLE, DUAL,120/240V,C Style,60A (M6)	M13	HKSC20DBAB
131	CBK2PD240VC025 CIRCUIT BREAKER ,2 POLE, DUAL,120/240V,C Style,25A (M6)	M14	HKSC20XFAA
NS	0259K00012 WIRE ASSY, 9 PIN FEMALE (M4, M5, M6)	M15	HKSC25DCAA
	Image 2:	M16	HKSX03XCAA
12	0175M00007 HEATER ELEMENT 14.40 KW (M7)	M17	HKSX05XCAA
22	B1256559 SEQUENCER (M7)	M18	HKSX06XCAA
42	0121A00378 MOUNTING BRACKET (M7)	M19	HKSX08XCAA
52	0121A00379 MOUNTING BRACKET (M7)	M20	HKSX10XCAA
62	CBK3PD240VA040 CBK, 3POLE, DUAL 120/240V, 40A (M7)	M21	HKSX15XFAA
92	0200-194-001P LIMIT (M7)	M22	HKSX20XFAA
102	0200-086-001P FUSE LINK 93°C (M7)		
112	CONT3P050024V CONT, 3 POLE, 50 AMP, 24 VAC (M7)		
122	B1368250 TERMINAL BLOCK (HIGH VOLTAGE) (M7)		
NS	0259K00015 WIRE ASSY, 9 PIN FEMALE (M7)		

HKSC Heater Kits with Circuit Breakers

IMAGE 1

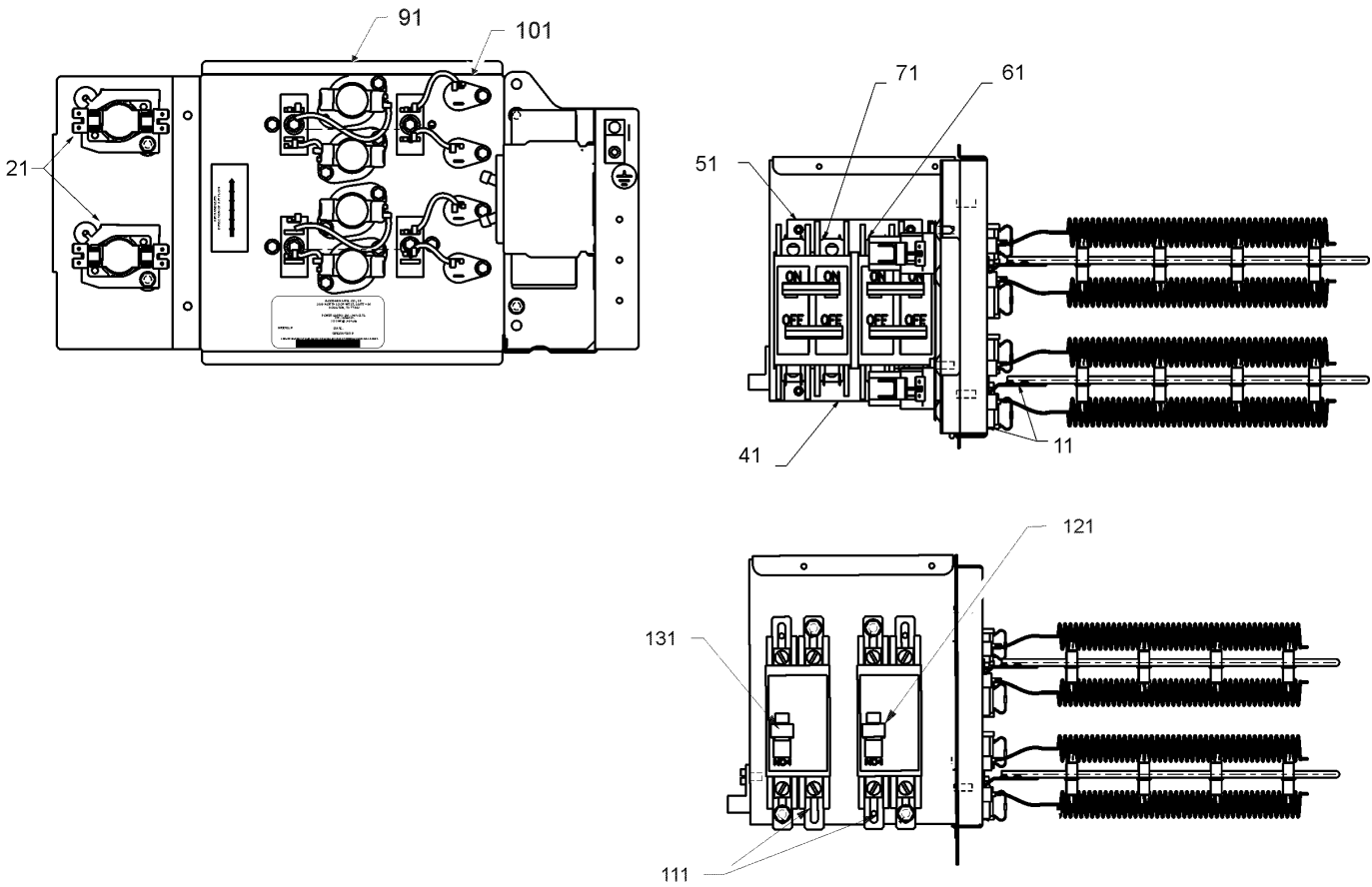
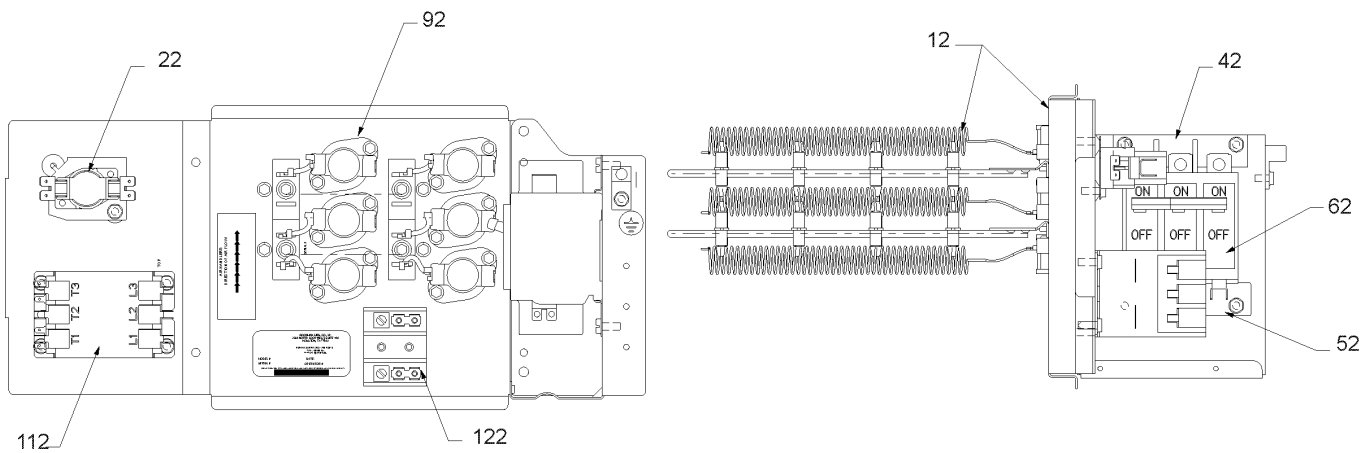


IMAGE 2

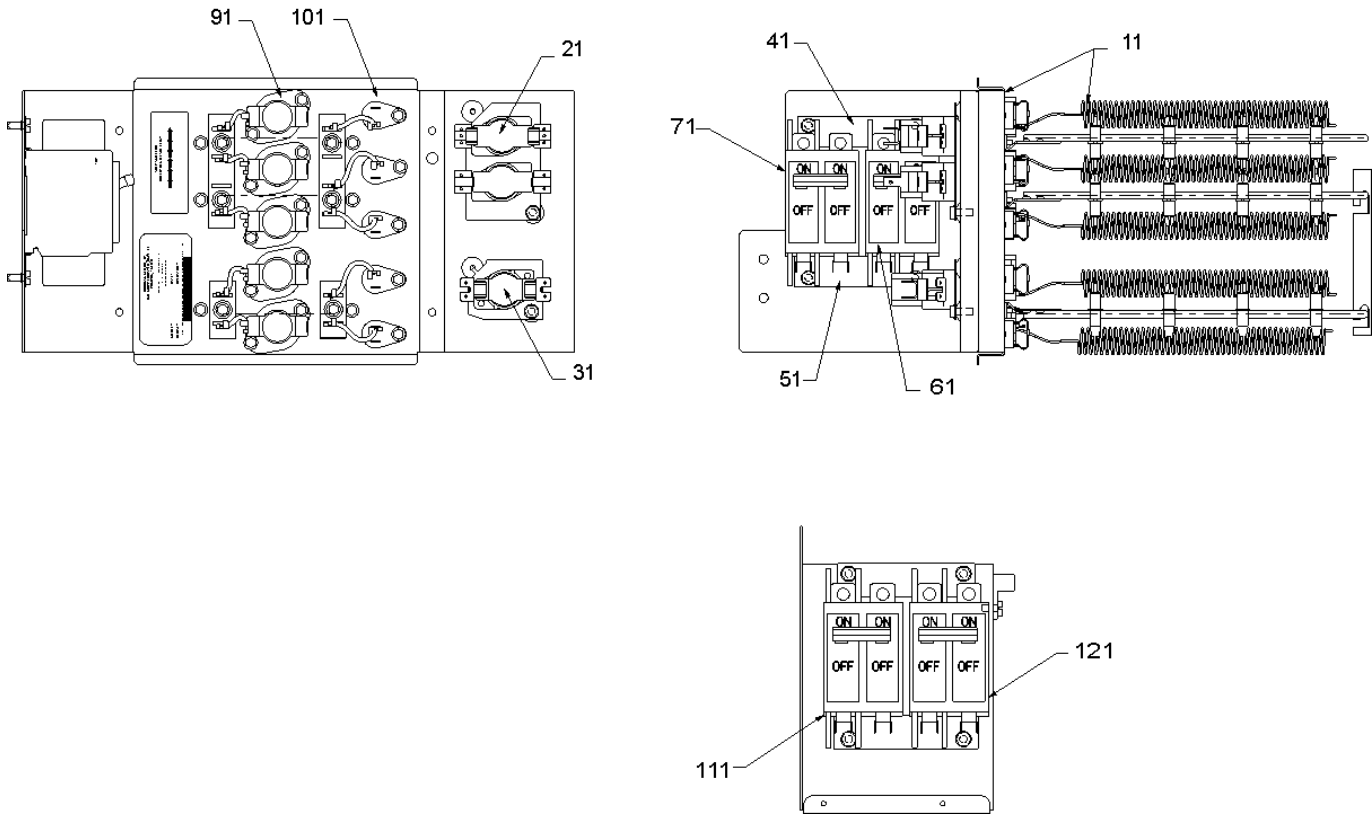


HKSC Heater Kits with Circuit Breakers

Ref. Part No: No:	Description:	Ref. Part No: No:	Description:
Image 1:		Expanded Model Nomenclature	
11	0175M00008 HEATER ELEMENT 19.20 KW (M11, M12, M13)	M1	HKSC05XCAA
11	0175M00010 HEATER ELEMENT 19.20 KW (M8, M9, M10)	M2	HKSC08XCAA
21	B1256559 SEQUENCER (M8, M9, M10, M11, M12, M13)	M3	HKSC10XCAA
41	0121A00368 MOUNTING BRACKET (M8, M9, M11, M12)	M4	HKSC15XAAA
51	0121A00369 MOUNTING BRACKET (M8, M9, M11, M12)	M5	HKSC15XBAA
61	CBK2PD240VA050 CIRCUIT BREAKER, 2 POLE, DUAL, 120/240V, 50A (M8, M11)	M6	HKSC15XBAB
61	CBK2PD240VA060 CIRCUIT BREAKER, 2 POLE, DUAL, 120/240V, 60A (M9, M12)	M7	HKSC15XFAA
71	CBK2PD240VA045 CIRCUIT BREAKER, 2 POLE, DUAL, 120/240V, 45A (M8, M11)	M8	HKSC19CAAA
71	CBK2PD240VA060 CIRCUIT BREAKER, 2 POLE, DUAL, 120/240V, 60A (M9, M12)	M9	HKSC19CBAA
91	0200-194-001P LIMIT (M8, M9, M10, M11, M12, M13)	M10	HKSC19CBAB
101	0200-086-001P FUSE LINK 93°C (M8, M9, M10, M11, M12, M13)	M11	HKSC20DAAA
111	0121A00400 2 POLE MOUNTING BRACKET (M10, M13)	M12	HKSC20DBAA
121	CBK2PD240VC060 CIRCUIT BREAKER, 2 POLE, DUAL, 120/240V, C Style, 60A (M10, M13)	M13	HKSC20DBAB
131	CBK2PD240VC050 CIRCUIT BREAKER, 2 POLE, DUAL, 120/240V, C Style, 50A (M10, M13)	M14	HKSC20XFAA
NS	0259K00012 WIRE ASSY, 9 PIN FEMALE (M8, M9, M10, M11, M12)	M15	HKSC25DCAA
		M16	HKSX03XCAA
		M17	HKSX05XCAA
		M18	HKSX06XCAA
		M19	HKSX08XCAA
		M20	HKSX10XCAA
		M21	HKSX15XFAA
		M22	HKSX20XFAA
Image 2:			
12	0175M00013 HEATER ELEMENT, 20KW, 3PHASE (M14)		
22	B1256559 SEQUENCER (M14)		
42	0121A00378 MOUNTING BRACKET (M14)		
52	0121A00379 MOUNTING BRACKET (M14)		
62	CBK3PD240VA050 CBK, 3POLE, DUAL 120/240V, 50A (M14)		
92	0200-194-001P LIMIT (M14)		
112	CONT3P060024V CONT, 3 POLE, 60 AMP, 24VAC (M14)		
122	B1368250 TERMINAL BLOCK (HIGH VOLTAGE) (M14)		
NS	0259K00015 WIRE ASSY, 9 PIN FEMALE (M14)		

HKSC Heater Kits with Circuit Breakers

IMAGE 1



HKSC Heater Kits with Circuit Breakers

Ref. Part No: No:	Description:	Ref. Part No: No:	Description:
-------------------	--------------	-------------------	--------------

Image 1:

11	0175M00014	HEATER ELEMENT, 25KW, 1PHASE (M15)
21	B1256554	SEQUENCER A48/60 20 KW (M15)
31	B1256558	SEQUENCER (M15)
41	0121A00368	MOUNTING BRACKET (M15)
51	0121A00369	MOUNTING BRACKET (M15)
61	CBK2PD240VA025	CBK, 2POLE, DUAL 120/240V, 25A (M15)
71	CBK2PD240VA045	CBK, 2POLE, DUAL 120/240V, 45A (M15)
91	0200-194-001P	LIMIT (M15)
101	0200-086-001P	FUSE LINK 93°C (M15)
111	CBK2PD240VA050	CBK, 2POLE, DUAL 120/240V, 50A (M15)
121	CBK2PD240VA080	CBK, 2POLE, DUAL 120/240V, 80A (M15)
NS	0259K00014	WIRE ASSY, 9 PIN FEMALE (M15)

Expanded Model Nomenclature

- M1 - HKSC05XCAA
- M2 - HKSC08XCAA
- M3 - HKSC10XCAA
- M4 - HKSC15XAAA
- M5 - HKSC15XBAA
- M6 - HKSC15XBAB
- M7 - HKSC15XFAA
- M8 - HKSC19CAAA
- M9 - HKSC19CBAA
- M10 - HKSC19CBAB
- M11 - HKSC20DAAA
- M12 - HKSC20DBAA
- M13 - HKSC20DBAB
- M14 - HKSC20XFAA
- M15 - HKSC25DCAA
- M16 - HKSX03XCAA
- M17 - HKSX05XCAA
- M18 - HKSX06XCAA
- M19 - HKSX08XCAA
- M20 - HKSX10XCAA
- M21 - HKSX15XFAA
- M22 - HKSX20XFAA

HK SX Heater Kits w/o Circuit Breakers

IMAGE 1

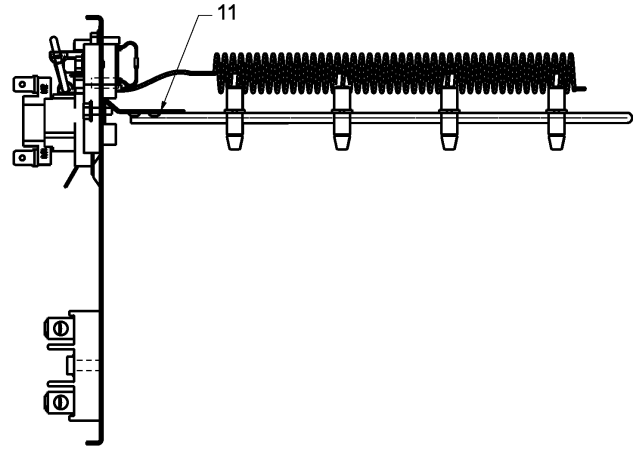
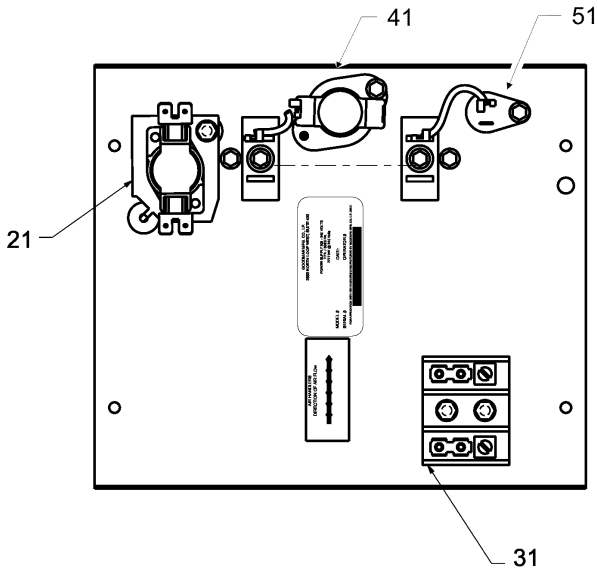
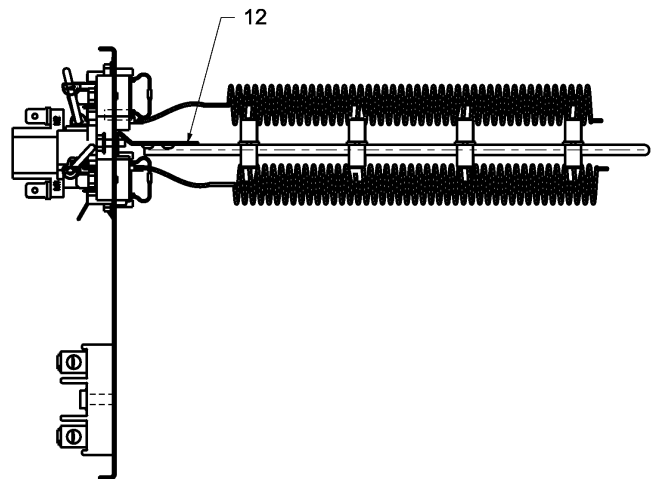
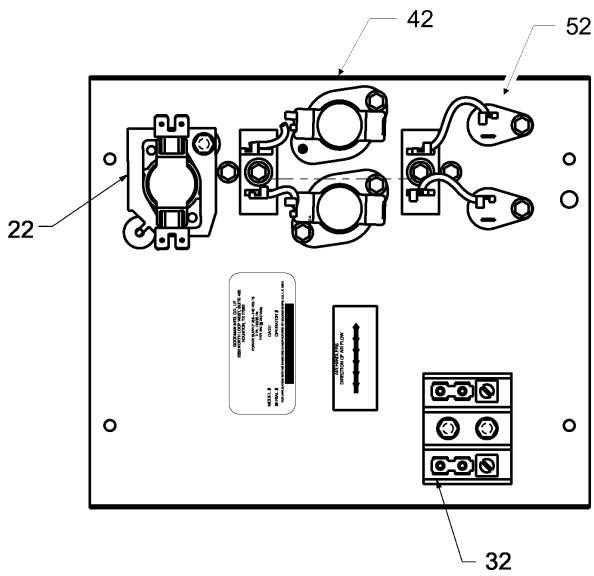


IMAGE 2



HKSX Heater Kits w/o Circuit Breakers

Ref. Part No: No:	Description:	Ref. Part No: No:	Description:
-------------------	--------------	-------------------	--------------

Image 1:

11	0175M00002	HEATER ELEMENT 3.00 KW (M16)
11	0175M00003	HEATER ELEMENT 4.80 KW (M17)
21	B1256558	SEQUENCER (M16, M17)
31	B1368250	TERMINAL BLOCK (HIGH VOLTAGE) (M16, M17)
41	0200-194-001P	LIMIT (M16, M17)
51	0200-195-001P	FUSE LINK 84°C (M16)
51	0200-086-001P	FUSE LINK 93°C (M17)
NS	0259K00011	WIRE ASSY, 9 PIN FEMALE (M16, M17)

Image 2:

12	0175M00004	HEATER ELEMENT 6.00 KW (M18)
12	0175M00005	HEATER ELEMENT 8.00 KW (M19)
12	0175M00006	HEATER ELEMENT 9.60 KW (M20)
22	B1256559	SEQUENCER (M18, M19, M20)
32	B1368250	TERMINAL BLOCK (HIGH VOLTAGE) (M18, M19, M20)
42	0200-194-001P	LIMIT (M18, M19, M20)
52	0200-086-001P	FUSE LINK 93°C (M18, M19, M20)
NS	0259K00011	WIRE ASSY, 9 PIN FEMALE (M18, M19, M20)

Expanded Model Nomenclature

M1 - HKSC05XCAA
M2 - HKSC08XCAA
M3 - HKSC10XCAA
M4 - HKSC15XAAA
M5 - HKSC15XBAA
M6 - HKSC15XBAB
M7 - HKSC15XFAA
M8 - HKSC19CAAA
M9 - HKSC19CBAA
M10 - HKSC19CBAB
M11 - HKSC20DAAA
M12 - HKSC20DBAA
M13 - HKSC20DBAB
M14 - HKSC20XFAA
M15 - HKSC25DCAA
M16 - HKSX03XCAA
M17 - HKSX05XCAA
M18 - HKSX06XCAA
M19 - HKSX08XCAA
M20 - HKSX10XCAA
M21 - HKSX15XFAA
M22 - HKSX20XFAA

HKSX Heater Kits w/o Circuit Breakers

IMAGE 1

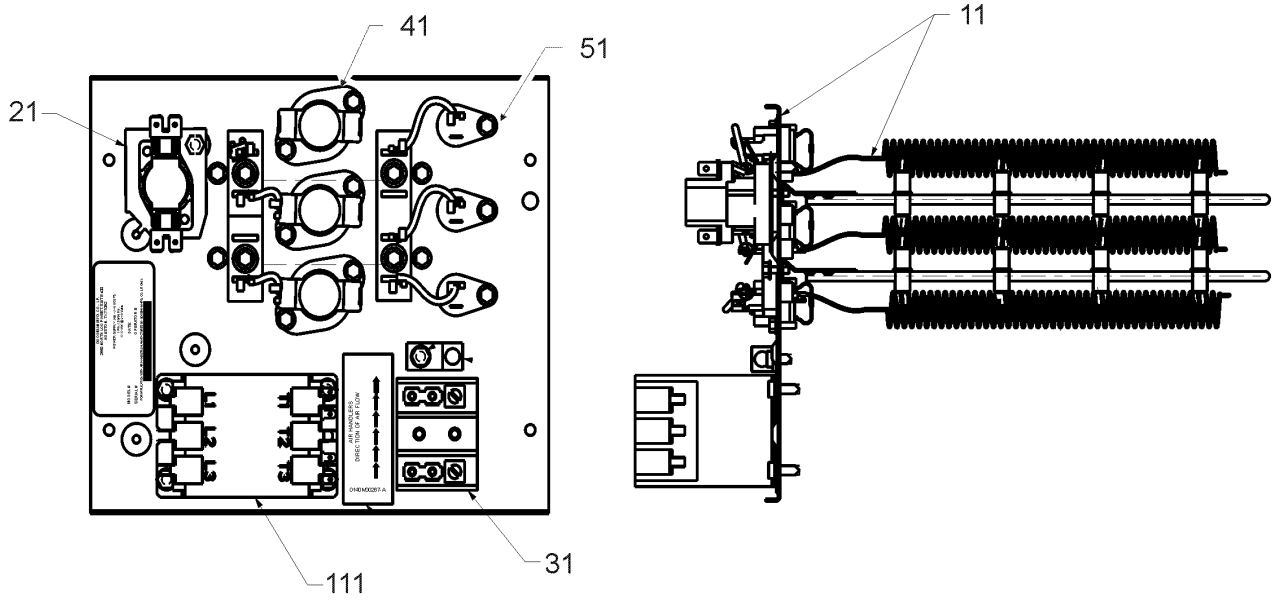
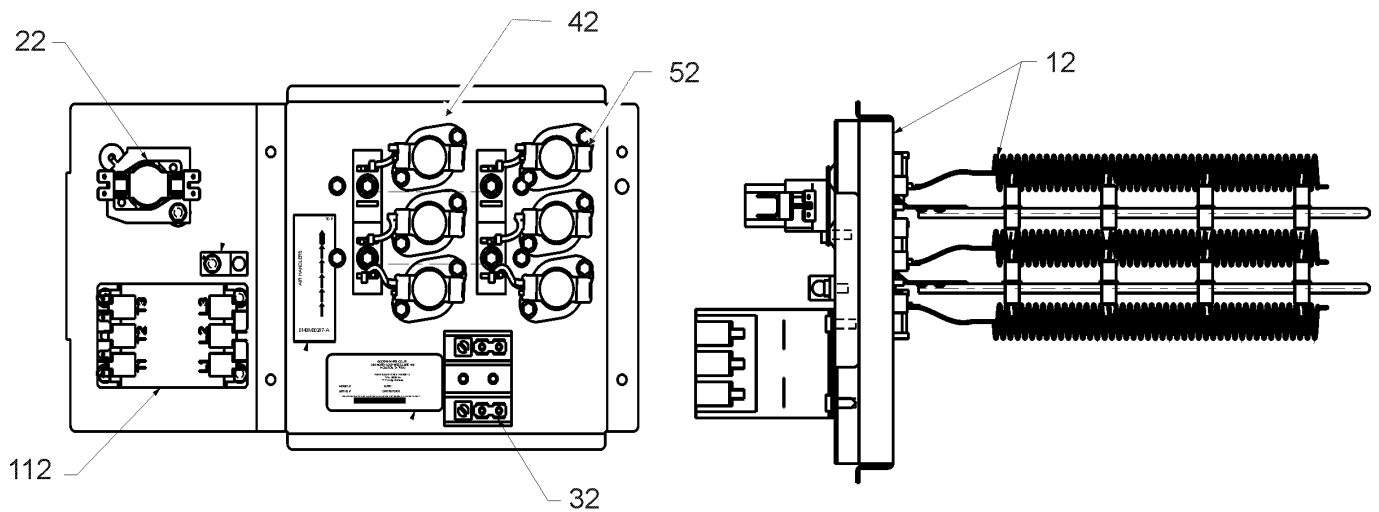


IMAGE 2



HKSX Heater Kits w/o Circuit Breakers

Ref. Part No: No:	Description:	Ref. Part No: No:	Description:
-------------------	--------------	-------------------	--------------

Image 1:

11	0175M00017	HEATER ELEMENT 14.4KW (M21)
21	B1256559	SEQUENCER (M21)
31	B1368250	TERMINAL BLOCK A-10KW (M21)
41	0200-194-001P	LIMIT (M21)
51	0200-086-001P	FUSE LINK 93°C (M21)
111	CONT3P050024V	CONT, 3 POLE, 50 AMP, 24 VAC (M21)
NS	0259K00015	WIRE ASSY, 9 PIN FEMALE (M21)

Image 2:

12	0175M00016	HEATER ELEMENT 20 KW, 3-PHASE (M22)
22	B1256559	SEQUENCER (M22)
32	B1368250	TERMINAL BLOCK A-10KW (M22)
42	0200-183-001P	LIMIT (M22)
52	0200-151-001P	ONE SHOT DEVICE (M22)
112	CONT3P060024V	CONT, 3 POLE, 50 AMP, 24 VAC (M22)
NS	0259K00015	WIRE ASSY, 9 PIN FEMALE (M22)

Expanded Model Nomenclature

- M1 - HKSC05XCAA
- M2 - HKSC08XCAA
- M3 - HKSC10XCAA
- M4 - HKSC15XAAA
- M5 - HKSC15XBAA
- M6 - HKSC15XBAB
- M7 - HKSC15XFAA
- M8 - HKSC19CAAA
- M9 - HKSC19CBAA
- M10 - HKSC19CBAB
- M11 - HKSC20DAAA
- M12 - HKSC20DBAA
- M13 - HKSC20DBAB
- M14 - HKSC20XFAA
- M15 - HKSC25DCAA
- M16 - HKSX03XCAA
- M17 - HKSX05XCAA
- M18 - HKSX06XCAA
- M19 - HKSX08XCAA
- M20 - HKSX10XCAA
- M21 - HKSX15XFAA
- M22 - HKSX20XFAA