

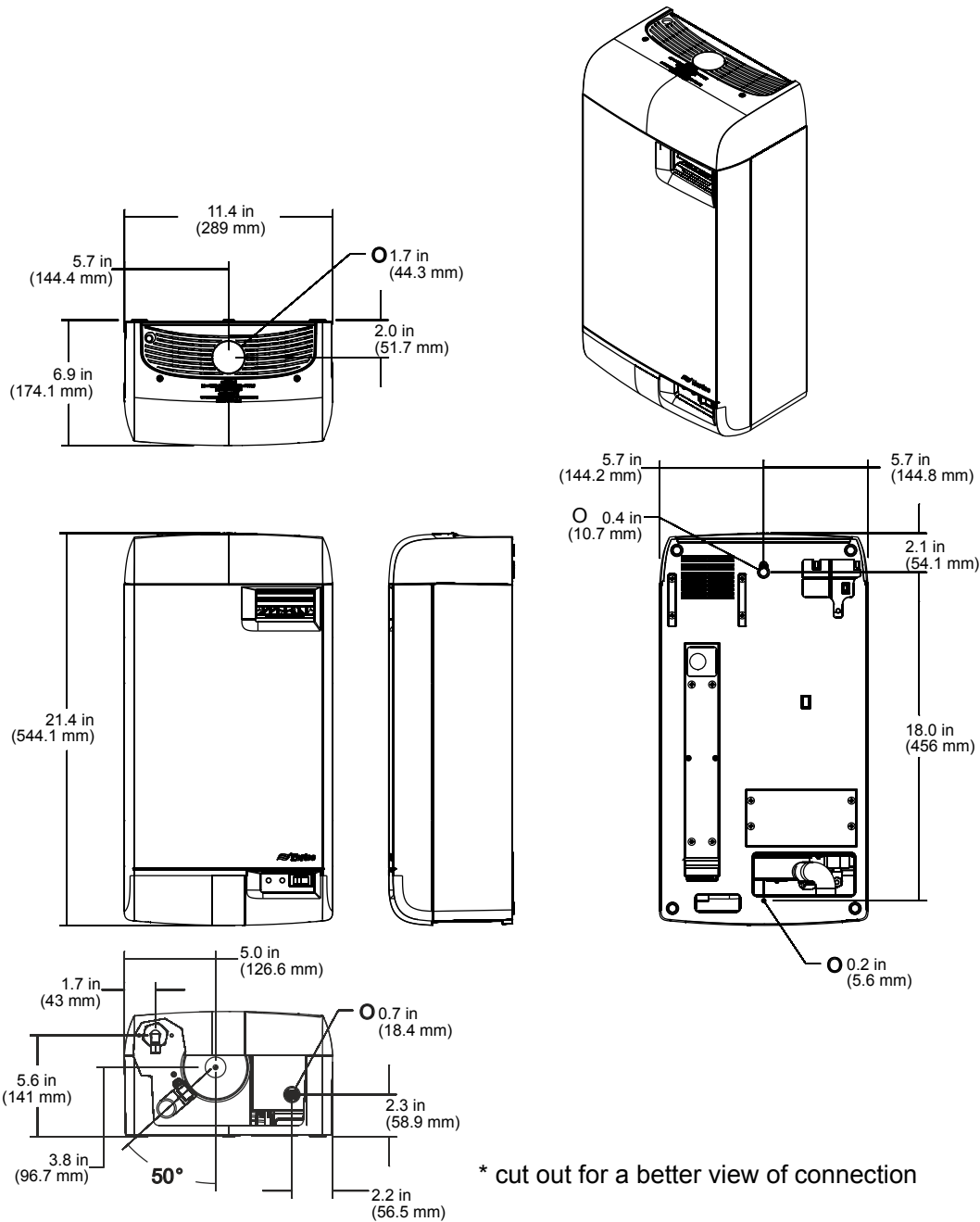


	Model			
Performance Data	HS29-240	HS29-208	HS22-240	HS11-120
Power Circuit	220-240V/1 ph/60 Hz	208V/1 ph/60 Hz	220-240V/1 ph/60 Hz	110-120V/1 ph/60 Hz
Maximum Output Capacity	28.7 GPD (10 lbs/hr)	28.7 GPD (10 lbs/hr)	21.8 GPD (7.6 lbs/hr)	10.9 GPD (3.8 lbs/hr)
Rated Input	3.8 kW	3.8 kW	2.9 kW	1.4 kW
Rated Current	15.9A	18.3A	11.9A	11.9A
Maximum Circuit Protection	20A	25A	15A	15A
Water operating pressure range	30 - 80 psi (207 - 552 kPa)			

Dimensional Data

Height	21.4 in (54.4 cm)
Width	11.4 in (29.0 cm)
Depth	6.9 in (17.5 cm)
Shipping Weight	22 lbs (10 kg)
Net Weight	16 lbs (7.5 kg)
Front Clearance	36 in (914 mm)
Supply Water OD	1/4 in (0.6 cm)
Drain Water OD	7/8 in (2.2 cm)
Steam Outlet OD	7/8 in (2.2 cm)

Clean Comfort HE Series Steam Humidifier



Proprietary Notice

This document and the information disclosed herein are proprietary data of Daikin North America LLC. Neither this document nor the information contained herein shall be reproduced, used, or disclosed to others without the written authorization of Daikin North America LLC except to the extent required for installation or maintenance of recipient's equipment.

Liability Notice

Daikin North America LLC does not accept any liability for installations of humidity equipment installed by unqualified personnel or the use of parts/components/equipment that are not authorized or approved by Daikin.

Copyright Notice

Copyright 2013, Daikin North America LLC All rights reserved.

TECHNICAL SUPPORT • 1-855-236-04461 • www.cleancomfort.com

Our continuing commitment to quality products may mean a change in specifications without notice.

© 2013 • **DAIKIN NORTH AMERICA LLC** • Houston, Texas • Printed in the USA.