

## FLOOR TYPE AIR CONDITIONERS

MFZ-KJ09NA MFZ-KJ12NA MFZ-KJ15NA MFZ-KJ18NA

### INSTALLATION MANUAL

For INSTALLER

- When installing multi units, refer to the installation manual of the multi unit for outdoor unit installation.

English

### MANUAL DE INSTALACIÓN

PARA EL INSTALADOR

- Al instalar unidades múltiples, consulte el manual de instalación de la unidad múltiple para obtener información sobre la instalación de la unidad exterior.

Español

### NOTICE D'INSTALLATION

POUR L'INSTALLATEUR

- Lors de l'installation d'unités multiples, consultez la notice d'installation des unités externes multiples.

Français

## CONTENTS

1. BEFORE INSTALLATION .....	1
2. INDOOR UNIT INSTALLATION .....	4
3. OUTDOOR UNIT INSTALLATION .....	8
4. FLARE CONNECTION, PIPE CONNECTION .....	9

5. PURGING PROCEDURES, LEAK TEST, AND TEST RUN .....	10
6. PUMPING DOWN .....	10

When installing multi units, refer to the installation manual of the multi unit for outdoor unit installation.

## Required Tools for Installation

Tube benders	5/32 in. (4 mm) hexagonal wrench
Phillips screwdriver	Flare tool for R410A
Level	Gauge manifold for R410A
Scale	Vacuum pump for R410A
Utility knife or scissors	Charge hose for R410A
3 in. (75 mm) hole saw	Pipe cutter with reamer
Torque wrench	
Wrench (or spanner)	

## 1. BEFORE INSTALLATION

## 1-1. THE FOLLOWING SHOULD ALWAYS BE OBSERVED FOR SAFETY

- Be sure to read these safety precautions and instructions.
- Be sure to observe the warnings and cautions specified here.
- After reading this manual, be sure to store it with the OPERATING INSTRUCTIONS for future reference.
- Please report to your supply authority or obtain their consent before connecting this equipment to the power supply system.

**▲ WARNING** (Could lead to death or serious injury.)

- **Do not install the unit by yourself (user).**  
Improper or incomplete installation could cause fire, electric shock, injury due to the unit falling, or water leakage. Consult a qualified installer or the dealer from whom you purchased the unit.
- **Follow the instructions detailed in the installation manual.**  
Incomplete installation could cause fire or electric shock, injury due to the unit falling, or leakage of water.
- **When installing the unit, use appropriate protective equipment and tools for safety.**  
Failure to do so could cause injury.
- **Install the unit securely in a place that can bear the weight of the unit.**  
If the installation location cannot bear the weight of the unit, the unit could fall causing injury.
- **Perform electrical work according to the installation manual and be sure to use an exclusive circuit. Do not connect other electrical appliances to the circuit.**  
If the capacity of the power circuit is insufficient or there is incomplete electrical work, it could result in a fire or an electric shock.
- **Ground the unit correctly.**  
Do not connect the ground wire to a gas pipe, water pipe, lightning rod or telephone ground. Defective grounding could cause electric shock.  
If required, take measures against leakage current.
- **Do not damage the wires.**  
Damaged wires could cause fire.
- **Be sure to shut off the main power when setting up the indoor P.C. board or wiring.**  
Failure to do so could cause electric shock.
- **Use the specified wires to securely connect the indoor and outdoor units. Attach the wires firmly to avoid applying stress to the terminal block.**  
Improper connection could cause fire.
- **Do not install the unit in a place where flammable gas may leak.**  
If gas leaks and accumulates around the unit, it could cause an explosion.
- **Do not use intermediate connection of the power cord or the extension cord. Do not connect many devices to one AC outlet.**  
It could cause a fire or an electric shock.
- **Use the parts provided or specified parts for the installation work.**  
The use of defective parts could cause an injury or leakage of water due to a fire, an electric shock, the unit falling, etc.
- **When plugging the power supply plug into the outlet, make sure that there is no dust, blockage, or loose parts both in the outlet and on the plug. Verify that the power supply plug is completely in the outlet.**  
If there is dust, blockage, or loose parts on the power supply plug or the outlet, it could cause electric shock or fire. If loose parts are found on the power supply plug, replace it.
- **Securely attach the electrical cover to the indoor unit and the service panel to the outdoor unit.**  
If the electrical cover of the indoor unit and/or the service panel of the outdoor unit are not attached securely, dust, water, etc. could collect in the unit and could cause a fire or an electric shock.
- **When installing, relocating, or servicing the unit, make sure that no substance other than the specified refrigerant (R410A) enters the refrigerant circuit.**  
Any presence of foreign substance such as air can cause abnormal pressure rise and may result in explosion or injury. The use of any refrigerant other than that specified for the system will cause mechanical failure, system malfunction, or unit breakdown. In the worst case, this could lead to a serious impediment to securing product safety.
- **Do not alter the unit.**  
It may cause fire, electric shock, injury or water leakage.
- **Do not discharge the refrigerant into the atmosphere. Check that the refrigerant gas does not leak after installation has been completed. If refrigerant leaks during installation, ventilate the room.**  
If refrigerant comes in contact with a fire, harmful gas could be generated. If refrigerant gas leaks indoors, and comes into contact with the flame of a fan heater, space heater, stove, etc., harmful gases will be generated.
- **Use appropriate tools and piping materials for installation.**  
The pressure of R410A is 1.6 times higher than R22. Not using the appropriate tools and materials, or improper installation could cause the pipes to burst causing an injury.
- **When pumping down the refrigerant, stop the compressor before disconnecting the refrigerant pipes.**  
If the refrigerant pipes are disconnected while the compressor is running and the stop valve is open, air could be drawn in and the pressure in the refrigeration cycle could become abnormally high, causing the pipes to burst.
- **When installing the unit, securely connect the refrigerant pipes before starting the compressor.**  
If the compressor is started before the refrigerant pipes are connected and the stop valve is open, air could be drawn in and the pressure in the refrigeration cycle could become abnormally high, causing the pipes to burst.
- **Fasten a flare nut with a torque wrench as specified in this manual.**  
If fastened too tight, a flare nut could break and cause refrigerant leakage.
- **Install the unit according to national wiring regulations.**

**▲ CAUTION** (Could lead to serious injury when operated incorrectly.)

- **Perform the drainage/piping work securely according to the installation manual.**  
If there is defect in the drainage/piping work, water could drip from the unit, and damage household items.
- **Do not touch the air inlet or the aluminum fins of the outdoor unit.**  
This could cause injury.
- **Do not install the outdoor unit where small animals may live.**  
If small animals enter the unit and damage its electrical parts, it could cause a malfunction, smoke emission, or fire. Keep the area around the unit clean.

## 1-2. SELECTING THE INSTALLATION LOCATION

### INDOOR UNIT

- Where airflow is not blocked.
- Where air spreads over the entire room.
- Rigid wall and flat floor without vibration.
- Where it is not exposed to direct sunlight. Do not expose to direct sunlight also during the period following unpacking to before use.
- Where easily drained.
- At a distance 3 ft. (1 m) or more away from your TV and radio. Operation of the air conditioner may interfere with radio or TV reception. An amplifier may be required for the affected device.
- In a place as far away as possible from fluorescent and incandescent lights. In order to make the infrared remote control operate the air conditioner normally. The heat from the lights may cause deformation or the ultraviolet may cause deterioration.
- Where the air filter can be removed and replaced easily.
- Where it is away from the other heat or steam source.

### REMOTE CONTROLLER

- Where it is easy to operate and easily visible.
- Where children cannot touch it.
- Select the position where the indoor unit can receive the signal from the remote controller properly. Check that signals from the remote controller are surely received by the indoor unit from that position ('beep' or 'beep beep' receiving tone sounds). After that, attach remote controller holder to a pillar or wall and install wireless remote controller.

### Note:

In rooms where inverter type fluorescent lamps are used, the signal from the wireless remote controller may not be received.

### OUTDOOR UNIT

- Where it is not exposed to strong wind.
- Where airflow is good and dustless.
- Where rain or direct sunlight can be avoided as much as possible.
- Where neighbours are not annoyed by operation sound or hot air.
- Where rigid wall or support is available to prevent the increase of operation sound or vibration.
- Where there is no risk of combustible gas leakage.
- When installing the unit at a high level, be sure to secure the unit legs.
- Where it is at least 10 ft. (3 m) away from the antenna of TV set or radio. Operation of the air conditioner may interfere with radio or TV reception in areas where reception is weak. An amplifier may be required for the affected device.
- Install the unit horizontally.
- Please install it in an area not affected by snowfall or blowing snow. In areas with heavy snow, please install a canopy, a pedestal and/or some baffle boards.

### Note:

It is advisable to make a piping loop near outdoor unit so as to reduce vibration transmitted from there.

### Note:

When operating the air conditioner in low outside temperature, be sure to follow the instructions described below.

- Never install the outdoor unit in a place where its air inlet/outlet side may be exposed directly to wind.
- To prevent exposure to wind, install the outdoor unit with its air inlet side facing the wall and a baffle board on the air outlet side.

Avoid the following places for installation where air conditioner trouble is liable to occur.

- Where flammable gas could leak.
- Where there is an excessive amount of machine oil in the air.
- Where oil is splashed or where the area is filled with oily smoke (such as cooking areas and factories, in which the properties of plastic could be changed and damaged).
- Salty places such as the seaside.
- Where sulfide gas is generated such as hot spring, sewage, waste water.
- Where there is high-frequency or wireless equipment.
- Where there is emission of high levels of VOCs, including phthalate compounds, formaldehyde, etc., which may cause chemical cracking.

## 1-3. SPECIFICATIONS

### 1-3-1. POWER SUPPLY AND INDOOR/OUTDOOR

#### WIRE CONNECTION

- Power should be taken from an exclusive branched circuit.
- Wiring work should be based on applicable technical standards.
- Wiring connections should be made following the diagram.
- Securely tighten screws.

#### Connecting wires and the ground wire

- Use solid conductor Min. AWG14 or stranded conductor Min. AWG14.
- Use double insulated copper wire with 600 V insulation.
- Use copper conductors only.
- \* Follow local electrical codes.

#### Power supply cable and ground wire

- Use solid or stranded conductor.
- KJ09/12NA Min. AWG14
- KJ15/18NA Min. AWG12
- Use copper conductors only.
- \* Follow local electrical codes.

### Note:

When the indoor unit is powered from the outdoor unit, depending on local code, a disconnect switch needs to be installed to a power supply circuit.

### 1-3-2. REFRIGERANT PIPES

- To prevent condensation, insulate the two refrigerant pipes.
- Refrigerant pipe bending radius must be 4 in. (100 mm) or more.

### CAUTION

Be sure to use the insulation of specified thickness (table on the right). Excessive insulation may cause incorrect installation of the indoor unit, and too little insulation may cause condensate to form.

- The unit has flared connections on both indoor and outdoor sides.
- Remove the valve cover from the outdoor unit, then connect the pipe.
- Refrigerant pipes are used to connect the indoor and outdoor units.
- Be careful not to crush or over bend the pipe in pipe bending.

- Refrigerant adjustment... If pipe length exceeds 25 ft. (7.5 m), additional refrigerant (R410A) charge is required. (The outdoor unit is charged with refrigerant for pipe length up to 25 ft. [7.5 m])

### Electrical specifications

MODEL	MFZ-KJ09NA MFZ-KJ12NA	MFZ-KJ15NA	MFZ-KJ18NA
<b>INDOOR UNIT</b>			
Power supply (V, PHASE, Hz)	208/230, 1, 60		
Min. Circuit Ampacity (A)	1.0		
Fan motor (F.L.A.) (A)	0.62	0.72	
<b>OUTDOOR UNIT</b>			
Power supply (V, PHASE, Hz)	208/230, 1, 60		
Max. Fuse size (time delay) (A)	15	20	
Min. Circuit Ampacity (A)	11	16	
Fan motor (F.L.A.) (A)	0.50	0.93	
Compressor	(R.L.A.) (A)	8.2	12.0
	(L.R.A.) (A)	10.3	15.0
Control voltage	Indoor unit - Remote controller: (Wireless) Indoor unit - Outdoor unit: DC12-24 V (Polar)		

	Pipe	Outside diameter	Minimum wall thickness	Insulation thickness	Insulation material
For liquid	MFZ-KJ09/12/15/18NA	1/4 (6.35)	0.0315 (0.8)	5/16 (8)	Heat resistant foam plastic 0.045 Specific gravity
For gas	MFZ-KJ09/12NA	3/8 (9.52)	0.0315 (0.8)	5/16 (8)	
	MFZ-KJ15/18NA	1/2 (12.7)	0.0315 (0.8)	5/16 (8)	

Limits		
Pipe length	MFZ-KJ09/12NA	65 ft. (20 m) max.
	MFZ-KJ15/18NA	100 ft. (30 m) max.
Height difference	MFZ-KJ09/12NA	40 ft. (12 m) max.
	MFZ-KJ15/18NA	50 ft. (15 m) max.
No. of bends	10 max.	

Pipe length	Up to 25 ft. (7.5 m)	No additional charge is required.
	Exceeding 25 ft. (7.5 m)	Additional charge is required. (Refer to the table below.)
Refrigerant to be added	MFZ-KJ09/12NA	1.08 oz each 5 ft. (20 g/m)
	MFZ-KJ15/18NA	1.62 oz each 5 ft. (30 g/m)

# 1-4. INSTALLATION DIAGRAM

## ACCESSORIES

Check the following parts before installation.  
<Indoor unit>

(1)	Drain hose *1	1
(2)	Remote controller holder	1
(3)	Screws for (2) 3.5 × 16 mm (Black)	2
(4)	Pipe cover	1
(5)	Band	2
(6)	Battery (AAA) for (12)	2
(7)	Indoor unit mounting bracket	1
(8)	Fixing screws for (7) 4 × 25 mm	5
(9)	Wood screw for indoor unit fixation	4
(10)	Washer of (9)	4
(11)	Felt tape (For left or left-rear piping)	1
(12)	Wireless remote controller	1

### Note:

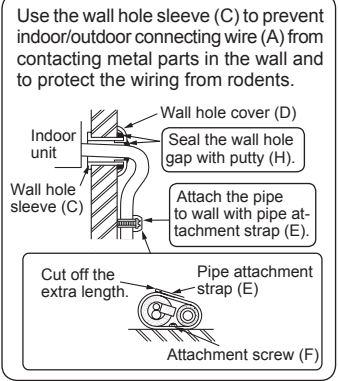
\*1 The Drain hose is connected to the unit.

## FIELD-SUPPLIED PARTS

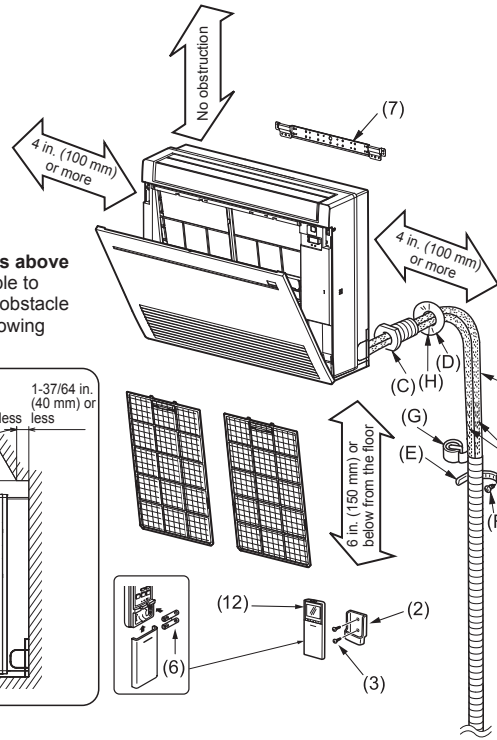
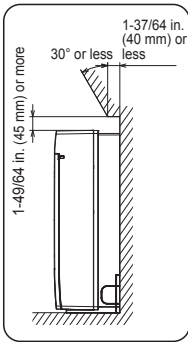
(A)	Indoor/outdoor unit connecting wire *2	1
(B)	Extension pipe	1
(C)	Wall hole sleeve	1
(D)	Wall hole cover	1
(E)	Pipe fixing band	2 to 5
(F)	Fixing screw for (E) 4 × 20 mm	2 to 5
(G)	Piping tape	1
(H)	Putty	1
(J)	Drain hose (or soft PVC hose, 19/32 in. (15 mm) inner diameter or hard PVC pipe VP16)	1
(K)	Refrigeration oil	1
(L)	Power supply cord *2	1

### Note:

\*2 Place indoor/outdoor unit connecting wire (A) and power supply cord (L) at least 3 ft. (1 m) away from the TV antenna wire.



**Obstacles above**  
It's possible to install an obstacle to the following area.

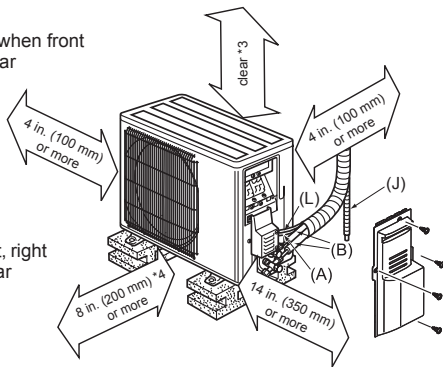


After the leak test, apply insulating material tightly so that there is no gap.

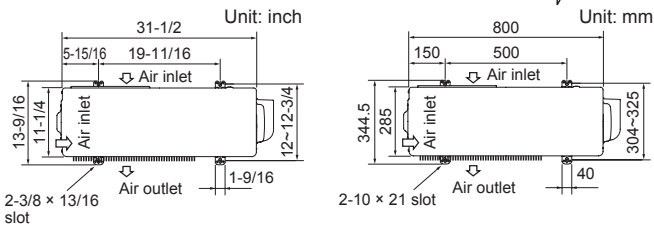
When the piping is to be attached to a wall comprised of tin plate or metal netting, use chemically treated wooden piece 25/32 in. (20 mm) or thicker between the wall and the piping, or wrap insulation vinyl tape 7 to 8 turns around the piping.  
To use existing piping, perform COOL operation for 30 minutes and pump down before removing the old air conditioner. Remake flare according to the dimension for new refrigerant.

## <KJ09/12>

\*3 4 in. (100 mm) or more when front and sides of unit are clear



\*4 When any 2 sides of left, right and rear of unit are clear



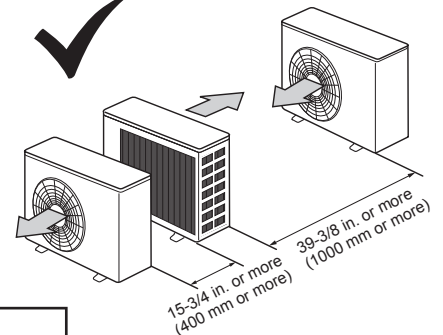
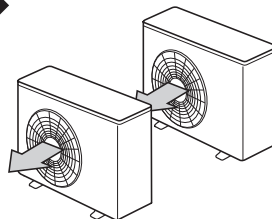
Units should be installed by licensed contractor according to local code requirements.

### Note:

- The dimensions indicated in the arrows (↔) above show the required space to guarantee performance of the air conditioner. Install the outdoor unit where the maximum possible space can be provided, considering later relocation, services, or repairs.
- The cooling/heating performance and the efficiency of power usage may fall about 10% at the place where short cycle is likely occur due to poor ventilation. Installing the air outlet guide (optional) can improve performances.
- If air from the outlet blows against the wall, it may cause stains on the wall.

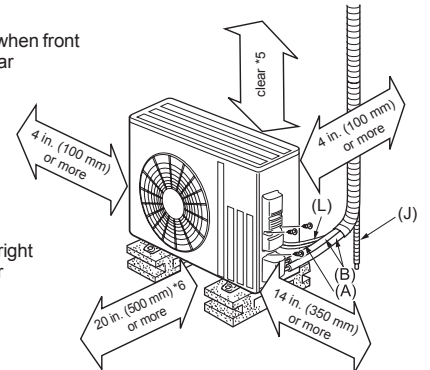


Do not take in the outlet air discharged by other units directly.

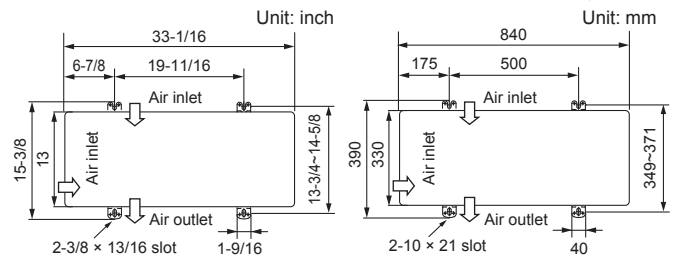


## <KJ15/18>

\*5 20 in. (500 mm) or more when front and sides of unit are clear



\*6 When any 2 sides of left, right and rear of unit are clear



## Drain piping for outdoor unit

Install the unit horizontally.

Do not use drain socket in cold regions. Drain may freeze and make the fan stop.

The outdoor unit produces condensate during the heating operation. Select the installation place to ensure to prevent the outdoor unit and/or the grounds from being wet by drain water or damaged by frozen drain water.

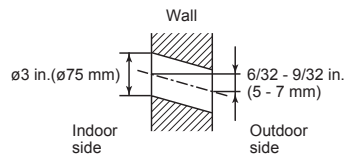
## 2. INDOOR UNIT INSTALLATION

### 2-1. FIXING OF INDOOR UNIT MOUNTING BRACKET

- Find a structural material (such as a stud) in the wall and fix bracket (7) horizontally with fixing screws (8).
- To prevent bracket (7) from vibrating, be sure to install the fixing screws in the holes indicated in the illustration. For added support, fixing screws may also be installed in other holes.

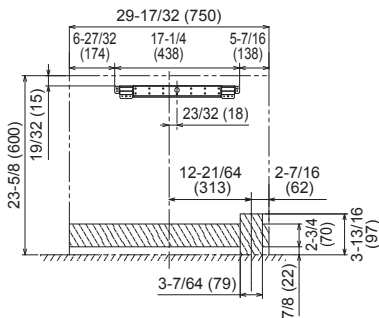
### 2-2. HOLE DRILLING

- 1) Determine the wall hole position.
- 2) Drill a  $\phi 3$  in. ( $\phi 75$  mm) hole. The outdoor side should be  $6/32$  to  $9/32$  in. (5 to 7 mm) lower than the indoor side.
- 3) Insert wall hole sleeve (C).

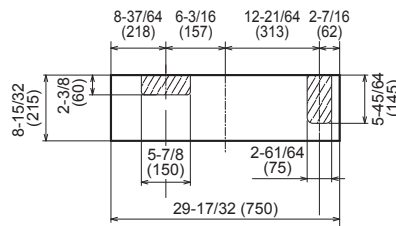


#### HOLE POSITIONS

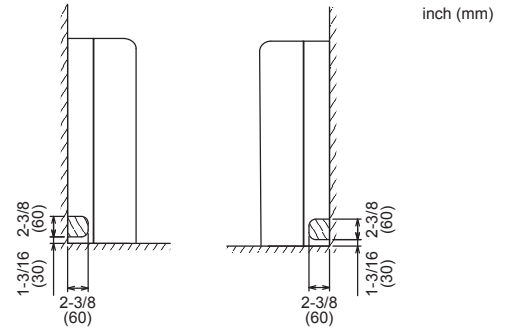
**FOR REAR OR LEFT-REAR PIPING**  
(The following figure is a front view of the indoor unit installation location.)



**FOR RIGHT DOWNWARD OR LEFT DOWNWARD PIPING**  
(The following figure is a view of the bottom of the indoor unit from above.)



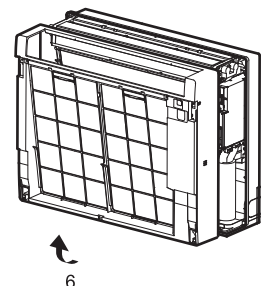
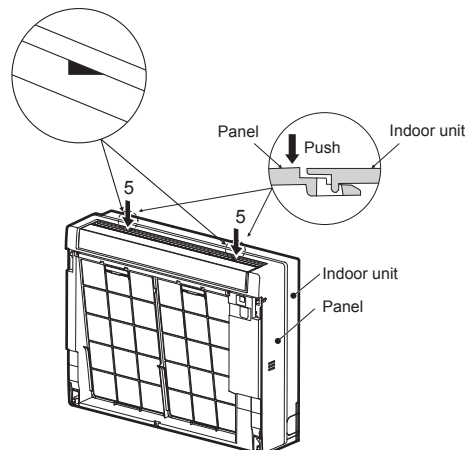
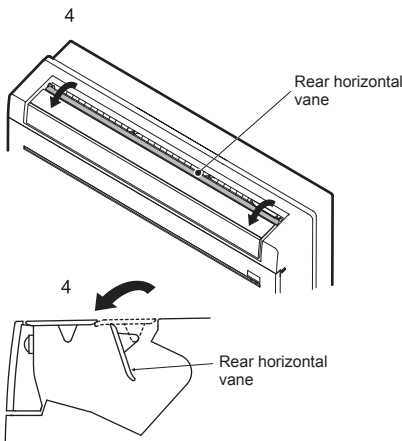
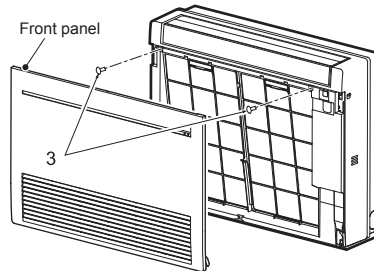
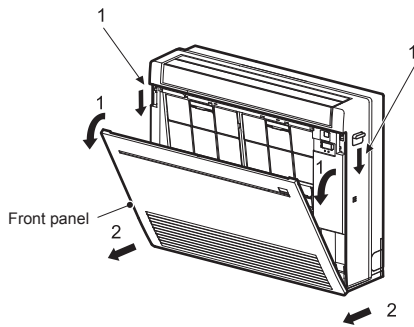
**FOR LEFT PIPING FOR RIGHT PIPING**



### 2-3. INDOOR UNIT PREPARATION

Remove the front panel of the indoor unit.

- 1) Push down the tab on the both sides of the unit to open the front panel.
- 2) Pull the front panel toward you to remove it.
- 3) Remove the 2 screws.
- 4) Open the rear horizontal vane.
- 5) Push the 2 locations on the top of the panel, and then pull the upper part of the panel toward you.
- 6) Remove the panel while lifting it up (slightly).



## 2-4. INDOOR UNIT INSTALLATION

### 2-4-1. INSTALLING THE INDOOR UNIT ON THE FLOOR

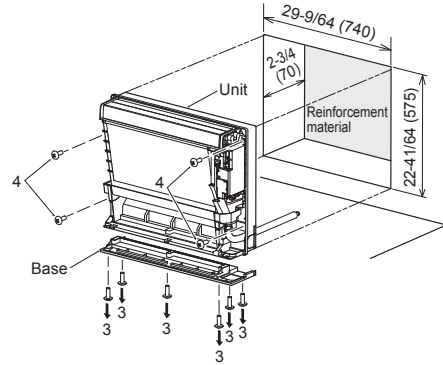
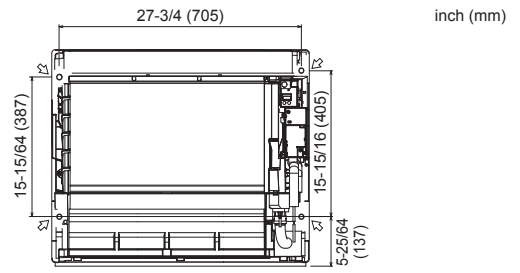
1. Place the indoor unit on the flat floor.
2. Fix the indoor unit at 4 points with the included wood screws (9) and washers (10). Tighten the screws securely.

### 2-4-2. MOUNTING THE INDOOR UNIT ON THE WALL

1. Hook the top of the indoor unit on the indoor unit mounting bracket (7).
2. Fix the indoor unit at 4 points with the included wood screws (9) and washers (10). Tighten the screws securely.

### 2-4-3. EMBEDDING THE INDOOR UNIT IN A WALL

1. Make a hole in the wall.
2. Using reinforcement material, adjust the depth.
3. Remove 6 screws that fix the base to the unit. Remove the base from the unit.
4. Fix the indoor unit at 4 points with the included wood screws (9) and washers (10). Tighten the screws securely.



## 2-5. PIPE FORMING AND INSTALLATION

Note: Refer to 4. FLARE CONNECTION, PIPE CONNECTION.

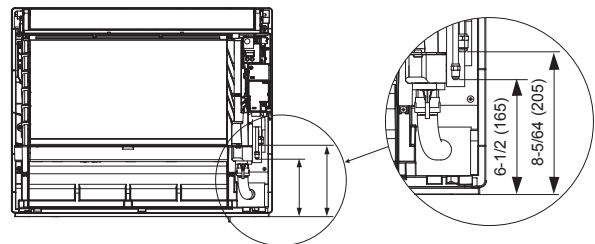
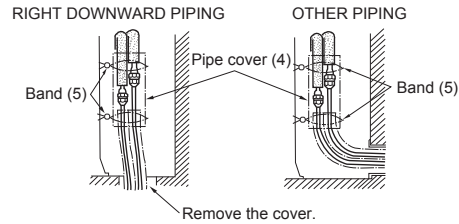
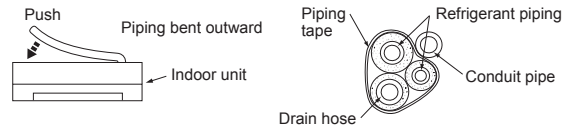
### Pipe Forming

- Route the drain hose diagonally below the connecting pipes.
- Make sure that the drain hose is not routed upward and that there are no waves in the hose.
- Do not pull the hose when applying the tape.
- Route the piping so that it does not project past the rear of the indoor unit. (Refer to the figure to the right.)

### Connecting Pipe Installation

- Install the connecting pipes so that the piping can move slightly to the front, back, left, and right.

- Be sure to insulate the connecting pipes so that they do not contact the panel.
- Be careful not to crush the connecting pipes when bending them. (Use a tube benders for left or right piping.)
- The pipe cover cannot be attached without connecting the conduit pipe after connecting the pipes.



### FOR LEFT OR LEFT-REAR PIPING

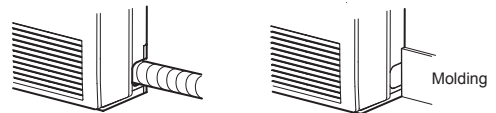
Bundle the connecting pipes and drain hose together, and then wrap them in felt tape (11).

Cut and use the lower side panels on the left and right sides of the indoor unit as shown below.

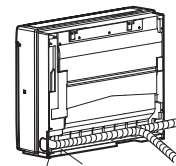
Smooth the cut edges of the side panels so that they will not damage the insulation coating.

- For left or right piping
- Installing flush against a wall with molding

Wrap the felt tape (11) tightly around the pipes and hose starting near where the pipes and hose are routed from the indoor unit. (The overlap width of the felt tape (11) should not be more than 1/2 of the tape width.)



Cut the lower side panels to match the height of the molding.



Start wrapping the piping tape (G) around the pipes and hose 25/64 in. (10 mm) inside the indoor unit.

Fasten the end of the felt tape (11) with a bandage stopper.

Felt tape (11) Make sure that the drain hose is not routed upward.

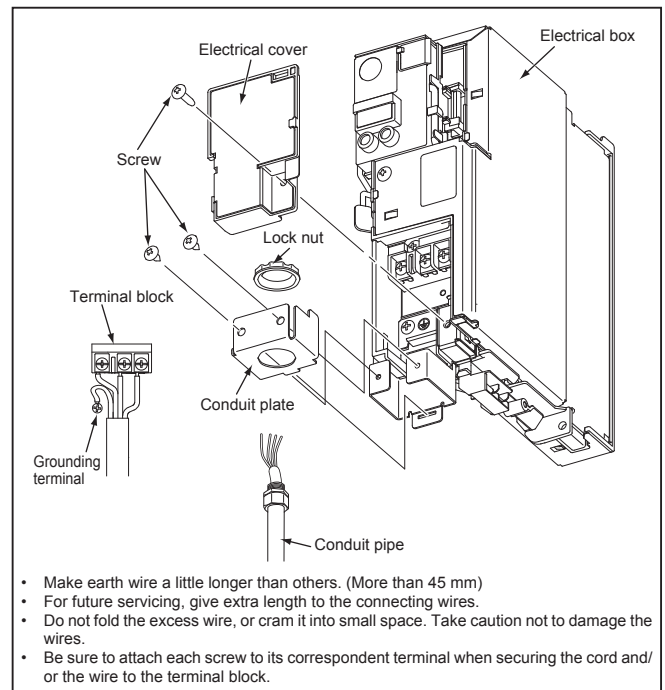
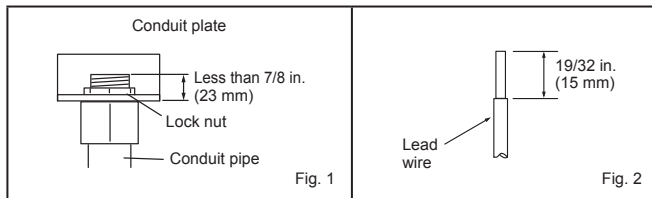
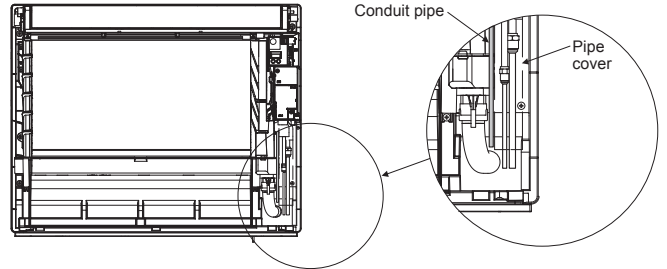
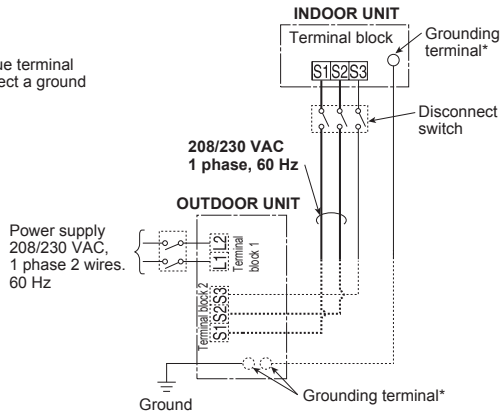
## 2-6. CONNECTING WIRES FOR INDOOR UNIT

**Note:** The unit should be installed by a licensed contractor/electrician. If required by applicable national, state and local codes; a disconnect switch will need to be installed when the indoor unit is powered from the outdoor unit.

- 1) Remove the electrical cover.
- 2) Remove the conduit plate.
- 3) Attach the conduit pipe to the conduit plate with the lock nut. The indoor/outdoor unit connecting wire (A) appearing from the inside of conduit pipe should be less than 7/8 in. (23 mm). (Fig. 1)
- 4) Process the end of ground wire (Fig. 2). Connect it to the ground terminal of the electrical parts box.
- 5) Process the end of indoor/outdoor unit connecting wire (A) (Fig. 2). Attach it to the terminal block. Be careful not to make mis-wiring. Attach the wire to the terminal block securely so that its core cannot be seen, and no external force affects the connecting section of the terminal block.
- 6) Firmly tighten the terminal screws. After tightening, verify that the wires are tightly fastened.
- 7) Reinstall the conduit plate.
- 8) Reinstall the electrical cover.

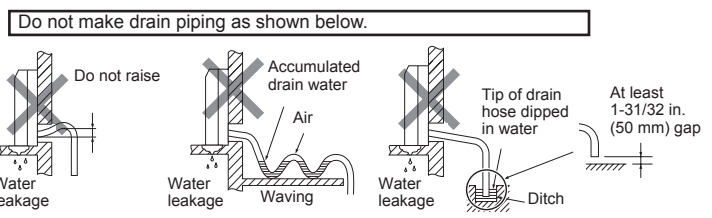
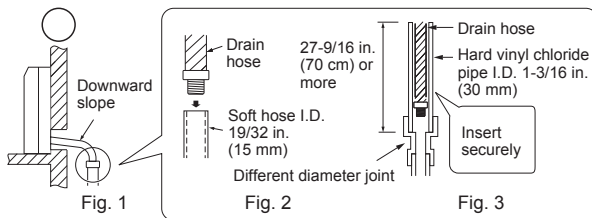
**Remark:**

\* Use a ring tongue terminal in order to connect a ground wire to terminal.



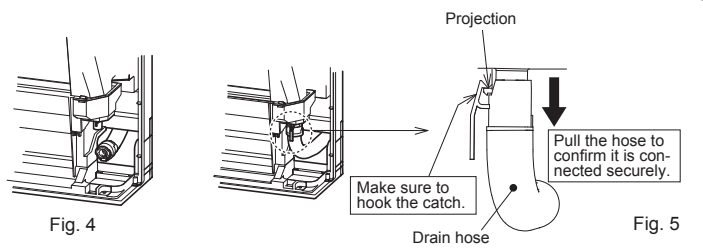
## 2-7. DRAIN PIPING

- If the extension drain hose has to pass through a room, be sure to wrap it with commercially sold insulation.
- The drain hose should point downward for easy drain flow. (Fig. 1)
- If the drain hose provided with the indoor unit is too short, connect it with drain hose (J) that should be provided at your site. (Fig. 2)
- When connecting the drain hose to the hard vinyl chloride pipe, be sure to insert it securely into the pipe. (Fig. 3)



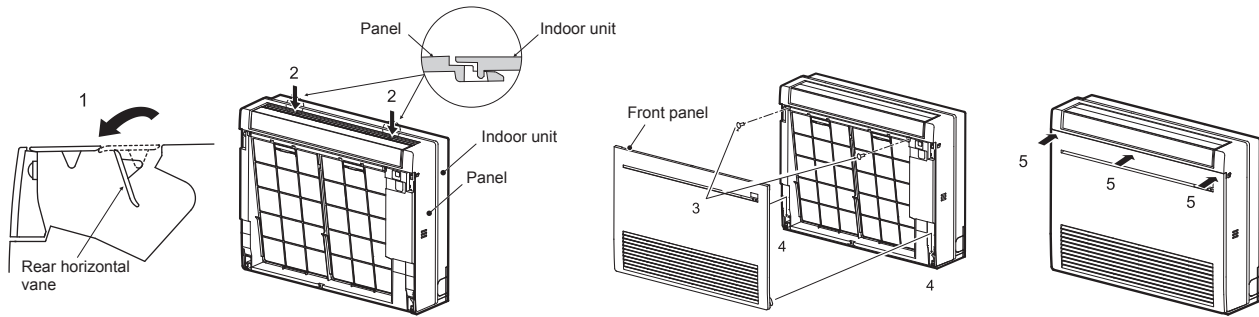
**The Drain hose is removed at installation.**

- When routing the drain piping, make sure that the drain hose (1) is routed as shown. (Fig. 4)
- Insert the drain hose all the way to the base of the drain pan (end connection). (Fig. 5) Make sure that the catch of the drain hose is securely hooked onto the projection on the hose fitting of the drain pan.
- After connecting the drain hose, be sure to pull the hose to confirm that it is connected securely.



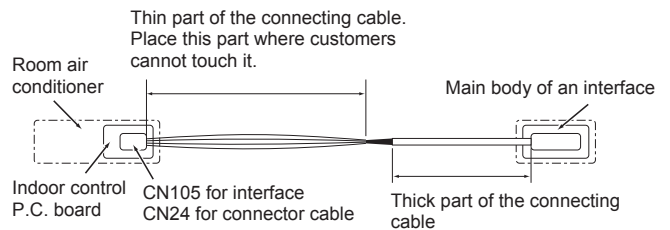
## 2-8. FRONT PANEL INSTALLATION

- 1) Open the rear horizontal vane.
- 2) Attach the panel. Make sure that the catches are engaged.
- 3) Fix the panel with screws.
- 4) Insert the bottom part of the front panel.
- 5) Push 3 places on the upper part of the front panel to close it.



## 2-9. CONNECTING AN INTERFACE (option)/CONNECTOR CABLE (option) TO THE AIR CONDITIONER

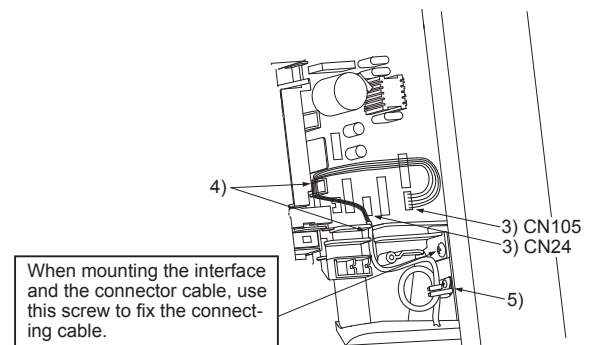
- Connect an interface/connector cable to the indoor control P.C. board of an air conditioner with a connecting cable.
- Cutting or extending the connecting cable of the interface/connector cable results in defects in connecting. Do not bundle the connecting cable together with power supply cord, indoor/outdoor connecting wire, and/or earth wire. Keep as much distance as possible between the connecting cable and those wires.
- The thin part of the connecting cable should be stored and placed where customers cannot touch it.



- 1) Remove the panel.
- 2) Open the cover of the indoor control P.C. board.
- 3) Join the connecting cable to CN105 and/or CN24 on the indoor control P.C. board.
- 4) Route the connecting cable through this point in the figure.
- 5) Attach the cable clamp provided with interface/connector cable to the thick part of the connecting cable with a screw 4×16 as shown in the figure.
- 6) Close the cover of the indoor control P.C. board. Be careful not to catch the thin part of the connecting cable in the cover. Reinstall the panel.

### **⚠ WARNING**

**Fix the connecting cable at the prescribed position securely. Incorrect installation may cause electric shock, fire, and/ or malfunction.**

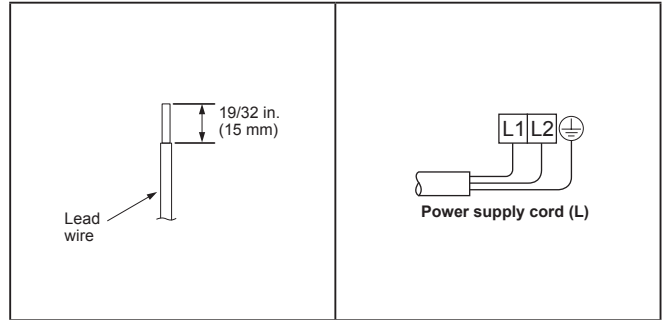




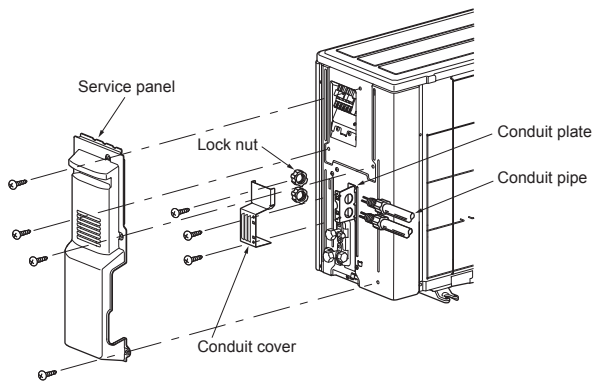
## 3. OUTDOOR UNIT INSTALLATION

### 3-1. CONNECTING WIRES FOR OUTDOOR UNIT

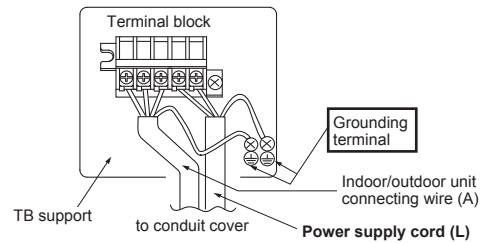
- 1) Remove the service panel.
- 2) Remove the conduit cover.
- 3) Attach the conduit connectors to the conduit plate with lock nuts then secure it against unit with screws.
- 4) Connect the ground wires of indoor/outdoor unit connecting wire (A) and power supply cord (L) to the TB support.
- 5) Loosen the terminal screws, then attach indoor/outdoor unit connecting wire (A) and power supply cord (L) from the indoor unit correctly to the terminal block. Attach the wires to the terminal block securely so that the cores cannot be seen, and no external force affects the connecting section of the terminal block.
- 6) Firmly tighten the terminal screws. After tightening, verify that the wires are tightly fastened.
- 7) Install the conduit cover.
- 8) Install the service panel securely.



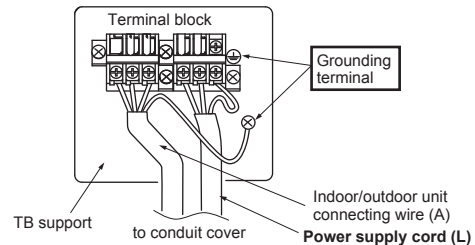
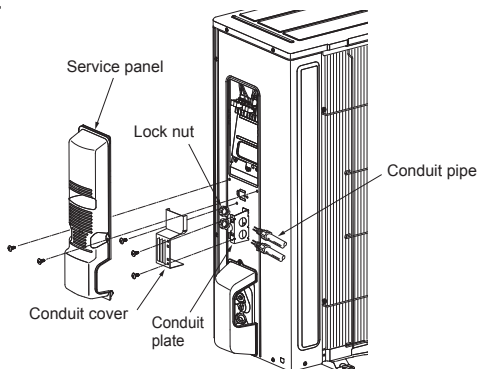
<KJ09/12>



- Make earth wire a little longer than others. (More than 4 in. [100 mm])
- For future servicing, leave some slack in the connecting wires.
- Be sure to attach each screw to its correspondent terminal when securing the cord and/or the wire to the terminal block.



<KJ15/18>



### 3-2. PIPE FORMING AND INSTALLATION

Note: Refer to 4. FLARE CONNECTION, PIPE CONNECTION.

### 3-3. INSULATION AND TAPING

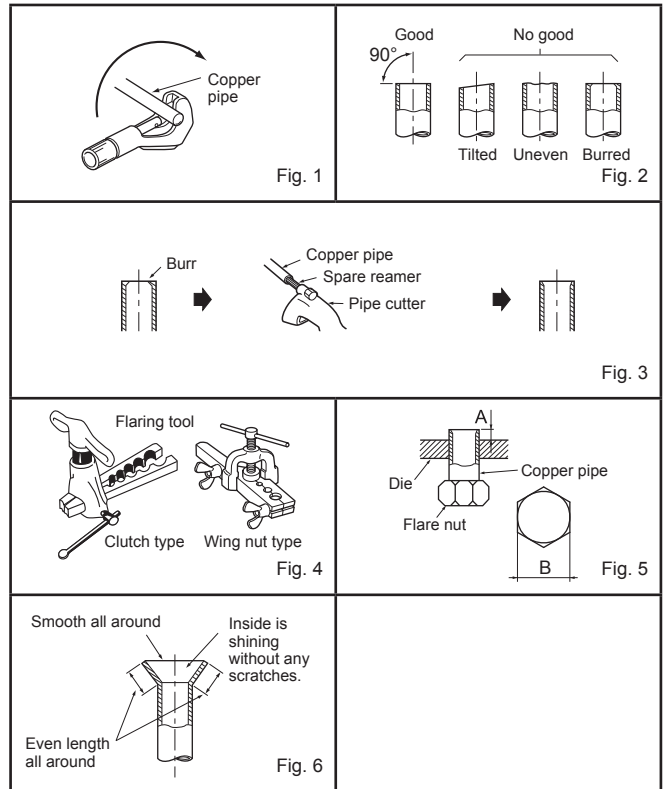
- 1) Cover piping joints with pipe cover.
- 2) For outdoor unit side, insulate the piping, including valves.
- 3) Apply piping tape (G) starting from the connection on the outdoor unit.
  - When piping has to be installed through a ceiling, closet or where the temperature and humidity are high, use additional field-supplied insulation to prevent condensation.

## 4. FLARE CONNECTION, PIPE CONNECTION

### 4-1. FLARE CONNECTION

- 1) Cut the copper pipe as straight as possible with a pipe cutter. (Fig. 1, 2)
- 2) Remove all burrs from the cut section of the pipe, ensuring that precautions are taken to avoid getting metal shavings into the piping. (Fig. 3)
- 3) Remove flare nuts attached to indoor and outdoor units, then put them on pipe.
- 4) Flaring work (Fig. 4, 5). Firmly hold copper pipe in the dimension shown in the table. Select A inch (mm) from the table according to the tool you use.
- 5) Check
  - Compare the flared work with Fig. 6.
  - If flare is defective, cut off the section and repeat procedure.

Pipe diameter inch (mm)	B inch (mm)	A inch (mm)			Tightening torque	
		Clutch type tool for R410A	Clutch type tool for R22	Wing nut type tool for R22	ft-lb (kgf·cm)	N·m
ø 1/4 (6.35)	21/32 (17)	0 to 0.02 (0 to 0.5)	0.04 to 0.06 (1.0 to 1.5)	0.06 to 0.08 (1.5 to 2.0)	10 to 13 (140 to 180)	13.7 to 17.7
ø 3/8 (9.52)	7/8 (22)			25 to 30 (350 to 420)	34.3 to 41.2	
ø 1/2 (12.7)	1-1/32 (26)			36 to 42 (500 to 575)	49.0 to 56.4	
ø 5/8 (15.88)	1-5/32 (29)			54 to 58 (750 to 800)	73.5 to 78.4	



### 4-2. PIPE CONNECTION

- Fasten flare nut with a torque wrench as specified in the table.
- When fastened too tight, flare nut may eventually break and cause refrigerant leakage.
- Be sure to wrap insulation around the piping. Direct contact with the bare piping may result in burns or frostbite.

#### Indoor unit connection

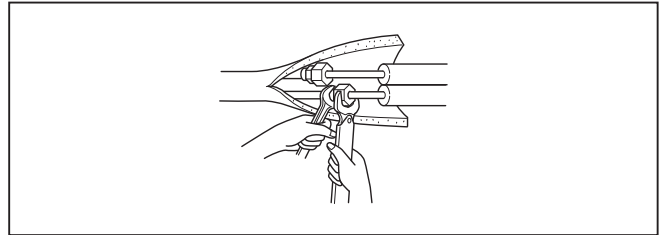
Connect both liquid and gas pipings to indoor unit.

- Apply a thin coat of refrigeration oil (K) on the flared ends of the pipes. Do not apply refrigeration oil on screw threads. Excessive tightening torque will result in damage on the screw.
- To connect, first align the center, then tighten the first 3 to 4 turns of flare nut.
- Use tightening torque table above as a guideline for indoor unit side joints, and tighten using two wrenches. Excessive tightening damages the flare section.

#### Outdoor unit connection

Connect pipes to stop valve pipe joint of the outdoor unit following the same procedure detailed in indoor unit connection.

- For tightening, use a torque wrench or spanner.



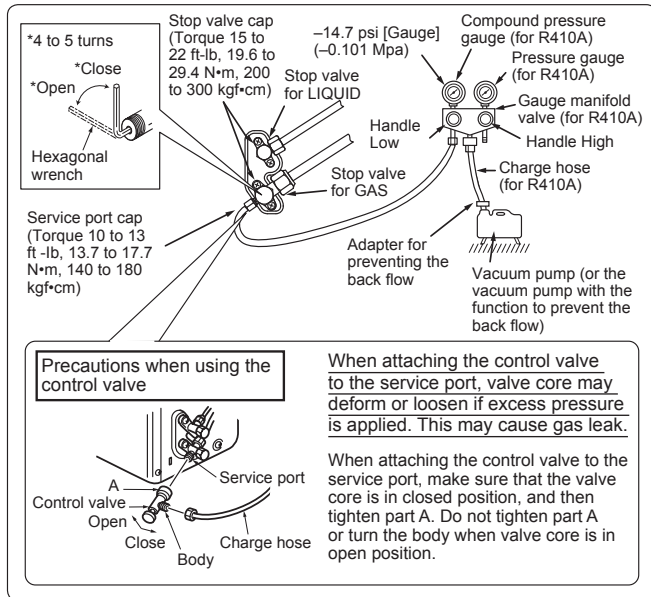
#### ⚠ WARNING

When installing the unit, securely connect the refrigerant pipes before starting the compressor.

## 5. PURGING PROCEDURES, LEAK TEST, AND TEST RUN

### 5-1. PURGING PROCEDURES AND LEAK TEST

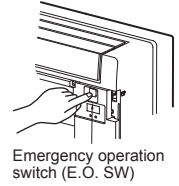
- 1) Remove service port caps from stop valves on both sides of refrigerant lines. (The stop valves are fully closed when shipped.) Leave closed.
- 2) Connect gauge manifold to ports of stop valves.



- 3) Evacuate the system to 4000 microns from both service valves. System manifold gauges must not be used to measure vacuum. A micron gauge must be used at all times. Break the vacuum with Nitrogen(N<sub>2</sub>) into the discharge service valve to 0 PSIG.
- 4) Evacuate the system to 1500 microns. Break the vacuum with Nitrogen(N<sub>2</sub>) into the discharge service valve to 0 PSIG.
- 5) Evacuate the system to 500 microns.
- 6) Close gauge manifold valves, stop the pump, and conduct a 30 minute rise test.
- 7) System should hold 500 microns for a minimum of 1 hour.
- 8) Fully open all stop valves on both sides of gas pipe and liquid pipe. Operating without fully opening lowers the performance and this causes trouble.
- 9) Refer to 1-3 and charge the prescribed amount of additional refrigerant if needed. Be sure to charge slowly with liquid refrigerant. Otherwise composition of the refrigerant in the system may be changed and affect performance of the air conditioner.
- 10) Remove gauge manifolds and replace service port caps and tighten.
- 11) Leak test

### 5-2. TEST RUN

- 1) Insert power supply plug into the power outlet and/or turn on the breaker.
- 2) Press the E.O. SW once for COOL, and twice for HEAT operation. Test run will be performed for 30 minutes. If the left lamp of the operation indicator blinks every 0.5 seconds, inspect the indoor/outdoor unit connecting wire (A) for mis-wiring. After the test run, emergency mode (set temperature 75°F [24°C]) will start.
- 3) To stop operation, press the E.O. SW several times until all LED lamps turn off. Refer to operating instructions for details.



#### Checking the remote (infrared) signal reception

Press the OFF/ON button on the remote controller (12) and listen for an audible indicator from the indoor unit. Press the OFF/ON button again to turn the air conditioner off.

- Once the compressor stops, the restart preventive device operates so the compressor will not operate for 3 minutes to protect the air conditioner.

### 5-3. AUTO RESTART FUNCTION

This product is equipped with an auto restart function. When the power supply is cut off during operation, such as during blackouts, the function automatically starts operation in the previous setting once the power supply is resumed. (Refer to the operating instructions for details.)

#### Caution:

- After test run or remote signal reception check, turn off the unit with the E.O. SW or the remote controller before turning off the power supply. If this procedure is not performed, the unit will automatically begin operation when power supply is resumed.

#### To the user

- After installing the unit, explain to the user about auto restart function.
- If auto restart function is unnecessary, it can be deactivated. Consult the service representative to deactivate the function. Refer to the service manual for details.

### 5-4. EXPLANATION TO THE USER

- Using the OPERATING INSTRUCTIONS, explain to the user how to use the air conditioner (the remote controller, removing the air filters, placing or removing the remote controller from the remote controller holder, cleaning methods, precautions for operation, etc.)
- Recommend that the user read the OPERATING INSTRUCTIONS carefully.

## 6. PUMPING DOWN

When relocating or disposing of the air conditioner, pump down the system following the procedure below so that refrigerant is not released into the atmosphere.

- 1) Connect the gauge manifold valve to the service port of the stop valve on the gas pipe side of the outdoor unit.
- 2) Fully close the stop valve on the liquid pipe side of the outdoor unit.
- 3) Close the stop valve on the gas pipe side of the outdoor unit almost completely so that it can be easily closed fully when the pressure gauge shows 0 psi [Gauge] (0 Mpa).
- 4) Start the emergency COOL operation.  
To start the emergency operation in COOL mode, disconnect the power supply plug and/or turn off the breaker. After 15 seconds, connect the power supply plug and/or turn on the breaker, and then press the E.O. SW once. (The emergency COOL operation can be performed continuously for up to 30 minutes.)
- 5) Fully close the stop valve on the gas pipe side of the outdoor unit when the pressure gauge shows (0.1 to 0 psi [Gauge]) (0.05 to 0 Mpa).
- 6) Stop the emergency COOL operation.  
To stop operation, press the E.O. SW several times until all LED lamps turn off. Refer to operating instructions for details.

#### ⚠ WARNING

When pumping down the refrigerant, stop the compressor before disconnecting the refrigerant pipes. The compressor may burst if air etc. get into it.

**ÍNDICE**

1. ANTES DE LA INSTALACIÓN.....1	5. PROCEDIMIENTOS DE PURGADO, PRUEBA DE FUGAS Y FUNCIONAMIENTO DE PRUEBA.....10
2. INSTALACIÓN DE LA UNIDAD INTERIOR.....4	6. BOMBEO DE VACIADO.....10
3. INSTALACIÓN DE LA UNIDAD EXTERIOR.....8	Al instalar unidades múltiples, consulte el manual de instalación de la unidad múltiple para obtener información sobre la instalación de la unidad exterior.
4. CONEXIÓN ABOCARDADA, CONEXIÓN DE TUBERÍA.....9	

**Herramientas necesarias para la instalación**

Dobladoras de tubos	Llave hexagonal de 5/32 pulg. (4 mm)
Destornillador Phillips	Abocardador para R410A
Nivel	Válvula colectora de manómetro para R410A
Báscula	Bomba de vacío para R410A
Cuchilla o tijeras	Manguera de carga para R410A
Broca para serrar de 3 pulg. (75 mm)	Cortador de tuberías con escariador
Llave dinamométrica	
Llave (o llave de tuercas)	

**1. ANTES DE LA INSTALACIÓN**

**1-1. POR RAZONES DE SEGURIDAD, DEBERÁ OBSERVARSE SIEMPRE LO SIGUIENTE**

- Lea atentamente estas precauciones de seguridad e instrucciones.
- Observe los mensajes de atención y cuidado especificados aquí.
- Cuando haya acabado de leer el manual, guárdelo junto al MANUAL DE INSTRUCCIONES para su futura referencia.
- Antes de conectar este equipo al sistema de suministro eléctrico, informe a su proveedor u obtenga su consentimiento.

**⚠ ATENCIÓN** (Podría causar la muerte o lesiones graves.)

- **El usuario no debe instalar la unidad.**  
Una instalación incorrecta o defectuosa podría causar incendios, descargas eléctricas o lesiones debidos a una caída de la unidad o escapes de agua. Consulte a un instalador cualificado o al concesionario en el que adquirió esta unidad.
- **Siga las instrucciones incluidas en el manual de instalación.**  
Una instalación defectuosa podría causar incendios, descargas eléctricas, lesiones debidas a una caída de la unidad o escapes de agua.
- **Al instalar la unidad, use equipos y herramientas de protección adecuadas para garantizar la seguridad.**  
De no hacerlo, podría sufrir daños corporales.
- **Asegúrese de que el lugar de instalación puede soportar el peso de la unidad.**  
Si el lugar de instalación no puede aguantar el peso de la unidad, ésta podría caerse y causar daños.
- **Realice la instalación eléctrica siguiendo las instrucciones del manual de instalación y asegurándose de emplear un circuito exclusivo. No conecte otros dispositivos eléctricos al circuito.**  
Si el circuito de alimentación no tiene suficiente capacidad o la instalación eléctrica es insuficiente, podría producirse un incendio o una descarga eléctrica.
- **Conecte correctamente la unidad a tierra.**  
No conecte el cable de tierra a una tubería de gas, de agua, pararrayos o al cable de tierra de un teléfono. Una conexión a tierra defectuosa podría provocar una descarga eléctrica.  
Si fuera necesario, tome las medidas necesarias para evitar fugas de corriente.
- **Evite dañar los cables.**  
Unos cables dañados podrían provocar incendios.
- **Asegúrese de desconectar el conmutador de alimentación general al instalar la placa de circuito impreso o el cableado.**  
De no hacerlo, podría provocar una descarga eléctrica.
- **Utilice los cables indicados para conectar de forma segura las unidades interiores y exteriores. Conecte bien los cables de modo que no queden tensos en el panel de terminales.**  
Una conexión incorrecta podría provocar un incendio.
- **No instale la unidad en un lugar donde pueda haber fugas de gas inflamable.**  
Si hay fugas de gas y se acumula alrededor de la unidad, podría producirse una explosión.
- **No emplee conexiones intermedias del cable de alimentación ni tampoco un cable de extensión. Evite también conectar demasiados aparatos a una sola toma de CA.**  
Esto podría provocar un incendio o una descarga eléctrica.
- **Utilice las piezas suministradas o indicadas para efectuar la instalación.**  
El empleo de piezas defectuosas podría provocar lesiones o escapes de agua a causa de un incendio, una descarga eléctrica, la caída de la unidad, etc.
- **Al conectar el enchufe de alimentación en la toma, asegúrese de que no hay polvo, obstrucciones o piezas sueltas ni en la toma ni en el enchufe. Compruebe que el enchufe de alimentación está completamente insertado en la toma.**  
Si hay polvo, obstrucciones o piezas sueltas en el enchufe de alimentación o la toma, podría provocar incendios o descargas eléctricas. Si el enchufe de alimentación presenta piezas sueltas, sustitúyalo.
- **Fije firmemente la cubierta de la instalación eléctrica a la unidad interior y el panel de servicio, a la unidad exterior.**  
Si no se fijan con firmeza la cubierta de instalación eléctrica de la unidad interior y el panel de servicio de la unidad exterior, podría acumularse polvo, agua, etc. en la unidad y producirse un incendio o una descarga eléctrica.
- **Al instalar, reubicar o reparar la unidad, asegúrese de que en el circuito de refrigeración no entra ninguna otra sustancia que no sea el refrigerante especificado (R410A).**  
La presencia de cualquier otra sustancia extraña, como aire por ejemplo, puede provocar una elevación anómala de la presión, una explosión o daños corporales. El uso de un refrigerante distinto al especificado por el sistema ocasionará fallos mecánicos, malfuncionamiento del sistema o averías en la unidad. En el peor de los casos, esto podría llegar a ser un serio impedimento para garantizar el uso seguro del producto.
- **No modifique la unidad.**  
Podría producirse fuego, una descarga eléctrica, lesiones o escape de agua.
- **No descargue el refrigerante en el ambiente. Una vez acabada la instalación, compruebe que no haya fugas de gas refrigerante. Si se producen fugas de refrigerante durante la instalación, ventile la habitación.**  
Si el refrigerante entra en contacto con una llama, podría generarse gas nocivo. Si se produjeran pérdidas de gas refrigerante en un interior y entraran en contacto con la llama de un calefactor con ventilador, un calentador, una estufa, etc. se generarían gases nocivos.
- **Utilice las herramientas apropiadas y los materiales de conducción adecuados para la instalación.**  
La presión del refrigerante R410A es 1,6 veces mayor que la del R22. Si no se utilizan herramientas o materiales apropiados, o si se realiza una instalación defectuosa, las tuberías podrían estallar y provocar lesiones.
- **Al bombear el refrigerante, detenga el compresor antes de desconectar las tuberías de refrigerante.**  
Si las tuberías de refrigerante se desconectan con el compresor en marcha y la válvula de retención se abre, podría entrar aire y la presión del ciclo de refrigeración aumentaría de forma anómala, lo que podría hacer que las tuberías estallaran.
- **Al instalar la unidad, conecte las tuberías de refrigerante de forma fija antes de poner en marcha el compresor.**  
Si el compresor se pone en marcha antes de que las tuberías de refrigerante estén conectadas y la válvula de retención se abre, podría entrar aire y la presión del ciclo de refrigeración aumentaría de forma anómala, lo que podría hacer que las tuberías estallaran.
- **Apriete la tuerca abocardada mediante una llave dinamométrica tal y como se especifica en el presente manual.**  
Si la aprieta demasiado, la tuerca abocardada podría romperse y causar pérdidas de refrigerante.
- **Instale la unidad de acuerdo con la normativa para instalaciones eléctricas.**

**⚠ CUIDADO** (Podría causar lesiones graves si se manipula incorrectamente.)

- **Para efectuar un drenaje y una instalación de tuberías seguros, siga las indicaciones del manual de instalación.**  
Un drenaje o una instalación de tuberías defectuosas podría causar un escape de agua en la unidad y dañar los enseres del hogar.
- **No toque la entrada de aire ni las aletas de aluminio de la unidad exterior.**  
Esto podría causar lesiones.
- **No instale la unidad exterior donde puedan vivir animales pequeños.**  
Si los animales penetran en la unidad y dañan las piezas eléctricas podrían provocar fallos de funcionamiento, humos o incendios. Mantenga limpia el área alrededor de la unidad.

## 1-2. SELECCIÓN DEL LUGAR DE INSTALACIÓN

### UNIDAD INTERIOR

- Donde no se obstruya el flujo de aire.
- Donde el aire se pueda propagar por toda la habitación.
- Pared rígida y suelo plano sin vibraciones.
- Donde no esté expuesto a la luz solar directa. Tampoco la deje expuesta a luz solar directa mientras espera para instalarla, después de haberla desmontado.
- Donde pueda drenarse con facilidad.
- A una distancia de 3 pies (1 m) o más del televisor o la radio. El funcionamiento del acondicionador de aire puede interferir con la capacidad de recepción del televisor o la radio. Puede ser necesario conectar el receptor afectado a un amplificador.
- En un lugar lo más alejado posible de fluorescentes o de luces incandescentes. Para que el controlador remoto por infrarrojos funcione con normalidad. El calor desprendido por las luces podría provocar deformaciones y la radiación ultravioleta podría provocar el deterioro.
- Donde el filtro de aire se pueda extraer y reemplazar con facilidad.
- Donde se encuentre alejada del resto de fuentes de calor o vapor.

### CONTROLADOR REMOTO

- Donde sea fácil de utilizar y de ver.
- Donde los niños no puedan tocarlo.
- Seleccione la posición donde la unidad interior pueda recibir la señal del controlador remoto correctamente. Compruebe que las señales del controlador remoto lleguen correctamente a la unidad interior desde esa posición (sonará un pitido de recepción "pii" o "pii pii"). A continuación, fije el soporte del controlador remoto en la pared e instale el controlador remoto inalámbrico.

### Nota:

En habitaciones con fluorescentes de tipo inversor, puede que la señal del controlador remoto inalámbrico no se reciba.

### UNIDAD EXTERIOR

- Donde no esté expuesta a un viento fuerte.
- Donde haya un buen flujo de aire sin polvo.
- Donde se pueda evitar todo lo posible la lluvia o la luz directa del sol.
- Donde el ruido o el aire caliente causados por el funcionamiento no moleste a los vecinos.
- Donde haya una pared o un punto de apoyo firme para evitar un mayor ruido o vibración durante el funcionamiento.
- Donde no exista riesgo de fugas de gas combustible.
- Si se instala la unidad en alto, asegúrese de fijar las patas de la unidad.
- Donde esté a una distancia mínima de 10 pies (3 m) de cualquier antena de televisión o radio. En las zonas con mala recepción, el funcionamiento del aparato de aire acondicionado puede provocar interferencias en estos aparatos. Puede ser necesario conectar el receptor afectado a un amplificador.
- Instale la unidad en horizontal.
- Instálela en un área donde no sufra el efecto provocado por una nevada, viento o nieve. En zonas de intensa nieve, le rogamos que instale un toldo, pedestal y/o algunas pantallas acústicas planas.

### Nota:

Se recomienda establecer el circuito cerrado de la tubería cerca de la unidad exterior para reducir la vibración que pudiera transmitirse desde ese punto.

### Nota:

Si utiliza el acondicionador de aire cuando la temperatura exterior sea baja, observe las instrucciones siguientes.

- No instale nunca la unidad exterior en un lugar en el que el lado de entrada/salida de aire quede expuesto directamente al viento.
  - Para evitar la exposición al viento, instale la unidad exterior con el lado de entrada de aire hacia la pared y placa deflectora en el lado de salida de aire.
- Para instalar el aparato de aire acondicionado, evite los lugares siguientes donde es más probable que ocurran problemas.
- Donde pueda haber una fuga de gas inflamable.
  - Donde haya demasiado aceite para maquinaria.
  - Donde pueda haber salpicaduras de aceite o donde impere un ambiente grasiento (como zonas para cocinar y fábricas, donde las partes de plástico se podrían alterar y dañar).
  - En ambientes salobres, como las zonas costeras.
  - Donde haya gas sulfúrico, como en zonas de baños termales, alcantarillas o aguas residuales.
  - Donde haya algún equipo inalámbrico o de alta frecuencia.
  - Donde haya elevadas emisiones de COV, incluidos compuestos de ftalato, aldehído fórmico, etc., que puedan causar craqueos.

## 1-3. ESPECIFICACIONES

### 1-3-1. CONEXIÓN DE CABLES DE ALIMENTACIÓN Y DE LAS UNIDADES INTERIORES/EXTERIORES

- La alimentación debe proceder de un circuito derivado exclusivo.
- Los trabajos de cableado se deben basar en los estándares técnicos aplicables.
- Las conexiones de cableado deben realizarse según el siguiente diagrama.
- Apriete firmemente los tornillos.

#### Conexión de cables y de cable de tierra

- Utilice un conductor sólido con un calibre mín. AWG14 o un conductor trenzado con un calibre mín. AWG14.
- Utilice un cable de cobre con doble aislamiento con el aislante de 600 V.
- Use únicamente conductores de cobre.

\* Siga los códigos eléctricos locales.

#### Cable de alimentación y cable de tierra

- Utilice un conductor sólido o trenzado. KJ09/12NA Mín. AWG14 KJ15/18NA Mín. AWG12
- Use únicamente conductores de cobre.

\* Siga los códigos eléctricos locales.

### Nota:

Cuando la alimentación de la unidad interior procede de la unidad exterior, en función del código local, se debe instalar un interruptor de desconexión en el circuito de alimentación.

### 1-3-2. TUBERÍAS DE REFRIGERANTE

- Para evitar la condensación, aisle las dos tuberías de refrigerante.
- El radio de curvatura de la tubería de refrigerante debe ser de 4 pulg. (100 mm) o más.

### ⚠ CUIDADO

Asegúrese de utilizar un aislamiento de grosor especificado (tabla de la derecha). El uso excesivo de aislante puede causar una instalación incorrecta de la unidad interior y el uso de una cantidad insuficiente de aislante puede provocar la condensación.

- La unidad tiene conexiones abocinadas en los lados interior y exterior.
- Retire la tapa de la válvula de la unidad exterior y, a continuación, conecte la tubería.
- Las tuberías de refrigerante se emplean para conectar las unidades interior y exterior.
- Tenga cuidado de no romper ni doblar demasiado el tubo cuando lo flexione.

- Ajuste de refrigerante... Si la longitud de la tubería es superior a 25 pies (7,5 m) será necesario emplear más refrigerante (R410A).

(La carga de refrigerante de la unidad exterior está calculada para una longitud máxima de tubería de 25 pies [7,5 m])

### Especificaciones eléctricas

MODELO	MFZ-KJ09NA MFZ-KJ12NA	MFZ-KJ15NA	MFZ-KJ18NA
<b>UNIDAD INTERIOR</b>			
Alimentación (V, FASE, Hz)	208/230, 1, 60		
Amperaje mín. del circuito (A)	1,0		
Motor del ventilador (F.L.A.) (A)	0,62	0,72	
<b>UNIDAD EXTERIOR</b>			
Alimentación (V, FASE, Hz)	208/230, 1, 60		
Tamaño máx. del fusible (tiempo de propagación) (A)	15	20	
Amperaje mín. del circuito (A)	11	16	
Motor del ventilador (F.L.A.) (A)	0,50	0,93	
Compresor	(R.L.A.) (A)	8,2	12,0
	(L.R.A.) (A)	10,3	15,0
Tensión de control	Unidad interior - control remoto: (inalámbrica) Unidad interior - unidad exterior : DC12-24 V (polarizada)		

Tubería		Diámetro exterior	Grosor mínimo de la pared	Grosor del aislamiento	Material aislante
		pulgadas (mm)			
Para líquido	MFZ-KJ09/12/15/18NA	1/4 (6,35)	0,0315 (0,8)	5/16 (8)	Plástico de espuma termorre-sistente con un peso específico de 0,045
	Para gas	MFZ-KJ09/12NA	3/8 (9,52)	0,0315 (0,8)	
MFZ-KJ15/18NA		1/2 (12,7)	0,0315 (0,8)	5/16 (8)	

Límites		
Longitud de la tubería	MFZ-KJ09/12NA	máx. 65 pies (20 m)
	MFZ-KJ15/18NA	máx. 100 pies (30 m)
Diferencia de altura	MFZ-KJ09/12NA	máx. 40 pies (12 m)
	MFZ-KJ15/18NA	máx. 50 pies (15 m)
Nº de curvaturas	máx. 10	

Longitud de la tubería	Hasta 25 pies (7,5 m)	No se necesita más carga.
	Más de 25 pies (7,5 m)	Se necesita más carga. (Véase la tabla más adelante.)
Cantidad de refrigerante a añadir	MFZ-KJ09/12NA	1,08 oz. cada 5 pies (20 g/m)
	MFZ-KJ15/18NA	1,62 oz. cada 5 pies (30 g/m)

# 1-4. DIAGRAMA DE INSTALACIÓN

## ACCESORIOS

Antes de la instalación, compruebe que tiene las siguientes piezas.  
<Unidad interior>

(1)	Manguera de drenaje *1	1
(2)	Soporte del controlador remoto	1
(3)	Tornillos para (2) 3,5 x 16 mm (negro)	2
(4)	Recubrimiento del tubo	1
(5)	Banda	2
(6)	Batería (AAA) para (12)	2
(7)	Soporte de montaje de la unidad interior	1
(8)	Tornillo de fijación para (7) 4 x 25 mm	5
(9)	Tirafondo para la fijación de la unidad interior	4
(10)	Arandela para (9)	4
(11)	Cinta de fieltro (para tuberías izquierda o posterior izquierda)	1
(12)	Controlador remoto inalámbrico	1

### Nota:

\*1 La manguera de drenaje está conectada a la unidad.

## PIEZAS NO SUMINISTRADAS POR EL PROVEEDOR

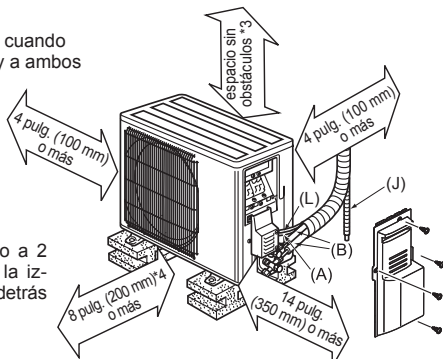
(A)	Cable de conexión interior/exterior *2	1
(B)	Tubería de extensión	1
(C)	Manguito del orificio de la pared	1
(D)	Cubierta del orificio de la pared	1
(E)	Banda de fijación de la tubería	2 - 5
(F)	Tornillo de fijación para (E) 4 x 20 mm	2 - 5
(G)	Cinta para tubería	1
(H)	Masilla	1
(J)	Manguera de drenaje (o PVC blando, manguera de 19/32 pulg. (15 mm) de diámetro interior o tubo de PVC rígido VP16)	1
(K)	Aceite refrigerante	1
(L)	Cable de alimentación *2	1

### Nota:

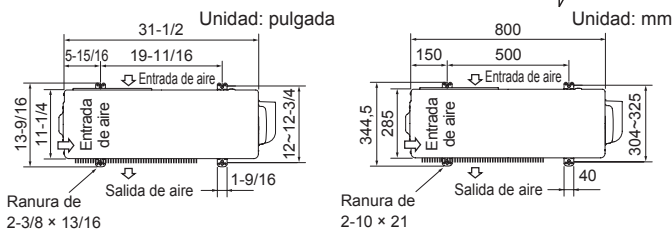
\*2 Coloque el cable de conexión de la unidad interior/exterior (A) y el cable de alimentación (L) al menos a 3 pies (1 m) de distancia del cable de la antena de televisión.

## <KJ09/12>

\*3 4 pulg. (100 mm) o más cuando quede espacio delante y a ambos lados de la unidad



\*4 Cuando quede espacio a 2 lados de la unidad: a la izquierda, a la derecha o detrás



Ranura de 2-3/8 x 13/16

### Nota:

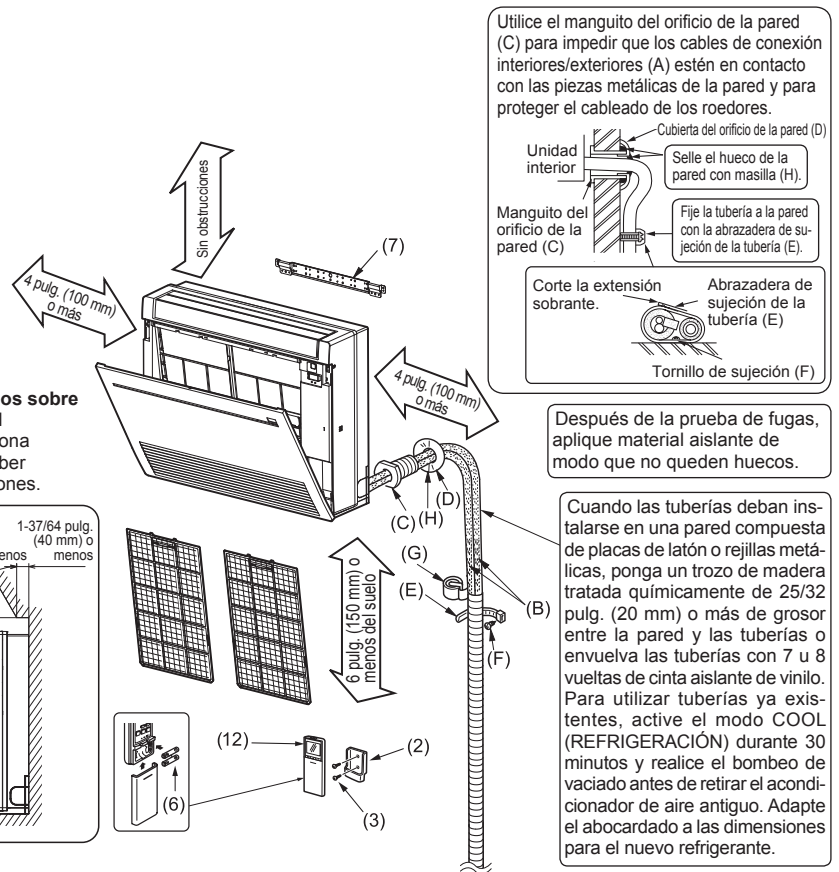
- Las dimensiones indicadas en las flechas (↔) anteriores muestran el espacio necesario para garantizar el funcionamiento del acondicionador de aire. Instale la unidad exterior en un lugar que disponga del máximo espacio posible, teniendo en cuenta futuras relocalizaciones, mantenimientos o reparaciones.
- El rendimiento de la refrigeración/calefacción y la eficiencia del uso de la energía eléctrica pueden disminuir alrededor de un 10% en aquellos lugares donde puedan producirse ciclos cortos debido a la mala ventilación. El rendimiento puede mejorar si se instala la guía de salida de aire (opcional).
- Si el aire de la salida se dirige hacia la pared, puede provocar la aparición de manchas.

### Tubería de drenaje para la unidad exterior

Instale la unidad en horizontal.

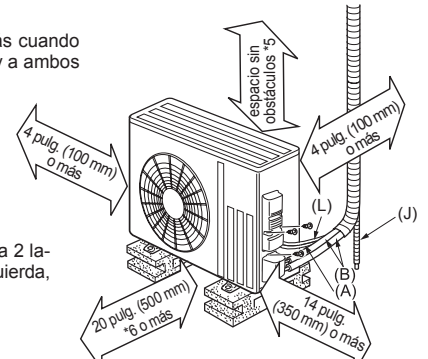
No utilice tapa de desagüe en regiones frías. El desagüe se puede congelar y provocar la parada del ventilador.

La unidad exterior provoca condensación durante la función de calefacción. Seleccione un lugar para la instalación en el que la unidad exterior y los terminales de tierra no se humedezcan con agua de drenaje ni se dañen debido a la congelación de este agua de drenaje.

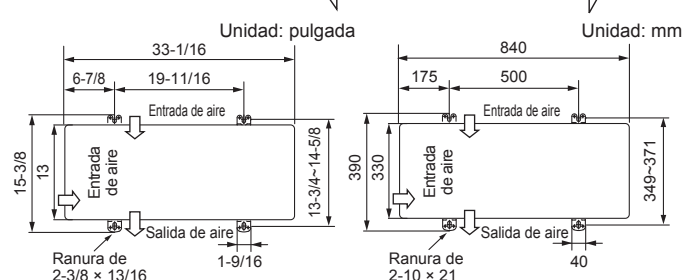


## <KJ15/18>

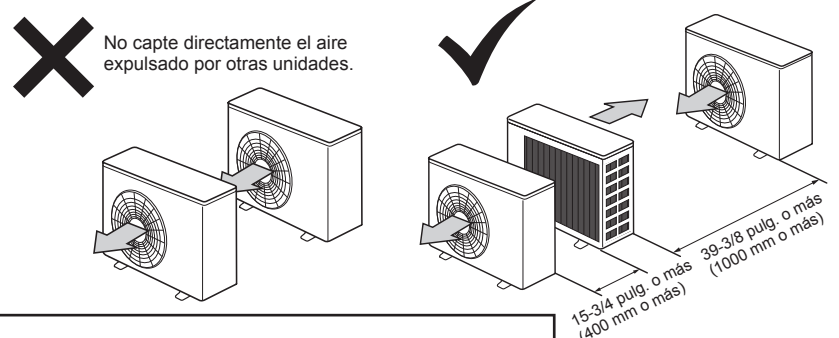
\*5 20 pulg. (500 mm) o más cuando quede espacio delante y a ambos lados de la unidad



\*6 Cuando quede espacio a 2 lados de la unidad: a la izquierda, a la derecha o detrás



### Nota:



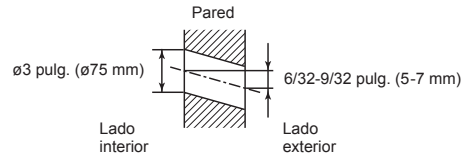
## 2. INSTALACIÓN DE LA UNIDAD INTERIOR

### 2-1. FIJACIÓN DEL SOPORTE DE MONTAJE DE LA UNIDAD INTERIOR

- Localice un elemento estructural en la pared (como un pilar) y fije el soporte (7) horizontalmente con tornillos de fijación (8).
- Para evitar que vibre el soporte (7), asegúrese de colocar los tornillos de fijación en los orificios que se indican en la ilustración. Si desea una mayor fijación, puede instalar también tornillos en otros orificios.

### 2-2. TALADRADO DE ORIFICIOS

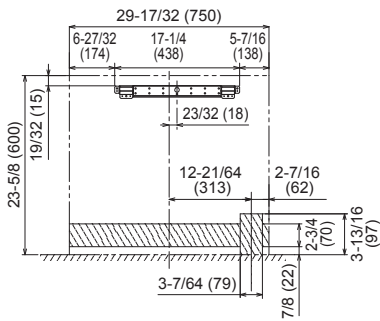
- 1) Determine la posición de los orificios en la pared.
- 2) Perfore un orificio de 3 pulg. (75 mm) de diámetro. El lado exterior debe quedar entre 6/32 y 9/32 pulg. (5 y 7 mm) más bajo que el lado interior.
- 3) Inserte el manguito del orificio de la pared (C).



#### POSICIONES DE LOS ORIFICIOS

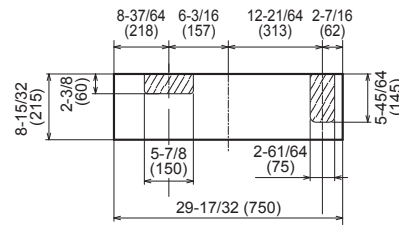
##### PARA TUBERÍAS POSTERIOR O POSTERIOR IZQUIERDA

(La siguiente figura es una vista frontal de la situación de instalación de la unidad interior.)



##### PARA TUBERÍAS DERECHA O IZQUIERDA HACIA ABAJO

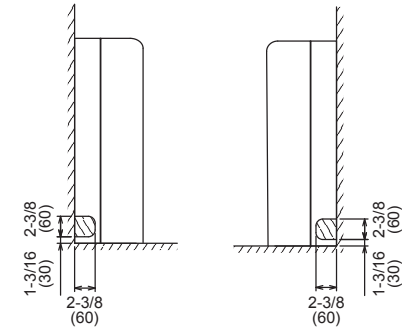
(La siguiente figura es una vista desde arriba de la base de la unidad interior.)



##### TUBERÍA IZQUIERDA

##### TUBERÍA DERECHA

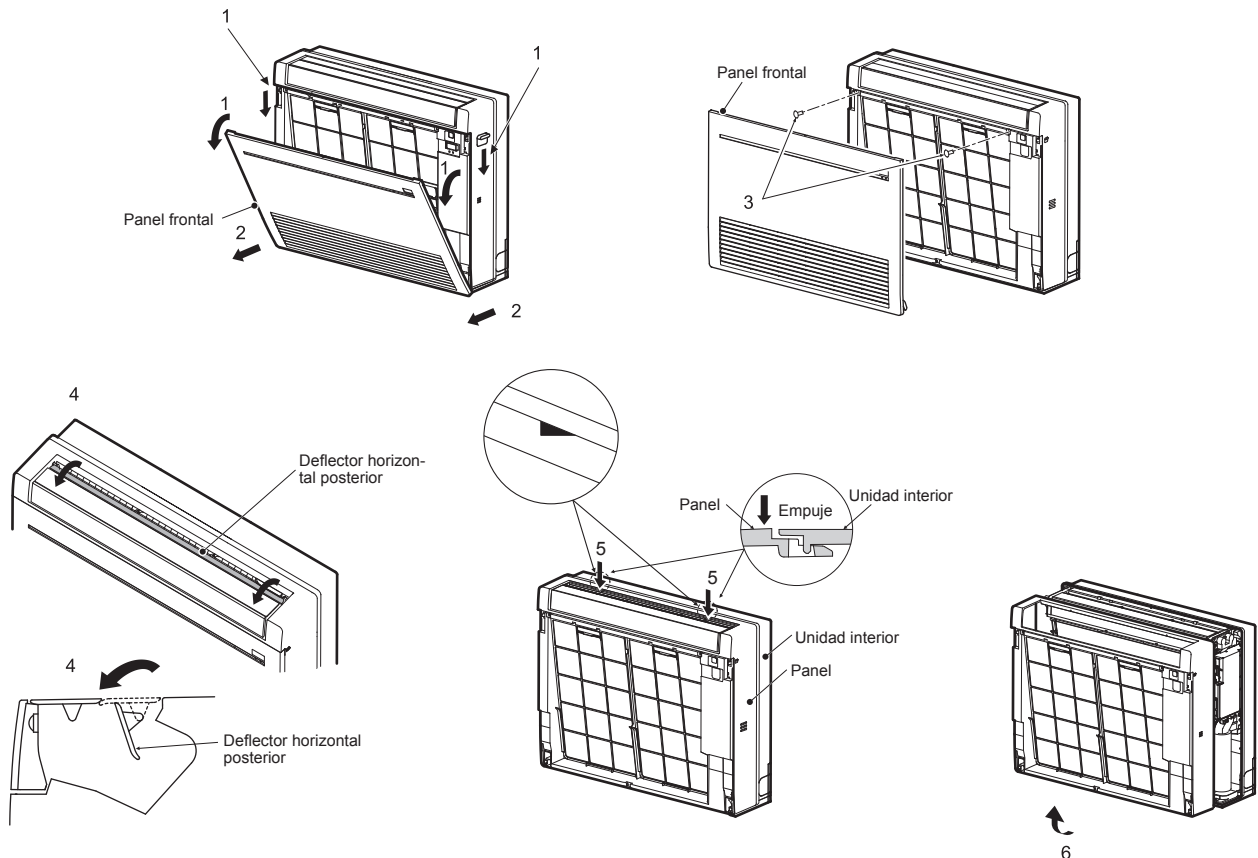
pulgadas (mm)



### 2-3. PREPARACIÓN DE LA UNIDAD INTERIOR

Retire el panel frontal de la unidad interna.

- 1) Presione las lengüetas en ambos lados de la unidad para abrir el panel frontal.
- 2) Tire del panel frontal hacia usted para extraerlo.
- 3) Retire los 2 tornillos.
- 4) Abra el deflector horizontal posterior.
- 5) Presione en las 2 posiciones de la parte superior del panel y, a continuación, tire de la parte superior del panel en dirección hacia usted.
- 6) Retire el panel mientras lo levanta (ligeramente).



## 2-4. INSTALACIÓN DE LA UNIDAD INTERIOR

pulgadas (mm)

### 2-4-1. INSTALACIÓN DE LA UNIDAD INTERIOR EN EL SUELO

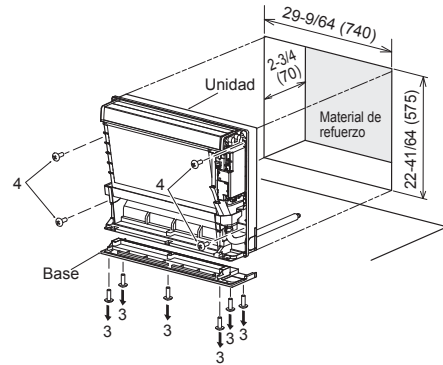
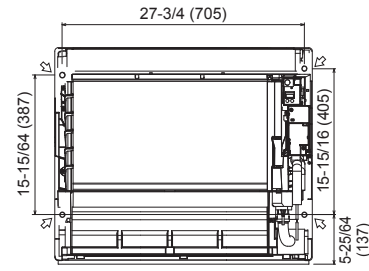
1. Coloque la unidad interior sobre una superficie plana.
2. Fije la unidad interior por 4 puntos con los tornillos para madera (9) y las arandelas (10) que se proporcionan. Apriete firmemente los tornillos.

### 2-4-2. MONTAJE DE LA UNIDAD INTERIOR EN LA PARED

1. Enganche el extremo superior de la unidad interior en el soporte de montaje de la unidad interior (7).
2. Fije la unidad interior por 4 puntos con los tornillos para madera (9) y las arandelas (10) que se proporcionan. Apriete firmemente los tornillos.

### 2-4-3. EMPOTRADO DE LA UNIDAD INTERIOR EN UNA PARED

1. Haga un orificio en la pared.
2. Utilizando material de refuerzo, ajuste la profundidad.
3. Extraiga los 6 tornillos que sujetan la base a la unidad. Retire la base de la unidad.
4. Fije la unidad interior por 4 puntos con los tornillos para madera (9) y las arandelas (10) que se proporcionan. Apriete firmemente los tornillos.



## 2-5 FORMACIÓN E INSTALACIÓN DE LAS TUBERÍAS

**Nota:** Consulte el punto 4. CONEXIÓN ABOCARDADA, CONEXIÓN DE TUBERÍA.

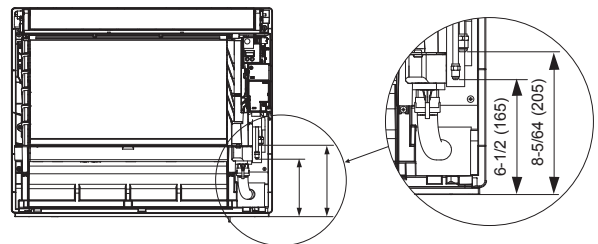
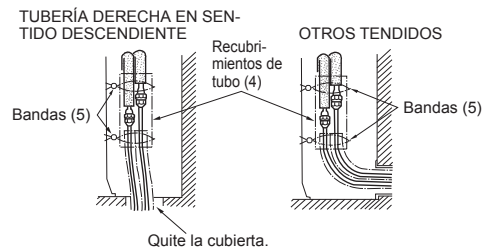
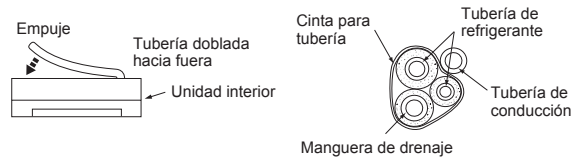
### Formación de las tuberías

- Tienda la manguera de drenaje en diagonal por debajo de los tubos de conexión.
- Asegúrese de que la manguera de drenaje no está tendida hacia arriba ni que presenta ondulaciones.
- No tire de la manguera de drenaje y envuélvala con cinta.
- Tienda la tubería de modo que no pase más allá de la parte trasera de la unidad interior. (Consulte la figura de la derecha.)

### Conexión de la instalación de tuberías

- Instale los tubos de conexión de modo que el conjunto de tuberías se pueda mover ligeramente hacia delante, atrás, izquierda y derecha.

- Asegúrese de aislar las tuberías de conexión de modo que no estén en contacto con el panel.
- Tenga cuidado de no partir los tubos de conexión al doblarlos. (Utilice una dobladora de tubos para la tubería izquierda o derecha.)
- La cubierta de la tubería no puede colocarse sin conectar la tubería de conducción después de conectar las tuberías.



### PARA TUBERÍAS IZQUIERDA O POSTERIOR IZQUIERDA

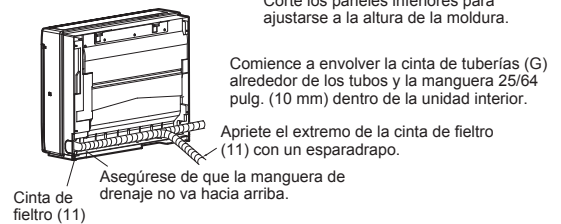
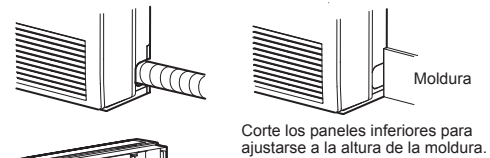
Una los tubos de conexión con la manguera de drenaje y envuélvalos en cinta de fieltro (11).

Corte y uso los paneles inferior a la derecha o izquierda de la unidad interior tal y como se muestra a continuación.

Suavice los cantos de los paneles laterales de modo que no dañen el revestimiento aislante.

- Para tuberías derecha o izquierda
- Instalación pegada a la pared con moldura

Envuelva fuertemente con la cinta de fieltro (11) los tubos y la manguera comenzando cerca del lugar donde salen de la unidad interior. (La cinta de fieltro (11) no se debe superponer sobre sí misma más de un 1/2 de su ancho.)





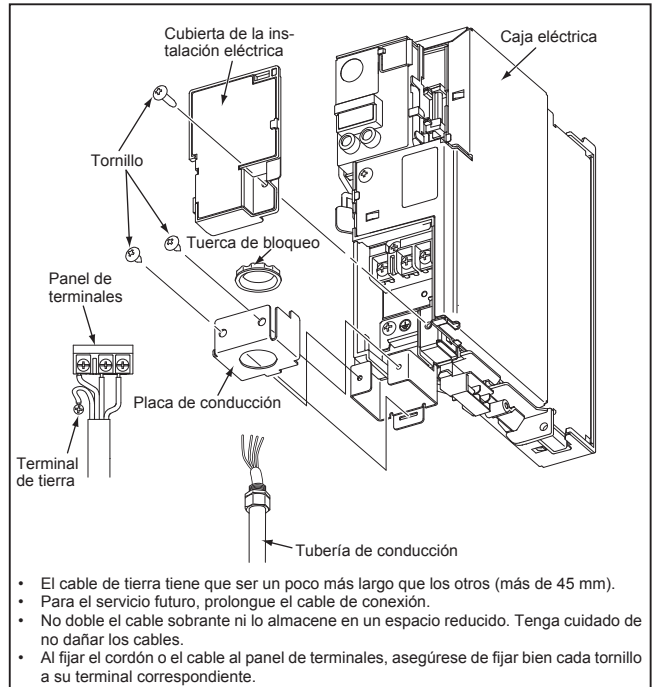
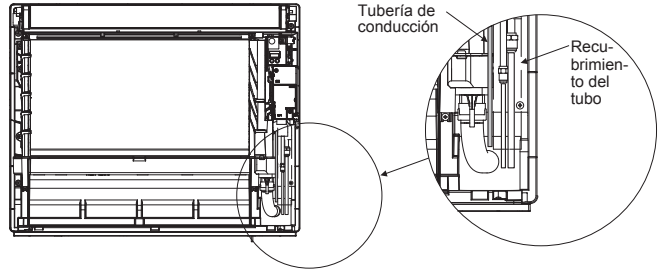
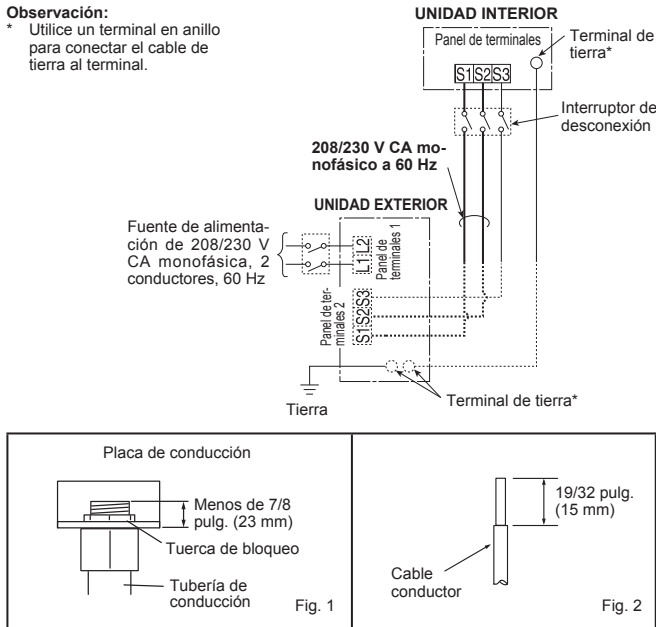
## 2-6. CABLES DE CONEXIÓN PARA LA UNIDAD INTERIOR

**Nota:** La unidad debería instalarla un proveedor/electricista autorizado. Si así lo exigen las normativas nacionales, estatales y locales aplicables, deberá instalarse un interruptor de desconexión cuando la alimentación de la unidad interior provenga de la unidad exterior.

- 1) Retire la cubierta eléctrica.
- 2) Retire la placa de conducción.
- 3) Una la tubería de conducción a la placa de conducción con la tuerca de fijación. El cable de conexión de la unidad interior/exterior (A) que procede desde el interior de la tubería de conducción debe ser menor de 7/8 pulg. (23 mm). (Fig. 1)
- 4) Procese el extremo del cable de tierra (Fig. 2). Conéctelo al terminal de tierra de la caja de piezas eléctricas.
- 5) Procese el extremo del cable de conexión de la unidad interior/exterior (A) (Fig. 2). Conéctelo al panel de terminales. Procure no equivocarse al hacer las conexiones. Fije con firmeza el cable al panel de terminales de modo que no quede a la vista ninguna de sus piezas internas y que ninguna fuerza externa afecte a la sección de conexión del panel de terminales.
- 6) Apriete bien los tornillos de los terminales. Una vez apretados los tornillos, compruebe que los cables estén bien fijados.
- 7) Vuelva a instalar la placa de conducción.
- 8) Vuelva a instalar la cubierta de la instalación eléctrica.

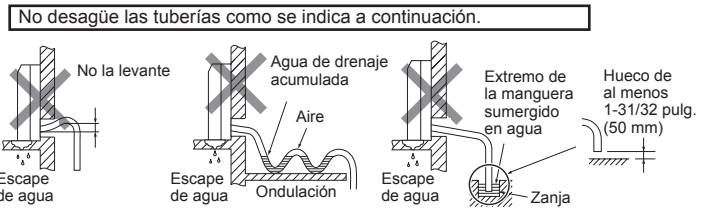
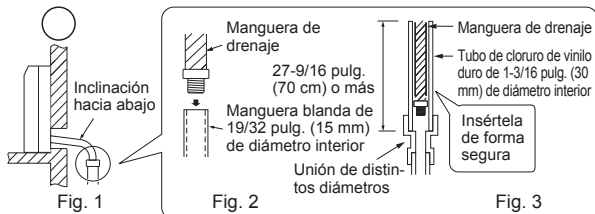
### Observación:

\* Utilice un terminal en anillo para conectar el cable de tierra al terminal.



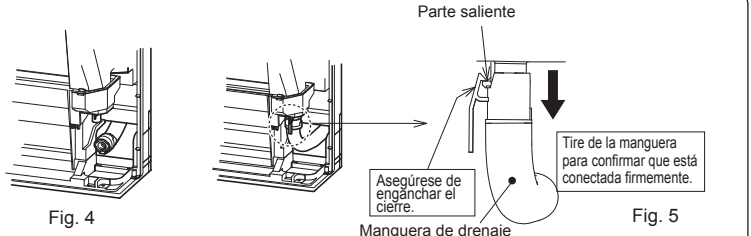
## 2-7. TUBERÍA DE DRENAJE

- Si la extensión de la manguera de drenaje tiene que pasar por una habitación, no olvide forrarla con aislante (disponible en el mercado).
- La manguera de drenaje debe quedar hacia abajo para facilitar el drenaje. (Fig. 1)
- Si la manguera de drenaje suministrada con la unidad interior es demasiado corta, conéctela con la manguera de drenaje (J) que debe suministrar el distribuidor. (Fig. 2)
- Al conectar la manguera de drenaje al tubo de cloruro de vinilo duro, asegúrese de que quede fija al insertarla en el tubo. (Fig. 3)



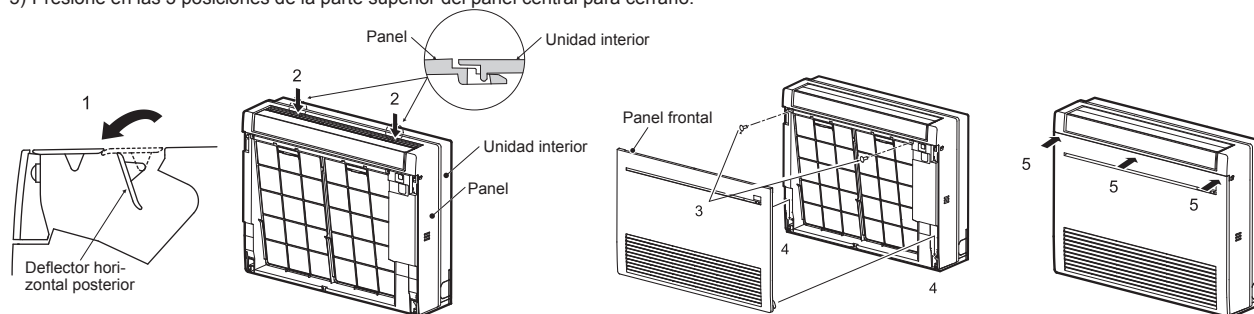
### La manguera de drenaje se retira en la instalación.

- Al tender la tubería de drenaje, asegúrese de que la manguera de drenaje (1) se tiende tal y como se indica a continuación. (Fig. 4)
- Inserte la manguera de drenaje hasta llegar a la base del depósito de drenaje (conexión de la tubería). (Fig. 5) Asegúrese de que el cierre de la manguera de drenaje está firmemente enganchado a la parte saliente en el accesorio de la manguera del depósito de drenaje.
- Tras conectar la manguera de drenaje, asegúrese de tirar de la manguera para confirmar que está conectada de forma segura.



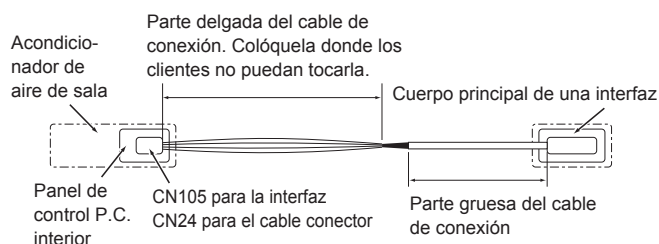
## 2-8. INSTALACIÓN DEL PANEL FRONTAL

- 1) Abra el deflector horizontal posterior.
- 2) Instale el panel. Asegúrese de que los cierres quedan ajustados.
- 3) Fije el panel con tornillos.
- 4) Inserte la parte inferior del panel frontal.
- 5) Presione en las 3 posiciones de la parte superior del panel central para cerrarlo.



## 2-9. CONEXIÓN DE UNA INTERFAZ (opcional) O UN CABLE CONECTOR (opcional) AL ACONDICIONADOR DE AIRE

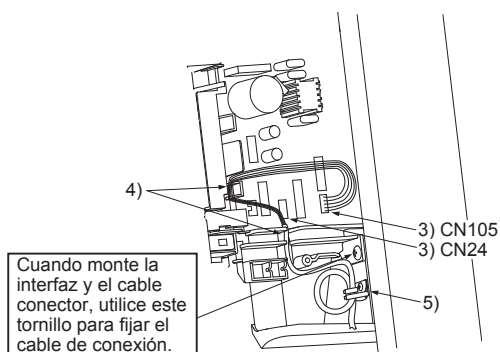
- Conecte una interfaz/un cable conector a la placa de circuito impreso interior del acondicionador de aire mediante un cable de conexión.
- Si corta o empalma el cable de conexión de la interfaz o el cable conector, se producirán problemas en la conexión. No permita que se enrollen entre ellos el cable de conexión con el cable de alimentación, el cable de conexión interior/exterior y el cable de tierra. Mantenga la distancia máxima posible entre el cable de conexión y esos cables.
- La parte delgada del cable de conexión debe guardarse y situarse en un lugar donde los clientes no puedan tocarla.



- 1) Retire el panel.
- 2) Abra la cubierta del panel de control P.C. interior.
- 3) Una el cable de conexión a CN105 y/o CN24 en la placa de circuito impreso interior.
- 4) Tienda el cable de conexión a través de este punto en la figura.
- 5) Una la abrazadera de cable suministrada con la interfaz o el cable conector a la parte gruesa del cable de conexión con un tornillo 4×16 tal y como se muestra en la figura.
- 6) Cierre la cubierta del panel de control P.C. interior. Tenga cuidado de no enganchar la parte delgada del cable de conexión en la cubierta. Vuelva a instalar el panel.

### ⚠ ATENCIÓN

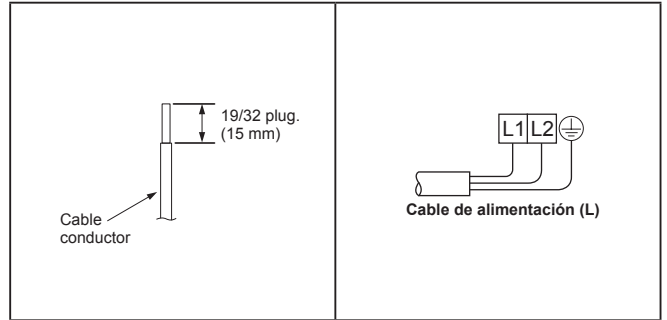
Fije de forma segura el cable de conexión en la posición prescrita. Una instalación incorrecta puede provocar descargas eléctricas, fuego o fallos de funcionamiento.



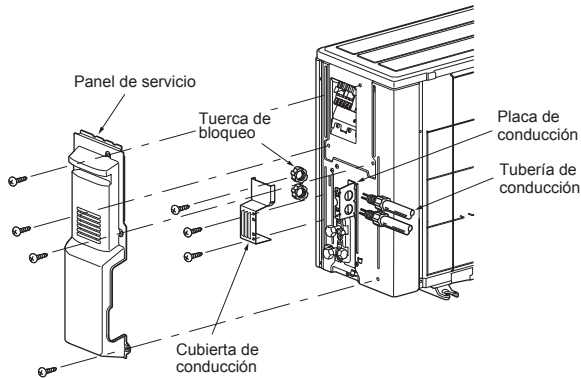
### 3. INSTALACIÓN DE LA UNIDAD EXTERIOR

#### 3-1. CABLES DE CONEXIÓN PARA LA UNIDAD EXTERIOR

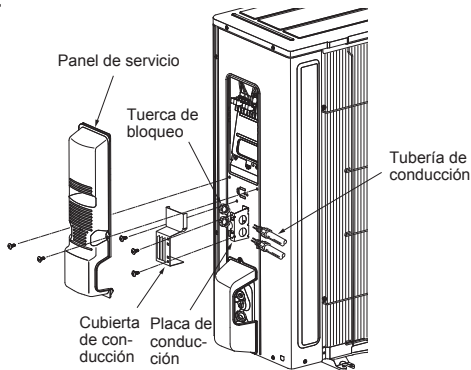
- 1) Extraiga el panel de servicio.
- 2) Extraiga la cubierta de conducción.
- 3) Acople los conectores de conducción a la placa de conducción con las tuercas de bloqueo y, a continuación, fíjelo a la unidad con tornillos.
- 4) Conecte los cables de tierra del cable de conexión de la unidad interior/exterior (A) y el cable de alimentación (L) a la fijación TB.
- 5) Afloje los tornillos del terminal, y luego conecte correctamente el cable de conexión de la unidad interior/exterior (A) y el cable de alimentación (L) de la unidad interior al panel de terminales. Fije con firmeza los cables al panel de terminales de modo que no quede a la vista ninguna de sus piezas internas, y que ninguna fuerza externa afecte a la sección de conexión del panel de terminales.
- 6) Apriete bien los tornillos de los terminales. Una vez apretados los tornillos, compruebe que los cables estén bien fijados.
- 7) Instale la cubierta de conducción.
- 8) Instale el panel de servicio de forma segura.



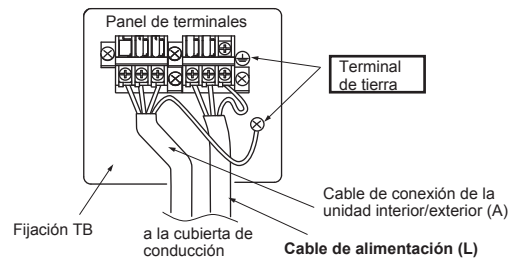
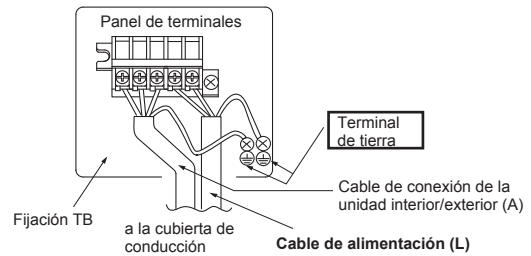
<KJ09/12>



<KJ15/18>



- El cable de tierra tiene que ser un poco más largo que los otros (más de 4 pulg. [100 mm]).
- Para el servicio futuro, deje un poco de holgura en los cables de conexión.
- Al fijar el cordón o el cable al panel de terminales, asegúrese de fijar bien cada tornillo a su terminal correspondiente.



#### 3-2. FORMACIÓN E INSTALACIÓN DE LAS TUBERÍAS

**Nota:** Consulte el punto 4. CONEXIÓN ABOCARDADA, CONEXIÓN DE TUBERÍA.

#### 3-3. AISLAMIENTO TÉRMICO Y FORRADO CON CINTA

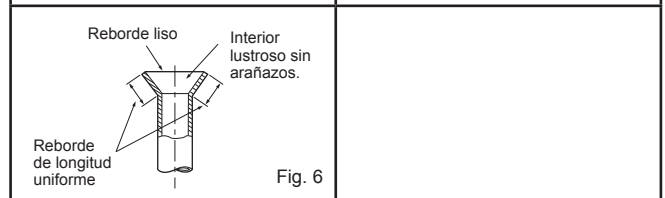
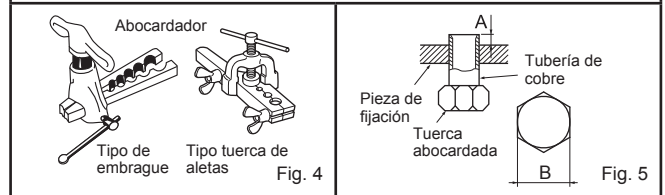
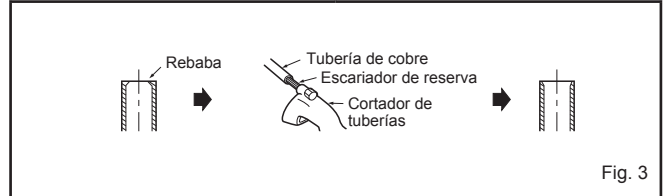
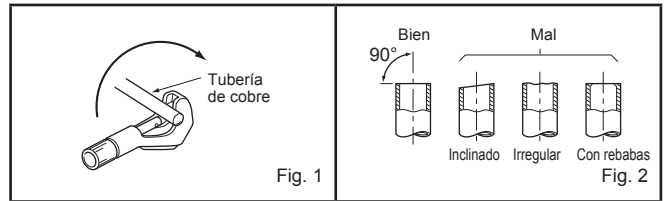
- 1) Cubra las uniones de tuberías con cubiertas de tubería.
- 2) En el lado de la unidad exterior, aisle las tuberías y válvulas.
- 3) Aplique cinta de tuberías (G) a partir de la conexión en la unidad exterior.
  - Cuando las tuberías deban instalarse por encima del techo, en un armario empotrado o en lugares con una temperatura y humedad elevadas, utilice un aislante adicional no suministrado por el proveedor para evitar la condensación.

## 4. CONEXIÓN ABOCARDADA, CONEXIÓN DE TUBERÍA

### 4-1. CONEXIÓN ABOCARDADA

- 1) Corte el tubo de cobre correctamente con un cortador de tubos. (Fig. 1, 2)
- 2) Elimina las rebabas de la sección de corte de la tubería, asegurándose de tomar precauciones para evitar la entrada de recortes metálicos en la tubería. (Fig. 3)
- 3) Extraiga las tuercas abocardadas colocadas en las unidades interior y exterior y póngalas en el tubo.
- 4) Labores de abocardamiento (Fig. 4, 5). Sujete firmemente el tubo de cobre de la dimensión que se muestra en la tabla. Seleccione A pulgadas (mm) en la tabla según la herramienta que emplee.
- 5) Compruebe
  - Compare el abocardado con la Fig. 6.
  - Si el abocardado es defectuoso, corte la sección y repita el procedimiento.

Diámetro del tubo pulgadas (mm)	B en pulgadas (mm)	A en pulgadas (mm)			Par de torsión	
		Herramienta tipo embrague para R410A	Herramienta tipo embrague para R22	Herramienta tipo tuerca de mariposa para R22	pies-lb (kgf·cm)	N·m
ø 1/4 (6,35)	21/32 (17)	0 - 0,02 (0 - 0,5)	0,04 - 0,06 (1,0 - 1,5)	0,06 - 0,08 (1,5 - 2,0)	10 - 13 (140 - 180)	13,7 - 17,7
ø 3/8 (9,52)	7/8 (22)			25 - 30 (350 - 420)	34,3 - 41,2	
ø 1/2 (12,7)	1-1/32 (26)			36 - 42 (500 - 575)	49,0 - 56,4	
ø 5/8 (15,88)	1-5/32 (29)			54 - 58 (750 - 800)	73,5 - 78,4	



### 4-2. CONEXIÓN DE TUBERÍAS

- Apriete una tuerca abocardada con una llave dinamométrica tal y como se especifica en la tabla.
- Si la aprieta demasiado, la tuerca abocardada podría romperse y causar pérdidas de refrigerante.
- Asegúrese de colocar el aislante alrededor de las tuberías. El contacto directo con la tubería puede ocasionar quemaduras o congelación.

#### Conexión de la unidad interior

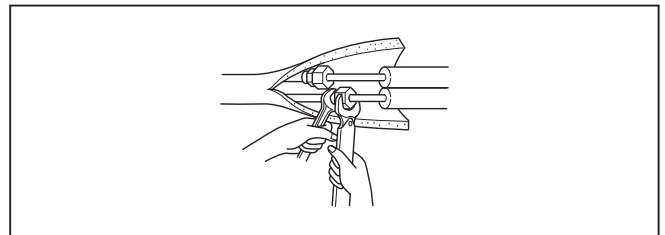
Conecte las tuberías de líquido y de gas a la unidad interior.

- Aplique una fina capa de aceite refrigerante (K) sobre los extremos abocardados de las tuberías. No aplique aceite de refrigeración en las roscas de los tornillos. Un par de apriete excesivo podría dañar el tornillo.
- Para realizar la conexión, alinee primero el centro y luego apriete la tuerca abocardada las primeras 3 a 4 vueltas.
- Utilice la siguiente tabla de pares de apriete como guía para las uniones laterales de la unidad interior y apriete empleando dos llaves. Procure no apretar demasiado, ya que podría deteriorar la sección abocardada.

#### Conexión de la unidad exterior

Conecte las tuberías a las uniones de tubería de las válvulas de retención de la unidad exterior de la misma manera que en la unidad interior.

- Para apretar, utilice la llave dinamométrica o la llave de tuercas.



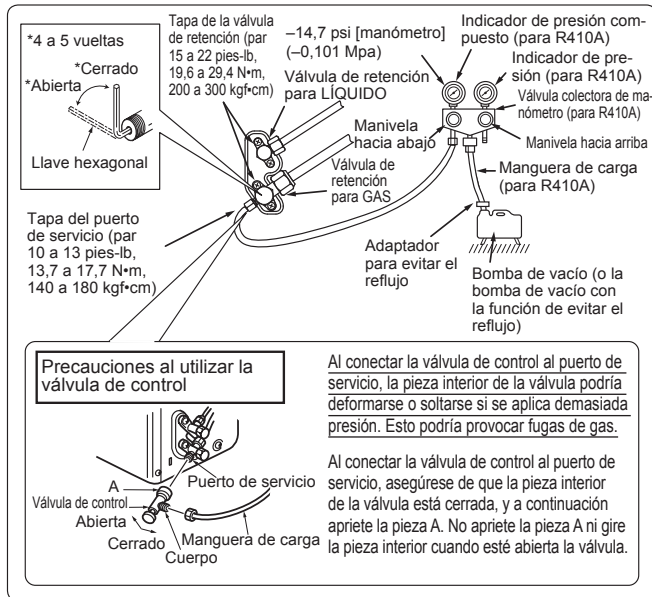
#### ⚠ ATENCIÓN

Al instalar la unidad, conecte las tuberías de refrigerante de forma fija antes de poner en marcha el compresor.

## 5. PROCEDIMIENTOS DE PURGADO, PRUEBA DE FUGAS Y FUNCIONAMIENTO DE PRUEBA

### 5-1. PROCEDIMIENTO DE PURGADO Y PRUEBA DE FUGAS

- 1) Retire las tapas de la abertura de servicio de las válvulas de retención situadas a ambos lados de las líneas de refrigerante. (La unidad se suministra con las válvulas de retención completamente cerradas). Debe dejarlas cerradas.
- 2) Conecte la válvula conectora de manómetro a los puertos de las válvulas de retención.



- 3) Realice el vaciado del sistema a 4000 micrones utilizando ambas válvulas de servicio. No se deben utilizar medidores del colector de admisión del sistema para medir el vacío. Se debe utilizar siempre un medidor de micrones. Rompa el vacío inyectando nitrógeno (N<sub>2</sub>) en la válvula de servicio de descarga a 0 PSIG.
- 4) Realice el vaciado del sistema a 1500 micrones. Rompa el vacío inyectando nitrógeno (N<sub>2</sub>) en la válvula de servicio de descarga a 0 PSIG.
- 5) Realice el vaciado del sistema a 500 micrones.
- 6) Cierre las válvulas conectoras de manómetro, detenga la bomba y realice una prueba de elevación de la presión durante 30 minutos.
- 7) El sistema debería mantener 500 micrones durante 1 hora como mínimo.
- 8) Abra completamente todas las válvulas de retención a ambos lados de la tubería de gas y de líquido. Si no lleva a cabo esta operación abriendo dichas válvulas por completo, el rendimiento disminuirá y se producirán problemas.
- 9) Consulte la sección 1-3 e introduzca la cantidad indicada de refrigerante adicional si fuera necesario. Introduzca el refrigerante líquido con lentitud. De lo contrario, la composición del refrigerante en el sistema puede cambiar y afectar al rendimiento del equipo de aire acondicionado.
- 10) Retire las válvulas conectoras de manómetro, vuelva a colocar las tapas de la abertura de servicio y fíjelas.
- 11) Prueba de fugas

### 5-2. FUNCIONAMIENTO DE PRUEBA

- 1) Inserte el enchufe de la alimentación en la toma de corriente y/o encienda el disyuntor.
- 2) Pulse el interruptor E.O. SW una vez para el funcionamiento de REFRIGERACIÓN (COOL), y dos veces para el funcionamiento de CALEFACCIÓN (HEAT). El funcionamiento de prueba se realizará durante 30 minutos. Si la luz del lado izquierdo del indicador de funcionamiento parpadea cada 0,5 segundos, compruebe que el cable de conexión (A) de la unidad interior/exterior no esté mal conectado. Tras el funcionamiento de prueba, se iniciará el modo de emergencia (temperatura de ajuste 75°F [24°C]).
- 3) Para detenerlo, pulse varias veces el interruptor E.O. SW hasta que se apaguen todas las luces de los indicadores. Si desea más detalles, consulte el manual de instrucciones.



**Verificación de la recepción de señales (infrarrojas) del controlador remoto**  
 Pulse el botón OFF/ON (apagado/encendido) del controlador remoto (12) y compruebe si desde la unidad interior se oye una señal audible. Vuelva a pulsar el botón OFF/ON para apagar el equipo de aire acondicionado.  
 • Una vez apagado el compresor, se activa el dispositivo de protección del equipo de aire acondicionado que lo mantiene apagado durante 3 minutos.

### 5-3. FUNCIÓN DE PUESTA EN MARCHA AUTOMÁTICA

Este producto dispone de la función de puesta en marcha automática. Si la alimentación eléctrica se corta durante el funcionamiento, por ejemplo si se produce un apagón, esta función hace que una vez reanudada la alimentación el funcionamiento se produzca automáticamente con la configuración anterior. (Si desea más detalles, consulte el manual de instrucciones).

#### Cuidado:

- Después del funcionamiento de prueba o de la verificación de la recepción de señales remotas, apague la unidad con el interruptor E.O. SW o con el controlador remoto antes de desconectar el enchufe de alimentación. Si no lo hace la unidad se pondrá en marcha automáticamente al volver a conectar la alimentación.

#### Para el usuario

- Después de instalar la unidad, explique al usuario los detalles de la función de puesta en marcha automática.
- Si la función de puesta en marcha automática no es necesaria, puede desactivarse. Consulte al representante técnico para desactivar esta función. Si desea más detalles, consulte las instrucciones de funcionamiento.

### 5-4. EXPLICACIÓN PARA EL USUARIO

- Basándose en el MANUAL DE INSTRUCCIONES, explique al usuario cómo utilizar el equipo de aire acondicionado (cómo utilizar el controlador remoto, como retirar los filtros de aire, cómo retirar o colocar el control remoto en el soporte para el controlador remoto, métodos de limpieza, precauciones para el funcionamiento, etc.).
- Aconseje al usuario que lea atentamente el MANUAL DE INSTRUCCIONES.

## 6. BOMBEO DE VACIADO

Cuando traslade o se deshaga del aire acondicionado, bombee para vaciar el sistema siguiendo el procedimiento indicado a continuación para que el refrigerante no se escape a la atmósfera.

- 1) Conecte la válvula colectora de manómetro al puerto de servicio de la válvula de retención en el lado de la tubería del gas de la unidad exterior.
- 2) Cierre completamente la válvula de retención en el lado de la tubería de líquido de la unidad exterior.
- 3) Cierre casi completamente la válvula de retención del lado de la tubería de gas de la unidad exterior para que pueda cerrarse fácilmente cuando el indicador de presión muestre 0 psi [manómetro] (0 Mpa).
- 4) Inicie el funcionamiento de REFRIGERACIÓN (COOL) de emergencia.  
 Para iniciar el funcionamiento de emergencia en modo de REFRIGERACIÓN (COOL), desconecte el enchufe de alimentación y/o desactive el disyuntor. Transcurridos 15 segundos, conecte el enchufe de alimentación y/o active el disyuntor; a continuación pulse una vez el interruptor E.O. SW. (El funcionamiento de REFRIGERACIÓN (COOL) de emergencia puede realizarse de manera continuada durante 30 minutos).
- 5) Cierre completamente la válvula de retención del lado de la tubería de gas de la unidad exterior cuando el indicador de presión muestre de (0,1 a 0 psi [manómetro] (0,05 a 0 Mpa)).
- 6) Detenga el funcionamiento de REFRIGERACIÓN (COOL) de emergencia.  
 Para detenerlo, pulse varias veces el interruptor E.O. SW hasta que se apaguen todas las luces de los indicadores. Si desea más detalles, consulte el manual de instrucciones.

#### ▲ ATENCIÓN

Al bombear el refrigerante, detenga el compresor antes de desconectar las tuberías de refrigerante. El compresor podría explotar si entra aire, etc. en su interior.

## TABLE DES MATIERES

1. AVANT L'INSTALLATION .....	1
2. INSTALLATION DE L'UNITÉ INTERNE .....	4
3. INSTALLATION DE L'UNITÉ EXTERNE .....	8
4. RACCORDS A ÉVASEMENT, RACCORDS DE TUYAUTERIE .....	9

5. PROCEDURES DE PURGE, TEST DE CONTROLE DES FUITES ET ESSAI DE FONCTIONNEMENT .....	10
6. PURGE .....	10

Lors de l'installation de plusieurs unités, reportez-vous au manuel d'installation correspondant pour l'installation de l'unité externe.

## Outils nécessaires à l'installation

Cintreuse de tubes	Clé à ouverture fixe (ou clé simple)
Tournevis Phillips	Clé hexagonale de 5/32 in. (4 mm)
Niveau	Outil d'évasement pour le modèle R410A
Règle graduée	Collecteur à jauge pour le modèle R410A
Couteau tout usage ou paire de ciseaux	Pompe à vide pour le modèle R410A
Scie-cloche de 3 in. (75 mm)	Tuyau de charge pour le modèle R410A
Clé dynamométrique	Coupe-tuyaux avec alésoir

## 1. AVANT L'INSTALLATION

## 1-1. INSTRUCTIONS A TOUJOURS RESPECTER PAR MESURE DE SECURITE

- Veuillez à lire les présentes instructions et consignes de sécurité.
- Veuillez à respecter les avertissements et mises en garde spécifiés ici.
- Après la lecture de ce manuel, veuillez à le conserver avec les INSTRUCTIONS DE FONCTIONNEMENT pour référence ultérieure.
- Avant de brancher cet équipement au système d'alimentation, signalez-le au distributeur d'électricité ou demandez son accord.

**⚠ AVERTISSEMENT** (Pouvant entraîner des blessures graves, voire la mort.)

■ **N'installez pas l'unité vous-même (utilisateur).**

Une installation incorrecte ou incomplète peut être à l'origine d'un incendie, d'un choc électrique ou de blessures à la suite de la chute de l'unité ou de fuites d'eau. Contactez un technicien qualifié ou le revendeur à qui vous avez acheté l'unité.

■ **Suivez les instructions détaillées dans le manuel d'installation.**

Une installation incomplète peut être à l'origine d'un incendie, d'un choc électrique ou de blessures à la suite de la chute de l'unité ou de fuites d'eau.

■ **Lors de l'installation de l'appareil, utiliser l'équipement de protection et les outils adéquats, par mesure de sécurité.**

Le non-respect de ces recommandations peut être à l'origine de blessures.

■ **Installez solidement l'unité dans un endroit capable de supporter son poids.**

Si l'emplacement d'installation ne peut pas supporter le poids de l'unité, celle-ci risque de tomber et de provoquer des blessures.

■ **Exécutez les travaux électriques selon le manuel d'installation et veillez à utiliser un circuit unique. Ne branchez pas d'autres appareils électriques au circuit.**

Un circuit électrique d'une capacité insuffisante ou des travaux électriques incomplets peuvent être à l'origine d'un incendie ou d'un choc électrique.

■ **Raccordez correctement l'unité à la terre.**

Ne branchez pas le fil de terre à un tuyau de gaz ou d'eau, à un paratonnerre ou à la ligne de terre téléphonique. Une mise à la terre défectueuse peut entraîner un choc électrique.

Si nécessaire, prendre des mesures contre les courants de fuite.

■ **Veillez à ne pas endommager les câbles.**

Des câbles endommagés peuvent provoquer un incendie.

■ **Veillez à toujours couper l'alimentation principale lors de la configuration de la carte à circuits imprimés interne ou du câblage.**

Le non-respect de cette recommandation peut entraîner un choc électrique.

■ **Utilisez les câbles spécifiés pour raccorder en toute sécurité les unités interne et externe. Fixez les câbles solidement pour éviter toute pression sur le bloc de raccordement.**

Un raccordement incorrect peut provoquer un incendie.

■ **N'installez pas l'unité dans un endroit exposé à des fuites de gaz inflammable.**

La fuite ou l'accumulation de gaz autour de l'unité peut entraîner une explosion.

■ **N'utilisez pas de raccord intermédiaire ou de rallonge pour brancher le cordon d'alimentation. Ne branchez pas plusieurs appareils à une prise secteur.**

Cela peut provoquer un incendie ou un choc électrique.

■ **Utilisez les pièces fournies ou spécifiées lors des travaux d'installation.**

L'utilisation de pièces défectueuses peut être à l'origine de blessures ou de fuites d'eau dues à un incendie, un choc électrique, la chute de l'unité, etc.

■ **Lors du branchement de la fiche d'alimentation dans la prise secteur, vérifiez qu'aucune poussière, saleté ni d'éléments desserrés n'est présent sur la prise et la fiche. Veillez à enfoncer à fond la fiche d'alimentation dans la prise secteur.**

La présence de poussière, de saleté ou d'éléments desserrés sur la fiche d'alimentation ou la prise secteur peut entraîner un choc électrique ou un incendie. Remplacez les éventuels éléments desserrés.

■ **Fixez correctement le couvercle du boîtier électrique de l'unité interne et le panneau de service de l'unité externe.**

Si le couvercle du boîtier électrique de l'unité interne et/ou le panneau de service de l'unité externe sont mal fixés, ils risquent de provoquer un incendie ou un choc électrique en raison de la poussière, de l'eau, etc. présentes dans le circuit.

■ **Lors de l'installation, du déplacement ou de l'entretien de l'appareil, veiller à ce qu'aucune substance autre que le réfrigérant spécifié (R410A) ne pénètre dans le circuit de réfrigération.**

La présence d'une substance étrangère, comme de l'air dans le circuit, peut provoquer une augmentation anormale de la pression et causer une explosion, voire des blessures. L'utilisation de réfrigérant autre que celui qui est spécifié pour le système provoquera une défaillance mécanique, un mauvais fonctionnement du système, ou une panne de l'appareil. Dans le pire des cas, la sécurité du produit pourrait être gravement mise en danger.

■ **Ne pas modifier l'appareil.**

Cela pourrait provoquer un risque d'incendie, d'électrocution, de blessure ou de fuite d'eau.

■ **Ne libérez pas le réfrigérant dans l'atmosphère. Vérifiez l'absence de fuites de gaz réfrigérant une fois l'installation terminée. En cas de fuite de réfrigérant pendant l'installation, aérez la pièce.**

Si le réfrigérant entre en contact avec un feu, des substances toxiques peuvent se dégager. Si le réfrigérant entre en contact avec la flamme d'un appareil de chauffage à ventilation, chauffage d'appoint, poêle, etc., des substances toxiques peuvent se dégager.

■ **Utilisez les outils et l'équipement de tuyauterie adaptés à l'installation.**

La pression du réfrigérant R410A est 1,6 fois supérieure à celle du R22. L'utilisation d'outils et d'équipements non adaptés ou une installation incomplète peut provoquer l'éclatement des tuyaux et blesser quelqu'un.

■ **Pendant l'opération d'aspiration du réfrigérant, arrêtez le compresseur avant de débrancher les tuyaux de réfrigérant.**

Si les tuyaux de réfrigérant sont débranchés alors que le compresseur fonctionne et si le robinet d'arrêt est ouvert, de l'air pourrait être aspiré et la pression du cycle de réfrigération pourrait augmenter de façon anormale, entraînant l'explosion des tuyaux.

■ **Pendant l'installation de l'unité, branchez correctement les tuyaux de réfrigérant avant de lancer le compresseur.**

Si le compresseur démarre avant le branchement des tuyaux de réfrigérant et si le robinet d'arrêt est ouvert, de l'air pourrait être aspiré et la pression du cycle de réfrigération pourrait augmenter de façon anormale, entraînant l'explosion des tuyaux.

■ **Fixez un écrou évasé avec une clé dynamométrique comme spécifié dans ce manuel.**

S'il est trop serré, il risque de se rompre et de provoquer une fuite de réfrigérant.

■ **Installez l'unité conformément aux normes électriques nationales.**

**⚠ ATTENTION** (Pouvant entraîner des blessures graves si l'unité n'est pas utilisée correctement.)

■ **Réalisez les travaux de vidange/tuyauterie conformément au manuel d'installation.**

Si les travaux de vidange/tuyauterie ne sont pas réalisés correctement, de l'eau pourrait s'écouler de l'unité et endommager le mobilier.

■ **Ne touchez ni l'entrée d'air ni les ailettes en aluminium de l'unité externe.**

Cela peut provoquer des blessures.

■ **N'installez pas l'unité externe à proximité de l'habitat de petits animaux.**

Si des petits animaux entrent dans l'unité et endommagent ses composants électriques, ils peuvent provoquer un dysfonctionnement, des émissions de fumée ou un incendie. Nettoyez régulièrement la périphérie de l'unité.

## 1-2. CHOIX DE L'EMPLACEMENT D'INSTALLATION

### UNITE INTERNE

- Emplacement favorisant la circulation de l'air.
- Emplacement favorisant la répartition de l'air dans la pièce.
- Mur rigide et sol plat sans vibrations.
- Emplacement ne favorisant pas une exposition aux rayons directs du soleil. Ne pas exposer aux rayons directs du soleil pendant la période entre le déballage et l'utilisation.
- Emplacement permettant d'effectuer facilement la vidange de l'appareil.
- Emplacement à une distance de 3 ft. (1 m) minimum du téléviseur et du poste de radio. Le fonctionnement du climatiseur peut interférer avec la réception radio ou TV. Il peut s'avérer nécessaire de brancher un amplificateur sur l'appareil concerné.
- Emplacement aussi éloigné que possible des lampes fluorescentes et à lumière incandescente. Ceci afin que le climatiseur puisse capter les signaux infrarouges envoyés par la télécommande. La chaleur générée par ces lampes peut entraîner une déformation ou les ultraviolets peuvent entraîner une détérioration.
- Emplacement permettant de retirer et de changer facilement le filtre à air.
- Emplacement éloigné de sources de chaleur ou de vapeur.

### TELECOMMANDE

- Emplacement dont l'accès est facile et visible.
- Emplacement hors de portée des enfants.
- Sélectionnez l'emplacement où l'appareil intérieur peut recevoir le signal de la télécommande de manière optimale. Assurez-vous que l'appareil intérieur reçoit sans problème les signaux envoyés par la télécommande à partir de cet emplacement (un bip ou un double bip indique que la réception est bonne). Fixez ensuite le support de la télécommande sur un pilier ou un mur et placez-y la télécommande sans fil.

### Remarque :

L'unité interne peut ne pas recevoir les signaux de la télécommande dans une pièce dont le système d'éclairage est à lampes fluorescentes à oscillateur intermittent.

### UNITE EXTERNE

- Emplacement ne favorisant pas une exposition à des vents violents.
- Emplacement favorisant une bonne circulation d'air sans poussière excessive.
- Emplacement ne favorisant pas une exposition à la pluie ou aux rayons directs du soleil.
- Emplacement ne générant pas de nuisance pour le voisinage (bruit de fonctionnement ou pulsation d'air chaud).
- Emplacement sur un mur ou un support rigides pour éviter toute propagation du bruit de fonctionnement ou vibration de l'appareil.
- Emplacement qui ne risque pas d'être exposé à des fuites de gaz combustible.
- Lorsque l'appareil est installé en hauteur, les pieds de support doivent être fixés.
- Emplacement à 10 ft. (3 m) minimum de l'antenne TV ou radio. Le fonctionnement du climatiseur peut interférer avec la réception des ondes radio ou TV dans des régions où la réception est faible. Il peut s'avérer nécessaire de brancher un amplificateur sur l'appareil concerné.
- Toujours installer l'appareil à l'horizontale.
- Installer le climatiseur dans un endroit à l'abri du vent et de la neige. Dans un endroit soumis à de fortes chutes de neige, installer un abri, un socle et/ou des écrans de protection.

### Remarque :

Il est conseillé de faire une boucle avec le tuyau le plus près possible de l'unité externe de façon à réduire les vibrations transmises par l'unité.

### Remarque :

Si vous utilisez le climatiseur alors que la température extérieure est basse, veillez à observer les instructions ci-dessous.

- N'installez jamais l'unité externe dans un endroit où le côté présentant l'entrée/la sortie d'air risque d'être directement exposé au vent.
- Pour protéger l'unité externe du vent, installez-la de façon à ce que l'entrée d'air soit face au mur et placez un écran de protection du côté de la sortie. Pour éviter tout problème de fonctionnement, évitez d'installer le climatiseur dans les endroits suivants :
  - En présence de fuites de gaz inflammable.
  - En présence d'une quantité excessive d'huile de machine dans l'air.
  - Dans des endroits exposés à des projections d'huile ou dont l'atmosphère est chargée d'huile (tels que les centres de cuisson et les usines susceptibles de modifier et d'altérer les caractéristiques du plastique).
  - Dans les régions où l'air est très salin, comme en bord de mer.
  - En présence de gaz sulfurés qui se dégagent par exemple des sources chaudes ou des eaux usées.
  - En présence d'équipements haute fréquence ou sans fil.
  - En présence d'émissions importantes de COV (composés organiques volatiles), dont les composés de phtalate, le formaldéhyde etc., qui peuvent provoquer un craquage chimique.

## 1-3. FICHE TECHNIQUE

### 1-3-1. BRANCHEMENT DU CORDON D'ALIMENTATION ET DU CABLE DE CONNEXION DE L'UNITE INTERNE/EXTERNE

- L'alimentation doit provenir d'un circuit unique.
- Les travaux de câblage doivent respecter les normes techniques en vigueur.
- Les raccordements doivent correspondre au schéma de câblage.
- Serrez fermement les vis.

#### Raccordement des câbles et du câble de terre

- Utiliser un conducteur massif min. AWG14 ou un conducteur toronné min. AWG14.
- Utilisez un câble en cuivre à double blindage avec isolation 600 V.
- Utilisez des conducteurs en cuivre uniquement.
- \* Respectez la réglementation électrique locale en vigueur.

#### Cordon d'alimentation et câble de terre

- Utilisez un conducteur massif ou toronné. KJ09/12NA Min. AWG14 KJ15/18NA Min. AWG12
- Utilisez des conducteurs en cuivre uniquement.
- \* Respectez la réglementation électrique locale en vigueur.

#### Remarque :

Lorsque l'unité interne est alimentée par l'unité externe, vous devez installer un sectionneur sur un circuit électrique conformément à la réglementation locale en vigueur.

### 1-3-2. CONDUITES DE REFRIGERANT

- Pour éviter la formation de condensation, isolez les deux conduites de réfrigérant.
- Le rayon de pliage de la conduite de réfrigérant doit être de 4 in. (100 mm) minimum.

#### ATTENTION

Utilisez toujours un matériau d'isolation de l'épaisseur spécifiée (tableau à droite). Une isolation trop épaisse peut être à l'origine d'une installation incorrecte de l'unité interne ; une isolation trop fine peut provoquer la formation de condensation.

- L'unité comporte des raccordements évasés sur les faces intérieure et extérieure.
- Retirez le couvercle de vanne de l'unité externe et raccordez le tuyau.
- Les conduites de réfrigérant servent à raccorder les unités interne et externe.
- Veillez à ne pas écraser ni plier de manière excessive le tuyau lors de sa mise en forme.

- Réglage du réfrigérant... Si la longueur du tuyau dépasse 25 ft. (7,5 m), une quantité supplémentaire de réfrigérant (R410A) doit être ajoutée.

(L'unité externe contient du réfrigérant pour une longueur de tuyau inférieure à 25 ft. [7,5 m])

### Spécifications électriques

MODELE	MFZ-KJ09NA MFZ-KJ12NA	MFZ-KJ15NA	MFZ-KJ18NA
<b>UNITE INTERNE</b>			
Alimentation (V, PHASE, Hz)	208/230, 1, 60		
Intensité min. du circuit (A)	1,0		
Moteur du ventilateur (F.L.A.) (A)	0,62	0,72	
<b>UNITE EXTERNE</b>			
Alimentation (V, PHASE, Hz)	208/230, 1, 60		
Taille max. des fusibles (temporisé) (A)	15	20	
Intensité min. du circuit (A)	11	16	
Moteur du ventilateur (F.L.A.) (A)	0,50	0,93	
Compresseur	(R.L.A.) (A)	8,2	12,0
	(L.R.A.) (A)	10,3	15,0
Tension de commande	Unité interne - Télécommande : (sans fil) Unité interne - Unité externe : 12-24 V c.c. (polaire)		

	Tuyau	Diamètre extérieur	Épaisseur minimum du mur	Épaisseur de l'isolation	Matériau d'isolation
		pouce (mm)			
Pour les liquides	MFZ-KJ09/12/15/18NA	1/4 (6,35)	0,0315 (0,8)	5/16 (8)	Plastique expansé résistant à la chaleur d'une densité spécifique de 0,045
	MFZ-KJ09/12NA	3/8 (9,52)	0,0315 (0,8)	5/16 (8)	
Pour le gaz	MFZ-KJ15/18NA	1/2 (12,7)	0,0315 (0,8)	5/16 (8)	

Limites		
Longueur de tuyau	MFZ-KJ09/12NA	65 ft. (20 m) max.
	MFZ-KJ15/18NA	100 ft. (30 m) max.
Différence de hauteur	MFZ-KJ09/12NA	40 ft. (12 m) max.
	MFZ-KJ15/18NA	50 ft. (15 m) max.
Nombre de coudes		10 max.

Longueur de tuyau	25 ft. (7,5 m) maximum	Aucune quantité supplémentaire n'est requise.
	25 ft. (7,5 m) minimum	Une quantité supplémentaire est requise. (Se reporter au tableau ci-dessous.)
Réfrigérant à ajouter	MFZ-KJ09/12NA	1,08 oz par 5 ft. (20 g/m)
	MFZ-KJ15/18NA	1,62 oz par 5 ft. (30 g/m)

## 1-4. SCHEMA D'INSTALLATION

### ACCESSOIRES

Vérifiez les pièces suivantes avant l'installation.  
<Unité interne>

(1)	Tuyau de vidange *1	1
(2)	Support de la télécommande	1
(3)	Vis (2) de 3,5 x 16 mm (noires)	2
(4)	Gaine du tuyau	1
(5)	Collier	2
(6)	Pile (AAA) pour (12)	2
(7)	Support de fixation de l'appareil intérieur	1
(8)	Vis de fixation pour (7) 4 x 25 mm	5
(9)	Vis à bois pour la fixation de l'appareil intérieur	4
(10)	Rondelle de (9)	4
(11)	Bande de feutre (Utilisée pour la tuyauterie côté gauche ou arrière gauche)	1
(12)	Télécommande sans fil	1

### Remarque :

\*1 Le tuyau de vidange est raccordé à l'appareil.

### PIECES FOURNIES SUR CHANTIER

(A)	Câble de connexion de l'unité interne/externe *2	1
(B)	Tuyau télescopique	1
(C)	Manchon d'ouverture murale	1
(D)	Cache d'ouverture murale	1
(E)	Bande de fixation de tuyau	2 - 5
(F)	Vis de fixation pour (E) 4 x 20 mm	2 - 5
(G)	Ruban adhésif de tuyauterie	1
(H)	Mastic	1
(J)	Tuyau d'écoulement (ou tuyau en PVC souple, 19/32 in. (15 mm) de diamètre intérieur ou tuyau en PVC dur VP16)	1
(K)	Huile réfrigérante	1
(L)	Cordon d'alimentation *2	1

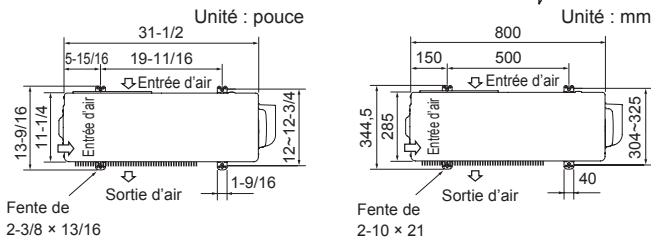
### Remarque :

\*2 Placez le câble de connexion de l'unité interne/externe (A) et le cordon d'alimentation (L) à 3 ft. (1 m) minimum du câble de l'antenne TV.

### <KJ09/12>

\*3 Min. 4 in. (100 mm) lorsque l'avant et les côtés de l'unité sont dégagés

\*4 Lorsque l'un des 2 côtés (gauche ou droit) et l'arrière de l'unité sont dégagés



Les unités doivent être installées par des entrepreneurs agréés conformément à la réglementation locale en vigueur.

### Remarque :

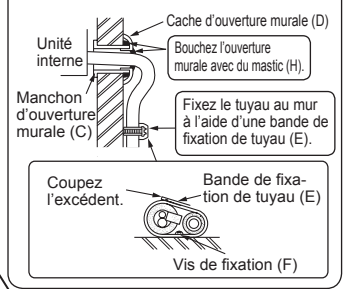
- Les dimensions indiquées à l'intérieur des flèches (↔) ci-dessus montrent l'espace requis pour garantir les performances du climatiseur. Installez l'unité externe à un endroit où elle pourra bénéficier du maximum d'espace possible en pensant à un possible changement de place futur, à l'entretien ou aux réparations.
- Les performances de refroidissement/chauffage et le rendement électrique peuvent diminuer d'environ 10% à un endroit où un cycle court peut potentiellement se produire pour cause de mauvaise ventilation. L'installation du guidage de sortie d'air (en option) peut améliorer les performances.
- Si de l'air expulsé par la sortie souffle contre le mur, il pourrait tacher le mur.

### Tuyau de vidange pour unité externe

Installez l'unité horizontalement.

N'utilisez pas de prise de vidange dans des régions froides. Sinon, l'eau de vidange pourrait geler et provoquer l'arrêt du ventilateur. L'unité externe produit de la condensation lors de la phase de chauffage. Choisissez l'emplacement d'installation de façon à veiller à ce que l'unité externe et/ou le sol ne deviennent pas humides en raison de condensats ou qu'ils ne soient pas endommagés par du condensat gelé.

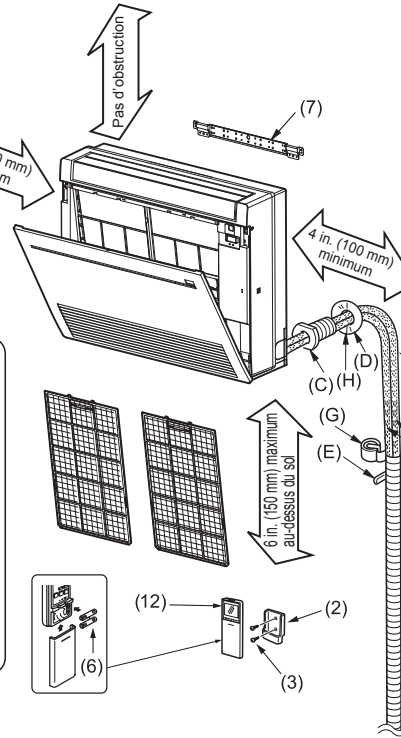
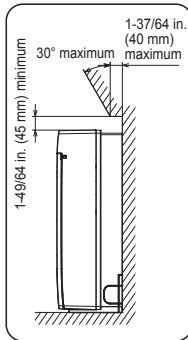
Utilisez le manchon d'ouverture murale (C) pour éviter tout contact entre le câble de connexion de l'unité interne/externe (A) et les pièces métalliques du mur ou toute détérioration causée par les rongeurs.



Après le contrôle des fuites, appliquez soigneusement du matériau d'isolation pour obstruer les trous.

Si la tuyauterie doit être fixée sur un mur contenant de l'étain ou un treillis métallique, utilisez un morceau de bois traité d'une épaisseur de 25/32 in. (20 mm) minimum entre le mur et la tuyauterie en lui appliquant 7 à 8 couches de ruban adhésif en vinyle. Pour utiliser la tuyauterie existante, lancez le mode de REFROIDISSEMENT (COOL) pendant 30 minutes et purgez avant de déposer l'ancien climatiseur. Effectuez l'évase-ment selon les dimensions du nouveau réfrigérant.

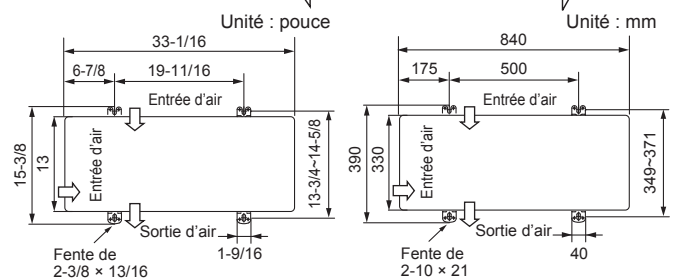
**Obstacles au-dessus de l'appareil**  
Un obstacle peut être installé dans la zone suivante.



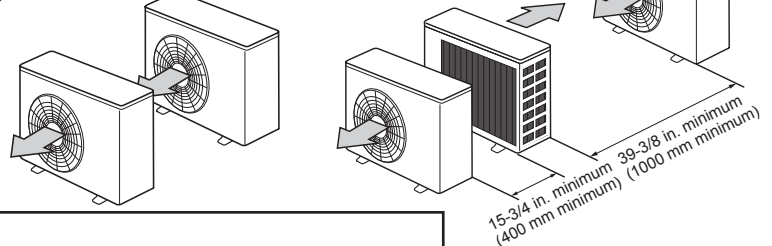
### <KJ15/18>

\*5 Min. 20 in. (500 mm) lorsque l'avant et les côtés de l'unité sont dégagés

\*6 Lorsque l'un des 2 côtés (gauche ou droit) et l'arrière de l'unité sont dégagés



N'aspirez pas directement l'air expulsé par d'autres unités.





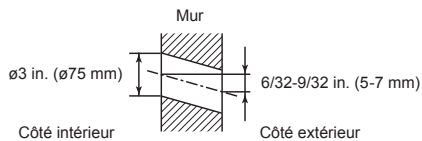
## 2. INSTALLATION DE L'UNITE INTERNE

### 2-1. INSTALLATION DU SUPPORT DE FIXATION DE L'UNITE INTERNE

- Repérez un matériau de structure (comme un goujon) dans le mur et fixez le support (7) horizontalement à l'aide de vis de fixation (8).
- Pour éviter toute vibration du support (7), veillez à installer les vis de fixation dans les trous indiqués sur l'illustration. Pour obtenir un support supplémentaire, vous pouvez également poser des vis de fixation dans d'autres trous.

### 2-2. PERCEMENT D'UNE OUVERTURE

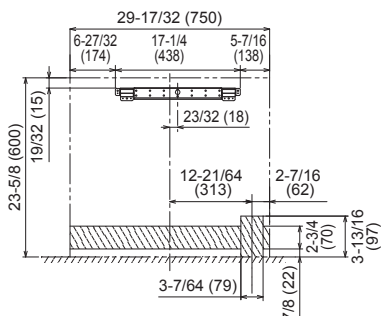
- 1) Déterminer la position de l'ouverture murale.
- 2) Percez un orifice de 3 in. (75 mm) de diamètre. Le côté extérieur doit être 6/32 à 9/32 in. (5 à 7 mm) plus bas que le côté intérieur.
- 3) Insérer le manchon d'ouverture murale (C).



#### POSITIONNEMENT DES TROUS

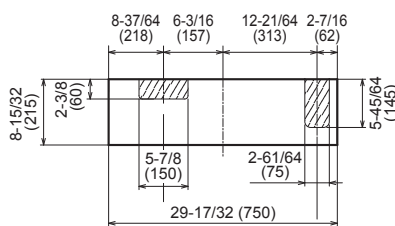
##### POUR LA TUYAUTERIE COTE GAUCHE OU ARRIERE GAUCHE

(Le schéma suivant représente une vue de face de l'emplacement d'installation de l'appareil intérieur.)

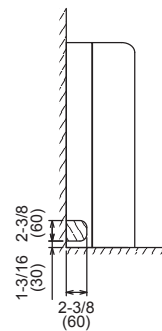


##### POUR LA TUYAUTERIE INCLINEE VERS LE BAS COTE DROIT OU GAUCHE

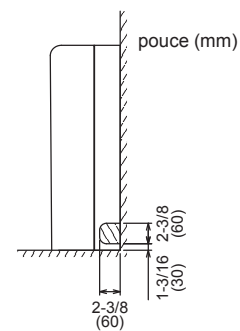
(Le schéma suivant présente une vue plongeante de la partie inférieure de l'appareil intérieur.)



##### POUR LA TUYAUTERIE COTE GAUCHE



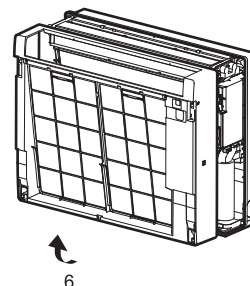
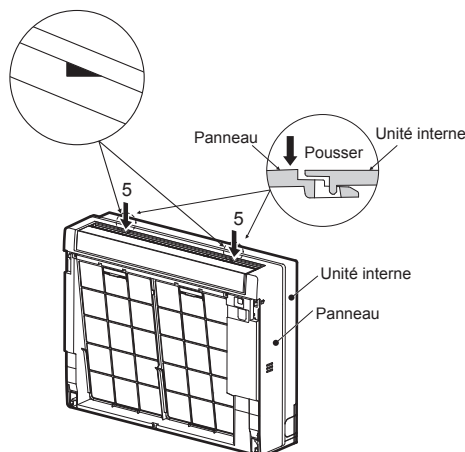
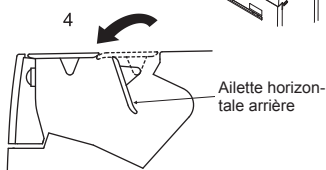
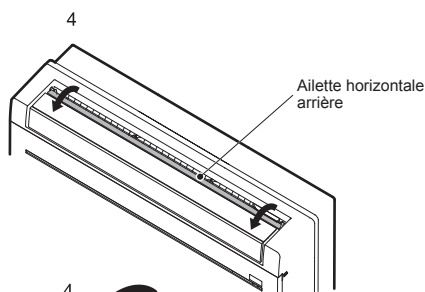
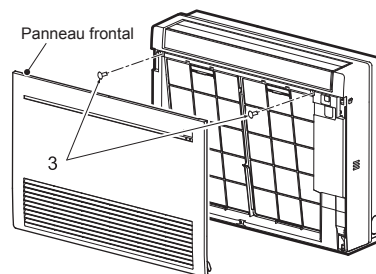
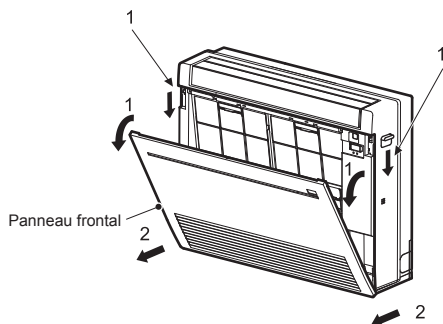
##### POUR LA TUYAUTERIE COTE DROIT



### 2-3. PREPARATION DE L'APPAREIL INTERIEUR

Déposez le panneau frontal de l'unité intérieure.

- 1) Poussez vers le bas l'attache des deux côtés de l'unité pour ouvrir le panneau avant.
- 2) Tirez le panneau avant vers vous pour le déposer.
- 3) Retirez les 2 vis.
- 4) Ouvrez l'ailette horizontale arrière.
- 5) Appuyez sur les 2 zones du haut du panneau puis tirez la partie supérieure du panneau vers vous.
- 6) Soulevez (légèrement) le panneau pour le dégager.



## 2-4. INSTALLATION DE L'APPAREIL INTERIEUR

pouce (mm)

### 2-4-1. INSTALLATION DE L'APPAREIL INTERIEUR SUR LE SOL

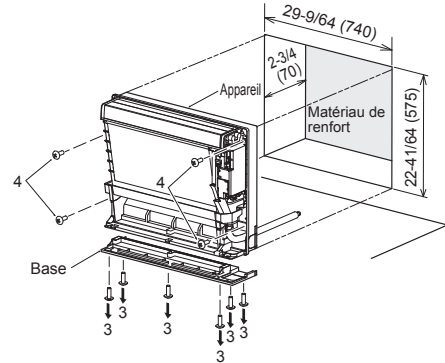
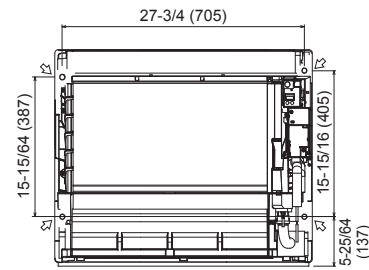
1. Placez l'appareil intérieur sur un sol plat.
2. Fixez l'appareil intérieur en 4 points à l'aide des vis à bois (9) et des rondelles (10) fournies. Serrez fermement les vis.

### 2-4-2. INSTALLATION DE L'APPAREIL INTERIEUR SUR LE MUR

1. Fixez le haut de l'appareil intérieur sur le support de fixation (7) qui lui est réservé.
2. Fixez l'appareil intérieur en 4 points à l'aide des vis à bois (9) et des rondelles (10) fournies. Serrez fermement les vis.

### 2-4-3. ENCASTREMENT DE L'APPAREIL INTERIEUR DANS UN MUR

1. Percez un trou dans le mur.
2. Réglez la profondeur à l'aide de matériau de renfort.
3. Retirez les 6 vis qui fixent la base à l'appareil. Retirez la base de l'appareil.
4. Fixez l'appareil intérieur en 4 points à l'aide des vis à bois (9) et des rondelles (10) fournies. Serrez fermement les vis.



## 2-5. CINTRAGE ET INSTALLATION DE LA TUYAUTERIE

**Remarque :** Voir point 4. RACCORDS A EVASEMENT, RACCORDS DE TUYAUTERIE.

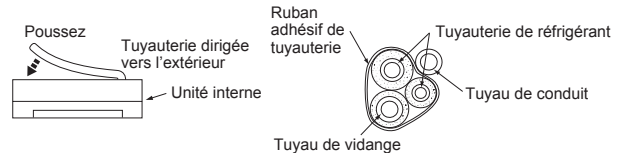
### Cintrage de la tuyauterie

- Acheminez le tuyau de vidange en diagonale sous les tuyaux de connexion.
- Veillez à ce que le tuyau de vidange ne soit pas acheminé vers le haut et que le tuyau n'ondule pas.
- Ne tirez pas le tuyau de vidange, puis enroulez du ruban autour.
- Acheminez la tuyauterie de sorte qu'elle ne dépasse pas de l'arrière de l'appareil intérieur (Consultez le schéma de droite.)

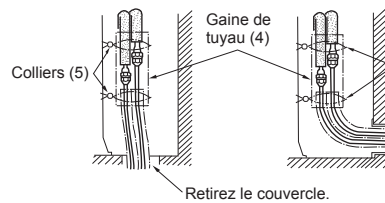
### Installation de la tuyauterie de connexion

- Installez les tuyaux de connexion de façon à ce qu'ils puissent bouger légèrement vers l'avant, l'arrière, la gauche et la droite.

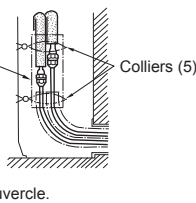
- Veillez à isoler les tuyaux de connexion de manière qu'ils n'entrent pas en contact avec le panneau.
- Veillez à ne pas écraser les tuyaux de connexion en les pliant. (Utiliser une cintreuse de tubes pour la tuyauterie gauche ou droite.)
- Il n'est pas possible de fixer la gaine isolante sans raccorder le tuyau de conduit après avoir connecté les tuyaux.



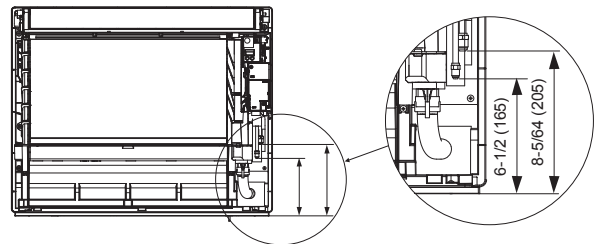
### TUYAUTERIE INCLINEE VERS LE BAS COTE DROIT



### TUYAUTERIE AUTRE



Retirez le couvercle.



### POUR LA TUYAUTERIE COTE GAUCHE OU ARRIERE GAUCHE

Attachez les tuyaux de connexion et le tuyau de vidange ensemble, puis entourez-les d'une bande de feutre (11).

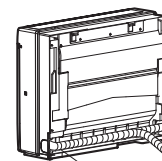
Coupez et utilisez les panneaux latéraux inférieurs sur les côtés gauche et droit de l'appareil intérieur comme indiqué ci-dessous. Limez les bords coupés des panneaux latéraux pour éviter qu'ils endommagent le revêtement isolant.

- Pour la tuyauterie côté gauche ou côté droit
- Pose d'un dispositif de vidange contre un mur avec plinthe

Enroulez la bande de feutre (11) fermement autour des tuyaux et du flexible en commençant à partir de l'appareil intérieur. (La largeur de chevauchement de la bande de feutre (11) ne doit pas dépasser 1/2 de la largeur totale de la bande.)



Coupez les panneaux latéraux inférieurs pour qu'ils correspondent à la hauteur de la plinthe.



Bande de feutre (11)

Veillez à ce que le tuyau de vidange ne soit pas acheminé vers le haut.

Commencez par enrouler le ruban adhésif de tuyauterie (G) autour des tuyaux et du flexible à 25/64 in. (10 mm) à l'intérieur de l'appareil intérieur.

Fixez l'extrémité de la bande de feutre (11) à l'aide d'une agrafe de bande.

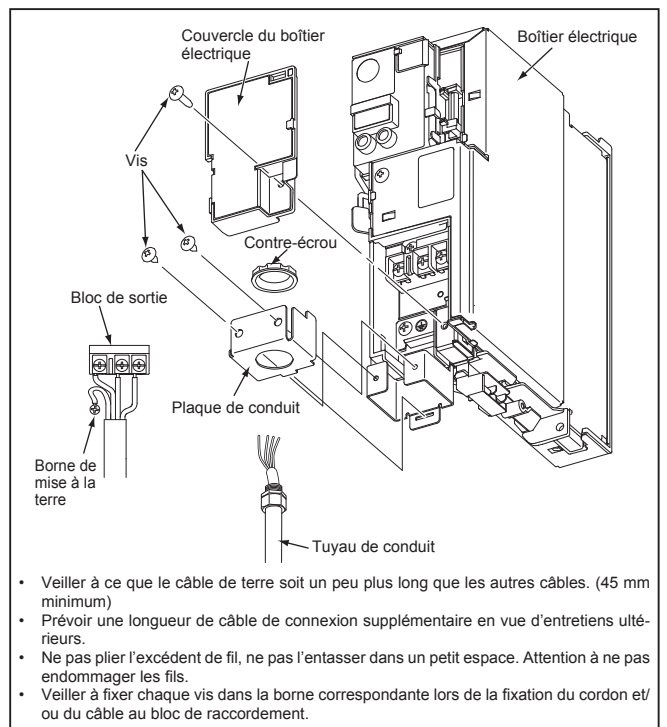
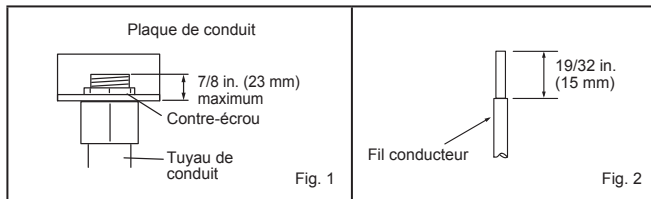
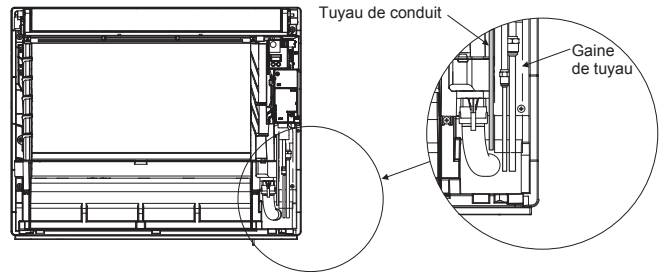
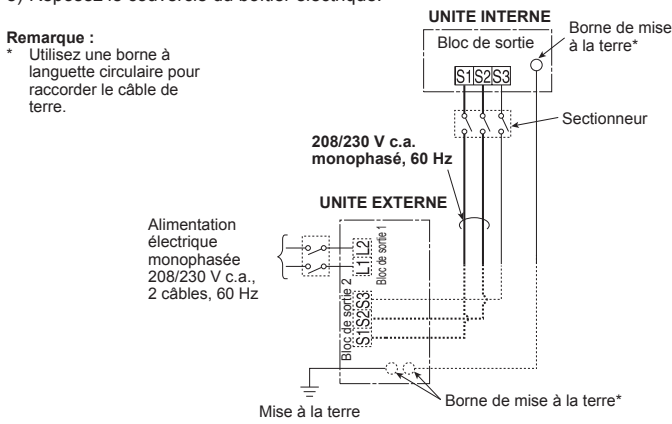
## 2-6. RACCORDEMENT DES CABLES DE L'UNITE INTERNE

**Remarque :** L'unité doit être installée par un professionnel/électricien autorisé. Si les réglementations nationales, de l'état et locales applicables l'exigent, il faudra installer un sectionneur quand l'unité interne est alimentée par l'unité externe.

- 1) Retirez le couvercle du boîtier électrique.
- 2) Retirez la plaque de conduit.
- 3) Fixez le tube de canalisation sur la plaque de conduit à l'aide du contre-écrou. Le câble de connexion (A) de l'unité interne/externe qui apparaît à l'intérieur du tube de canalisation doit être inférieur à 7/8 in. (23 mm). (Fig. 1)
- 4) Préparez l'extrémité du câble de terre (Fig. 2). Branchez-la à la borne de mise à la terre du boîtier électrique.
- 5) Préparez l'extrémité du câble de connexion de l'unité interne/externe (A) (Fig. 2). Branchez-la au bloc de raccordement. Veillez à ne pas effectuer d'erreur de branchement. Fixez fermement le câble au bloc de raccordement pour ne pas faire apparaître son noyau et n'appliquez aucune force extérieure à la section de branchement du bloc de raccordement.
- 6) Serrez fermement les vis de fixation. Après l'opération de serrage, vérifiez que les câbles sont bien fixés.
- 7) Reposez la plaque de conduit.
- 8) Reposez le couvercle du boîtier électrique.

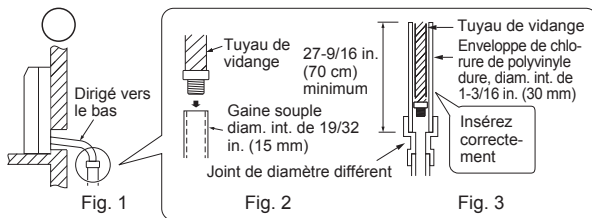
**Remarque :**

\* Utilisez une borne à languette circulaire pour raccorder le câble de terre.

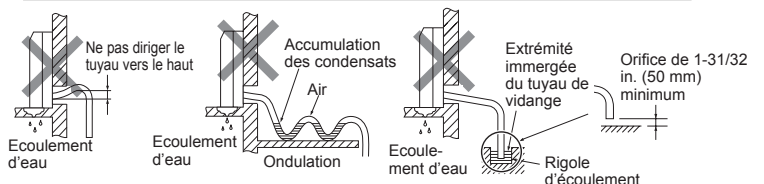


## 2-7. TUYAUTERIE DE VIDANGE

- Si la rallonge du tuyau de vidange doit traverser une pièce, veillez à l'envelopper d'un isolant disponible dans le commerce.
- Le tuyau de vidange doit être dirigé vers le bas pour faciliter l'écoulement. (Fig. 1)
- Si le tuyau de vidange fourni avec l'unité interne est trop court, connectez-le au tuyau de vidange (J) se trouvant dans le local d'installation. (Fig. 2)
- Lors du raccordement du tuyau de vidange à l'enveloppe de chlorure de polyvinyle dure, veillez à l'insérer correctement dans l'enveloppe. (Fig. 3)

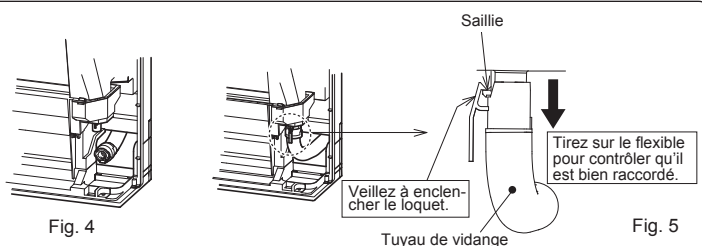


Les exemples d'installation de la tuyauterie de vidange illustrés ci-dessous sont à éviter.



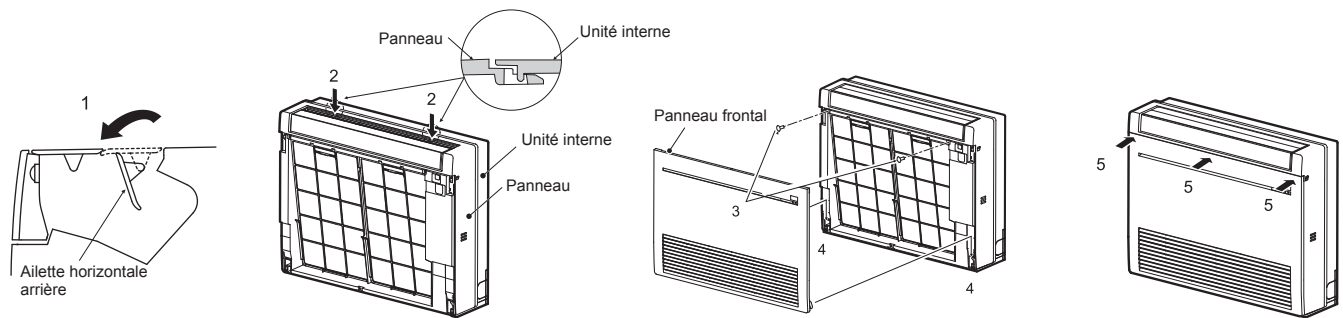
**Le tuyau de vidange est déposé lors de l'installation.**

- Lors de l'acheminement de la tuyauterie de vidange, veillez à acheminer le tuyau de vidange (1) comme indiqué. (Fig. 4)
- Insérez complètement le tuyau de vidange dans le fond du bac de vidange (connexion terminale). (Fig. 5)
- Veillez à ce que le loquet du tuyau de vidange soit solidement accroché sur la saillie du raccord de tuyau du bac de vidange.
- Après avoir raccordé le flexible de drainage, n'oubliez pas de tirer sur le flexible pour contrôler qu'il est bien raccordé.



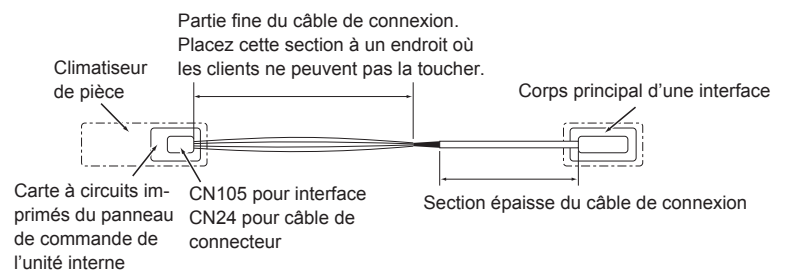
## 2-8. INSTALLATION DU PANNEAU FRONTAL

- 1) Ouvrez l'aillette horizontale arrière.
- 2) Fixez le panneau. Vérifiez que les loquets sont engagés.
- 3) Fixez le panneau à l'aide de vis.
- 4) Insérez la partie inférieure du panneau frontal.
- 5) Appuyez sur la partie supérieure du panneau frontal en 3 emplacements pour la fermer.



## 2-9. RACCORDEMENT D'UN CÂBLE D'INTERFACE (option)/CÂBLE DE CONNECTEUR (option) AU CLIMATISEUR

- A l'aide d'un câble de connexion, connectez un câble d'interface/de connexion à la carte à circuits imprimés du panneau de commande de l'appareil intérieur d'un climatiseur.
- Une coupure ou une extension du câble de connexion du câble d'interface/de connecteur provoquera des défauts de connexion. Ne groupez pas le câble de connexion avec le cordon d'alimentation électrique, le câble de connexion de l'unité interne/externe, et/ou le câble de mise à la terre. Eloignez autant que possible le câble de connexion de ces câbles.
- La section fine du câble de connexion doit être stockée et placée à un endroit où les clients ne peuvent pas la toucher.

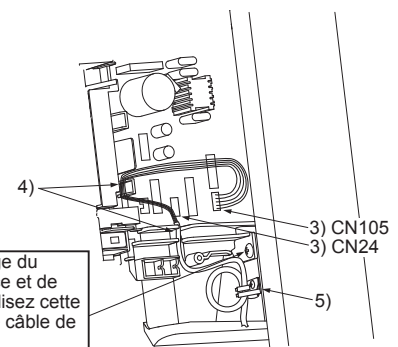


- 1) Retirez le panneau.
- 2) Ouvrez le couvercle de la carte à circuits imprimés du panneau de commande de l'unité interne.
- 3) Raccordez le câble de connexion au point CN105 et/ou CN24 de la carte à circuits imprimés du panneau de commande de l'appareil intérieur.
- 4) Acheminez le câble de connexion via le point illustré.
- 5) Fixez le serre-câble fourni avec le câble d'interface/de connecteur sur la section épaisse du câble de connexion à l'aide d'une vis de 4x16, comme illustré.
- 6) Fermez le couvercle de la carte à circuits imprimés du panneau de commande de l'unité interne. Veillez à ne pas coincer la section fine du câble de connexion avec le couvercle. Réinstallez le panneau.

### **AVERTISSEMENT**

Fixez correctement le câble de connexion à l'emplacement indiqué. Une installation incorrecte risque d'être à l'origine d'un choc électrique, d'un incendie et/ou d'un dysfonctionnement.

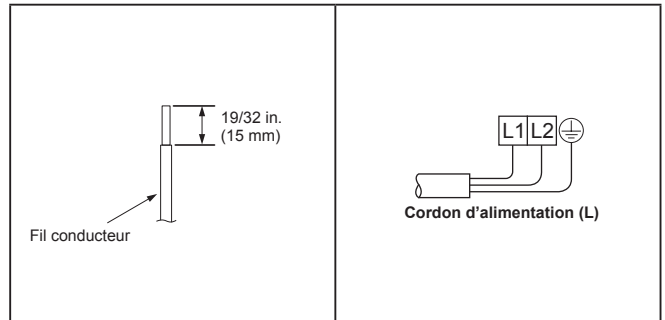
Pour le montage du câble d'interface et de connecteur, utilisez cette vis pour fixer le câble de connexion.



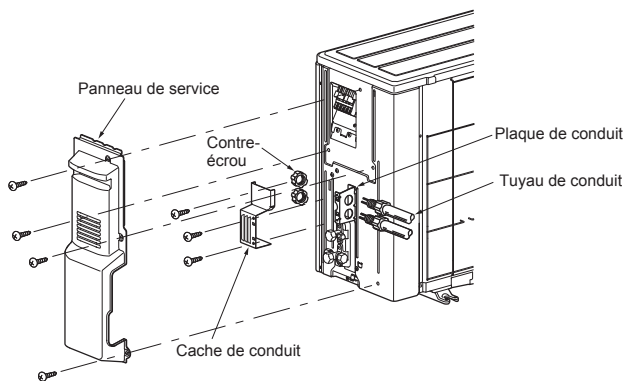
## 3. INSTALLATION DE L'UNITE EXTERNE

### 3-1. RACCORDEMENT DES CABLES DE L'UNITE EXTERNE

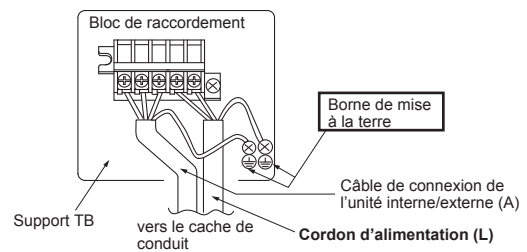
- 1) Retirez le panneau de service.
- 2) Déposez le cache de conduit.
- 3) Attachez les connecteurs de conduit sur la plaque à l'aide de contre-écrous, puis fixez la plaque sur l'unité avec des vis.
- 4) Raccordez les câbles de terre du câble de connexion de l'unité interne/externe (A) et du cordon d'alimentation (L) au support TB.
- 5) Desserrez les vis de fixation, puis branchez correctement le câble de connexion de l'unité interne/externe (A) et le cordon d'alimentation (L) depuis l'unité interne au bloc de raccordement. Fixez fermement les câbles au bloc de raccordement de façon à ne pas faire apparaître les noyaux et à ce qu'aucune force extérieure ne soit appliquée au niveau de la section de branchement du bloc de raccordement.
- 6) Serrez fermement les vis de fixation. Après l'opération de serrage, vérifiez que les câbles sont bien fixés.
- 7) Installez le cache de conduit.
- 8) Reposez correctement le panneau de service.



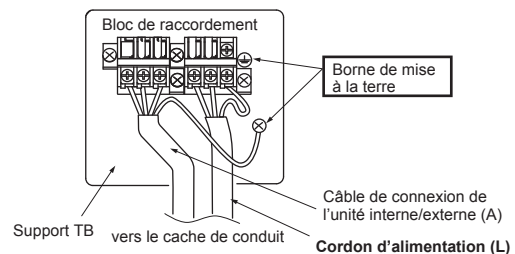
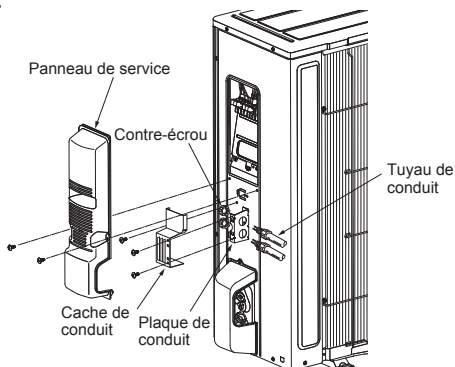
<KJ09/12>



- Veillez à ce que le câble de terre soit un peu plus long que les autres. (4 in. [100 mm] minimum)
- Laissez du jeu dans les câbles de connexion en vue d'entretiens ultérieurs.
- Veillez à fixer chaque vis dans la borne correspondante lors de la fixation du cordon et/ou du câble au bloc de raccordement.



<KJ15/18>



### 3-2. CINTRAGE ET INSTALLATION DE LA TUYAUTERIE

Remarque : Voir point 4. RACCORDS A EVAISEMENT, RACCORDS DE TUYAUTERIE.

### 3-3. ISOLATION THERMIQUE ET RUBANAGE

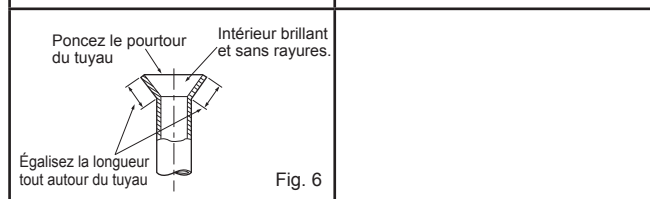
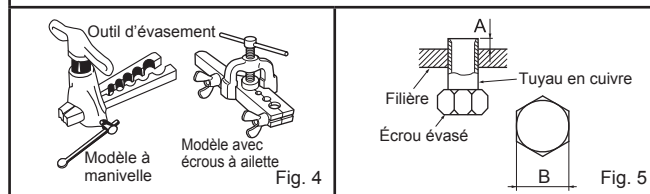
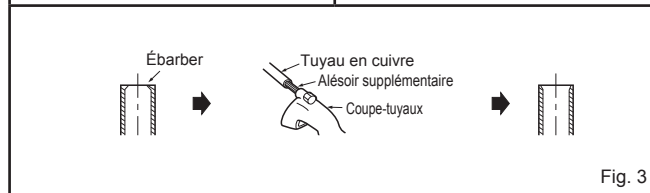
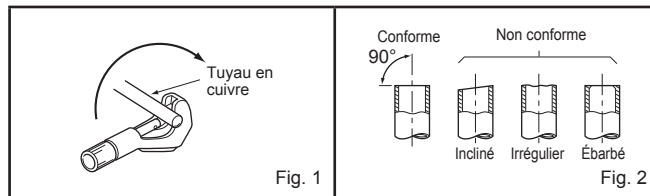
- 1) Recouvrez les raccords de tuyauterie d'une bande isolante pour tuyaux.
- 2) Du côté de l'unité externe, isolez chaque tuyau, vannes incluses.
- 3) Appliquez du ruban adhésif de tuyauterie (G) en commençant par l'entrée de l'unité externe.
  - Si la tuyauterie doit passer par le plafond, un placard ou dans un endroit où la température et l'humidité sont élevées, ajoutez une couche supplémentaire de bande isolante fournie sur chantier pour éviter la formation de condensation.

## 4. RACCORDS A EVASEMENT, RACCORDS DE TUYAUTERIE

### 4-1. RACCORD EVASE

- 1) Coupez correctement le tuyau de cuivre avec un coupe-tuyaux. (Fig. 1, 2)
- 2) Ébarbez parfaitement la partie tronçonnée du tuyau en évitant d'introduire des éclats de métal dans la tuyauterie. (Fig. 3)
- 3) Retirez les écrous évasés fixés sur les unités interne et externe, puis posez-les sur le tuyau.
- 4) Travaux d'évasement (Fig. 4, 5). Tenez fermement le tuyau de cuivre à la dimension indiquée dans le tableau. Sélectionnez A en pouce (mm) dans le tableau suivant l'outil que vous utilisez.
- 5) Contrôle
  - Comparez les travaux d'évasement à la Fig. 6.
  - Si l'évasement n'est pas conforme, coupez la section et recommencez la procédure.

Diamètre du tuyau en pouce (mm)	B en pouce (mm)	A en pouce (mm)			Couple de serrage	
		Outil à manivelle pour le modèle R410A	Outil à manivelle pour le modèle R22	Écrou à oreilles pour le modèle R22	pi-lb (kgf·cm)	N·m
ø 1/4 (6,35)	21/32 (17)	0 - 0,02 (0 - 0,5)	0,04 - 0,06 (1,0 - 1,5)	0,06 - 0,08 (1,5 - 2,0)	10 - 13 (140 - 180)	13,7 - 17,7
ø 3/8 (9,52)	7/8 (22)			25 - 30 (350 - 420)	34,3 - 41,2	
ø 1/2 (12,7)	1-1/32 (26)			36 - 42 (500 - 575)	49,0 - 56,4	
ø 5/8 (15,88)	1-5/32 (29)			0,08 - 0,10 (2,0 - 2,5)	54 - 58 (750 - 800)	73,5 - 78,4



### 4-2. RACCORDEMENT DES TUYAUX

- Serrez l'écrou évasé avec une clé dynamométrique comme spécifié dans le tableau.
- S'il est trop serré, il risque de se rompre et de provoquer une fuite de réfrigérant.
- Assurez-vous que la tuyauterie est enveloppée d'isolant. Un contact direct avec la tuyauterie nue peut entraîner des brûlures ou des engelures.

#### Raccordement de l'unité interne

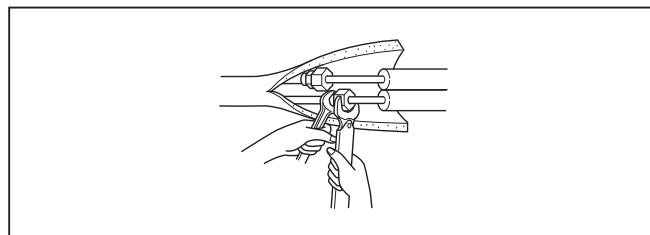
Raccordez les deux tuyaux de liquide et de gaz à l'unité interne.

- Appliquez une fine couche d'huile réfrigérante (K) sur les extrémités évasées des tuyaux. N'appliquez pas d'huile réfrigérante sur les filetages. Un couple de serrage excessif endommagera la vis.
- Pour effectuer le raccordement, alignez d'abord le centre, puis serrez l'écrou évasé de 3 à 4 tours.
- Respectez les couples de serrage indiqués dans le tableau ci-dessus pour raccorder la tuyauterie de l'unité interne et serrez avec deux clés. Un serrage excessif risque d'endommager la partie évasée.

#### Raccordement de l'unité externe

Raccordez les tuyaux au raccord de tuyau du robinet d'arrêt de l'unité externe de la même façon que pour l'unité interne.

- Pour le serrage, utilisez une clé dynamométrique ou plate.



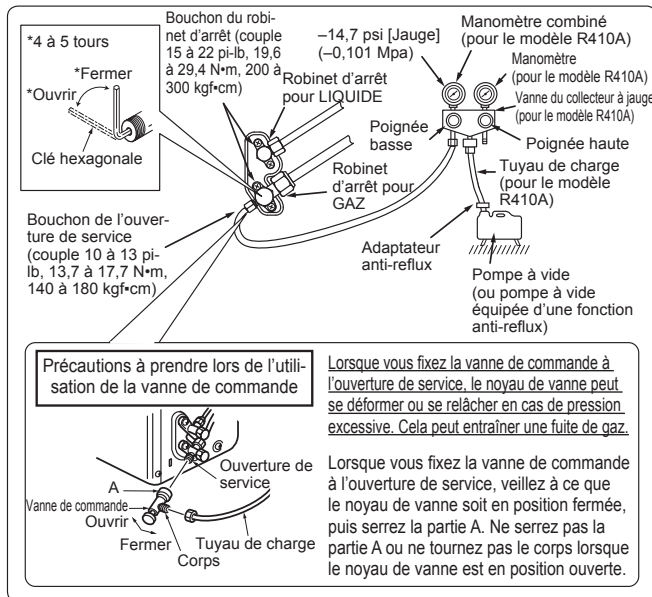
#### ⚠ AVERTISSEMENT

Pendant l'installation de l'appareil, branchez correctement les tuyaux de réfrigérant avant de lancer le compresseur.

## 5. PROCEDURES DE PURGE, TEST DE CONTROLE DES FUITES ET ESSAI DE FONCTIONNEMENT

### 5-1. PROCEDURES DE PURGE ET TEST DE CONTROLE DES FUITES

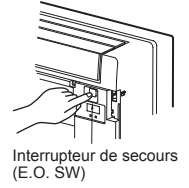
- Retirez les bouchons des ouvertures de service des robinets d'arrêt des deux côtés des tuyaux de réfrigérant. (Les robinets d'arrêt sont entièrement fermés à la livraison.) Laissez-les fermés.
- Raccordez le collecteur à jauge aux ouvertures des robinets d'arrêt.



- Purgez le système à 4000 microns via les deux vannes de service. Les jauges du collecteur système ne peuvent pas être utilisées pour mesurer la dépression. Une jauge micrométrique doit toujours être utilisée. Cassez la dépression en introduisant de l'azote (N<sub>2</sub>) dans la soupape de refoulement de service à 0 PSIG.
- Purgez le système à 1500 microns. Cassez la dépression en introduisant de l'azote (N<sub>2</sub>) dans la soupape de refoulement de service à 0 PSIG.
- Purgez le système à 500 microns.
- Fermez les vannes du collecteur à jauge, arrêtez la pompe et effectuez un test d'augmentation de 30 minutes.
- Le système doit conserver la dépression à 500 microns pendant 1 heure au minimum.
- Ouvrez complètement les robinets d'arrêt des deux côtés des tuyaux de liquide et de gaz. La mise en service sans ouvrir complètement les robinets d'arrêt diminue le rendement de l'appareil et peut être source de panne.
- Reportez-vous au point 1-3 et chargez la quantité de réfrigérant supplémentaire recommandée si nécessaire. Veillez à charger lentement le liquide réfrigérant. Sinon, la composition de réfrigérant dans le système peut changer et affecter les performances du climatiseur.
- Déposez les collecteurs à jauge, remplacez et serrez les bouchons des ouvertures de service.
- Test de contrôle des fuites

### 5-2. ESSAI DE FONCTIONNEMENT

- Insérez la fiche d'alimentation électrique dans la prise secteur et/ou enclenchez le disjoncteur.
- Appuyez une fois sur l'interrupteur de secours (E.O. SW) pour le REFROIDISSEMENT (COOL), et deux fois pour le CHAUFFAGE (HEAT). L'essai de fonctionnement va s'effectuer pendant 30 minutes. Si le témoin de fonctionnement gauche clignote toutes les 0,5 seconde, vérifiez le câble de connexion de l'unité interne/externe (A) pour détecter tout mauvais branchement. Le mode d'urgence (température réglée sur 75°F [24°C]) prendra le relais à la fin de l'essai de fonctionnement.
- Pour arrêter le fonctionnement, appuyez plusieurs fois sur le bouton E.O. SW, jusqu'à ce que les témoins LED s'éteignent. Consultez la notice d'utilisation pour plus d'informations.



#### Contrôle de la réception des signaux (infrarouges) de la télécommande

Appuyez sur la touche ARRET/MARCHE de la télécommande (12) et vérifiez l'audibilité du signal de l'unité interne. Appuyez de nouveau sur la touche ARRET/MARCHE de la télécommande pour éteindre le climatiseur.

- A l'arrêt du compresseur, le dispositif de prévention du redémarrage se met en marche pour éviter le redémarrage du compresseur pendant 3 minutes et protéger le climatiseur.

### 5-3. FONCTION DE REDEMARRAGE AUTOMATIQUE

Ce produit est équipé d'une fonction de redémarrage automatique. Lorsque l'alimentation se coupe pendant le fonctionnement (pannes d'électricité), la fonction remet automatiquement l'unité en marche sur le réglage précédent dès que l'alimentation est rétablie. (Consultez les instructions d'utilisation pour plus d'informations.)

#### Attention :

- Après l'essai de fonctionnement ou le contrôle de la réception de signaux de la télécommande, éteignez l'unité à l'aide de l'interrupteur de secours (E.O. SW) ou la télécommande avant de couper l'alimentation. Si cette procédure n'est pas effectuée, l'unité se remet automatiquement en marche lorsque l'alimentation est rétablie.

#### A l'attention de l'utilisateur

- Après l'installation de l'unité, expliquez à l'utilisateur la fonction de redémarrage automatique.
- Si la fonction de redémarrage automatique n'est pas nécessaire, elle peut être désactivée. Adressez-vous au responsable de l'entretien pour désactiver cette fonction. Consultez le manuel d'entretien pour plus d'informations.

### 5-4. EXPLICATIONS DESTINEES A L'UTILISATEUR

- A l'aide des INSTRUCTIONS DE FONCTIONNEMENT, expliquez à l'utilisateur l'emploi du climatiseur (utilisation de la télécommande, remplacement des filtres à air, retrait ou placement de la télécommande sur son support, nettoyage, précautions, etc.).
- Recommandez à l'utilisateur de lire attentivement les INSTRUCTIONS DE FONCTIONNEMENT.

## 6. PURGE

Lors du déplacement ou de la mise au rebut du climatiseur, il est nécessaire de purger le système en suivant la procédure ci-dessous de façon à ne pas libérer de réfrigérant dans l'atmosphère.

- Raccordez la vanne du collecteur à jauge à l'ouverture de service du robinet d'arrêt du côté du conduit de gaz de l'unité externe.
- Fermez complètement le robinet d'arrêt du côté du conduit de liquide de l'unité externe.
- Fermez presque complètement le robinet d'arrêt du côté du conduit de gaz de l'unité externe pour faciliter sa fermeture complète lorsque le manomètre indique 0 psi [Jauge] (0 Mpa).
- Lancez le mode de REFROIDISSEMENT (COOL) d'urgence.  
Pour lancer le fonctionnement d'urgence en mode de REFROIDISSEMENT (COOL), débranchez la fiche d'alimentation électrique et/ou coupez le disjoncteur. Au bout de 15 secondes, rebranchez la fiche d'alimentation électrique et/ou enclenchez le disjoncteur, puis appuyez une fois sur l'interrupteur de secours (E.O. SW). (Le REFROIDISSEMENT [COOL] d'urgence peut être exécuté en continu pendant 30 minutes maximum).
- Fermez complètement le robinet d'arrêt du côté du tuyau de gaz de l'unité externe lorsque le manomètre indique (0,1 à 0 psi [Jauge] (0,05 à 0 Mpa)).
- Arrêtez le mode de REFROIDISSEMENT (COOL) d'urgence.  
Pour arrêter le fonctionnement, appuyez plusieurs fois sur l'interrupteur de secours (E.O. SW) jusqu'à ce que les témoins LED s'éteignent. Consultez les instructions d'utilisation pour plus d'informations.

#### ⚠ AVERTISSEMENT

Pendant l'opération d'aspiration du réfrigérant, arrêtez le compresseur avant de débrancher les tuyaux de réfrigérant. Le compresseur peut éclater si de l'air, etc. pénètre à l'intérieur.

# **mitsubishi electric corporation**

HEAD OFFICE: TOKYO BUILDING, 2-7-3, MARUNOUCHI, CHIYODA-KU, TOKYO 100-8310, JAPAN

RG79Y918H02