




Job Name:

System Reference:

Date:

Indoor Unit: MSZ-WR24NA	Outdoor Unit: MUZ-WR24NA	Wireless Remote Controller
		

GENERAL FEATURES

- Single-zone heat pump systems
- Blue Fin anti-corrosion treatment applied to the outdoor unit heat exchanger for increased coil protection and longer life
- Four fan speeds: Low, Medium, High, Super-high
- Anti-mold filter
- INVERTER-driven heat pump
- Cooling operation range: 32° F to 115° F
- Heating operation range: 5° F to 75° F
- Multiple control options available:
 - Hand-held Remote Controller (provided with unit)
 - kumo cloud® smart device app for remote access
 - Third-party interface options
 - Wired or wireless controllers
- 12-hour timer
- ECONO COOL mode
- AUTO restart
- The outdoor unit powers the indoor unit and should a power outage occur, the system is automatically restarted when the power returns.

SPECIFICATIONS: MSZ-WR24NA & MUZ-WR24NA

Cooling at 95°F ¹	Maximum Capacity	BTU/H	22,500
	Rated Capacity	BTU/H	22,500
	Minimum Capacity	BTU/H	5,800
	Maximum Power Input	W	2,810
	Rated Power Input	W	2,810
	Moisture Removal	Pints/h	2.3
	Sensible Heat Factor		0.89
	Power Factor (208/230V)	%	99/99
Cooling at 82°F	Maximum Capacity	BTU/H	24,840
	Rated Capacity	BTU/H	24,200
	Minimum Capacity	BTU/H	6,404
	Maximum Power Input	W	2,528
	Rated Power Input	W	2,528
Heating at 47°F ²	Maximum Capacity	BTU/H	26,000
	Rated Capacity	BTU/H	26,000
	Minimum Capacity	BTU/H	5,400
	Maximum Power Input	W	2,680
	Rated Power Input	W	2,680
	Power Factor	%	99/99
Heating at 17°F ³	Maximum Capacity	BTU/H	18,500
	Rated Capacity	BTU/H	18,500
	Maximum Power Input	W	2,460
	Rated Power Input	W	2,460
Heating at 5°F ⁴	Maximum Capacity	BTU/H	15,600
	Maximum Power Input	W	2,230
Efficiency	SEER		16.0
	EER ¹		8.0
	HSPF (IV)		8.5
	COP at 47°F ²		2.84
	COP at 17°F in Maximum Capacity ³		2.20
	COP at 5°F in Maximum Capacity ⁴		2.05
Electrical	Voltage, Phase, Frequency		208/230V, 1 phase, 60Hz
	Guaranteed Voltage Range	V AC	187-253
	Voltage: Indoor - Outdoor, S1-S2	V AC	208/230
	Voltage: Indoor - Outdoor, S2-S3	V DC	24
	Short-circuit Current Rating (SCCR)	kA	5
	Recommended Fuse/Breaker Size (Outdoor)	A	15
	Recommended Wire Size (Indoor - Outdoor)	AWG	14
Indoor Unit	MCA	A	1
	Blower Motor Full Load Amperage	A	0.67
	Blower Motor Output	W	30

SPECIFICATIONS: MSZ-WR24NA & MUZ-WR24NA

	Airflow Rate at Cooling, Dry	CFM	702-530-431-353
	Airflow Rate at Cooling, Wet	CFM	632-477-388-318
	Airflow Rate at Heating, Dry	CFM	702-579-448-346
	Sound Pressure Level (Cooling)	dB(A)	50-44-38-33
	Sound Pressure Level (Heating)	dB(A)	50-44-38-32
	Drain Pipe Size	In. (mm)	5/8 (15.88)
	Heat Exchanger Type	Plate fin coil	
	External Finish Color	Munsell 1.0Y 9.2/0.2	
	Unit Dimensions	W: In. (mm)	36-5/16 (923)
		D: In. (mm)	9-13/16 (250)
		H: In. (mm)	12 (305)
	Package Dimensions	W: In. (mm)	39 (990)
		D: In. (mm)	13 (330)
		H: In. (mm)	15 (380)
Unit Weight	Lbs. (kg)	28 (13)	
Package Weight	Lbs. (kg)	33 (15)	
Indoor Unit Operating Temperature Range	Cooling Intake Air Temp (Maximum / Minimum)*	°F	90F D.B / 73F W.B // 67F D.B / 57F W.B
	Heating Intake Air Temp (Maximum / Minimum)	°F	80F D.B // 70F D.B
Outdoor Unit	MCA	A	14
	MOCP	A	15
	Fan Motor Full Load Amperage	A	0.93
	Fan Motor Output	W	77
	Airflow Rate	CFM	1,691 / 1,691
	Refrigerant Control	LEV	
	Defrost Method	Reverse cycle	
	Heat Exchanger Type	Plate fin coil	
	Blue Fin Coating on Heat Exchanger	Yes	
	Sound Pressure Level, Cooling ¹	dB(A)	57
	Sound Pressure Level, Heating ²	dB(A)	55
	Compressor Type	DC INVERTER-driven Twin Rotary	
	Compressor Model	SNB130FQBMT	
	Compressor Rated Load Amps	A	10.0
	Compressor Locked Rotor Amps	A	12.5
	Compressor Oil Type // Charge	oz.	FV50S // 11.8
	External Finish Color	Ivory Munsell 3Y 7.8/1.1	
	Base Pan Heater	Optional	
	Unit Dimensions	W: In. (mm)	33-1/16 (840)
		D: In. (mm)	13 (330)
H: In. (mm)		34-5/8 (880)	
Package Dimensions	W: In. (mm)	38-9/16 (980)	
	D: In. (mm)	16-9/16 (420)	

SPECIFICATIONS: MSZ-WR24NA & MUZ-WR24NA

		H: In. (mm)	39 (990)
	Unit Weight	Lbs. (kg)	121 (55)
	Package Weight	Lbs. (kg)	141 (64)
Outdoor Unit Operating Temperature Range	Cooling Air Temp (Maximum / Minimum)*	°F	115 / 32
	Cooling Thermal Lock-out / Re-start Temperatures**	°F	-1 / 3
	Heating Air Temp (Maximum / Minimum)	°F	75 / 5
	Heating Thermal Lock-out / Re-start Temperatures**	°F	-9 / -4
Refrigerant	Type		R410A
	Charge	Lbs, oz	3, 9
Piping	Gas Pipe Size O.D. (Flared)	In.(mm)	5/8 (15.88)
	Liquid Pipe Size O.D. (Flared)	In.(mm)	3/8 (9.52)
	Maximum Piping Length	Ft. (m)	100 (30)
	Maximum Height Difference	Ft. (m)	50 (15)
	Maximum Number of Bends		10

Notes

AHRI Rated Conditions (Rated data is determined at a fixed compressor speed)	¹ Cooling (Indoor // Outdoor)	°F	80 DB, 67 WB // 95 DB, 75 WB
	² Heating at 47°F (Indoor // Outdoor)	°F	70 DB, 60 WB // 47 DB, 43 WB
	³ Heating at 17°F (Indoor // Outdoor)	°F	70 DB, 60 WB // 17 DB, 15 WB
Conditions	⁴ Heating at 5°F (Indoor // Outdoor)	°F	70 DB, 60 WB // 5 DB, 4 WB

*Applications should be restricted to comfort cooling only; equipment cooling applications are not recommended for low ambient temperature conditions.
 **System cuts out in heating mode to avoid thermistor error and automatically restarts at these temperatures.

ACCESSORIES: MSZ-WR24NA

Anti-allergy Enzyme Filter	<input type="checkbox"/> MAC-408FT-E
Remote Controller Holder	<input type="checkbox"/> U01A01083
kumo touch™ RedLINK™ Wireless Controller	<input type="checkbox"/> MHK2
Deluxe MA Remote Controller ¹	<input type="checkbox"/> PAR-40MAAU
Simple MA Controller ¹	<input type="checkbox"/> PAC-YT53CRAU-J
Touch MA Controller ¹	<input type="checkbox"/> PAR-CT01MAU-SB
Wired Remote Sensor	<input type="checkbox"/> M21-EAA-307
Wireless Temperature and Humidity Sensor	<input type="checkbox"/> PAC-USWHS003-TH-1
System Control Interface ²	<input type="checkbox"/> MAC-334IF-E
Wireless Interface 2	<input type="checkbox"/> PAC-USWHS002-WF-2
Thermostat Interface	<input type="checkbox"/> PAC-US444CN-1
kumo station®	<input type="checkbox"/> PAC-WHS01HC-E
USNAP Interface	<input type="checkbox"/> PAC-WHS01UP-E
IT Extender	<input type="checkbox"/> PAC-WHS01IE-E
BACnet® and MODBUS® Interface	<input type="checkbox"/> PAC-UKPRC001-CN-1
Lockdown Bracket for Hand-held Remote Controllers	<input type="checkbox"/> RCMKP1CB
Blue Diamond Sensor Extension Cable — 15 Ft.	<input type="checkbox"/> C13-103
Blue Diamond Alarm Extension Cable — 6.5 Ft.	<input type="checkbox"/> C13-192
Blue Diamond MultiTank — collection tank for use with multiple pumps	<input type="checkbox"/> C21-014
Blue Diamond Rubber Foot Pads	<input type="checkbox"/> F10-010
Mini Condensate Pump — 230 volt application	<input type="checkbox"/> SI30-230
MegaBlue Advanced Blue Diamond Condensate Pump w/ Reservoir & Sensor	<input type="checkbox"/> X87-835 - 110 to 250V
MaxiBlue Advanced Blue Diamond Mini Condensate Pump w/ Reservoir & Sensor (110V) up to 48,000 BTU/H [recommended]	<input type="checkbox"/> X87-711 - 110V
Advanced Blue Diamond Mini Condensate Pump w/ Reservoir & Sensor (208/230V) [recommended]	<input type="checkbox"/> X87-721 - 208/230V
MicroBlue Blue Diamond Mini Condensate Pump (110/208/230V) up to 18,000 BTU/H	<input type="checkbox"/> X85-003
Fascia Kit for MicroBlue Pump – mounts the MicroBlue and sensor directly beneath the indoor unit	<input type="checkbox"/> T18-016
Drain Pan Level Sensor	<input type="checkbox"/> SS610E
(30A/600V/UL) [fits 2" X 4" utility box] - Black	<input type="checkbox"/> TAZ-MS303
(30A/600V/UL) [fits 2" X 4" utility box] - White	<input type="checkbox"/> TAZ-MS303W

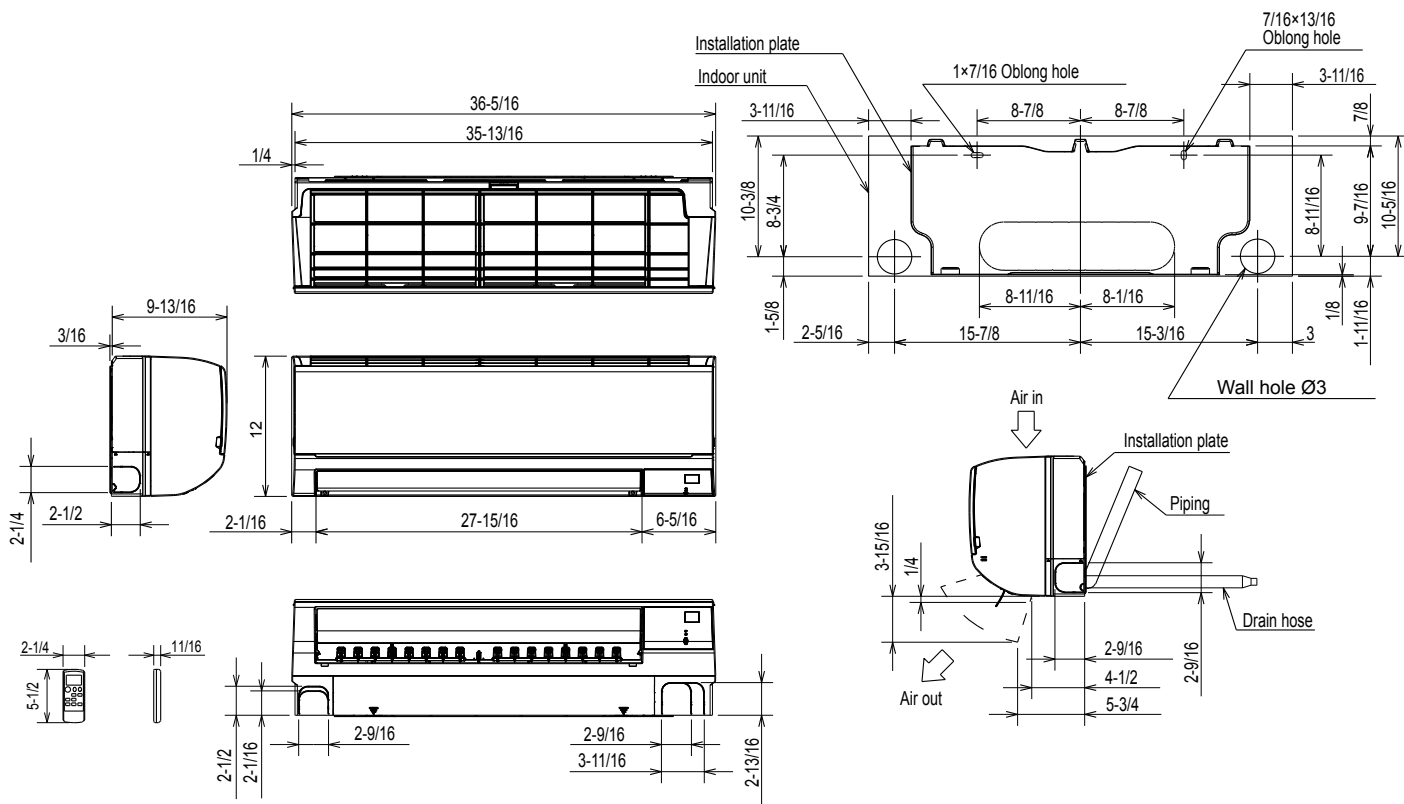
¹ Requires MAC-334IF-E

² Allows indoor units to connect to an MA Controller

ACCESSORIES: MUZ-WR24NA

Air Outlet Guide	□ MAC-886SG-E
Drain Socket	□ MAC-860DS
Optional Defrost Heater	□ MAC-642BH-U1
Hail Guard	□ HG-A7
Outdoor Unit 3-1/4 inch Mounting Base (Pair) - Plastic	□ DSD-400P
Condensing Unit Mounting Pad 16" x 36" x 3"	□ ULTRILITE1
Outdoor Unit Stand — 12" High	□ QSMS1201M
Outdoor Unit Stand — 18" High	□ QSMS1801M
Outdoor Unit Stand — 24" High	□ QSMS2401M
Heavy Duty Wall Mounting Bracket— Coated Steel	□ QSWB2000M-1
Heavy Duty Wall Mounting Bracket — 316 Series Stainless Steel	□ QSWBSS
10' x 3/8" x 10' x 5/8" Lineset (Twin-Tube Insulation)	□ MPLS385812T-10
15' x 3/8" x 15' x 5/8" Lineset (Twin-Tube Insulation)	□ MPLS385812T-15
30' x 3/8" x 30' x 5/8" Lineset (Twin-Tube Insulation)	□ MPLS385812T-30
50' x 3/8" x 50' x 5/8" Lineset (Twin-Tube Insulation)	□ MPLS385812T-50
65' x 3/8" x 65' x 5/8" Lineset (Twin-Tube Insulation)	□ MPLS385812T-65
100' x 3/8" x 100' x 5/8" Lineset (Twin-Tube Insulation)	□ MPLS385812T-100

DIMENSIONS: MSZ-WR24NA



18 KBTU/H

Piping	Insulation	Ø2 O.D
	Liquid line	Ø5/16 15-3/8 (Flared connection Ø1/4)
	Gas line	Ø15/32 13-3/8 (Flared connection Ø1/2)
Drain hose	Insulation Ø1-1/8 Connected part Ø5/8 O.D	

24 KBTU/H

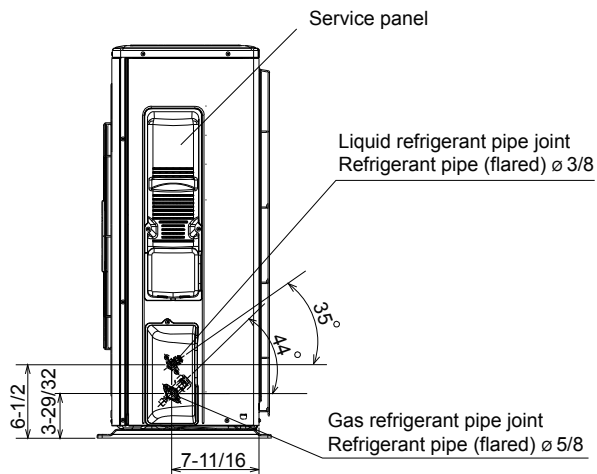
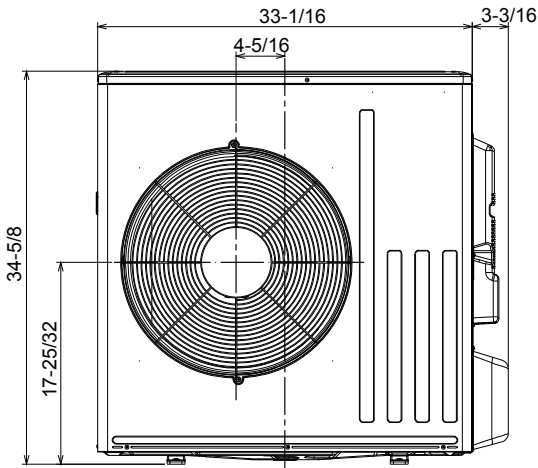
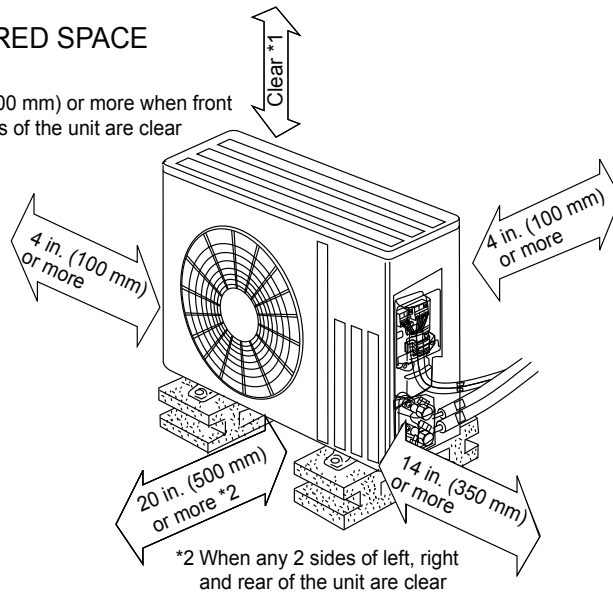
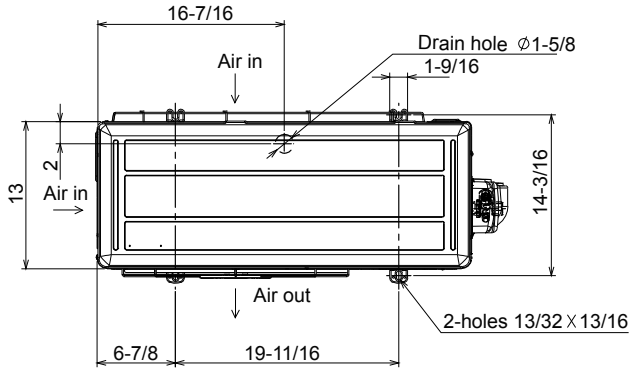
Piping	Insulation	Ø2 O.D
	Liquid line	Ø5/16 15-3/8 (Flared connection Ø3/8)
	Gas line	Ø15/32 13-3/8 (Flared connection Ø5/8)
Drain hose	Insulation Ø1-1/8 Connected part Ø5/8 O.D	

DIMENSIONS: MUZ-WR24NA

Unit: inch

REQUIRED SPACE

*1 20 in. (500 mm) or more when front and sides of the unit are clear



1340 Satellite Boulevard, Suwanee, GA 30024
Toll Free: 800-433-4822 www.mehvac.com

FORM# MSZ-WR24NA / MUZ-WR24NA - 202003



Specifications are subject to change without notice.

© 2020 Mitsubishi Electric Trane HVAC US LLC. All rights reserved.