

SUBMITTAL DATA: MXZ-2C20NA2-U1
MULTI-INDOOR INVERTER HEAT-PUMP SYSTEM

Job Name:	Location:	Date:
Purchaser:	Engineer:	
Submitted to:	For	Reference Approval Construction
System Designation:	Schedule No.:	

GENERAL FEATURES

- Quiet operation
- Optional base pan heater to prevent ice in drain pan

ACCESSORIES

- 3/8" x 1/2" Port Adapter (MAC-A454JP-E)
- M-NET Adapter (PAC-IF01MNT-E)
- Base Heater (PAC-646BH-E)
- Windscreens (*1)



Outdoor Unit: MXZ-2C20NA2-U1

Note: Mitsubishi Electric (MESCA) supports the use of only MESCA supplied and approved Snow Guard / Wind Deflectors / Windscreens and accessories for proper functioning of the unit(s). Use of non-MESCA supported Snow Guard / Wind Deflectors / Windscreens and accessories will affect warranty coverage.

Specifications			Model Name
Unit Type			MXZ-2C20NA2-U1
Cooling* Non-ducted / Ducted (*2)	Rated Capacity	Btu/h	18,000 / 20,000
	Rated Total Input	W	1,417 / 2,000
Heating at 47°F* (8.3°C*) Non-ducted / Ducted (*2)	Rated Capacity	Btu/h	22,000 / 22,000
	Rated Total Input	W	1,641 / 1,771
Heating at 17°F* (-8.3°C*) Non-ducted / Ducted (*2)	Rated Capacity	Btu/h	12,500 / 13,500
	Rated Total Input	W	1,300 / 1,350
Heating at 5°F* (-15°C*) (*2)	Capacity	Btu/h	NA
Electrical Requirements	Power Supply	Voltage, Phase, Hertz	208 / 230V, 1-Phase, 60 Hz
	Recommended Fuse/Breaker Size	A	20
	MCA *	A	17.2
Voltage	Indoor - Outdoor S1-S2	V	AC 208 / 230
	Indoor - Outdoor S2-S3	V	+12VDC to 24VDC
Compressor			INVERTER-driven Scroll Hermetic
Fan Motor (ECM)		F.L.A.	1.77
Sound Pressure Level (Non-ducted/Ducted)	Cooling	dB(A)	50 / 54
	Heating		50 / 54
External Dimensions (H x W x D)		In (mm)	27-15/16 x 33-1/16 x 13 (845 x 840 x 330)
Net Weight		Lbs (kg)	126 (57)
External Finish			Munsell 3.0Y 7.8/1.1
Refrigerant Pipe Size O.D. — Two Ports	Liquid	In (mm)	1/4 (6.35)
	Gas		3/8 (9.52)
Max. Refrigerant Line Length (A+B)		Ft (m)	164 (50)
Max. Piping Length for Each Indoor Unit		Ft (m)	82 (25)
Max. Refrigerant Pipe Height Difference	If IDU is Above ODU	Ft (m)	49 (15)
	If IDU is Below ODU		33 (10)
Connection Method	Indoor / Outdoor		Flared/Flared
Refrigerant			R410A

Should this document be altered or changed without MESCA's permission, it becomes null and void. MESCA assumes no responsibility for any consequences in such cases.

*** Rating Conditions per AHRI Standard:**

Cooling | Indoor: 80° F (27° C) DB / 67° F (19° C) WB

Cooling | Outdoor: 95° F (35° C) DB / 23.9° C (75° F) WB

Heating at 47° F | Indoor: 70° F (21° C) DB / 60° F (16° C) WB

Heating at 47° F | Outdoor: 47° F (8° C) DB / 43° F (6° C) WB

Heating at 17° F | Indoor: 70° F (21° C) DB

Heating at 17° F | Outdoor: 17° F (-8° C) DB / 15° F (-9° C) WB

*1 Required in windy locations or areas that experience low temperatures.

*2 Non-ducted (06+09+09) / Ducted (09+09+09) combinations.

Specifications are subject to change without notice.

SPECIFICATIONS: MXZ-2C20NA2-U1, contd.

Operating Range:

	Outdoor
Cooling	14 to 115° F (-10 to 46° C) DB
Heating	5 to 65° F (-15 to 18° C) WB

Energy Efficiencies:

Indoor Unit Type	SEER	EER	HSPF (IV)	COP @ 47°F
Non-ducted (*2)	20.0	12.7	10.0	3.93
Ducted (*2)	16.0	10.0	9.3	3.64

Multi-zone Indoor/Outdoor Combination Table

- MXZ Compatibility Chart – available on MESCA Tech Info Centre M-Series submittal page

* Refer to indoor unit submittal.

NOTES:

- Minimum of two Indoor Units must be connected to the MXZ-2C20NA2.
- Minimum installed capacity cannot be less than 12,000 Btu/h.
- System can operate with one Indoor Unit or both indoor units on.
- May connect to any style indoor unit or combination.
- Information provided at 208/230V.

Refer to the MXZ-C Technical & Service Manual for detailed specifications and additional information per Indoor Unit Combination.

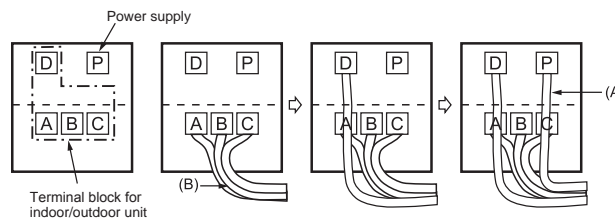
MVZ CONNECTION RULES:

- Only 1 MVZ may be used on any system, two indoor units must be connected.
- When an MVZ is connected, total connected capacity must be less than 100%.
- When an MVZ is connected, no P-Series indoor units can be used (PCA, PLA, or PEAD).

Should this document be altered or changed without MESCA's permission, it becomes null and void. MESCA assumes no responsibility for any consequences in such cases.

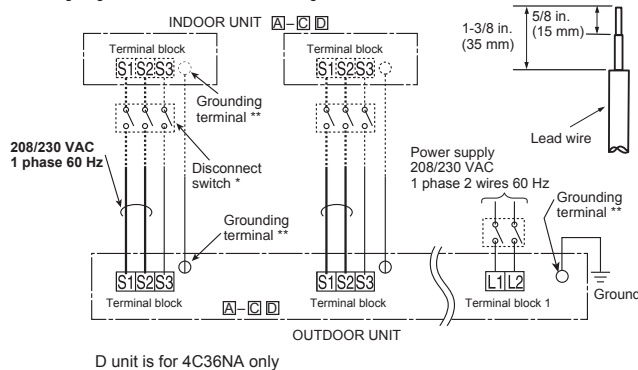
Indoor - Outdoor Power Connection:

- Connecting order
- Connect the terminal block in following order.
A → B → C → D → P
 - D unit is for 4C36NA only



Remark:

- * A disconnect switch should be required. Check the local code.
- ** Use a ring tongue terminal in order to connect a ground wire to terminal.



- Connect wires to the matching numbers of terminals.
- Be sure to attach each screw to its correspondent terminal when securing the cord and/or the wire to the terminal block.

CONNECTING WIRES AND CONNECTING GROUND WIRE

- Use solid conductor Min. AWG14 or stranded conductor Min. AWG14.
- Use double insulated copper wire with 600 V insulation.
- Use copper conductors only.
- Follow local electrical code.

POWER SUPPLY CABLE AND GROUND WIRE

- Use solid or stranded conductor Min. AWG12.
- Use copper conductors only.
- Follow local electrical code.

⚠ WARNING:
Use the indoor/outdoor unit connecting wire that meets the Standards to connect the indoor and outdoor units and fix the wire to the terminal block securely so that no external force is conveyed to the connecting section of the terminal block. An incomplete connection or fixing of the wire could result in a fire.

For future servicing, give extra length to the connecting wires.

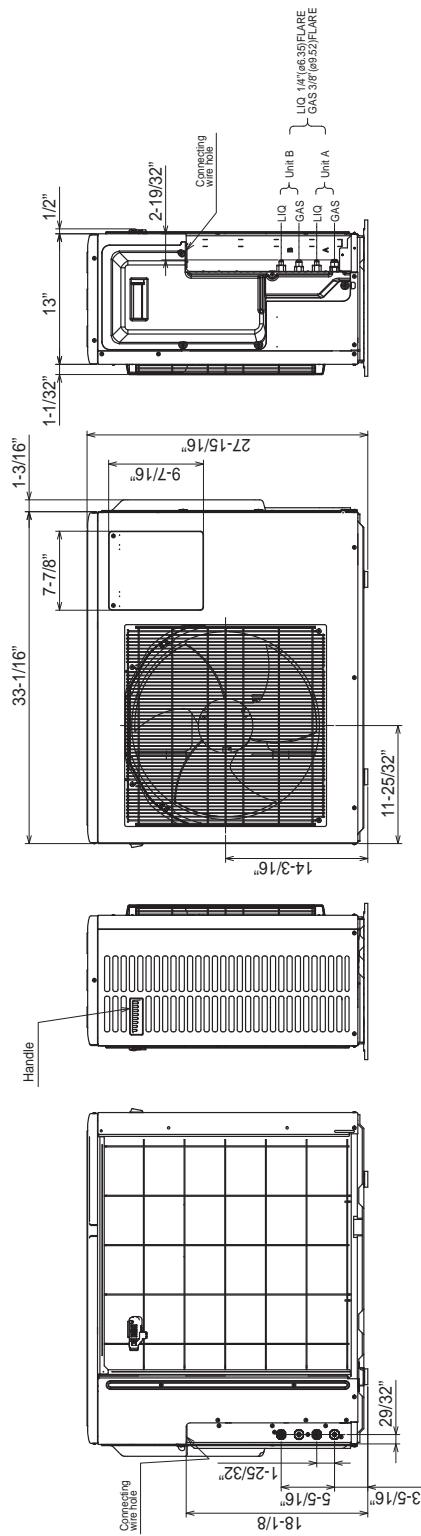
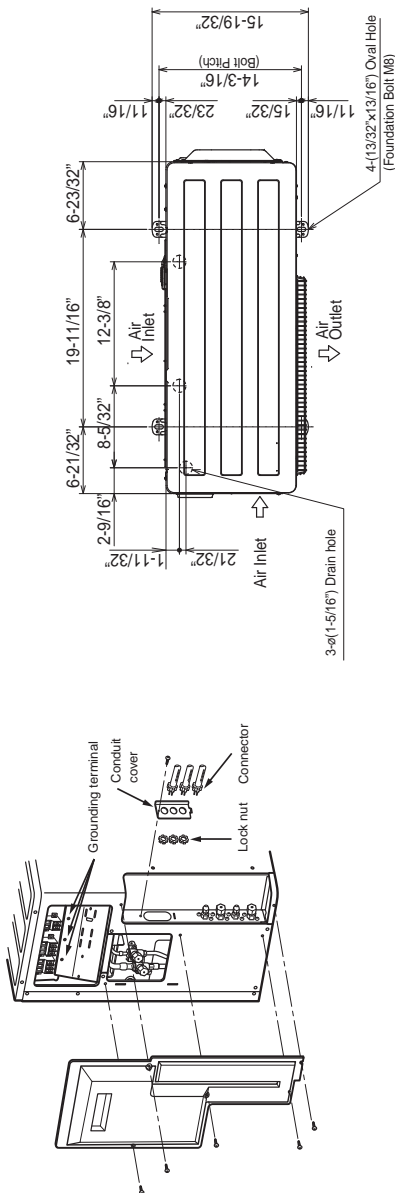
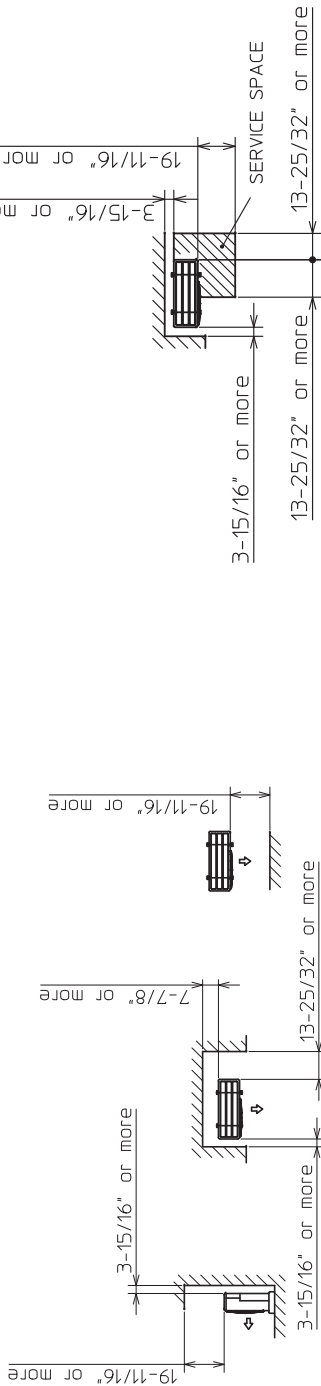
Notes:

DIMENSIONS: MXZ-2C20NA2-U1

Unit: inch

2. SERVICE SPACE

1. FREE SPACE



Should this document be altered or changed without MESCA's permission, it becomes null and void. MESCA assumes no responsibility for any consequences in such cases.



for a greener tomorrow

