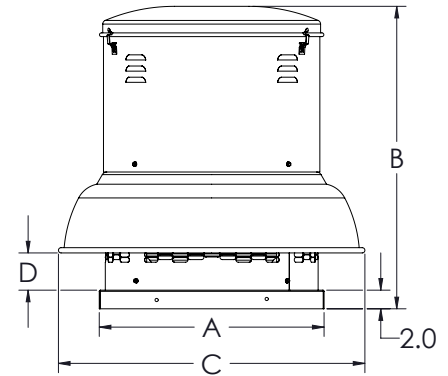




# MODEL SDB BELT DRIVE CENTRIFUGAL DOWNBLAST ROOF EXHAUSTER

## STANDARD FEATURES

- Attractive spun aluminum exterior
- Belt drives permit easy performance adjustments when needed
- Curved non-overloading backward inclined wheel for efficiency at higher static pressures
- AMCA Air and Sound Licensed
- cULus 705 Listed



NOTE: All dimensions shown are in inches.

Size	A	B	C	D	Roof Opening	Curb O.D.	Damper (O.D.)	Approximate Weight (lbs)*
6	18	30 1/8	25	3 3/8	13 1/2	16 1/2	12	62
7	18	30 1/8	25	3 3/8	13 1/2	16 1/2	12	62
8	18	30 1/8	25	3 3/8	13 1/2	16 1/2	12	65
10	18	30 1/8	25	3 3/8	13 1/2	16 1/2	12	66
12	20	31 11/16	27 5/8	3 7/8	15 1/2	18 1/2	14	73
14	20	31 11/16	27 5/8	3 7/8	15 1/2	18 1/2	14	80
15	24	32 1/2	32 7/8	4	19 1/2	22 1/2	18	90
16	24	32 1/2	32 7/8	4	19 1/2	22 1/2	18	90
18	30	36 3/8	39 3/16	4 5/8	25 1/2	28 1/2	24	134
20	30	38 5/16	45	6 1/8	25 1/2	28 1/2	24	142
22	30	38 5/16	45	6 1/8	25 1/2	28 1/2	24	142
24	36	46 5/8	49 3/8	6	31 1/2	34 1/2	30	187
27	36	49 1/16	49 3/8	8 1/2	31 1/2	34 1/2	30	195
30	42	50 1/4	56	7 3/8	37 1/2	40 1/2	36	277
33	42	50 1/4	56	7 3/8	37 1/2	40 1/2	36	279
36	42 5/16	48 7/8	64 1/4	7	37 1/2	40 1/2	36	330
42	54 1/4	54 7/8	71 3/16	11 1/2	49 1/2	52 1/2	48	477
48	54 1/4	58 1/8	78 3/16	12 7/8	49 1/2	52 1/2	48	522

\*Approximate unit weight includes the largest cataloged open drip proof motor, drives (if applicable), less crating.

FAN SPECIFICATIONS									MOTOR SPECIFICATIONS				
Line	Qty.	Model No.	Tag	CFM	SP	Fan RPM	BHP	Sones	HP	Volts	Phase	Hertz	Encl
1													
2													
3													
4													
5													

ACCESSORY ITEMS	1	2	3	4	5	ACCESSORY ITEMS	1	2	3	4	5
<input type="checkbox"/>						<input type="checkbox"/>					
<input type="checkbox"/>						<input type="checkbox"/>					
<input type="checkbox"/>						<input type="checkbox"/>					
<input type="checkbox"/>						<input type="checkbox"/>					
<input type="checkbox"/>						<input type="checkbox"/>					

Subject to change unless approved in submittal by S&P  
SDB-Submittal\_v.5-0119