

# Turbo Tube

INLINE MIXED FLOW FANS

Fresh air in your house!



**Standard  
Speed Switch  
Get two fans  
in One!**

## POWERFUL MIXED FLOW FANS

SOLUTION FOR RESIDENTIAL  
AND COMMERCIAL VENTILATION

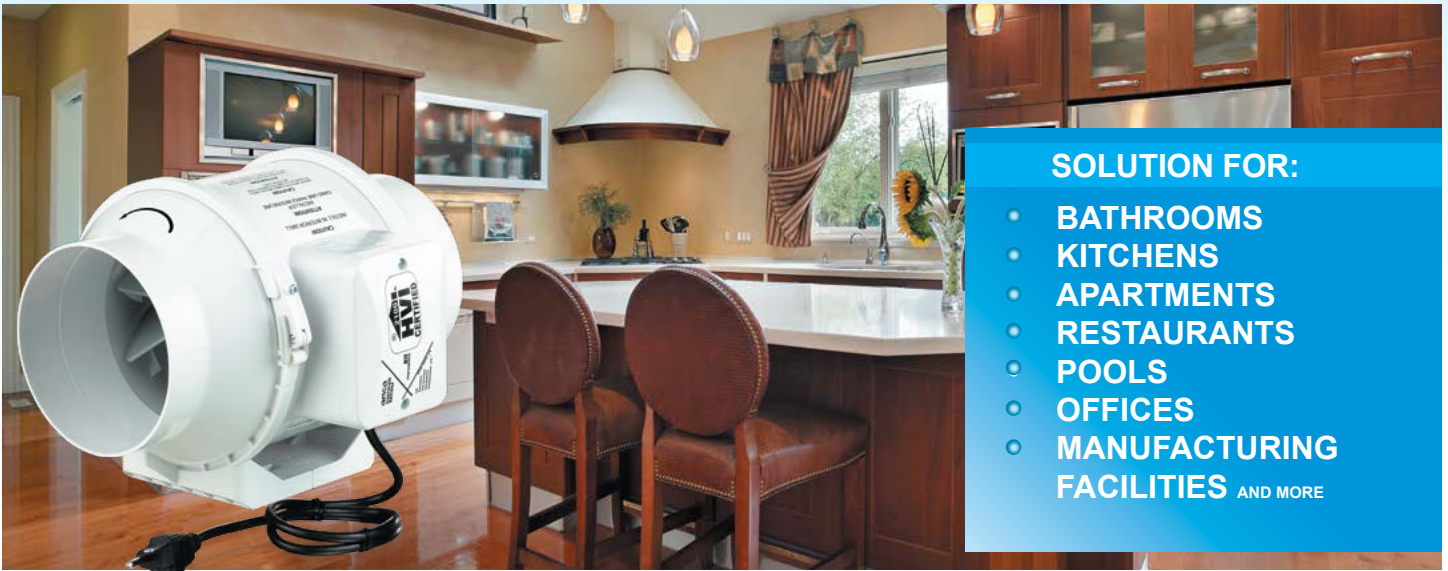


Tel: 888-640-0925  
513-348-3853  
Fax: 513-268-4597  
Sales@ventsus.com  
VentsUS.com  
11013 Kenwood Road, Cincinnati, Ohio 45242





## TT SERIES INLINE MIXED FLOW FANS



### SOLUTION FOR:

- BATHROOMS
- KITCHENS
- APARTMENTS
- RESTAURANTS
- POOLS
- OFFICES
- MANUFACTURING FACILITIES AND MORE

TURBO TUBE series fans are ideal solutions for multi-purpose use in residential and commercial ventilation. **TURBO TUBE** fans combine the features and benefits of both axial and centrifugal fans. Used for both supply and exhaust applications that require powerful airflow.

**TURBO TUBE** fans were engineered to be compact without any loss in performance and are the perfect solution for installation into limited spaces.

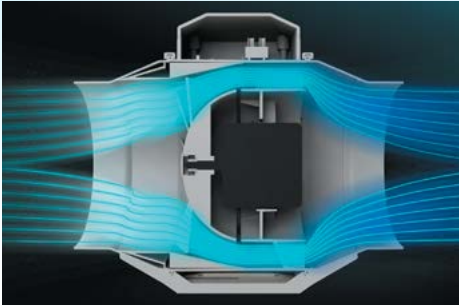
## ENERGY EFFICIENT TURBO TUBE FANS

### BENEFITS

- QUIET OPERATION: **1.1 – 4.5 Sones**
- HIGH PERFORMANCE: **up to 1050 CFM**
- ENERGY EFFICIENT: **29.5 – 353 W**
- DUCT COMPATIBILITY: **Ø 4", 5", 6", 8", 10", 12 3/8"**
- DOUBLE-SPEED CAPACITOR MOTOR WITH THERMAL OVERLOAD PROTECTION
- BUILT-IN 2-SPEED SWITCH & POWER CORD INCLUDED
- LONG-LIFE BALL BEARING (up to 40 000 hours)
- ROTARY AND REMOVABLE CENTRAL BODY FOR EASY INSTALLATION & MAINTENANCE
- COMPACT SIZE FOR LIMITED SPACES
- LIGHTWEIGHT, DURABLE AND UV RESISTANT PLASTIC CASE (FLAME RATING – 5VA)
- VIBRATION FREE OPERATION
- CORROSION FREE

## INNOVATIVE DESIGN

### AERODYNAMIC CASE



The motor and improved case shape provide high aerodynamic characteristics.

### NEWLY DESIGNED IMPELLER



A specifically designed impeller provides smooth movement and powerful airflow.

### EASY TO INSTALL & CLEAN



The Removable Body, including motor, impeller and junction box, is the Ultimate Solution for Easy Installation & cleaning.

### EASY CONNECTION



The **Removable Body** with the junction box can be **rotated 180° to Facilitate Mounting and Wiring**.

### BUILT-IN SPEED CONTROL



The **Double-speed Motor** is controlled with a **Built-in Speed Switch**.

### INTEGRATED MOUNTING BRACKET



The fan case is **Equipped with a Mounting Plate** to attach the fan to the wall or ceiling.

## EASY INSTALLATION



Fix the fan mounting plate on the flat surface.



Install the removable body inside the fan case.



Lock the removable body by clamps with latches.



Secure latches by screws.



Attach the ducts with clamps.



Insert the plug into electrical socket - the fan is **READY to GO!**



Select a required speed by the built-in speed switch. **ENJOY the FRESH AIR.**

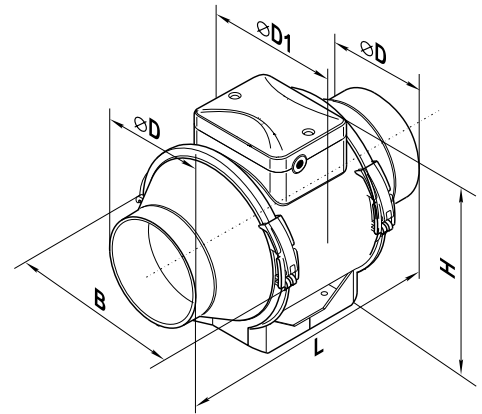


Forget about dismantling or disassembling! Just remove the central body from the case and complete the servicing!

# Turbo Tube product sheet

## Dimensions

Model	Measurements [in.]					lbs
	ØD	ØD1	B	H	L	
TT 100	3 3/4"	5 1/2"	6 9/16"	7 1/2"	9 11/16"	3.1
TT 125	4 13/16"	5 1/2"	6 9/16"	7 1/2"	9 11/16"	3.1
TT 150	5 3/4"	7 11/16"	8 3/4"	9 13/16"	11 5/8"	6.6
TT 200	7 13/16"	8 1/4"	9 7/16"	10 1/4"	11 5/8"	14.1
TT 250	9 3/4"	10 1/8"	11 5/16"	12 11/16"	15 1/16"	18.3
TT 315	12 3/8"	12 11/16"	14 1/4"	16 1/16"	22 15/16"	25.1



## Performance

Model	Speed	RPM*	Sones	Duct dia	Watts*	Amps*	CFM vs. Static Pressure (Ps) in WG								Max Ps	Volts	
							0"	0.125"	0.2"	0.25"	0.5"	0.75"	1.0"	1.25"			1.5"
TT 100	high	3113	2.5	4"	36	0.45	105	49	37	32	13	-	-	-	-	0.70	120
	low	2818	1.1		29.5	0.37	62	41	30	23	2	-	-	-	-	0.54	120
TT 125	high	2600	2.5	5"	41	0.51	126	112	99	46	-	-	-	-	0.49	120	
	low	2350	1.4		31	0.40	87	64	27	4	-	-	-	-	0.27	120	
TT 150	high	2033	3.5	6"	55	0.47	252	233	216	199	78	10	0	-	1.06	120	
	low	1386	1.5		29.2	0.25	167	129	75	61	21	-	-	-	0.62	120	
TT 200	high	2116	4.5	8"	111	0.93	473	450	432	420	352	254	89	-	1.17	120	
	low	1622	2.0		69.5	0.58	349	317	294	276	158	32	0	-	0.83	120	
TT 250	high	2525	4.5	10"	200	1.68	880	873	866	862	842	816	708	450	323	2.27	120
	low	1925	2.5		130	1.11	655	646	630	620	565	480	330	115	10	1.54	120
TT 315	high	2419	4.5	12 3/8"	353	2.95	1051	1020	999	986	914	838	746	632	500	2.67	120
	low	1914	2.5		236	1.95	830	797	770	751	638	496	335	209	109	1.79	120

\* The parameters RPM, Watts, Amps are indicated at 0.2 in WG static pressure.

## Specifications

Voltage: 120 V, 60 Hz

Motor: Single-phase asynchronous motor

Duct compatibility: Ø4", 5", 6", 8", 10", 12 3/8"

Airflow capacity: up to 1051 CFM

Sones: 1.1 – 4.5

Power consumption: 29.5 – 353 W

Suitable for working airstreams up to 140 °F

IPX4 protection

Thermal overload protection

Power cord included

Five year warranty

Built in low/high speed switch

### Contacts

Tel: 888-640-0925  
 513-348-3853  
 Fax: 513-268-4597  
 Sales@ventsus.com  
 VentsUS.com  
 11013 Kenwood Road, Cincinnati, Ohio 45242

VENTS-US reserves the rights to modify any of its products features, designs, components, and specifications at any time and without notice to maintain the development and quality of manufactured goods.



Flow Chart Graphs can be viewed at [VentsUS.com/cat/497](http://VentsUS.com/cat/497)