

## DESCRIPTION

The inline Mixed Flow fan – Turbo Tube Silent M series was developed following the latest worldwide ventilation trends. The main benefits are the Superb Low Noise and Excellent Aerodynamics.

Turbo Tube Silent M fans provide ultra quiet operation & excellent air flow even in high pressure systems. The specifically designed and optimized case and the new aerodynamic mixed flow impeller ensure the highest performance.

Turbo Tube Silent M fans are compatible with 4", 5", 6", 8", 10", 12 3/8" diameter ducts.

Five year warranty.

## CASING

The fan has metal noise absorbing case. It is equipped with a mounting plate to attach the fan to the wall or ceiling.

## MOTOR

Motors are supplied with automatic reset thermal protection and are equipped with ball bearings for longer service life (40,000 hrs).

Suitable for air stream temperature up to 140 °F.

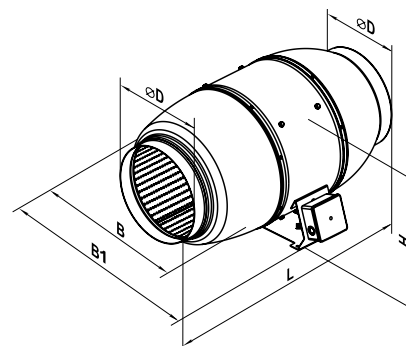
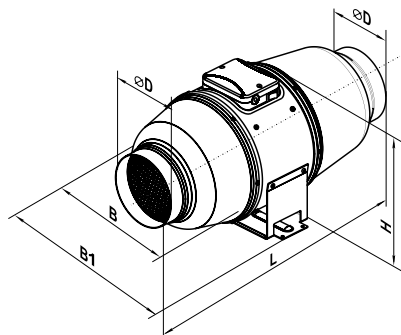
## SUITABLE FOR:

Kitchen / pools / stores / bars / restaurants / offices / public institutions / manufacturies etc

## DIMENSIONS

Model	Measurements [in.]				
	ØD	B	B1	H	L
TT Silent M 100	3 7/8"	8 7/16"	9 9/16"	9 5/16"	19 7/8"
TT Silent M 125	4 13/16"	8 7/16"	9 9/16"	9 5/16"	18 11/16"
TT Silent M 150	5 13/16"	9 3/4"	10 13/16"	10 1/4"	22 13/16"
TT Silent M 200	7 13/16"	11 9/16"	15 3/16"	11 5/8"	20 7/16"
TT Silent M 250	9 3/4"	14 1/8"	17 1/2"	14 3/16"	25 3/16"
TT Silent M 315	12 5/16"	17	20 1/2"	17 1/16"	31 7/8"

TT Silent M 100  
TT Silent M 125  
TT Silent M 150



TT Silent M 200  
TT Silent M 250  
TT Silent M 315

Tel: 888-640-0925  
513-348-3853  
Fax: 513-268-4597

Sales@ventsus.com  
VentsUS.com  
11013 Kenwood Road,  
Cincinnati, Ohio 45242





# TT SILENT M

## PRODUCT SPECIFICATIONS

## TECHNICAL DATA

## INLINE MIXED FLOW FANS

### PERFORMANCE

Model	Speed	RPM*	Sones	Duct Dia	Watts*	Amps*	CFM vs. Static Pressure (Ps) in WG											Volts/Hz
							0"	0.1"	0.2"	0.3"	0.4"	0.5"	0.6"	0.7"	0.8"	0.9"	1.0"	
TT Silent M 100	high	2363	1.2	4"	28	0.24	128	113	97	76	56	32	10	-	-	-	-	120/60
	low	2065	0.3		22	0.2	99	81	62	40	12	-	-	-	-	-	-	-
TT Silent M 125	high	2303	0.9	5"	35	0.3	188	174	158	130	94	60	30	0	-	-	-	120/60
	low	1990	0.4		23	0.22	116	90	68	38	0	-	-	-	-	-	-	-
TT Silent M 150	high	2570	2.0	6"	67	0.55	327	314	299	284	266	245	224	190	140	89	48	120/60
	low	1847	1.0		53	0.45	240	220	192	171	135	111	86	56	28	5	-	-
TT Silent M 200	high	2303	2.0	8"	111	0.93	473	455	432	405	379	352	313	274	221	155	89	120/60
	low	1990	0.7		70	0.58	349	323	294	249	203	158	108	57	26	13	0	0
TT Silent M 250	high	2570	4.0	10"	200	1.68	880	874	866	858	850	842	832	821	794	751	708	120/60
	low	1847	2.0		130	1.11	655	648	630	608	587	565	531	497	450	390	330	330
TT Silent M 315	high	2570	3.5	12 3/8"	353	2.95	1050	1026	999	971	942	914	884	853	823	794	764	120/60
	low	1847	2.0		236	1.95	830	804	770	726	682	638	581	524	464	399	335	335

MODEL	QUANTITY	COMMENTS	PROJECT
			location:
			architect:
			engineer:
			contractor:
			submitted by:

Tel: 888-640-0925      Sales@ventsus.com  
 513-348-3853          VentsUS.com  
 Fax: 513-268-4597      11013 Kenwood Road,  
 Cincinnati, Ohio 45242

