

AIR CONDITIONER OPTIONAL PARTS PANEL SPACER

PART No. 9378876040

INSTALLATION MANUAL

For authorized service personnel only.

UTG-BKXA-W

⚠ WARNING

When installing the Panel spacer, please read this manual thoroughly.

Before installation, be sure that all sources of power have been shut off. There is a danger of electric shock.

When installing the Panel spacer, please refer to the operating manual and installation manual supplied with the indoor unit.

⚠ CAUTION

The Panel spacer is used by assembling it together with a Cassette type air conditioner.
The Panel spacer cannot be used alone.

Handle Panel spacer carefully. Dropping it on the floor or subjecting it to strong shock will cause erroneous operation or accidents.

Hand this manual to the customer to keep for future use, such as for maintenance or relocation of the air conditioner.

Note: The illustrations in this manual may be different from the actual product.

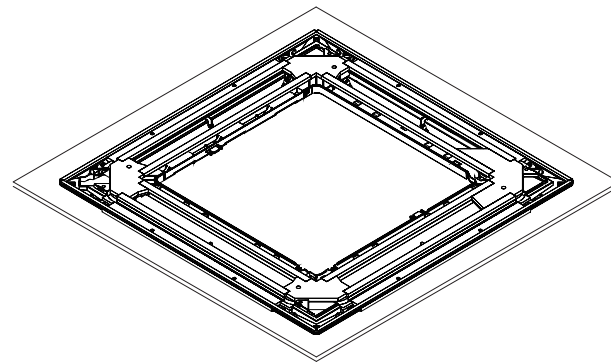
PARTS AND ACCESSORIES

The following installation parts are furnished. Check them before starting installation work.

Name and Shape	Q'ty	Name and Shape	Q'ty
Installation manual (This manual)	1	Screw (short)	8
Panel spacer	4	Panel spacer holder	8

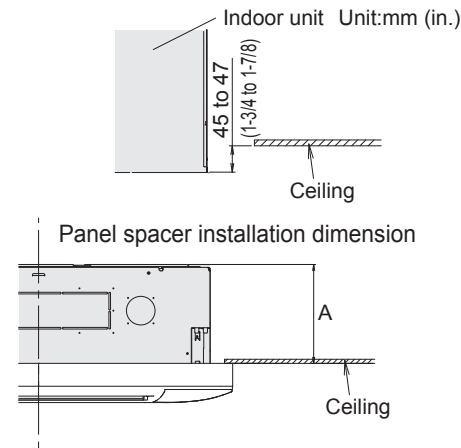
1 PREPARATION BEFORE INSTALLATION

- Be careful when handling the cassette grille.
- (1) Do not place the panel facing down, standing upright or on top of any protruding objects. (This may cause dents and scratches to the surface and damage the flap.)
- (2) Remove the intake grille on the cassette grille. (For details on how to remove, refer to the installation manual of the cassette grille.)
- (3) Place a piece of cardboard on the floor. Then place the cassette grille on its back onto the cardboard so as not to scratch the surface of the panel.



2 ADJUSTING POSITION OF INSTALLATION FOR INDOOR UNIT

Adjust the height of installation for the indoor unit as shown in the diagram below.

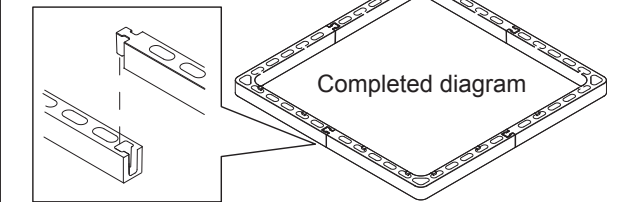


Type [Indoor unit height (mm (in.))]	A (mm(in.))
Slim type [246 (9-11/16)]	199 (7-13/16)
Standard type [288 (11-5/16)]	241 (9-1/2)

For more details, refer to the Indoor unit installation manual.

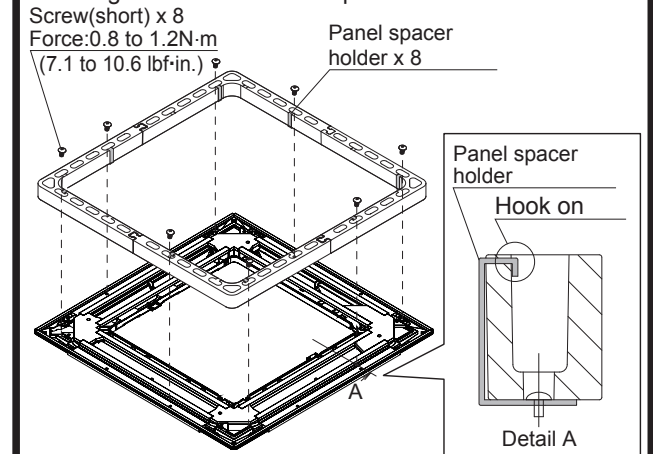
3 INSTALLING THE PANEL SPACER

(1) Assemble the Panel spacer



(2) Secure the Panel spacer to the Cassette grille

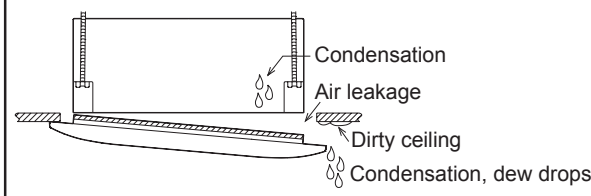
- Install 8 Panel spacer holders.
- Tighten the screws at 8 positions.



4 INSTALLING CASSETTE GRILLE AND PANEL SPACER TO INDOOR UNIT

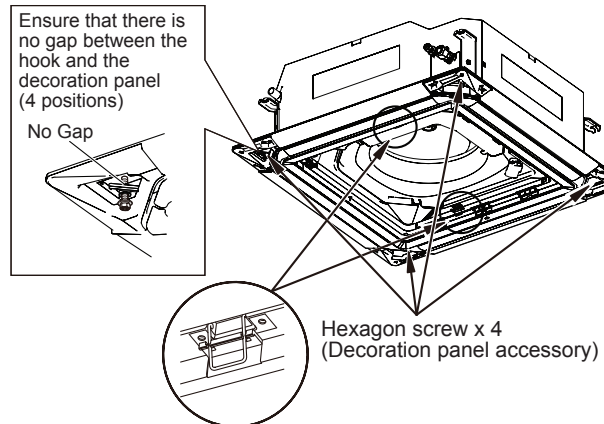
⚠ CAUTION

- ① Use only supplied screws to install the decoration panel.
- ② Install so that there is no gap between the decoration panel and the main indoor unit.
- ③ If there is a gap, an error will occur as shown in the diagram below.



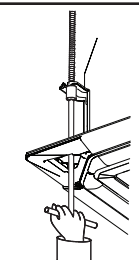
- ① For more details, refer to the Cassette grille installation manual.
- ② Align the stamped marks on the decoration panel against the pipe and the drain of the indoor unit.
- ③ Attach the decoration panel temporarily at 2 places with metal fittings.

• Tighten the 4 Hexagon screws.



When there is a gap between the ceiling and the decoration panel even when the screw is tightened, readjust the height of the main indoor unit.

As long as it does not affect the levelness of the main indoor unit and the drain piping, you may adjust the height of the main indoor unit from the hole at the corner of the decoration panel, with the decoration panel still attached to the main indoor unit.



Tighten the screw until the seal material between the decoration panel and the main indoor unit is compressed to a thickness of 5-7mm (0.197 - 0.276 in.).

