

OPTIONAL PART

## Wireless LAN adapter

# DESIGN & TECHNICAL MANUAL

---

WIRELESS LAN  
ADAPTER



UTY-TFNXZ1  
UTY-TFNXZ2  
UTY-TFNXZ3  
UTY-TFNXZ4

---

FUJITSU GENERAL LIMITED

**Notices:**

- Product specifications and design are subject to change without notice for future improvement.
- For further details, please check with our authorized dealer.

**Trademarks**

The following term and logo are trademarks of Fujitsu General Limited in the United States, other countries or both:

FGLair™



Android™ and Google Play™ are trademarks of Google Inc.

App Store® is a service mark of Apple Inc., registered in the U.S. and other countries.

IOS® is a trademark or registered trademark of Cisco in the U.S. and other countries and is used under license.

# CONTENTS

---

<b>WIRELESS LAN ADAPTER.....</b>	<b>1</b>
<b>1. Applicable indoor units .....</b>	<b>2</b>
<b>2. Model lineup .....</b>	<b>3</b>
<b>3. Overview .....</b>	<b>4</b>
3-1. Wireless LAN control .....	5
<b>4. Specifications .....</b>	<b>7</b>
4-1. Wireless LAN adapter .....	7
<b>5. Wiring design .....</b>	<b>8</b>
5-1. System diagram .....	8
<b>6. Installation .....</b>	<b>10</b>
6-1. Precautions .....	10
6-2. Installation procedure.....	11
<b>7. Initial setup .....</b>	<b>12</b>
7-1. Mobile app installation and user registration .....	12
7-2. Air conditioner registration .....	12
<b>8. Accessories .....</b>	<b>13</b>



# **WIRELESS LAN ADAPTER**

---

**MODEL NAME:**

**UTY-TFNXZ1**

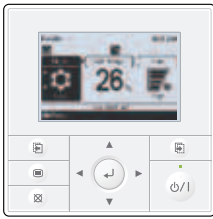
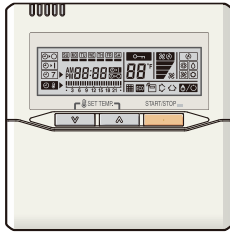

**UTY-TFNXZ2**

**UTY-TFNXZ3**

**UTY-TFNXZ4**

# 1. Applicable indoor units

This product is connectable to indoor units that following wired remote controllers can be connected.

Remote controller type	Wired remote controller		Simple remote controller
Exterior			
Model name (Accessory)	AR-WDC1E AR-WDD1E	AR-6TC** AR-WAE**	AR-WAF**
Model name (Option)	UTY-RVNYM UTY-RVNYN UTY-RVNUM UTY-RVNGM UTY-RVNXM	UTY-RNNYM UTY-RNNYN UTY-RNNUM UTY-RNNGM UTB-GUD UTY-RNNXM	UTY-RSNYM UTY-RSNYN UTY-RSNUM UTY-RSNGM UTY-RSNXM

\*\* : Alphanumeric characters are printed on the product.

For details on applicable indoor units, refer to the product catalogue posted on “Support & Downloads” page of the web site.

<http://www.fujitsu-general.com/global/support/>

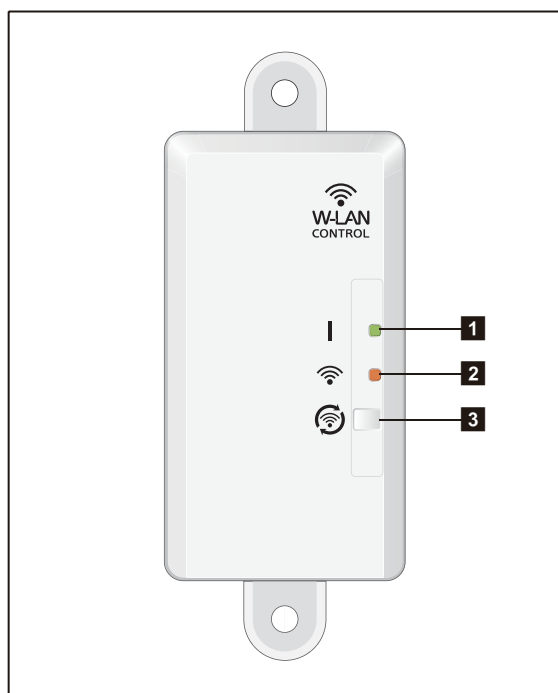
**NOTE:** Combined use of WLAN adapter and wired remote controller is prohibited.

## 2. Model lineup



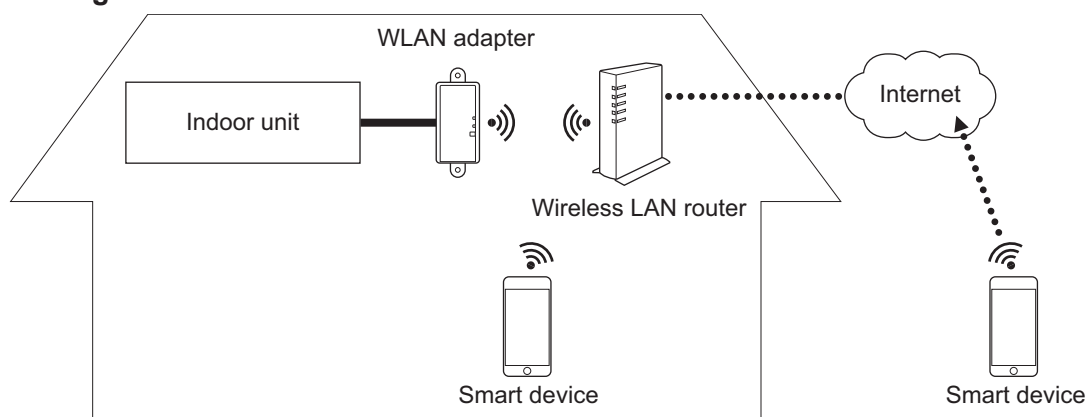
Model name	Region or country
UTY-TFNXZ1	Europe
UTY-TFNXZ2	North America, Middle East
UTY-TFNXZ3	Oceania, Thailand, Vietnam, India
UTY-TFNXZ4	China

### 3. Overview



- 1 LED 1 (green)**  
Operation status indicator.
- 2 LED 2 (orange)**  
Wireless LAN status indicator.
- 3 Setting button**  
Used for connecting to wireless router.

#### Schematic diagram:





## 3-1. Wireless LAN control

By installing FGLair on a smart device, several functions can be controlled from outside the house.

### **⚠ CAUTION**

To prevent personal injury, property damage, or product malfunction, read the setting manual attached with the product carefully, and be sure to comply with the safety and usage precautions.

### ■ Easy setup by mobile application

Initial setup can be done by using FGLair.

Refer to the setting manual attached with the product for information on the initial setup, operating tips, and troubleshooting.

### ■ System requirement

Before using this function, prepare the following items:

- **Wireless router:**

Wireless LAN standard	IEEE802.11b/g/n
Frequency bands*	<ul style="list-style-type: none"> <li>• U.S.A., Canada: 2.4 GHz (1ch—11ch)</li> <li>• Other countries: 2.4 GHz (1ch—13ch)</li> </ul>
Network security standard	<ul style="list-style-type: none"> <li>• Open</li> <li>• WEP</li> <li>• WPA (PSK)</li> <li>• WPA2 Personal (PSK)</li> <li>• WPS for same-LAN registration</li> </ul>

\*: Usable only in the country or region where you purchased the product.

To check whether your wireless router complies with the network security standards listed above, refer to the operation manual.

- **Smartphone or Tablet PC:**

App-compliant operating system	iOS®	Version 8.0 or later
	Android™	Version 4.1 or later

- ***FGLair*™ (mobile application):**

Mobile app is available on Google Play™ store or on App Store®.

After installation of mobile app, user registration is required. For user registration and setup information, refer to Setting Manual attached with the product.

For the latest version of the Wireless LAN (WLAN) control manuals, refer to the following web site.

<https://www.fujitsu-general.com/global/support/>

## ■ Wireless LAN function list

**NOTE:** To use Wireless LAN control, user registration in advance and access to the wireless home network are required.

Item		Mobile app	
Air conditioning control function	Operation on/off	○	
	Operation mode setting	○	
	Set temperature setting	○	
	Fan speed setting	○	
	Airflow direction setting <sup>*1</sup>	Louver position adjustment (vertical/horizontal)	○
		Swing (vertical/horizontal)	○
	Timer setting	Off timer	—
		On timer	—
		Sleep timer	—
		On/off program timer	—
	Weekly timer	○	
Additional function	ECONOMY operation setting	○	
App function	Air conditioner error e-mail notification	○	
Zone setting <sup>*2</sup>	Zone setting (on/off)	○	
	Room temperature sensor setting <sup>*3</sup>	○	
	Weekly timer with zone	○	
	Name setting (zone/sensor)	○	

○: Available, —: Not available

\*1: Different by the indoor unit function.

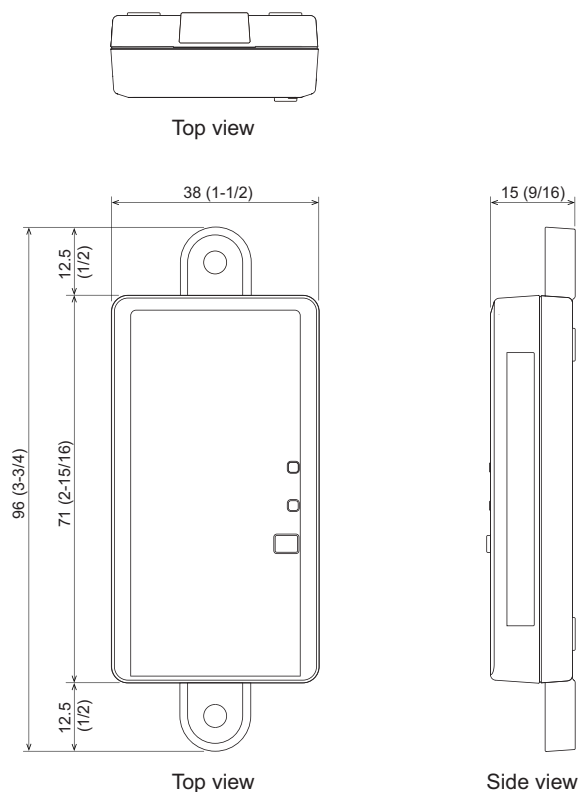
\*2: Available only for duct models and UTY-TFNXZ3 in Australia.

\*3: UTY-XSZX is necessary.

## 4. Specifications

### 4-1. Wireless LAN adapter

Unit: mm (in)

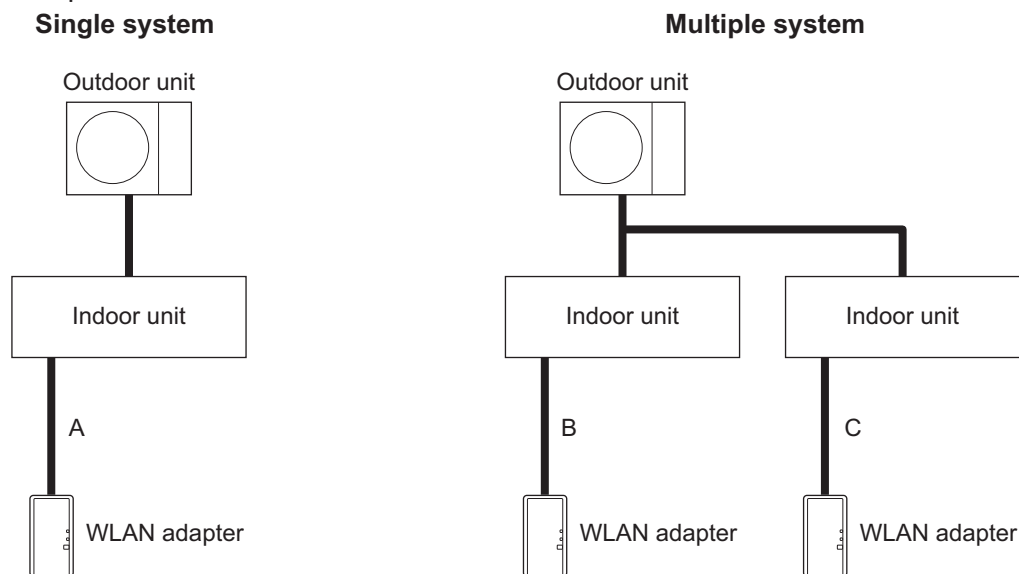


Maximum radio-frequency power		mW	32
Dimensions (H × W × D)	Net	mm	71 × 38 × 15
		in	2-15/16 × 1-1/2 × 9/16
	Gross	mm	50 × 207 × 138.5
		in	1-15/16 × 8-1/8 × 5-7/16
Weight	Net	g (oz)	35 (1) (without cable)
	Gross		380 (13)
Operating temperature range		°C (°F)	0 to 46 (32 to 114.8)

## 5. Wiring design

### 5-1. System diagram

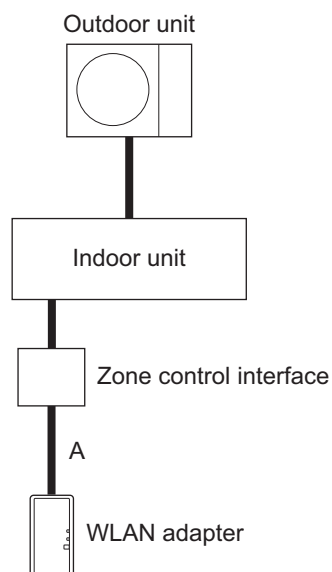
One WLAN adapter can be connected to each indoor unit.



A, B, and C: Attached cable with this product.

**NOTE:** Combined use with wired remote controller is prohibited.

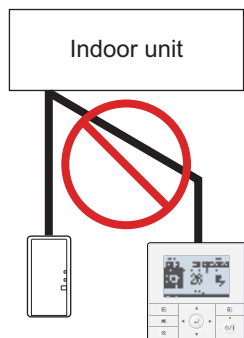
**When using this product with Zone control interface:**



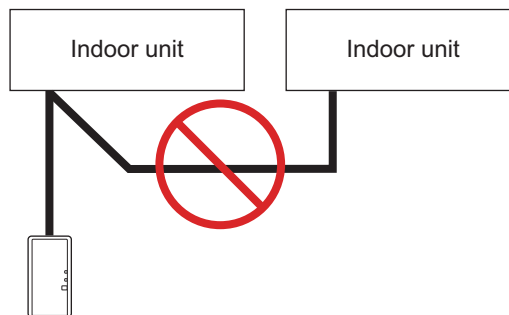
**NOTE:** For detailed wiring design of combined use with Zone control interface, refer to the Design and Technical Manual for Zone control interface.

**Prohibited uses:**

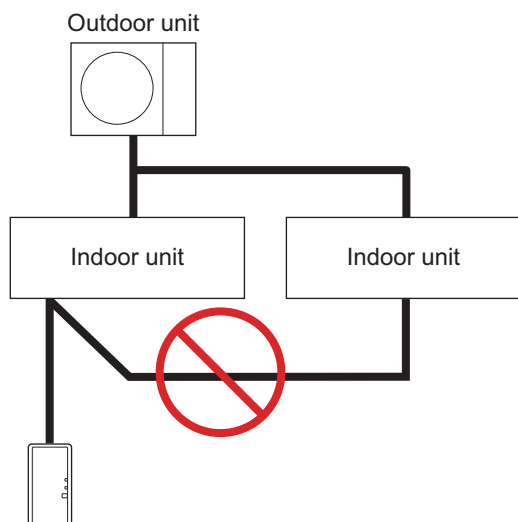
(1) Combined use with wired remote controller



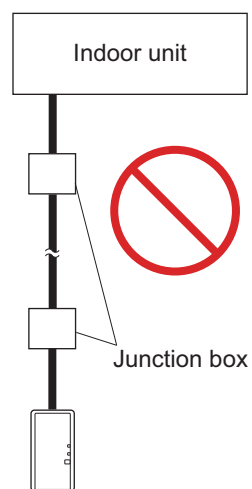
(2) Group connection of indoor units



(3) Use in simultaneous multi system



(4) Extended wiring  
Extending the cable is prohibited.



## 6. Installation

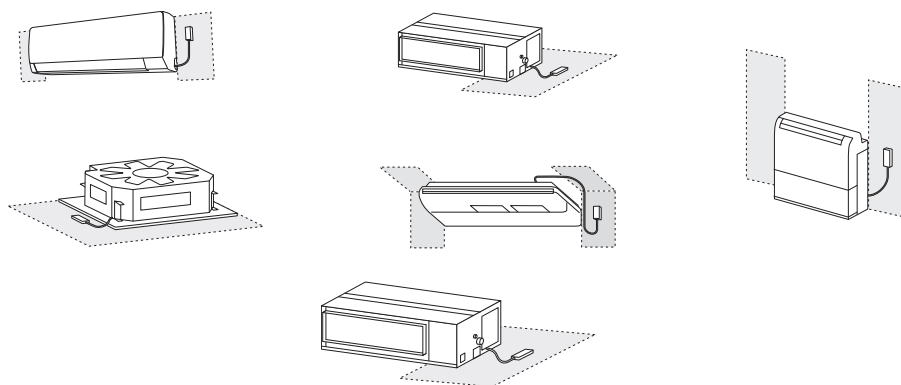
### ⚠ CAUTION

To prevent personal injury, property damage, or product malfunction, read the setting manual attached with the product carefully, and be sure to comply with the safety precautions.

### 6-1. Precautions

#### ⚠ CAUTION

- Do not bundle the WLAN adapter wiring with the connection cable running between the indoor and outdoor units, or the power supply cable.
- Install the WLAN adapter near the wireless router. (The connection will become unstable if it is placed further away, which will make using the system more difficult.)
- Install the WLAN adapter between the indoor unit and wireless router.
- Certain types of wall materials may shut out wireless communications.
- Do not touch the indoor unit heat exchanger.
- During installation or removal, do not to have the wire caught by any parts nor pull it hard. It may result in malfunction of the air conditioner.
- Do not install this product in following places. Otherwise, radio communication may be interfered.
  - Places exposed to direct sunlight
  - Places subject to extremely high and low temperatures, such as near the outlet port of the air conditioner main body
  - Near the air conditioner air inlet or outlet
  - Places with high humidity
  - Places near moving parts of the air conditioner main body
  - Places near bottom of the air conditioner main body
  - Inside or on the side of the air conditioner main body
  - Near microwave ovens
  - Within 1 m (40 in) of a TV or radio
  - Places in the reach of children
  - Near automatic control devices such as automatic door sensors or fire detectors
  - Places with oil, vapor or flammable gases
  - Near medical equipment, pacemakers, defibrillators or other devices
  - Places where the WLAN adapter could get wet, such as in the bathroom
  - Places where the WLAN adapter is difficult to access for maintenance
- Install this product in a place where the switches and buttons can be operated and where the LED display can be confirmed. (In the areas as shown below.)



## 6-2. Installation procedure

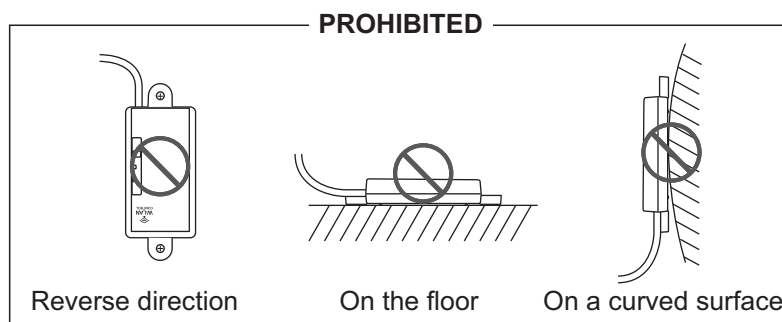
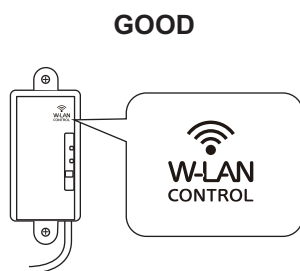
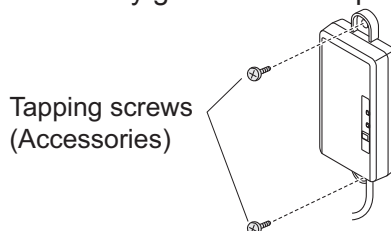
### ⚠ WARNING

- Disconnect the power supply or turn off the breaker before starting work. Failure to disconnect the power supply may lead to electric shock or fire.
- Do not turn on the power until all installation work is complete.
- Use the accessories or specified connection cables:
  - Do not modify connection cables other than those specified.
  - Do not use extension cords.
  - Do not use independent branch wiring. The allowable current will be exceeded and cause electric shock or fire.
- When installing this product, make sure that there are no children nearby. Otherwise, injury or electric shock could result.

### ⚠ CAUTION

- Discharge static electricity on your body before starting work. If static electricity is not discharged, there is a risk that the circuit board components may be damaged.
- When performing wiring work, be careful not to damage the cable or injure yourself. Also, connect the connectors securely. Loose connectors will cause trouble, heating, fire, or electric shock.
- Perform wiring so that water does not enter this unit along the external wiring. Always install a trap to the wiring or take other countermeasures. Otherwise, it will cause trouble or electric shock or fire.
- Do not touch the circuit board and circuit board parts directly with your hands. Otherwise, injury or electric shock could result.

1. With referring the setting manual, perform wire connection.
2. Install the WLAN adapter in the direction as shown in this figure. If the WLAN adapter is installed in the wrong direction, water may get into the adapter through the wire, causing failure.



After WLAN adapter installation is completed, perform appropriate function setting according to the installation environment with referring the setting manual of this product and the installation manual of the indoor unit.

---

## 7. Initial setup

By using FGLair, perform initial setup for WLAN control.

**NOTE:** Make sure that the smart device is connected to the same wireless router that the WLAN adapter is connected.

---

### 7-1. Mobile app installation and user registration

1. Visit Google Play store or App Store according to the type of connecting smart device.
2. Search for FGLair in the store.
3. Install the app by following the on-screen instructions.
4. After completing FGLair installation on your smart device, open the app and perform user registration by following the instructions.

---

### 7-2. Air conditioner registration




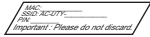
**Prerequisite:**

Make sure that the smart device is connected to the same wireless router that the WLAN adapter is connected.

1. Launch FGLair on your smart device.
2. Follow the instructions written in the setting manual attached with this product.



## 8. Accessories

Part name	Exterior	Q'ty	Part name	Exterior	Q'ty
Setting manual		1	Tapping screw M4 × 25 mm		2
Operating manual (CD-ROM)*		1	Wireless LAN label		1

\*: Available only for UTY-TFNXZ1.