






SUBMITTAL DATA SHEET

Multi Zone Heat Pump **ES-48Z-M5B**

Location: _____ Engineer: _____ Submitted to: _____ Submitted by: _____ Reference: _____	Approval: _____ Date: _____ Construction: _____ Unit #: _____ Drawing #: _____
--	--

Set Code	22022310003023	
Indoor unit code	22022011016181+22022011016261	
Outdoor unit code	22022316001646	
Set Model		
Indoor unit model	ES-48Z-M5B	
Outdoor unit model		
Certified	AHRI	
	UL	
		



SYSTEM PERFORMANCE DATA

Power supply		
Normal Operational Voltage	(V, Ph, Hz)	208/230V, 1Ph, 60Hz
Voltage Range	(V)	187-253
Electrical		
Minimum circuit ampacity	(A)	40.0
Max. fuse	(A)	60.0
Connection wiring		14AWG*4 Stranded, unshielded
Cooling		
Capacity	(Btu/h)	48000(19000-50000)
Power Input	(W)	3840(750-4990)
Current	(A)	16.8(4.3-21.9)
SEER2	(Btu/W)	23.4
EER2	(Btu/W)	12.5
Heating		
Capacity	(Btu/h)	48000(12500-52000)
Power Input	(W)	3940(770-5300)
Current	(A)	17.1(4.4-23.3)
HSPF2-4	(Btu/W)	8.7
HSPF2-5	(Btu/W)	6.8
COP	W/W	3.57
Heat at 17F(H32)	(Btu/h)	34000
Heat at 5F(H42)	(Btu/h)	33000
COP at 5F(H42)	W/W	1.80

	(Deg. °F)	5~122
Outdoor(cooling)	(Deg. °C)	-15~-50
	(Deg. °F)	-13~75
Outdoor(heating)	(Deg. °C)	-25~-24

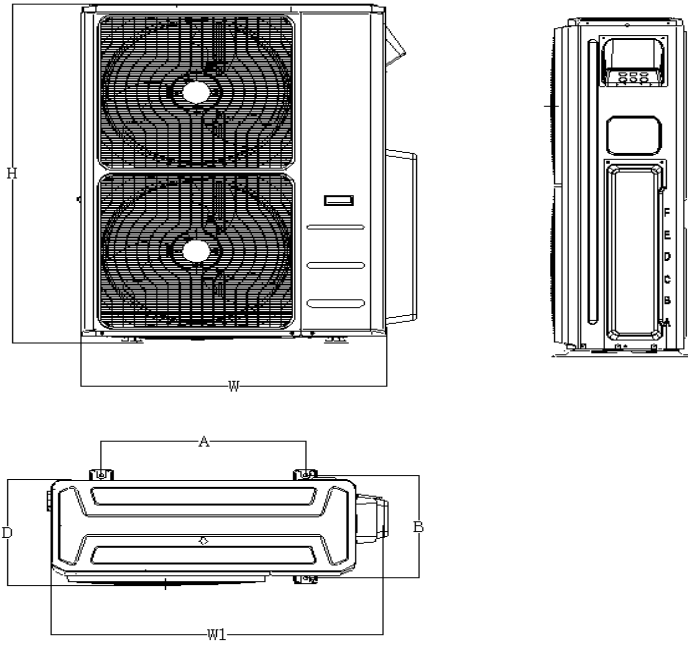
REFRIGERANT PIPE DATA

Design pressure	(PSIG)	550/340
Refrigerant Type		R410A
Refrigerant charge	oz	162.0
Refrigerant precharge	(ft)	25x5
Additional charge for each ft (Φ6.35 (1/4") liquid pipe)	(oz/ft)	0.16
	(g/ft)	15.0
Additional charge for each ft (Φ9.52 (3/8") liquid pipe)	(oz/ft)	0.32
	(g/ft)	30.0
Liquid side	(inch)	5x1/4"
	(mm)	5x6.35
Gas side	(inch)	3x3/8"+2x1/2"
	(mm)	3x9.52+2x12.7
Max. length for all rooms	(ft)	262.5
	(m)	80.0
Max. length for one indoor unit	(ft)	114.8
	(m)	35.0
Max. height difference between indoor and outdoor unit	(ft)	49.2
	(m)	15.0
Max. height difference between indoor units	(ft)	33.0
	(m)	10.0

OUTDOOR UNIT DATA

Compressor		
Type		ROTARY
Model		ATQ360D1UMU
Brand		GMCC
Capacity	(Btu/h)	38214
Input	(W)	3040
Rated current (RLA)	(A)	24
Refrigerant oil/oil charge	(ml)	VG74/1400
Outdoor fan motor		
Model		ZKFN-85-8-22-5
Qty		2
Input	(W)	126.00
Output	(W)	85.00
RLA	(A)	2.50
Speed	(r/min)	900/850/800/750
Air flow & Noise level		
Outdoor air flow (Max.)	(CFM)	4500.00
Outdoor noise level	[dB(A)]	64.00
Outdoor unit		
Dimension (W×D×H)	(inch)	37.48x16.34x52.48
	(mm)	952x415x1333
Packing (W×D×H)	(inch)	43.11x19.49x58.27
	(mm)	1095x495x1480
Net/ Gross weight	(lbs.)	225.53/256.62
	(kg)	102.3/116.4

Outdoor unit dimension



Unit	W	D	H	W1	A	B
mm	952	415	1333	1060	634	404
inch	37.5	16.3	52.5	41.7	25.0	15.9