

18,000 BTU Single Zone High SEER Wall Mounted

Job Name _____
 Location _____
 Engineer _____
 Submitted To _____
 Submitted By _____
 Reference _____

Date _____
 Approval _____
 Construction _____
 Unit No _____
 Drawing No _____

PRODUCT FEATURES

- Auto Changeover
- 24 hr. Timer
- Auto Louver: Up/Down
- Minimum Heat Mode
- Wireless Remote control
- Auto Restart
- Economy Mode
- Auto Fan Mode



MODEL NUMBERS

Indoor Unit	ASUH18MAS
Outdoor Unit	AOUH18LMAS1
System	18LMAS1

EFFICIENCIES

SEER	21.1	
EER	13	
HSPF	12.5	
COP	kW/kW	4.00
	BTU/hW	13.60

OUTDOOR TEMPERATURE OPERATION RANGE

Cooling	*F(°C)	14 to 115 (-10 to 46)
Heating		5 to 75 (-15 to 24)

CAPACITIES

Cooling	Rated	BTU/hW	18,000
	Min.-Max.		7,000 - 20,000
Heating	Rated		21,600
	Min.-Max.		8,000 - 29,000

LINESET REQUIREMENTS

Connection Method	Flare		
Liquid	in (mm)	Ø3/8 (Ø9.52)	
		Ø5/8 (Ø15.88)	
Pre-Charge Length	ft (m)	49 (15)	
		Minimum Length	16 (5)
		Maximum Length	164 (50)
		Max. Height Diff.	98 (30)

INDOOR DIMENSIONS & WEIGHT

Net (H x W x D)	in	11 x 38-9/16 x 9-7/16
	mm	280 x 980 x 240
Gross (H x W x D)	in	12-11/16 x 42-7/16 x 13-5/8
	mm	322 x 1,078 x 346
Net Weight	lb (kg)	29 (13.0)
Gross Weight		36 (16.5)

OUTDOOR DIMENSIONS & WEIGHT

Net (H x W x D)	in	31 x 37 x 12-5/8
	mm	788 x 940 x 320
Gross (H x W x D)	in	38-1/16 x 40-7/16 x 17-1/2
	mm	966 x 1,027 x 445
Net Weight	lb (kg)	117 (53)
Gross Weight		134 (61)



Indoor Unit ETL#: 91987
 Outdoor Unit ETL#: 91987

Effective Date: 11/9/2021

Warranty Information



7 Year Compressor, 5 Year Parts out-of-the-box Warranty



10 Year Compressor, 10 Year Parts Warranty when registered within 60 days of installation in a residence



12 Year Compressor, 12 Year Parts Warranty when registered within 60 days of installation in a residence, and installed by a Fujitsu Elite contractor

ACCESSORIES

UTY-RNRUZ5	Wired Remote Controller (Touch Panel)
UTY-RSRY	Simple Remote Control
UTY-RHRY	Simple Remote Control (Hospitality)
FJ-AC-BAC-1L	BACnet MSTP Gateway
UTY-TTRXZ1	24V Thermostat Interface
UTY-TWRXZ2	Interface Kit
UTY-TFSXF1	WIFI Module



This system combination is Energy Star qualified



+App available in Apple® App Store and Google® Play Store.

Due to continuous product improvements, specifications are subject to change without notice. Please log in to the Fujitsu Portal for the most up-to-date documentation <https://portal.fujitsugeneral.com>

18,000 BTU Single Zone High SEER Wall Mounted System

FAN DATA

Indoor Unit Airflow Rate	Cooling	High	CFM (m3/h)	577 (980)
		Medium		489 (830)
		Low		377 (640)
		Quiet		300 (510)
	Heating	High	589 (1,000)	
		Medium	500 (850)	
		Low	377 (640)	
		Quiet	300 (510)	
Outdoor Unit Airflow Rate	Cooling		1,683 (2,860)	
	Heating		1,742 (2,960)	

SOUND PRESSURE

Indoor Unit	Cooling	High	dB (A)	46
		Medium		41
		Low		35
		Quiet		30
	Heating	High	46	
		Medium	41	
		Low	35	
		Quiet	30	
Outdoor Unit	Cooling		49	
	Heating		50	

REFRIGERANT

Type	R410A		
Charge	lb oz	3 lb 15 oz	
	kg	1.800	
Oil Type	POE (RB68)		

ELECTRICAL SPECIFICATIONS

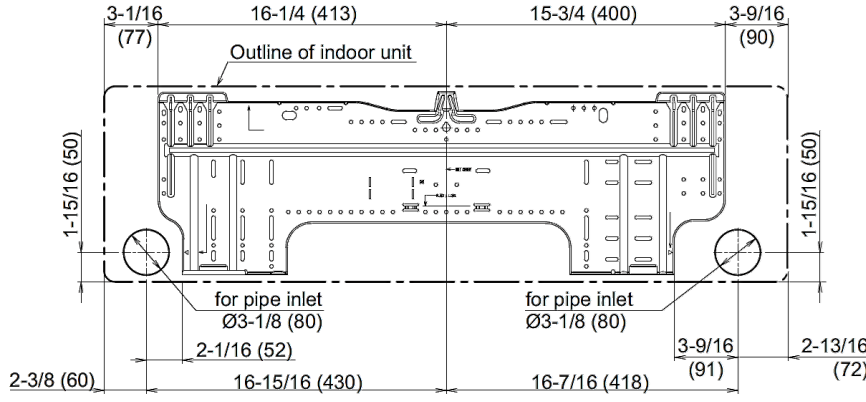
Voltage/Frequency/Phase			208/230 V / 1Ø / 60Hz	
Voltage Range			187-253V-60HZ	
Current	Cooling	Rated	A	6.2
	Heating	Rated		7
Maximum Operating Current		Cooling		13.4
		Heating		13.9
Starting Current			7	
MCA			17.1	
Maximum Circuit Breaker			20	
Input Power	Cooling	Rated Min.-Max.	kW	1.38
	Heating	Rated		0.45 - 1.86
		Min.-Max.		1.58
				0.55 - 2.82
Power Factor	Cooling		%	96.8
	Heating			98.1

OTHER

Moisture Removal	pints/h (L/h)	4.0 (1.9)
Energy Star		Yes
Drain hose	Material	PP+HDPE
Size	in (mm)	Ø17/32 (Ø13.8) (I.D.), Ø19/32 to 21/32 (Ø15.0 to 16.8) (O.D.)
	Operation Range	Cooling °F (°C) 64 to 90 (18 to 32) %RH 80 or less Heating °F (°C) 86 (30) or less

Wall Bracket Data:

Units: In. (mm)



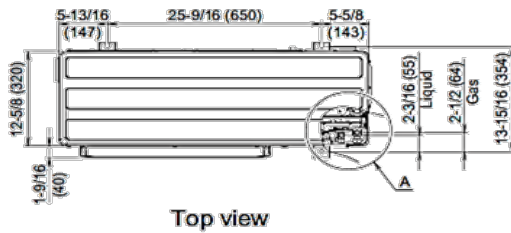
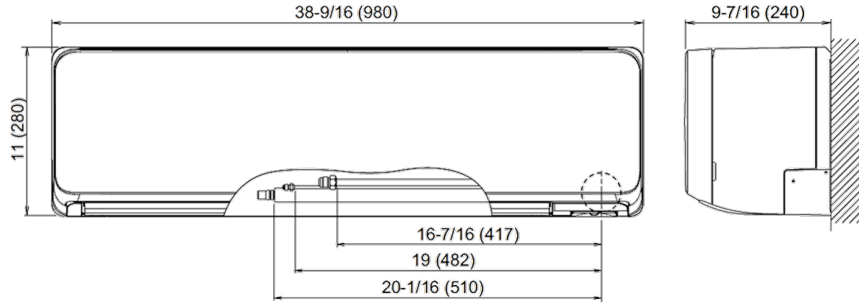
The Fujitsu logo is a worldwide trademark of Fujitsu General Limited. The Halcyon logo and name is a worldwide trademark of Fujitsu General Limited and is a registered trademark in Japan, the USA and other countries or areas. Copyright 2021 Fujitsu General America, Inc. Fujitsu's products are subject to continuous improvements. Fujitsu reserves the right to modify product design, specifications and information in this brochure without notice and without incurring any obligations.

Note: Specifications are based on the following conditions:
Cooling: Indoor temperature of 80°F (26.7°C) DB/67°F (19.4°C) WB, and outdoor temperature of 95°F (35°C) DB/75°F (23.9°C) WB. Heating: Indoor temperature of 70°F (21.1°C) DB/60°F (15.6°C) WB, and outdoor temperature of 47°F (8.3°C) DB/43°F (6.1°C) WB. Pipe length: 25ft. (7.5m), Height difference: 0ft. (0m) (Outdoor unit - indoor unit).

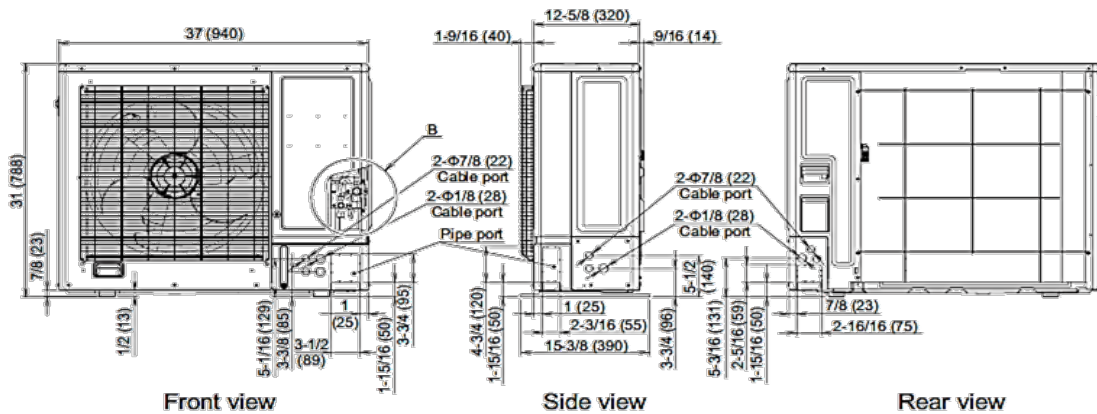
18,000 BTU Single Zone High SEER Wall Mounted System

DIMENSIONS

Units: In. (mm)



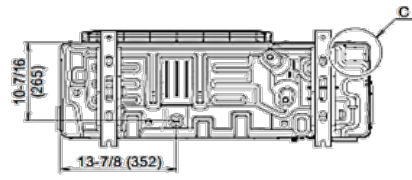
Top view



Front view

Side view

Rear view



Bottom view

The Fujitsu logo is a worldwide trademark of Fujitsu General Limited. The Halcyon logo and name is a worldwide trademark of Fujitsu General Limited and is a registered trademark in Japan, the USA and other countries or areas. Copyright 2021 Fujitsu General America, Inc. Fujitsu's products are subject to continuous improvements. Fujitsu reserves the right to modify product design, specifications and information in this brochure without notice and without incurring any obligations.

Note: Specifications are based on the following conditions:
 Cooling: Indoor temperature of 80°F (26.7°C) DB/67°F (19.4°C) WB, and outdoor temperature of 95°F (35°C) DB/75°F (23.9°C) WB. Heating: Indoor temperature of 70°F (21.1°C) DB/60°F (15.6°C) WB, and outdoor temperature of 47°F (8.3°C) DB/43°F (6.1°C) WB. Pipe length: 25ft. (7.5m), Height difference: 0ft. (0m) (Outdoor unit - indoor unit).