

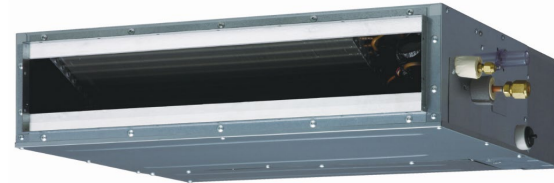
Inverter Driven Heat Pump **18,000 BTU Single Zone Slim Ducted System**

Job Name _____
 Location _____
 Engineer _____
 Submitted To _____
 Submitted By _____
 Reference _____

Date _____
 Approval _____
 Construction _____
 Unit No _____
 Drawing No _____

PRODUCT FEATURES

- Auto Changeover
- 24 hr./Weekly Timer
- Built in condensate Pump
- Auto Restart
- Economy Mode
- Auto Fan Mode
- Daisy Chain Compatible



MODEL NUMBERS	
Indoor Unit	ADUH18LUAS1
Outdoor Unit	AOUH18LUAS1
System	18LUAS1D

EFFICIENCIES		
SEER	20.2	
EER	12.5	
HSPF	11.4	
COP	kW/kW	3.70
	Btu/hW	12.6

OUTDOOR TEMPERATURE OPERATION RANGE	
Cooling	°F(°C) 14 to 115 (-10 to 46)
Heating	-5 to 75 (-21 to 24)

CAPACITIES			
Cooling	Rated	BTU/hW	17,100
	Min.—Max.		3,100–20,100
Heating	Rated	BTU/hW	21,600
	Min.—Max.		3,100–25,600

LINESET REQUIREMENTS	
Connection Method	Flare
Liquid	in (mm) Ø1/4 (Ø6.35)
Gas	Ø1/2 (Ø12.70)
Pre-Charge Length	66 (20)
Minimum Length	ft (m) 16 (5)
Maximum Length	98 (30)
Max. Height Diff.	49 (15)

INDOOR DIMENSIONS & WEIGHT	
Net (H x W x D)	in 7-13/16 x 35-7/16 x 24-7/16
	mm (198 x 900 x 620)
Gross (H x W x D)	in 10-7/8 x 46 x 30-3/8
	mm (276 x 1,168 x 772)
Net Weight	44 (20)
Gross Weight	57 (26)

OUTDOOR DIMENSIONS & WEIGHT	
Net (H x W x D)	in 24-7/8 x 31-7/16 x 11-7/16
	mm (632 x 799 x 290)
Gross (H x W x D)	in 27-1/4 x 37 x 14-3/4
	mm (692 x 940 x 375)
Net Weight	86 (39)
Gross Weight	95 (43)

Warranty Information



7 Year Compressor, 5 Year Parts out-of-the-box Warranty



10 Year Compressor, 10 Year Parts Warranty when registered within 60 days of installation in a residence



12 Year Compressor, 12 Year Parts Warranty when registered within 60 days of installation in a residence, and installed by a Fujitsu Elite contractor

ACCESSORIES

UTY-TTRX	3rd Party Thermostat Converter
UTY-RNRUZ5	Wired Remote (backlite)
UTY-RSRY	Simple Remote
UTY-LBTUM	IR Receiver Kit W/Wireless Remote
UTY-XSZX	Remote Sensor
UTD-GXTB-W	Auto Louver Grill
UTY-XWZXZG	External Connect Kit
UTY-TFSXZ2	Wireless LAN Adaptor
UTY-XCSX	External Input/Output PCB



This system combination is Energy Star qualified



Indoor Unit ETL#: 3170288
 Outdoor Unit ETL#: 91987

Inverter Driven Heat Pump

18,000 BTU Single Zone Slim Ducted System

FAN DATA

Indoor Unit Airflow Rate	Cooling	High	CFM (m3/h)	553 (940)
		Medium		518 (880)
		Low		482 (820)
		Quiet		441 (750)
	Heating	High		553 (940)
		Medium		518 (880)
		Low		482 (820)
		Quiet		441 (750)
Outdoor Unit Airflow Rate	Cooling		1,395 (2,370)	
	Heating		1,460 (2,480)	

SOUND PRESSURE

Indoor Unit	Cooling	High	dB (A)	32
		Medium		30
		Low		29
		Quiet		27
	Heating	High		32
		Medium		30
		Low		29
		Quiet		27
Outdoor Unit	Cooling		52	
	Heating		55	

REFRIGERANT

Type	R410A		
Charge	lb oz	2 lb 12 oz	
	kg	1,250	
Oil Type	RB68		

ELECTRICAL SPECIFICATIONS

Voltage/Frequency/Phase		208/230V~60HZ	
Voltage Range		187-253V~60HZ	
Current	Cooling	Rated	6.1
	Heating	Rated	7.6
Maximum Operating Current	Cooling		11.8
	Heating		14.8
Starting Current		8.1	
MCA		14.8	
Maximum Circuit Breaker		20	
Input Power	Cooling	Rated	1.37
		Max	2.05
	Heating	Rated	1.71
		Max	2.57
Power Factor	Cooling	%	97.6
	Heating		97.8

OTHER

Moisture Removal	pints/h (L/h)	4.2 (2.0)	
Energy Star		Yes	
Drain hose	Material	Hard PVC	
Size	in (mm)	Ø 3/4 (Ø 20.7) (I.D.) Ø 1-1/16 (Ø 26.6) (O.D.)	
IDU Operation Range	Cooling	°F (°C)	64 to 90 (18 to 32)
		%RH	80 or less
Static Pressure in W.C.	Heating	°F (°C)	60 to 88 (16 to 30)
			0 ~ 0.36

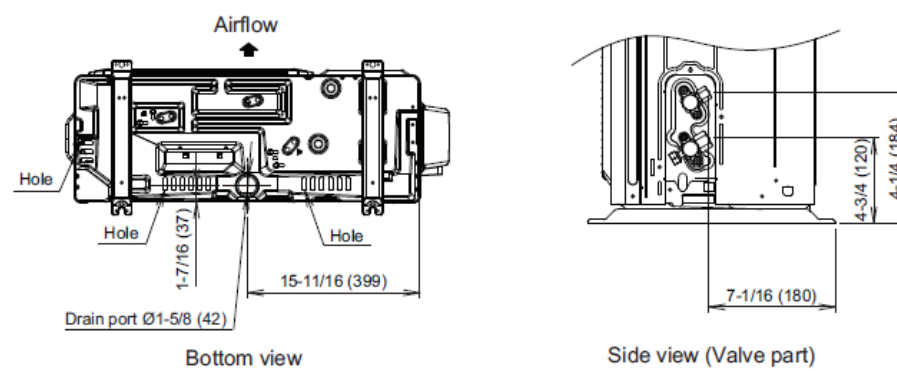
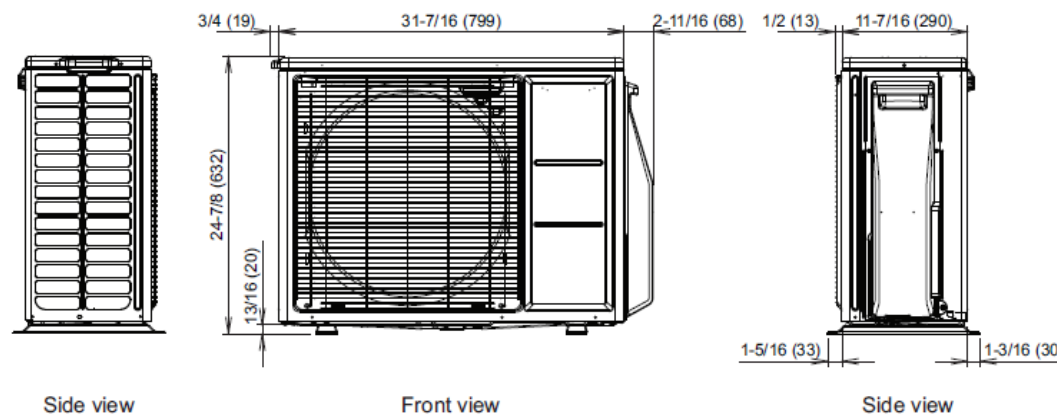
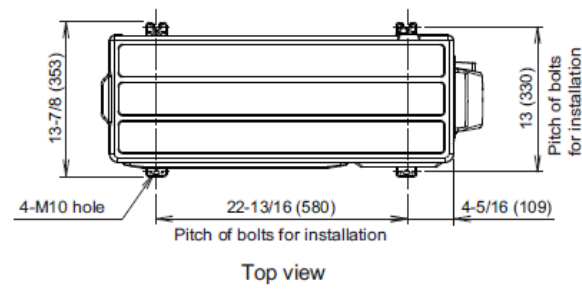
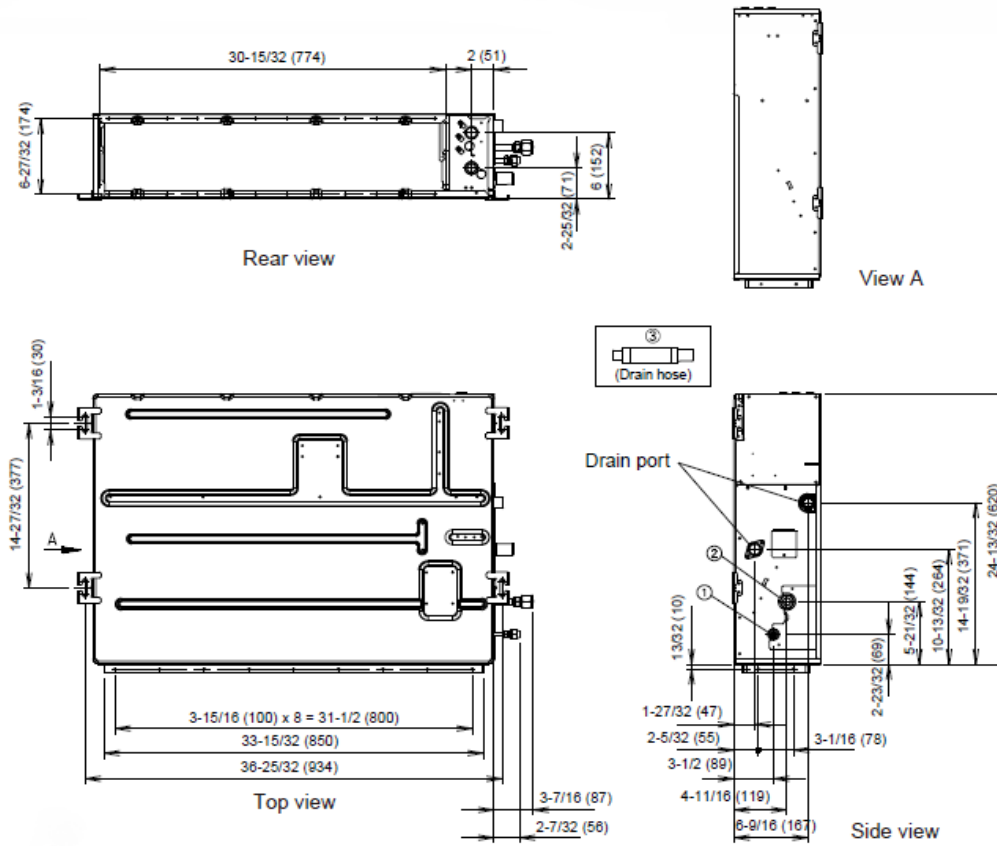
Auto Louver Grill Data (SOLD SEPARATELY):



Model Name	UTD-GXSB-W UTD-GXTB-W		
Power Supply	Connecting with Control box of indoor unit		
Attachment of Auto Louver	Louver attached by screws to the flange of rectangular duct		
Extension Square Duct Limit	In. (mm)	39-3/8 (1.0) Max Duct Length between indoor unit and Grill	
Net Dimension (H x W x D)	In.	7-1/16 x 34 3/4 x (3-15/16+3/8)	
	(mm)	(180 x 683 x (84+9))	
Weight	Net	lbs.	4.4 (2.0)
	Gross	(kg)	6.7 (3.0)
Color	White		
Louver Motor	Stepping Motor		
Material	Flame Retardant ABS		
Accessories	Attachement Frame		
Operation Range	Cooling	°F (°C)	64 to 90 (18 to 32)
		% RH	80% or less
	Heating	°F (°C)	60 to 88 (16 to 30)

The Fujitsu logo is a worldwide trademark of Fujitsu General Limited. The Halcyon logo and name is a worldwide trademark of Fujitsu General Limited and is a registered trademark in Japan, the USA and other countries or areas. Copyright 2018 Fujitsu General America, Inc. Fujitsu's products are subject to continuous improvements. Fujitsu reserves the right to modify product design, specifications and information in this brochure without notice and without incurring any obligations.

Note: Specifications are based on the following conditions:
 Cooling: Indoor temperature of 80°F (26.7°C) DB/67°F (19.4°C) WB, and outdoor temperature of 95°F (35°C) DB/75°F (23.9°C) WB. Heating: Indoor temperature of 70°F (21.1°C) DB/60°F (15.6°C) WB, and outdoor temperature of 47°F (8.3°C) DB/43°F (6.1°C) WB. Pipe length: 25ft. (7.5m), Height difference: 0ft. (0m) (Outdoor unit – indoor unit).



The Fujitsu logo is a worldwide trademark of Fujitsu General Limited. The Halcyon logo and name is a worldwide trademark of Fujitsu General Limited and is a registered trademark in Japan, the USA and other countries or areas. Copyright 2018 Fujitsu General America, Inc. Fujitsu's products are subject to continuous improvements. Fujitsu reserves the right to modify product design, specifications and information in this brochure without notice and without incurring any obligations.

Note: Specifications are based on the following conditions:
 Cooling: Indoor temperature of 80°F (26.7°C) DB/67°F (19.4°C) WB, and outdoor temperature of 95°F (35°C) DB/75°F (23.9°C) WB. Heating: Indoor temperature of 70°F (21.1°C) DB/60°F (15.6°C) WB, and outdoor temperature of 47°F (8.3°C) DB/43°F (6.1°C) WB. Pipe length: 25ft. (7.5m), Height difference: 0ft. (0m) (Outdoor unit – indoor unit).