



# REPAIR PARTS

---

## GPCH3 Horizontal Package Cooling Units

GPCH32441AA  
GPCH33041AA  
GPCH33641AA  
GPCH34241AA  
GPCH34841AA  
GPCH36041AA



This manual is to be used by qualified technicians only.

© 2022 Goodman Manufacturing Company, L.P. ♦ 5151 San Felipe St, Suite 500 ♦ Houston, TX 77056

# Important Information

---

## Index

Functional Parts List .....	3
Illustration and Parts .....	4 - 11

*Views shown are for parts illustrations only, not servicing procedures.*

### Text Codes:

AR - As Required

NA - Not Available

NS - Not Shown

00000000 - See Note

QTY - Quantity Example (QTY 3) (If Quantity not shown, Quantity = 1)

M - Model Example (M1) (If M Code not shown, then part is used on all Models)

### Expanded Model Nomenclature:

Example M1 - Model#1 M2 - Model#2 M3 - Model#3
---

Goodman Manufacturing Company, L.P. is not responsible for personal injury or property damage resulting from improper service. Review all service information before beginning repairs.

Warranty service must be performed by an authorized technician, using authorized factory parts. If service is required after the warranty expires, Goodman Manufacturing Company, L.P. also recommends contacting an authorized technician and using authorized factory parts.

Goodman Manufacturing Company, L.P. reserves the right to discontinue, or change at any time, specifications or designs without notice or without incurring obligations.

For assistance within the U.S.A. contact:  
Homeowner Support  
Goodman Manufacturing Company, L.P.  
19001 Kermier Road  
Waller, Texas 77484  
877-254-4729-Telephone  
713-863-2382-Facsimile

For assistance outside the U.S.A. contact:  
International Division  
Goodman Manufacturing Company, L.P.  
19001 Kermier Road  
Waller, Texas 77484  
713-861-2500-Telephone  
713-863-2382-Facsimile

# Functional Parts

## Part

## No: Description:

---

0121G00566	BLOCKOFF COND POST (M6)
B1368054	BLOWR WHEEL (11X8, CLOCKWISE) (M6)
ZP31K6EPFV120	COMP, 42500, 208/230/60/1 (M3)
0201G00183	COND COIL ASSY (M3)
0131M00747M	CONTROLLERLESS MOTOR (M4, M5, M6)
0131M00750M	CONTROLLERLESS MOTOR (M1, M2, M3)
0161G00000P	DRIP PAN
0150M00055	FAN BLADE, 22" (M1, M2)
0130M00074	HIGH PRESSURE SWITCH (M1, M6)
0121G00069PDG	PNL, LVR, 27.5" 4BANK (M3)
0121G00072PDG	PNL, LVR, 27.5" 5BANK (M1, M2, M3)
0121G00070PDG	PNL, LVR, 32.5" 4BANK (M4, M5, M6)
0121G00073PDG	PNL, LVR, 32.5" 5BANK (M4, M5, M6)
0121G00045P	POST 27.5" (M1, M2, M3)
0121G00079P	POST, 32.5" (M4, M5)
0121G00565	POST-SIDE 32.5" (M6)
0131G00126	PROGRAMMED CONTROLLER (M1)
0131G00127	PROGRAMMED CONTROLLER (M2)
0131G00128	PROGRAMMED CONTROLLER (M3)
0131G00129	PROGRAMMED CONTROLLER (M4)
0131G00130	PROGRAMMED CONTROLLER (M5)
0131G00131	PROGRAMMED CONTROLLER (M6)
0162G00008	SINGLE-FLOW FILTER DRIER,STL (M1, M2, M3)
0151M00075	VALVE TXV R410A (M6)
B1368016	WHEEL, BLOWER, 10X8 (M1, M2, M3, M4, M5)

### Expanded Model Nomenclature

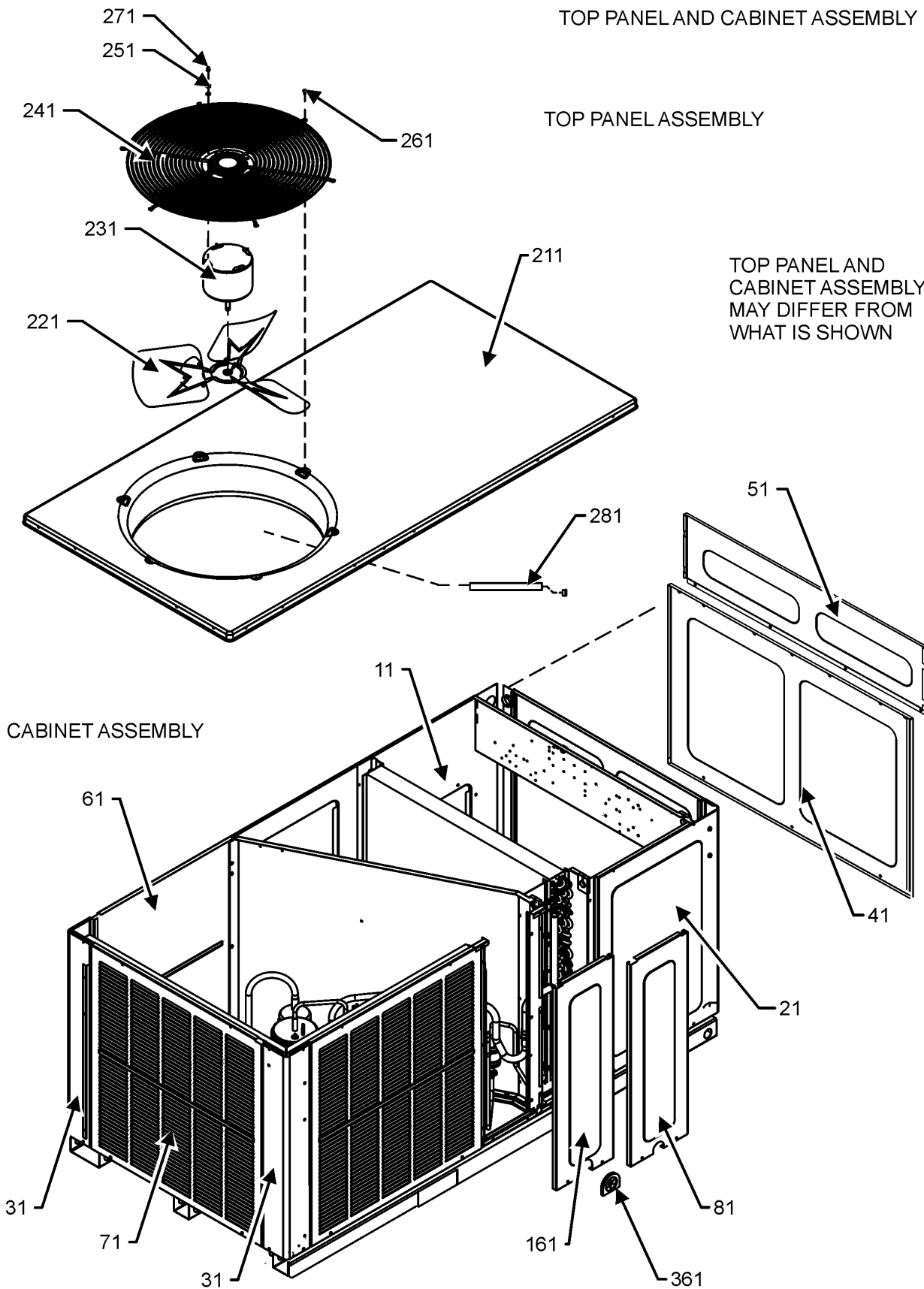
M1 - GPCH32441AA
M2 - GPCH33041AA
M3 - GPCH33641AA
M4 - GPCH34241AA
M5 - GPCH34841AA
M6 - GPCH36041AA

# Top Panel and Cabinet Assembly

TOP PANEL AND CABINET ASSEMBLY

TOP PANEL ASSEMBLY

TOP PANEL AND CABINET ASSEMBLY MAY DIFFER FROM WHAT IS SHOWN



# Top Panel and Cabinet Assembly

Ref. Part No:	Part No:	Description:	Ref. Part No:	Part No:	Description:
---------------	----------	--------------	---------------	----------	--------------

**Image 1:**

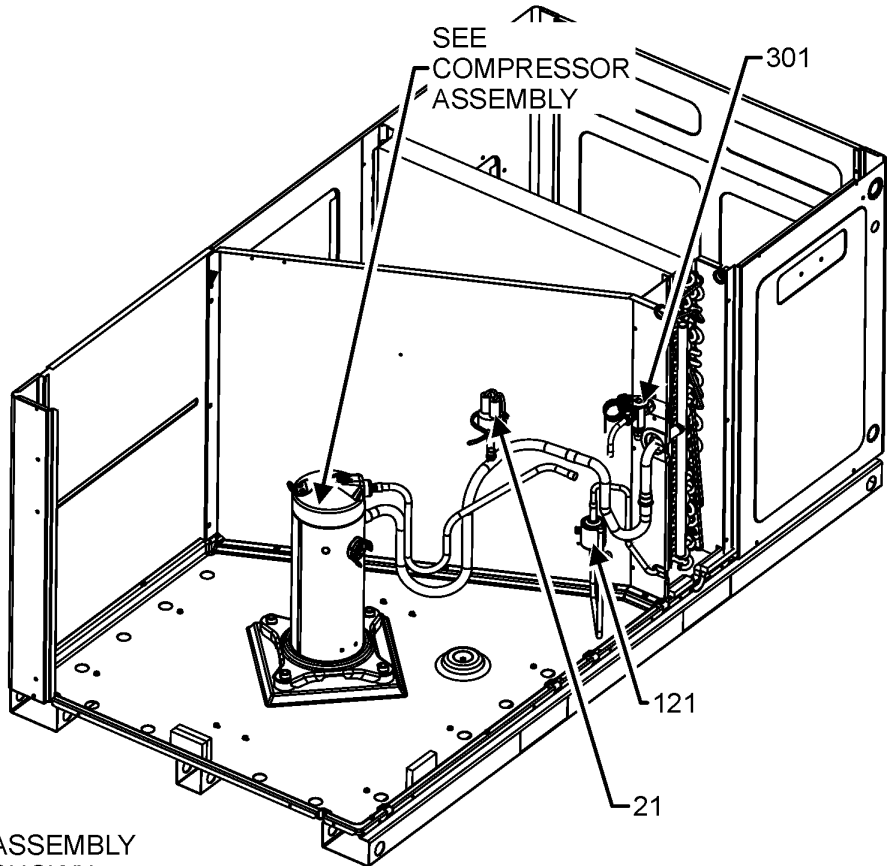
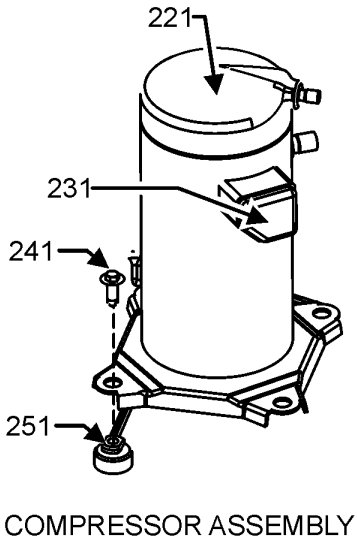
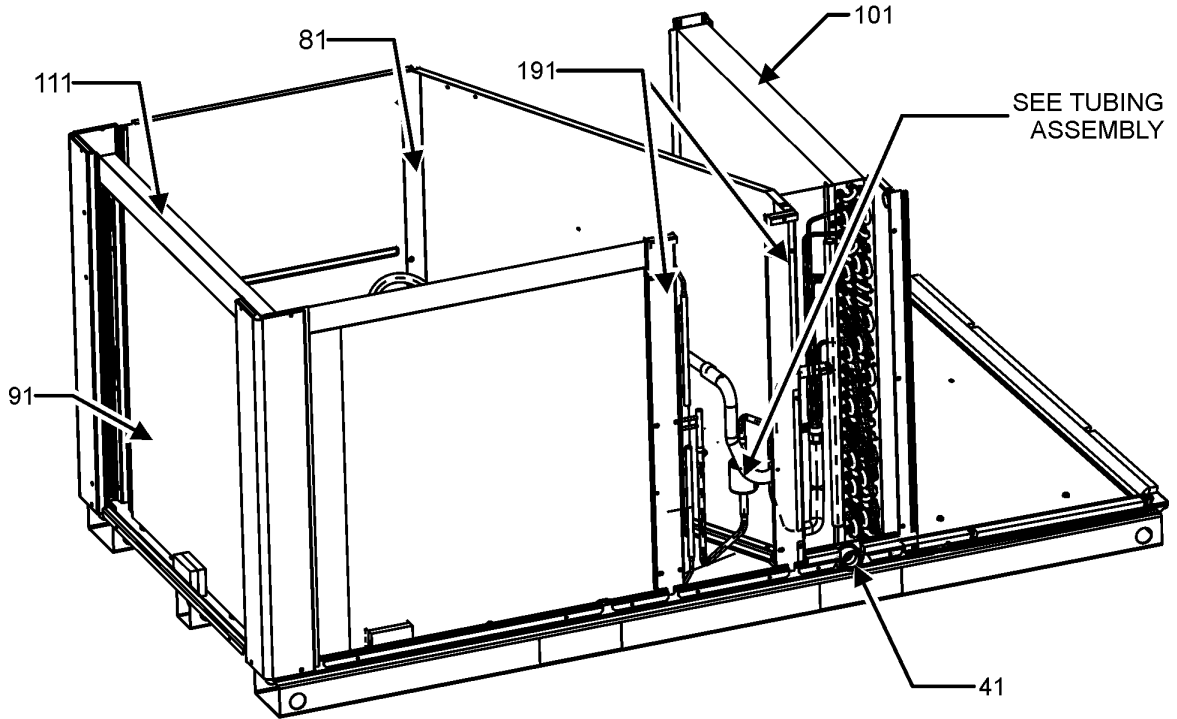
11	0121G00667PDG	PNL, DUCT 27.5" (M1, M2, M3)
11	0121G00668PDG	PNL, DUCT, 32.5" (M4, M5, M6)
21	0121G00664DG	PNL, CORNER, 27.5" (M1, M2, M3)
21	0121G00665DG	PNL, CORNER, 32.5" (M4, M5, M6)
31	0121G00047PDG	POST, COR, 27.5" (M3)
31	0121G00048PDG	POST, COR, 32.5" (M4, M5, M6)
31	0121G00516DG	POST, CORNER, 27.5" PAINTED (M1, M2)
41	0121G00271DG	PNL, EXT BLOWER, 27.5" (M1, M2, M3)
41	0121G00272DG	PNL, EXT BLOWER, 32.5" (M4, M5, M6)
51	0121G00276DG	EXTERNAL CONTROL BOX PANEL (M1, M2)
51	0121G00276DG	EXTERNAL CONTROL BOX PANEL (M1, M2)
61	0121G00069PDG	PNL, LVR, 27.5" 4BANK (M3)
61	0121G00070PDG	PNL, LVR, 32.5" 4BANK (M4, M5, M6)
61	0121G00517DG	PNL, NO LVR 27.5" PAINTED (M1, M2)
71	0121G00072PDG	PNL, LVR, 27.5" 5BANK (M1, M2, M3)
71	0121G00073PDG	PNL, LVR, 32.5" 5BANK (M4, M5, M6)
81	0121G00065PDG	PNL, EVAP, 8.75" X 27.5" (M1, M2, M3)
81	0121G00066PDG	PNL, EVAP, 8.75" X 32.5" (M4, M5, M6)
161	0121G00711DG	PNT, COMPRESSOR PANEL (M1, M2)
161	0121G00712DG	PNT, COMPRESSOR PANEL (M4, M5, M6)
161	0121G00713DG	PNT, COMPRESSOR PANEL (M3)
211	0121G00274DG	TOP PANEL PAINTED
221	0150G00004	BLADE, FAN 24 OA SERIES (M4, M5, M6)
221	0150M00055	FAN BLADE, 22" (M1, M2)
221	B1086765	FAN BLADE, TYPE 3 (M3)
231	0131M00847	MOTOR, 1/4 HP, 1 SP, 6 PL (M4, M5, M6)
231	0131M00836	MOTOR, 1/4HP,1SP,8PL,AL (M3)
231	0131M00979	MOTOR, 1/6 HP, 1SP, 8PL,AL (M1, M2)
241	0152G00003	FAN GRILLE
251	0163M00005P	WASHER, BLACK (.50 OD .218ID) (QTY 4)
261	M0221817	SMALL SCREW (QTY 6)
271	0163M00006P	ACORN NUT 5/16 HEX BLACK (QTY 4)
281	0161G00016	CONDUIT PVC
361	0164G00005	GROMMET-HORSESHOE 1.675
NS	B1392012	GROMMET / HS 1.0 - .79 (QTY 2)

**Expanded Model Nomenclature**

M1 - GPCH32441AA
M2 - GPCH33041AA
M3 - GPCH33641AA
M4 - GPCH34241AA
M5 - GPCH34841AA
M6 - GPCH36041AA

# Tubing and Compressor Assembly

TUBING AND COMPRESSOR ASSEMBLY



TUBING AND COMPRESSOR ASSEMBLY  
MAY DIFFER FROM WHAT IS SHOWN

TUBING ASSEMBLY

# Tubing and Compressor Assembly

Ref. Part No:	Part No:	Description:	Ref. Part No:	Part No:	Description:
---------------	----------	--------------	---------------	----------	--------------

**Image 1:**

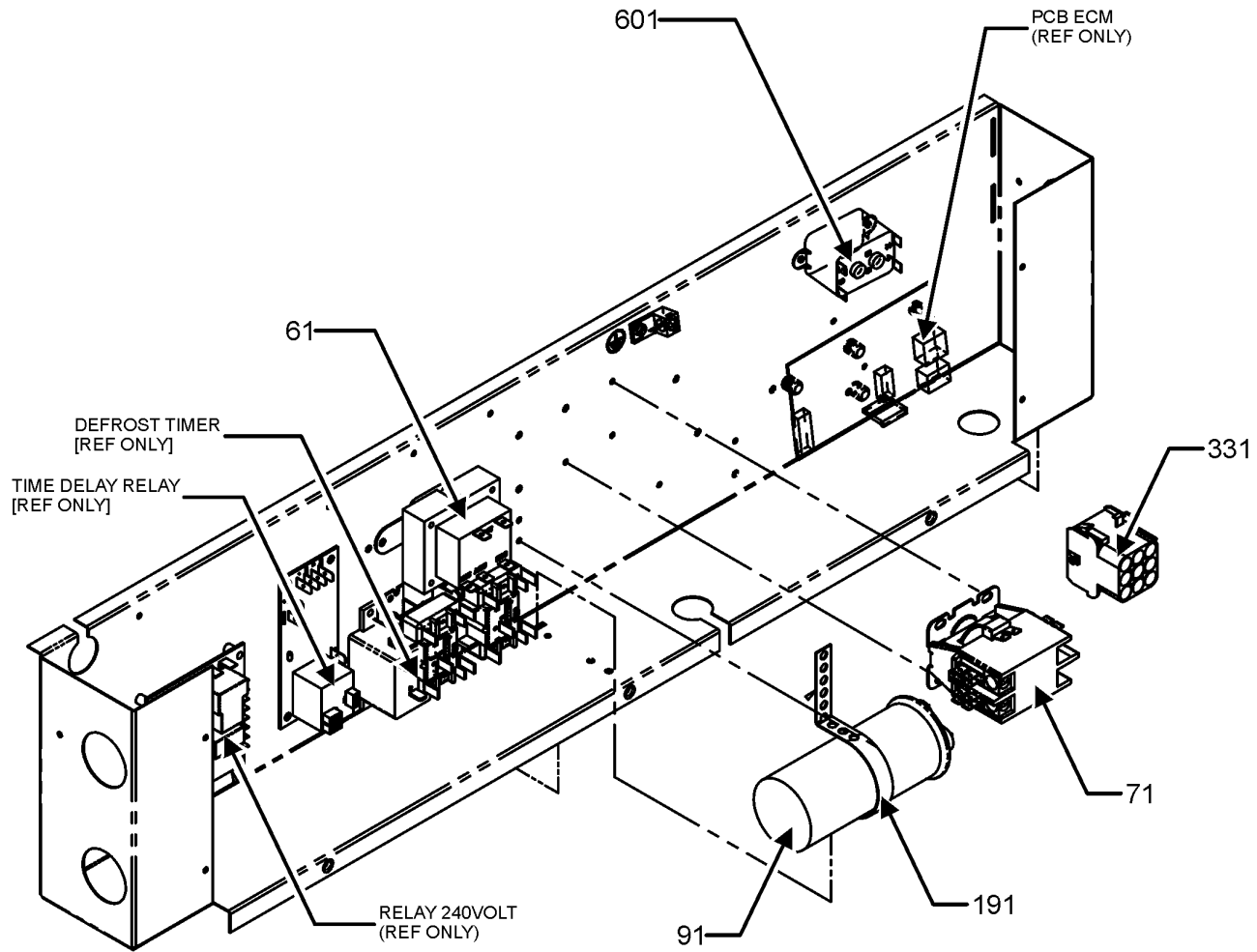
21	0130M00074	HIGH PRESSURE SWITCH (M1, M6)
41	0161G00000P	DRIP PAN
81	0121G00566	BLOCKOFF COND POST (M6)
91	0201G00187	COIL TUBING ASSY (M4, M5)
91	0201G00183	COND COIL ASSY (M3)
91	0201G00308	CONDENSER COIL ASSY (M1, M2)
91	0201G00334	FORMED CONDENSER COIL (M6)
101	0202G00552	COIL TUBING ASSY (M3)
101	0202G00736	COIL TUBING ASSY (M4, M5)
101	0202G00741	COIL TUBING ASSY (M1)
101	0202G00743	COIL TUBING ASSY (M2)
101	0202G00663	EVAP COIL ASSY (M6)
111	0121G00519	BLOCKOFF-COND COIL (M1, M2)
111	0121G00368	CONDENSER COIL BLOCK OFF 2.3T (M3)
111	0121G00372	CONDENSER COIL BLOCKOFF (M4, M5, M6)
121	0162G00007	SINGLE-FLOW FILTER DRIER,STL (M4, M5, M6)
121	0162G00008	SINGLE-FLOW FILTER DRIER,STL (M1, M2, M3)
191	0121G00045P	POST 27.5" (M1, M2, M3)
191	0121G00079P	POST, 32.5" (M4, M5)
191	0121G00565	POST-SIDE 32.5" (M6)
221	50N492ZV-ZAKM	2.0TONRECHI COMPR.4 LEGS (M1)
221	ZPS49K6EPFV130	COMP 49000,208/230/60/1 (M6)
221	ZP25K6EPFV120	COMP, 34200, 208/230/60/1 (M2)
221	ZP31K6EPFV120	COMP, 42500, 208/230/60/1 (M3)
221	ZP34K5EPFV130	COMP,34500,208/230/60/1 (M4)
221	ZP39K5EPFV130	COMP,39000,208/230/60/1 (M5)
231	0159G00004	COMPRESSOR SCROLL HARNESS (M2, M3, M4, M5, M6)
241	0163M00186	SCREW-SHOULDER TF (M1)
241	M0221641	TF SHOULDER SCREW (M2, M3, M4, M5, M6)
251	60140209	GROMMET - RECHI COMPRESSOR (M1)
251	B1339533	GROMMET, COMPRESSOR (SCROLL & (M2, M3, M4, M5, M6)
301	0151M00075	VALVE TXV R410A (M6)
NS	B1373315	ACCESS FITTING (QTY 2)
NS	0121G00325	BASE PAN SUPPORT RAIL
NS	0121G00044PRF	BASEPAN RAIL (QTY 2)
NS	0159G00010	CABLE COMPR SOL (M6)
NS	0163M00175	CAP WITH O-RING (QTY 2)
NS	0128G00052	EVAP DRIP SHIELD
NS	0121G00046P	PAN,BASE
NS	60100317	TERMINAL COVER (M1)
NS	60100107	TERMINAL COVER GASKET (M1)
NS	60100401	TERMINAL NUT - RECHI COMP (M1)
NS	60100201	WASHER - RECHI COMPRESSOR (M1)

**Expanded Model Nomenclature**

- |                  |
|------------------|
| M1 - GPCH32441AA |
| M2 - GPCH33041AA |
| M3 - GPCH33641AA |
| M4 - GPCH34241AA |
| M5 - GPCH34841AA |
| M6 - GPCH36041AA |

# Control Box Assembly

## CONTROL BOX ASSEMBLY



CONTROL BOX ASSEMBLY MAY DIFFER FROM WHAT IS SHOWN



# Control Box Assembly

Ref. Part No:	No:	Description:	Ref. Part No:	No:	Description:
---------------	-----	--------------	---------------	-----	--------------

---

**Image 1:**

61	0130M00138	TRANSFORMER, 208/230, 24V
71	CONT1P030024V	CONT, 1 POLE, 30 AMP, 24 VAC (M1, M2, M3, M4, M5)
71	CONT2P040024V	CONT, 2 POLE, 40 AMP, 24 VAC (M6)
91	CAP050350440CS	CAP, 5/35 MFD/440V/DUAL RD (M2)
91	CAB050450440CT	CAP, 5/45 MFD/440V RD - BPRF (M1, M3, M4, M5, M6)
191	20520901	CAPACITOR STRAP
331	0259G00021	WIRE HARNESS, ELECTRIC HEAT
601	0130M00242	RELAY 24V (M6)

**Expanded Model Nomenclature**

M1 - GPCH32441AA
M2 - GPCH33041AA
M3 - GPCH33641AA
M4 - GPCH34241AA
M5 - GPCH34841AA
M6 - GPCH36041AA

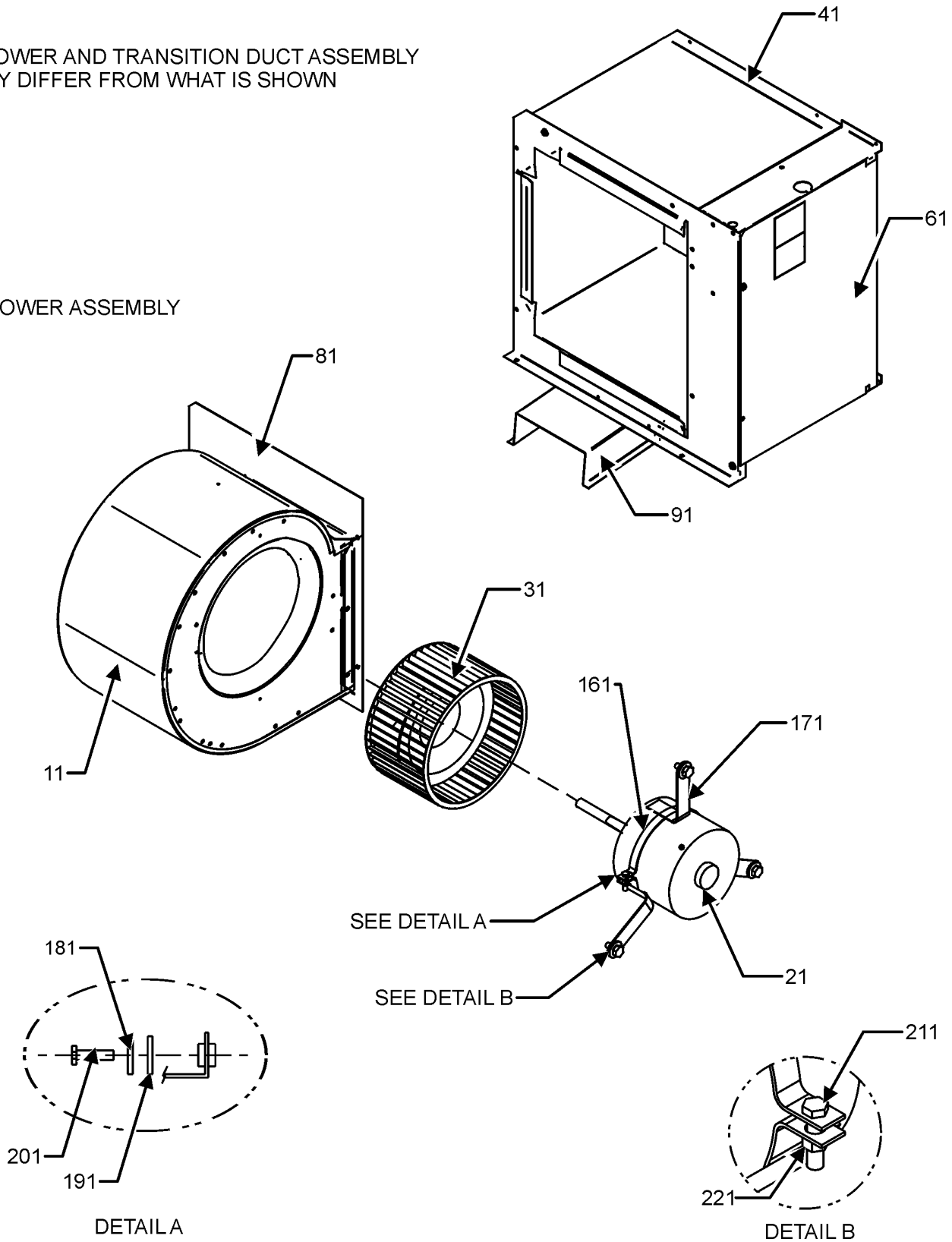
# Blower and Transition Duct Assembly

BLOWER AND TRANSITION DUCT ASSEMBLY

TRANSITION DUCT ASSEMBLY

BLOWER AND TRANSITION DUCT ASSEMBLY  
MAY DIFFER FROM WHAT IS SHOWN

BLOWER ASSEMBLY



# Blower and Transition Duct Assembly

Ref. Part No:	Ref. Part No:	Description:	Description:
---------------	---------------	--------------	--------------

**Image 1:**

11	0271G00355	BLOWER SHELL ASSY, 11 X 8 (M6)
11	10324248	HSG WELD- 10X8 BWR (M1, M2, M3, M4, M5)
21	0131M00747M	CONTROLLERLESS MOTOR (M4, M5, M6)
21	0131M00750M	CONTROLLERLESS MOTOR (M1, M2, M3)
21	0131G00126	PROGRAMMED CONTROLLER (M1)
21	0131G00127	PROGRAMMED CONTROLLER (M2)
21	0131G00128	PROGRAMMED CONTROLLER (M3)
21	0131G00129	PROGRAMMED CONTROLLER (M4)
21	0131G00130	PROGRAMMED CONTROLLER (M5)
21	0131G00131	PROGRAMMED CONTROLLER (M6)
31	B1368054	BLOWR WHEEL (11X8, CLOCKWISE) (M6)
31	B1368016	WHEEL, BLOWER, 10X8 (M1, M2, M3, M4, M5)
41	0270G00025P	TRANSITION DUCT ASSY-ALL
61	0121G00726	HEATER KIT COVER
81	0121G00035P	MT, BLO, 10X8 (M1, M2, M3, M4, M5)
81	0121G00128P	MT, BLOWER (M6)
91	0121G00040P	BLOWER SUPPOT
161	0121M00038	MOTOR MOUNT BAND
171	0171M00012	MOTOR MOUNT ARM (M1, M2, M3, M4, M5)
171	B1376857	MOTOR MOUNT ARM (M6)
181	B1392820	WASHER, SPLIT LOCK 1/4 BZ (QTY 3)
191	B1392918	WASHER, FLAT 1/4 ID X 1 OD (QTY 3)
201	M0250565	TC SCREW 1.25" (QTY 3)
211	B1393323	MACHINE SCREW HWH 1/4-20 X 1-1/2 BZ
221	B1393800	LOCKNUT, NYLON, INSERT 1/4, 20
NS	2964700	BLOWER CUTOFF (11X8) (M6)
NS	C6121810	CUTOFF CO FUR (M1, M2, M3, M4, M5)

**Expanded Model Nomenclature**

M1 - GPCH32441AA
M2 - GPCH33041AA
M3 - GPCH33641AA
M4 - GPCH34241AA
M5 - GPCH34841AA
M6 - GPCH36041AA