



Air Conditioning & Heating

# GPDM3

## PACKAGED DUAL-FUEL UNITS 13.4 SEER2/ 6.7 HSPF2/ 81% AFUE 2 TO 4 TONS



### Contents

Nomenclature.....	2
Product Specifications.....	3
Expanded Cooling Data.....	4
Expanded Heating Data.....	14
Airflow Data.....	16
Dimensions.....	17
Wiring Diagrams.....	18
Accessories.....	20

### Standard Features

- Combines cooling with heat pump and gas heating for optimal year-long performance
- Energy-efficient scroll compressor
- Heavy-duty aluminized-steel heat exchanger
- Multi-speed ECM indoor blower motor
- All-aluminum evaporator coil
- Two-stage gas valve; natural gas with easy conversion to propane with accessory kit
- Power-assisted combustion
- High and low-pressure switch protection
- Direct spark ignition system includes a microprocessor-based control for the entire ignition sequence
- All blower operation and all safety circuits complete with self-diagnostics
- All models comply with California Low NOx emission standards
- This furnace does not comply with the SCAQMD Rule 1111 nor the SJVAPCD Rule 4905 14 ng/J NOx emission limit and therefore is not eligible for installation in California's South Coast Air Quality Management District (SCAQMD) nor the San Joaquin Valley Air Pollution Control District (SJVAPCD)
- AHRI Certified; ETL Listed

### Cabinet Features

- Fully insulated heavy-gauge, zinc-coated steel cabinet with UV-resistant powder-paint finish
- Louvered metal panel condenser coil protection
- Aluminum foil-facing internal insulation reinforced with fiberglass scrim
- Compressor sound blanket
- Convenient access panels
- One roof curb fits all units
- Bottom, 2" high base rails for easy handling
- All models fit a standard-size pick-up truck
- When properly anchored, meets the 2010 Florida Building Code unit integrity requirements for hurricane-type winds (Anchor bracket kits available.)
- Meets cabinet air leakage requirements when tested in accordance with ASHRAE standard 193
- One footprint for all tonnages



\* Complete warranty details available from your local dealer or at [www.goodmanmfg.com](http://www.goodmanmfg.com). To receive the 20-Year Heat Exchanger Limited Warranty (good for as long as you own your home), and 10-Year Parts Limited Warranty, online registration must be completed within 60 days of installation. Online registration is not required in California or Quebec. The duration of warranty coverages in Texas differs in some cases.

	G	P	D	M	3	36	080	4	1	A	A		
	1	2	3	4	5	6,7	8,9,10	11	12	13	14		
<b>Brand</b>	G Goodman® Brand											<b>Minor Revision</b>	A
<b>Product Category</b>	P Packaged Unit											<b>Major Revision</b>	A
<b>Unit Type</b>	D Dual Fuel											<b>Electrical</b>	1 - 208/230V single-phase, 60 Hz
<b>Airflow</b>	M Multi-position											<b>Refrigerant</b>	4 - R-410A
<b>Efficiency</b>	3 13.4 SEER2											<b>Heat Input</b>	060 60 MBTU/H 080 80 MBTU/H 100 100 MBTU/H
												<b>Tonnage Nominal</b>	24 - 2 tons 42 - 3½ tons 30 - 2½ tons 48 - 4 tons 36 - 3 tons

	GPDM3 24***41	GPDM3 30***41	GPDM3 36***41	GPDM3 42***41	GPDM3 48***41
<b>COOLING</b>					
Cooling Capacity, BTU/hr	23,800	28,500	34,200	40,500	44,500
Sensible Capacity, BTU/hr	19,275	24,195	27,240	32,250	34,000
SEER2 / EER2	13.4 / 10.6	13.4 / 10.6	13.4 / 10.6	13.4 / 10.6	13.4 / 10.6
Decibels	76	76	79	76	76
AHRI # <sup>5</sup>	209319576	209319576	209319582	209319588	209319585
<b>HEATING</b>					
Heating Capacity, BTU/hr (47°F / 17°F)	23,500 / 13,900	28,500 / 16,600	34,400 / 21,300	39,600 / 22,985	43,285 / 25,425
C.O.P. (47°F / 17°F)	3.30 / 2.30	3.32 / 2.28	3.16 / 2.33	3.31 / 2.28	3.50 / 2.40
HSPF2	6.7	6.7	6.7	6.7	6.7
<b>GAS HEATING</b>					
High-Fire Input/Output (BTU/hr)	60,000 / 48,600	80,000 / 64,800	80,000 / 64,800	100,000 / 81,000	100,000 / 81,000
Low-Fire Input/Output (BTU/hr)	45,000 / 36,450	60,000 / 48,600	60,000 / 48,600	75,000 / 60,750	75,000 / 60,750
AFUE (%)	81	81	81	81	81
Temperature Rise Range (°F)	25 - 55/25-55	35 - 65/35 - 65	35 - 65/25 - 55	35 - 65/35 - 65	35 - 65/35 - 65
# of Burners	3	4	4	5	5
Primary/Auxiliary Limit Setting (°F)	150/150	150/150	150/150	170/150	170/150
Roll-out Limit Setting (°F)	300	350	350	350	350
<b>EVAPORATOR COIL</b>					
Face Area (ft <sup>2</sup> )	4.35	4.35	4.3	5.7	5.7
# Rows / Fins per Inch	3 / 14	3 / 14	3 / 14	4 / 14	4 / 14
Expansion Device (Orifice Diameter in.)	0.059	0.065	0.068	0.072	0.076
Filter Size (ft <sup>2</sup> ) / Drain Size (NPT)	2.7 / ¾	4.2 / ¾	4.2 / ¾	5.1 / ¾	5.1 / ¾
Refrigerant Charge - R-410A (oz)	108	114	110	164	148
<b>EVAPORATOR MOTOR</b>					
Wheel (D x W)	10" x 8"	10" x 9"	10" x 9"	11" x 10"	11" x 10"
Type / # of Speeds	ECM / 5	ECM / 5	ECM / 5	ECM / 5	ECM / 5
Motor Horsepower / FLA	½ / 3.8	½ / 3.8	½ / 3.8	¾ / 5.4	¾ / 5.4
Motor Speed Tap (Cooling and Heat Pump)	T4	T4	T4	T4	T4
Nominal CFM (Cooling and Heat Pump)	850	1,030	1,050	1,370	1,300
<b>CONDENSER COIL</b>					
Face Area (ft <sup>2</sup> )	12.2	12.2	12.2	15.3	15.3
# Rows / Fins per Inch	2 / 16	2 / 16	2 / 16	2 / 16	2 / 16
Expansion Device (Orifice Diameter in.)	0.045	0.047	0.047	0.055	0.060
<b>CONDENSER MOTOR / FAN</b>					
Fan Diameter / # of Blades	21.86" / 3	22.00" / 3	22.00" / 3	22.00" / 3	22.00" / 3
Outdoor Nominal CFM	2,200	2,500	2,500	3,150	3,200
Motor Horsepower - RPM	1/6 - 810	1/4 - 837	1/4 - 837	1/4 - 1075	1/4 - 1075
Motor FLA	0.95	1.3	1.3	1.4	1.4
<b>COMPRESSOR</b>					
Type / Stage	Scroll / Single	Scroll / Single	Scroll / Single	Scroll / Single	Scroll / Single
Run Load Amps / Locked Rotor Amps	12.8 / 58.3	14.1 / 73.0	16.0 / 91.9	17.9 / 112.0	19.9 / 109.0
<b>ELECTRICAL SPECIFICATIONS</b>					
Voltage / Phase (60 Hz)	208-230/1	208-230/1	208-230/1	208-230/1	208-230/1
Minimum Circuit Ampacity	20.8	22.7	25.1	29.2	31.7
Maximum Overcurrent Protection	30	35	40	45	50
Entrance Size Power Supply	1 1/8	1 1/8	1 1/8	1 1/8	1 1/8
Entrance Size Control Voltage	7/8	7/8	7/8	7/8	7/8
<b>OPERATING / SHIPPING WEIGHT (LBS)</b>					
	420 / 440	420 / 440	440 / 460	525 / 545	525 / 545

<sup>1</sup> Wire size should be determined in accordance with National Electrical Codes. Extensive wire runs will require larger wire sizes.

<sup>2</sup> May use fuses or HACR-type circuit breakers of the same size as noted.

Note: Always check the S&R plate for electrical data on the unit being installed.

IDB		OUTDOOR AMBIENT TEMPERATURE																											
		65°F				75°F				85°F				95°F				105°F				115°F							
		59	63	67	71	59	63	67	71	59	63	67	71	59	63	67	71	59	63	67	71	59	63	67	71				
		ENTERING INDOOR WET BULB TEMPERATURE																											
70	AIRFLOW	59	63	67	71	59	63	67	71	59	63	67	71	59	63	67	71	59	63	67	71	59	63	67	71	59	63	67	71
	MBh	24.1	24.4	25.2	-	23.9	24.2	24.9	-	23.2	23.6	24.3	-	22.2	22.5	23.2	-	20.8	21.2	21.9	-	19.6	20.0	20.7	-				
	S/T	0.61	0.53	0.38	-	0.62	0.54	0.39	-	0.64	0.56	0.42	-	0.66	0.58	0.44	-	1.00	0.61	0.46	-	1.00	0.66	0.52	-				
	ΔT	19.96	18.16	14.81	-	19.91	18.12	14.76	-	20.17	18.37	15.01	-	19.90	18.10	14.74	-	19.66	17.86	14.50	-	20.78	18.98	15.63	-				
	kW	1.58	1.57	1.57	-	1.78	1.78	1.77	-	2.01	2.01	2.00	-	2.25	2.25	2.25	-	2.53	2.53	2.52	-	2.85	2.85	2.85	-				
	Amps	6.29	6.29	6.27	-	7.23	7.22	7.20	-	8.27	8.26	8.25	-	9.40	9.39	9.37	-	10.66	10.65	10.63	-	12.14	12.13	12.11	-				
	Hi PR	243	244	246	-	281	282	284	-	322	323	324	-	365	366	368	-	412	413	415	-	462	463	464	-				
	Lo PR	122	124	127	-	130	131	134	-	136	138	141	-	142	143	146	-	147	149	152	-	154	155	159	-				
	MBh	24.5	24.9	25.6	-	24.3	24.7	25.4	-	23.7	24.0	24.7	-	22.6	22.9	23.7	-	21.3	21.6	22.3	-	20.1	20.4	21.1	-				
	S/T	0.71	0.63	0.48	-	0.72	0.64	0.49	-	0.74	0.66	0.52	-	1.00	0.68	0.54	-	1.00	0.71	0.56	-	1.00	0.76	0.62	-				
ΔT	18.36	16.56	13.20	-	18.31	16.51	13.15	-	18.56	16.76	13.40	-	18.29	16.49	13.13	-	18.05	16.25	12.89	-	19.17	17.38	14.02	-					
kW	1.59	1.59	1.59	-	1.79	1.79	1.79	-	2.02	2.02	2.02	-	2.27	2.27	2.26	-	2.54	2.54	2.54	-	2.87	2.87	2.86	-					
Amps	6.37	6.36	6.34	-	7.30	7.29	7.28	-	8.34	8.33	8.32	-	9.47	9.46	9.45	-	10.73	10.72	10.71	-	12.21	12.20	12.18	-					
Hi PR	246	247	249	-	284	285	287	-	325	326	327	-	368	369	371	-	415	416	417	-	465	466	467	-					
Lo PR	125	126	129	-	132	134	137	-	139	140	143	-	144	146	149	-	150	151	154	-	156	158	161	-					
MBh	24.7	25.0	25.8	-	24.5	24.8	25.6	-	23.9	24.2	24.9	-	22.8	23.1	23.8	-	21.4	21.8	22.5	-	20.2	20.6	21.3	-					
S/T	0.73	0.65	0.50	-	0.74	0.66	0.51	-	0.76	0.68	0.54	-	1.00	0.70	0.56	-	1.00	0.73	0.58	-	1.00	0.78	0.64	-					
ΔT	17.91	16.11	12.75	-	17.86	16.06	12.70	-	18.11	16.31	12.96	-	17.84	16.04	12.69	-	17.60	15.80	12.45	-	18.73	16.93	13.57	-					
kW	1.60	1.59	1.59	-	1.80	1.80	1.79	-	2.03	2.03	2.02	-	2.27	2.27	2.27	-	2.55	2.55	2.54	-	2.87	2.87	2.87	-					
Amps	6.39	6.38	6.36	-	7.32	7.31	7.30	-	8.36	8.35	8.34	-	9.49	9.48	9.47	-	10.75	10.74	10.73	-	12.23	12.22	12.20	-					
Hi PR	247	248	250	-	285	286	288	-	326	327	328	-	369	370	372	-	416	417	418	-	466	467	468	-					
Lo PR	126	127	130	-	133	135	138	-	140	141	144	-	145	147	150	-	151	152	155	-	157	159	162	-					

70	MBh	24.1	24.5	25.2	26.3	23.9	24.2	25.0	26.1	23.3	23.6	24.3	25.4	22.2	22.5	23.2	24.3	20.8	21.2	21.9	23.0	19.6	20.0	20.7	21.8
	S/T	0.75	0.67	0.52	0.4	0.75	0.67	0.53	0.4	1.00	0.70	0.56	0.4	1.00	0.72	0.58	0.4	1.00	0.74	0.60	0.4	1.00	1.00	0.66	0.5
	ΔT	23.92	22.12	18.76	15.3	23.87	22.07	18.71	15.2	24.12	22.32	18.96	15.5	23.85	22.05	18.69	15.2	23.61	21.81	18.45	15.0	24.73	22.94	19.58	16.1
	kW	1.57	1.57	1.57	1.6	1.78	1.78	1.77	1.8	2.01	2.00	2.00	2.0	2.25	2.25	2.25	2.3	2.53	2.53	2.52	2.5	2.85	2.85	2.85	2.9
	Amps	6.29	6.28	6.27	6.3	7.22	7.21	7.20	7.3	8.26	8.26	8.24	8.3	9.39	9.38	9.37	9.4	10.65	10.64	10.63	10.7	12.13	12.12	12.11	12.2
	Hi PR	243	244	246	250.1	282	283	284	288.5	322	323	325	328.8	365	366	368	372.2	412	413	415	419.0	462	463	465	468.9
	Lo PR	122	124	127	132.0	130	131	134	139.5	136	138	141	146.0	142	143	146	151.6	147	149	152	157.0	154	155	159	163.8
	MBh	24.5	24.9	25.6	26.7	24.3	24.7	25.4	26.5	23.7	24.0	24.8	25.9	22.6	<b>23.0</b>	23.7	24.8	21.3	21.6	22.3	23.4	20.1	20.4	21.1	22.2
	S/T	0.85	0.77	0.62	0.5	0.85	0.77	0.63	0.5	1.00	0.80	0.66	0.5	1.00	<b>0.82</b>	0.68	0.5	1.00	0.84	0.70	0.5	1.00	1.00	0.75	0.6
	ΔT	22.31	20.51	17.15	13.7	22.26	20.46	17.10	13.6	22.51	20.71	17.36	13.9	22.24	<b>20.44</b>	17.09	13.6	22.00	20.20	16.85	13.4	23.13	21.33	17.97	14.5
kW	1.59	1.59	1.58	1.6	1.79	1.79	1.79	1.8	2.02	2.02	2.02	2.0	2.27	<b>2.27</b>	2.26	2.3	2.54	2.54	2.54	2.6	2.87	2.86	2.86	2.9	
Amps	6.36	6.35	6.34	6.4	7.29	7.29	7.27	7.3	8.34	8.33	8.31	8.4	9.46	<b>9.46</b>	9.44	9.5	10.72	10.72	10.70	10.8	12.20	12.19	12.18	12.2	
Hi PR	246	247	249	253.0	284	286	287	291.5	325	326	328	331.8	368	<b>369</b>	371	375.2	415	416	418	422.0	465	466	468	471.9	
Lo PR	125	126	129	134.5	132	134	137	142.0	139	140	143	148.6	144	<b>146</b>	149	154.1	150	151	154	159.5	156	158	161	166.3	
MBh	24.7	25.1	25.8	26.9	24.5	24.8	25.6	26.7	23.9	24.2	24.9	26.0	22.8	23.1	23.8	25.0	21.5	21.8	22.5	23.6	20.2	20.6	21.3	22.4	
S/T	0.87	0.79	0.64	0.5	0.88	0.79	0.65	0.5	1.00	0.82	0.68	0.5	1.00	0.84	0.70	0.5	1.00	0.86	0.72	0.6	1.00	1.00	0.78	0.6	
ΔT	21.86	20.06	16.71	13.2	21.81	20.02	16.66	13.2	22.07	20.27	16.91	13.4	21.79	20.00	16.64	13.2	21.55	19.76	16.40	12.9	22.68	20.88	17.53	14.0	
kW	1.59	1.59	1.59	1.6	1.80	1.80	1.79	1.8	2.03	2.02	2.02	2.0	2.27	2.27	2.27	2.3	2.55	2.55	2.54	2.6	2.87	2.87	2.87	2.9	
Amps	6.38	6.37	6.36	6.4	7.31	7.31	7.29	7.4	8.36	8.35	8.33	8.4	9.48	9.48	9.46	9.5	10.74	10.74	10.72	10.8	12.22	12.21	12.20	12.3	
Hi PR	247	248	250	254.0	285	286	288	292.4	326	327	328	332.7	369	370	372	376.1	416	417	419	422.9	466	467	469	472.8	
Lo PR	126	127	130	135.5	133	135	138	142.9	140	141	144	149.5	145	147	150	155.0	151	152	155	160.4	157	159	162	167.2	

IDB: Entering Indoor Dry Bulb Temperature  
 High and low pressures are measured at the liquid and suction access fittings.  
 Shaded area reflects ACCA (TVA) conditions  
 kW = Total system power  
 Amps = outdoor unit amps (comp.+fan)

IDB		OUTDOOR AMBIENT TEMPERATURE												ENTERING INDOOR WET BULB TEMPERATURE											
		65°F				75°F				85°F				95°F				105°F				115°F			
		59	63	67	71	59	63	67	71	59	63	67	71	59	63	67	71	59	63	67	71	59	63	67	71
<b>700</b>	MBh	24.2	24.6	25.3	26.4	24.0	24.4	25.1	26.2	23.4	23.7	24.5	25.6	22.3	22.6	23.4	24.5	21.0	21.3	22.0	23.1	19.8	20.1	20.8	21.9
	S/T	1.00	0.80	0.66	0.5	1.00	0.81	0.66	0.5	1.00	0.83	0.69	0.5	1.00	0.85	0.71	0.6	1.00	1.00	0.73	0.6	1.00	1.00	0.79	0.6
	ΔT	27.90	26.10	22.74	19.3	27.85	26.05	22.69	19.2	28.10	26.30	22.94	19.5	27.83	26.03	22.67	19.2	27.59	25.79	22.43	19.0	28.71	26.92	23.56	20.1
	kW	1.58	1.57	1.57	1.6	1.78	1.78	1.77	1.8	2.01	2.01	2.00	2.0	2.25	2.25	2.25	2.3	2.53	2.53	2.52	2.5	2.85	2.85	2.85	2.9
	Amps	6.29	6.29	6.27	6.3	7.23	7.22	7.20	7.3	8.27	8.26	8.25	8.3	9.40	9.39	9.37	9.4	10.66	10.65	10.63	10.7	12.13	12.13	12.11	12.2
	Hi PR	243	245	246	250.5	282	283	285	289.0	322	323	325	329.3	366	367	368	372.7	412	413	415	419.4	462	463	465	469.4
	Lo PR	123	124	127	132.6	130	132	135	140.0	137	138	141	146.6	142	144	147	152.1	148	149	152	157.6	154	156	159	164.4
	MBh	24.7	25.0	25.7	26.8	24.5	24.8	25.5	26.6	23.8	24.2	24.9	26.0	22.7	23.1	23.8	24.9	21.4	21.7	22.5	23.6	20.2	20.5	21.3	22.4
	S/T	1.00	0.90	0.76	0.6	1.00	0.91	0.76	0.6	1.00	0.93	0.79	0.6	1.00	1.00	0.81	0.7	1.00	1.00	0.83	0.7	1.00	1.00	0.89	0.7
	ΔT	26.29	24.49	21.13	17.7	26.24	24.44	21.09	17.6	26.49	24.70	21.34	17.9	26.22	24.42	21.07	17.6	25.98	24.18	20.83	17.3	27.11	25.31	21.95	18.5
kW	1.59	1.59	1.59	1.6	1.79	1.79	1.79	1.8	2.02	2.02	2.02	2.0	2.27	2.27	2.26	2.3	2.54	2.54	2.54	2.6	2.87	2.87	2.86	2.9	
Amps	6.37	6.36	6.34	6.4	7.30	7.29	7.28	7.3	8.34	8.33	8.32	8.4	9.47	9.46	9.44	9.5	10.73	10.72	10.70	10.8	12.21	12.20	12.18	12.3	
Hi PR	246	248	249	253.5	285	286	288	292.0	325	326	328	332.2	369	370	371	375.6	415	416	418	422.4	465	466	468	472.3	
Lo PR	125	127	130	135.1	133	134	137	142.6	139	141	144	149.1	145	146	149	154.6	150	152	155	160.1	157	159	162	166.9	
MBh	24.8	25.2	25.9	27.0	24.6	25.0	25.7	26.8	24.0	24.3	25.1	26.2	22.9	23.2	24.0	25.1	21.6	21.9	22.6	23.7	20.4	20.7	21.4	22.5	
S/T	1.00	0.92	0.78	0.6	1.00	0.93	0.78	0.6	1.00	0.95	0.81	0.7	1.00	1.00	0.83	0.7	1.00	1.00	0.85	0.7	1.00	1.00	0.91	0.8	
ΔT	25.84	24.04	20.69	17.2	25.79	24.00	20.64	17.2	26.05	24.25	20.89	17.4	25.78	23.98	20.62	17.1	25.53	23.74	20.38	16.9	26.66	24.86	21.51	18.0	
kW	1.60	1.59	1.59	1.6	1.80	1.80	1.79	1.8	2.03	2.03	2.02	2.0	2.27	2.27	2.27	2.3	2.55	2.55	2.54	2.6	2.87	2.87	2.87	2.9	
Amps	6.39	6.38	6.36	6.4	7.32	7.31	7.30	7.4	8.36	8.35	8.34	8.4	9.49	9.48	9.46	9.5	10.75	10.74	10.72	10.8	12.23	12.22	12.20	12.3	
Hi PR	247	248	250	254.4	286	287	289	292.9	326	327	329	333.2	370	371	372	376.6	416	417	419	423.4	466	467	469	473.3	
Lo PR	126	128	131	136.0	134	135	138	143.5	140	142	145	150.0	146	147	150	155.6	151	153	156	161.0	158	159	163	167.8	
MBh	24.6	25.0	25.7	26.8	24.4	24.8	25.5	26.6	23.8	24.1	24.9	26.0	22.7	23.1	23.8	24.9	21.4	21.7	22.4	23.5	20.2	20.5	21.2	22.3	
S/T	1.00	0.91	0.76	0.6	1.00	0.92	0.77	0.6	1.00	1.00	0.80	0.6	1.00	1.00	0.82	0.7	1.00	1.00	0.84	0.7	1.00	1.00	1.00	0.7	
ΔT	31.43	29.63	26.27	22.8	31.38	29.58	26.22	22.7	31.63	29.83	26.47	23.0	31.36	29.56	26.20	22.7	31.12	29.32	25.96	22.5	32.24	30.45	27.09	23.6	
kW	1.58	1.58	1.57	1.6	1.78	1.78	1.78	1.8	2.01	2.01	2.01	2.0	2.26	2.26	2.25	2.3	2.53	2.53	2.53	2.5	2.86	2.85	2.85	2.9	
Amps	6.31	6.30	6.29	6.4	7.24	7.24	7.22	7.3	8.29	8.28	8.26	8.3	9.41	9.41	9.39	9.5	10.67	10.67	10.65	10.7	12.15	12.14	12.13	12.2	
Hi PR	245	246	247	251.7	283	284	286	290.1	323	324	326	330.4	367	368	370	373.8	414	415	416	420.6	463	465	466	470.5	
Lo PR	125	126	129	134.4	132	134	137	141.9	139	140	143	148.4	144	146	149	154.0	150	151	154	159.4	156	158	161	166.2	
MBh	25.1	25.4	26.1	27.2	24.9	25.2	25.9	27.0	24.2	24.6	25.3	26.4	23.1	23.5	24.2	25.3	21.8	22.2	22.9	24.0	20.6	20.9	21.7	22.8	
S/T	1.00	1.00	0.86	0.7	1.00	1.00	0.87	0.7	1.00	1.00	0.90	0.7	1.00	1.00	0.92	0.8	1.00	1.00	0.94	0.8	1.00	1.00	1.00	0.8	
ΔT	29.82	28.02	24.66	21.2	29.77	27.97	24.62	21.1	30.02	28.23	24.87	21.4	29.75	27.95	24.60	21.1	29.51	27.71	24.36	20.9	30.64	28.84	25.48	22.0	
kW	1.59	1.59	1.59	1.6	1.80	1.80	1.79	1.8	2.03	2.02	2.02	2.0	2.27	2.27	2.27	2.3	2.55	2.55	2.54	2.6	2.87	2.87	2.87	2.9	
Amps	6.38	6.38	6.36	6.4	7.32	7.31	7.29	7.4	8.36	8.35	8.34	8.4	9.49	9.48	9.46	9.5	10.75	10.74	10.72	10.8	12.22	12.22	12.20	12.3	
Hi PR	248	249	250	254.6	286	287	289	293.1	326	327	329	333.4	370	371	373	376.8	417	418	419	423.6	466	468	469	473.5	
Lo PR	127	129	132	136.9	135	136	139	144.4	141	143	146	150.9	147	148	151	156.5	152	154	157	161.9	159	160	163	168.7	
MBh	25.3	25.6	26.3	27.4	25.0	25.4	26.1	27.2	24.4	24.7	25.5	26.6	23.3	23.7	24.4	25.5	22.0	22.3	23.0	24.2	20.8	21.1	21.8	22.9	
S/T	1.00	1.00	0.88	0.7	1.00	1.00	0.89	0.7	1.00	1.00	0.92	0.8	1.00	1.00	0.94	0.8	1.00	1.00	0.96	0.8	1.00	1.00	1.00	0.9	
ΔT	29.37	27.57	24.22	20.7	29.32	27.53	24.17	20.7	29.58	27.78	24.42	20.9	29.31	27.51	24.15	20.7	29.06	27.27	23.91	20.4	30.19	28.39	25.04	21.6	
kW	1.60	1.60	1.59	1.6	1.80	1.80	1.80	1.8	2.03	2.03	2.03	2.0	2.28	2.28	2.27	2.3	2.55	2.55	2.55	2.6	2.88	2.87	2.87	2.9	
Amps	6.40	6.40	6.38	6.5	7.34	7.33	7.31	7.4	8.38	8.37	8.35	8.4	9.51	9.50	9.48	9.6	10.77	10.76	10.74	10.8	12.24	12.24	12.22	12.3	
Hi PR	249	250	251	255.6	287	288	290	294.0	327	328	330	334.3	371	372	373	377.7	417	419	420	424.5	467	468	470	474.4	
Lo PR	128	129	133	137.8	135	137	140	145.3	142	144	147	151.9	148	149	152	157.4	153	154	158	162.8	160	161	164	169.6	

IDB: Entering Indoor Dry Bulb Temperature  
 High and low pressures are measured at the liquid and suction access fittings.  
 Shaded area reflects AHRI conditions  
 kW = Total system power  
 Amps = outdoor unit amps (comp.+fan)

IDB		OUTDOOR AMBIENT TEMPERATURE																																			
		65°F						75°F						85°F						95°F						105°F						115°F					
		59	63	67	71	59	63	67	71	59	63	67	71	59	63	67	71	59	63	67	71	59	63	67	71	59	63	67	71	59	63	67	71				
70	875	MBh	28.9	29.3	30.2	-	28.6	29.0	29.9	-	27.9	28.3	29.1	-	26.6	27.0	27.8	-	25.0	25.4	26.2	-	23.5	23.9	24.8	-	23.5	23.9	24.8	-	23.5	23.9	24.8	-			
		S/T	0.65	0.56	0.41	-	0.65	0.57	0.42	-	0.68	0.60	0.45	-	1.00	0.62	0.47	-	1.00	0.64	0.49	-	1.00	0.70	0.55	-	1.00	0.70	0.55	-	1.00	0.70	0.55	-			
		ΔT	19.62	17.85	14.53	-	19.58	17.80	14.48	-	19.83	18.05	14.73	-	19.56	17.78	14.46	-	19.32	17.54	14.23	-	20.43	18.66	15.34	-	20.43	18.66	15.34	-	20.43	18.66	15.34	-			
		kW	1.92	1.92	1.91	-	2.15	2.15	2.15	-	2.42	2.41	2.41	-	2.70	2.70	2.69	-	3.02	3.01	3.01	-	3.39	3.38	3.38	-	3.39	3.38	3.38	-	3.39	3.38	3.38	-			
		Amps	7.47	7.46	7.45	-	8.54	8.54	8.52	-	9.74	9.73	9.71	-	11.03	11.03	11.01	-	12.48	12.47	12.45	-	14.18	14.17	14.15	-	14.18	14.17	14.15	-	14.18	14.17	14.15	-			
	Hi PR	254	255	257	-	295	296	297	-	337	338	340	-	382	383	385	-	431	432	434	-	483	484	486	-	483	484	486	-	483	484	486	-				
	Lo PR	124	126	129	-	132	133	137	-	139	140	143	-	144	146	149	-	150	151	154	-	157	158	161	-	157	158	161	-	157	158	161	-				
	MBh	29.4	29.8	30.7	-	29.1	29.5	30.4	-	28.4	28.8	29.6	-	27.1	27.5	28.3	-	25.5	25.9	26.7	-	24.0	24.4	25.3	-	24.0	24.4	25.3	-	24.0	24.4	25.3	-				
	S/T	0.74	0.66	0.51	-	0.75	0.67	0.51	-	0.78	0.69	0.54	-	1.00	0.72	0.56	-	1.00	0.74	0.59	-	1.00	0.80	0.65	-	1.00	0.80	0.65	-	1.00	0.80	0.65	-				
	ΔT	18.14	16.36	13.04	-	18.09	16.31	13.00	-	18.34	16.56	13.25	-	18.07	16.29	12.98	-	17.83	16.06	12.74	-	18.95	17.17	13.85	-	18.95	17.17	13.85	-	18.95	17.17	13.85	-				
kW	1.94	1.94	1.93	-	2.17	2.17	2.17	-	2.43	2.43	2.43	-	2.72	2.71	2.71	-	3.03	3.03	3.03	-	3.40	3.40	3.40	-	3.40	3.40	3.40	-	3.40	3.40	3.40	-					
Amps	7.55	7.54	7.52	-	8.62	8.61	8.59	-	9.82	9.81	9.79	-	11.11	11.10	11.09	-	12.56	12.55	12.53	-	14.25	14.25	14.23	-	14.25	14.25	14.23	-	14.25	14.25	14.23	-					
Hi PR	257	258	260	-	297	299	300	-	340	341	343	-	385	386	388	-	434	435	437	-	486	487	489	-	486	487	489	-	486	487	489	-					
Lo PR	127	128	131	-	134	136	139	-	141	143	146	-	147	148	151	-	152	154	157	-	159	161	164	-	159	161	164	-	159	161	164	-					
MBh	29.6	30.0	30.9	-	29.4	29.8	30.6	-	28.6	29.0	29.9	-	27.3	27.7	28.6	-	25.7	26.1	27.0	-	24.3	24.7	25.5	-	24.3	24.7	25.5	-	24.3	24.7	25.5	-					
S/T	0.77	0.68	0.53	-	0.78	0.69	0.54	-	0.80	0.72	0.57	-	1.00	0.74	0.59	-	1.00	0.77	0.61	-	1.00	0.82	0.67	-	1.00	0.82	0.67	-	1.00	0.82	0.67	-					
ΔT	17.61	15.83	12.51	-	17.56	15.78	12.46	-	17.81	16.03	12.71	-	17.54	15.76	12.45	-	17.30	15.53	12.21	-	18.41	16.64	13.32	-	18.41	16.64	13.32	-	18.41	16.64	13.32	-					
kW	1.94	1.94	1.94	-	2.18	2.18	2.17	-	2.44	2.44	2.43	-	2.72	2.72	2.72	-	3.04	3.04	3.03	-	3.41	3.41	3.40	-	3.41	3.41	3.40	-	3.41	3.41	3.40	-					
Amps	7.58	7.57	7.55	-	8.65	8.64	8.62	-	9.84	9.84	9.82	-	11.14	11.13	11.11	-	12.59	12.58	12.56	-	14.28	14.27	14.26	-	14.28	14.27	14.26	-	14.28	14.27	14.26	-					
Hi PR	258	260	261	-	299	300	302	-	341	342	344	-	386	387	389	-	435	436	438	-	487	489	490	-	487	489	490	-	487	489	490	-					
Lo PR	128	129	133	-	135	137	140	-	142	144	147	-	148	149	152	-	153	155	158	-	160	162	165	-	160	162	165	-	160	162	165	-					

75	875	MBh	28.9	29.3	30.2	31.5	28.6	29.0	29.9	31.2	27.9	28.3	29.2	30.5	26.6	27.0	27.9	29.2	25.0	25.4	26.3	27.6	23.5	23.9	24.8	26.1	23.5	23.9	24.8	26.1				
		S/T	0.79	0.71	0.56	0.4	0.80	0.71	0.56	0.4	1.00	0.74	0.59	0.4	1.00	0.76	0.61	0.5	1.00	0.79	0.64	0.5	1.00	1.00	1.00	0.69	1.00	1.00	1.00	0.79	0.6			
		ΔT	23.53	21.75	18.44	15.0	23.48	21.71	18.39	15.0	23.73	21.96	18.64	15.2	23.46	21.69	18.37	14.9	23.23	21.45	18.13	14.7	24.34	22.56	19.24	15.8	24.34	22.56	19.24	15.8	24.34	22.56	19.24	15.8
		kW	1.92	1.92	1.91	1.9	2.15	2.15	2.15	2.2	2.41	2.41	2.41	2.4	2.70	2.70	2.69	2.7	3.01	3.01	3.01	3.0	3.38	3.38	3.38	3.4	3.38	3.38	3.38	3.4	3.38	3.38	3.4	
		Amps	7.47	7.46	7.44	7.5	8.54	8.53	8.51	8.6	9.73	9.73	9.71	9.8	11.03	11.02	11.00	11.1	12.47	12.47	12.45	12.5	14.17	14.16	14.14	14.2	14.17	14.16	14.14	14.2	14.17	14.16	14.2	
	Hi PR	255	256	257	261.9	295	296	298	302.1	337	338	340	344.3	382	383	385	389.7	431	432	434	438.6	484	485	486	490.9	484	485	486	490.9	484	485	486	490.9	
	Lo PR	124	126	129	134.4	132	133	137	142.0	139	140	143	148.6	144	146	149	154.2	150	151	154	159.8	157	158	161	166.7	157	158	161	166.7	157	158	161	166.7	
	MBh	29.4	29.8	30.7	32.0	29.1	29.5	30.4	31.7	28.4	28.8	29.7	31.0	27.1	27.5	28.3	29.7	25.5	25.9	26.8	28.1	24.0	24.4	25.3	26.6	24.0	24.4	25.3	26.6	24.0	24.4	25.3	26.6	
	S/T	0.89	0.80	0.65	0.5	1.00	0.81	0.66	0.5	1.00	0.84	0.69	0.5	1.00	0.86	0.71	0.5	1.00	0.89	0.73	0.6	1.00	1.00	1.00	0.79	1.00	1.00	1.00	0.79	0.6	1.00	0.79	0.6	
	ΔT	22.04	20.27	16.95	13.5	22.00	20.22	16.90	13.5	22.25	20.47	17.15	13.7	21.98	20.20	16.88	13.4	21.74	19.96	16.65	13.2	22.85	21.08	17.76	14.3	22.85	21.08	17.76	14.3	22.85	21.08	17.76	14.3	
kW	1.94	1.93	1.93	1.9	2.17	2.17	2.16	2.2	2.43	2.43	2.43	2.4	2.71	2.71	2.71	2.7	3.03	3.03	3.02	3.0	3.40	3.40	3.40	3.4	3.40	3.40	3.40	3.4	3.40	3.40	3.4	3.4		
Amps	7.54	7.53	7.52	7.6	8.61	8.61	8.59	8.7	9.81	9.80	9.78	9.9	11.10	11.08	11.08	11.2	12.55	12.54	12.52	12.6	14.25	14.24	14.22	14.3	14.25	14.24	14.22	14.3	14.25	14.24	14.22	14.3		
Hi PR	257	259	260	264.8	298	299	301	305.0	340	341	343	347.2	385	386	388	392.6	434	435	437	441.6	486	488	489	493.8	486	488	489	493.8	486	488	489	493.8		
Lo PR	127	128	131	136.8	134	136	139	144.4	141	143	146	151.0	147	148	151	156.7	152	154	157	162.2	159	161	164	169.1	159	161	164	169.1	159	161	164	169.1		
MBh	29.6	30.1	30.9	32.2	29.4	29.8	30.7	32.0	28.6	29.0	29.9	31.2	27.3	27.7	28.6	29.9	25.7	26.1	27.0	28.3	24.3	24.7	25.6	26.9	24.3	24.7	25.6	26.9	24.3	24.7	25.6	26.9		
S/T	0.91	0.83	0.68	0.5	1.00	0.84	0.68	0.5	1.00	0.86	0.71	0.6	1.00	0.89	0.73	0.6	1.00	0.91	0.76	0.6	1.00	1.00	1.00	0.82	1.00	1.00	1.00	0.82	0.7	1.00	0.82	0.7		
ΔT	21.51	19.74	16.42	13.0	21.46	19.69	16.37	12.9	21.71	19.94	16.62	13.2	21.45	19.67	16.35	12.9	21.21	19.43	16.11	12.7	22.32	20.54	17.23	13.8	22.32	20.54	17.23	13.8	22.32	20.54	17.23	13.8		
kW	1.94	1.94	1.94	2.0	2.18	2.17	2.17	2.2	2.44	2.44	2.43	2.4	2.72	2.72	2.71	2.7	3.04	3.03	3.03	3.0	3.41	3.41	3.40	3.4	3.41	3.41	3.40	3.4	3.41	3.41	3.40	3.4		
Amps	7.57	7.56	7.54	7.6	8.64	8.63	8.62	8.7	9.84	9.83	9.81	9.9	11.13	11.12	11.11	11.2	12.58	12.57	12.55	12.6	14.28	14.27	14.25	14.3	14.28	14.27	14.25	14.3	14.28	14.27	14.25	14.3		
Hi PR	259	260	262	266.0	299	300	302	306.2	341	342	344	348.4	386	388	389	393.8	435	437	438	442.8	488	489	491	495.0	488	489	491	495.0	488	489	491	495.0		
Lo PR	128	129	133	137.9	135	137	140	145.5	142	144	147	152.2	148	149	152	157.8	153	155	158	163.3	160	162	165	170.2	160	162								

IDB	AIRFLOW	OUTDOOR AMBIENT TEMPERATURE												ENTERING INDOOR WET BULB TEMPERATURE													
		65°F				75°F				85°F				95°F				105°F				115°F					
		59	63	67	71	59	63	67	71	59	63	67	71	59	63	67	71	59	63	67	71	59	63	67	71		
80	MBh	29.0	29.5	30.0	30.8	31.6	28.8	29.2	30.1	31.4	28.0	28.4	29.3	30.6	26.7	27.1	28.0	29.3	25.1	25.5	26.4	27.7	23.7	24.1	25.0	26.3	
	S/T	1.00	0.85	0.70	0.5	0.5	1.00	0.85	0.70	0.5	1.00	0.88	0.73	0.6	1.00	1.00	0.75	0.6	1.00	1.00	0.78	0.6	1.00	1.00	0.83	0.7	
	ΔT	27.46	25.69	22.37	18.9	17.4	27.42	25.64	22.32	18.9	17.4	27.67	25.89	22.57	19.1	27.40	25.62	22.30	18.9	27.16	25.38	22.07	18.6	28.27	26.50	23.18	19.7
	kW	1.92	1.92	1.91	1.9	1.9	2.15	2.15	2.15	2.2	2.2	2.42	2.41	2.41	2.4	2.70	2.70	2.69	2.7	3.01	3.01	3.01	3.0	3.39	3.38	3.38	3.4
	Amps	7.47	7.46	7.44	7.5	7.5	8.54	8.53	8.52	8.6	8.6	9.74	9.73	9.71	9.8	11.03	11.03	11.01	11.1	12.48	12.47	12.45	12.5	14.18	14.17	14.15	14.2
	Hi-PR	255	256	258	262.3	262.3	295	296	298	302.6	302.6	337	339	340	344.7	383	384	386	390.1	432	433	435	439.1	484	485	487	491.3
	Lo-PR	125	126	130	134.9	134.9	132	134	137	142.5	142.5	139	141	144	149.2	145	146	149	154.8	150	152	155	160.3	157	159	162	167.2
	MBh	29.5	30.0	30.8	32.1	32.4	29.3	29.7	30.6	31.9	32.1	28.5	28.9	29.8	31.1	27.2	27.6	28.5	29.8	25.6	26.0	26.9	28.2	24.2	24.6	25.5	26.8
	S/T	1.00	0.94	0.79	0.6	0.6	1.00	0.95	0.80	0.6	0.6	1.00	0.98	0.83	0.7	1.00	1.00	0.85	0.7	1.00	1.00	0.87	0.7	1.00	1.00	0.93	0.8
	ΔT	25.98	24.20	20.88	17.4	17.4	25.93	24.15	20.84	17.4	17.4	26.18	24.40	21.09	17.6	25.91	24.13	20.82	17.4	25.67	23.90	20.58	17.1	26.79	25.01	21.69	18.3
kW	1.94	1.94	1.93	1.9	1.9	2.17	2.17	2.17	2.2	2.2	2.43	2.43	2.43	2.4	2.72	2.72	2.71	2.7	3.03	3.03	3.03	3.0	3.40	3.40	3.40	3.4	
Amps	7.55	7.54	7.52	7.6	7.6	8.62	8.61	8.59	8.7	8.7	9.82	9.81	9.79	9.9	11.11	11.10	11.08	11.2	12.56	12.55	12.53	12.6	14.25	14.25	14.23	14.3	
Hi-PR	258	259	261	265.3	265.3	298	299	301	305.5	305.5	340	341	343	347.7	386	387	389	393.1	435	436	438	442.0	487	488	490	494.3	
Lo-PR	127	129	132	137.3	137.3	135	136	140	144.9	144.9	142	143	146	151.6	147	149	152	157.2	153	154	157	162.7	160	161	164	169.7	
MBh	29.8	30.2	31.1	32.4	32.4	29.5	29.9	30.8	32.1	32.1	28.8	29.2	30.1	31.4	27.5	27.9	28.8	30.1	25.9	26.3	27.2	28.5	24.4	24.8	25.7	27.0	
S/T	1.00	0.97	0.82	0.7	0.7	1.00	0.98	0.82	0.7	0.7	1.00	1.00	0.85	0.7	1.00	1.00	0.87	0.7	1.00	1.00	0.90	0.7	1.00	1.00	0.96	0.8	
ΔT	25.45	23.67	20.35	16.9	16.9	25.40	23.62	20.30	16.9	16.9	25.65	23.87	20.55	17.1	25.38	23.60	20.28	16.8	25.14	23.36	20.05	16.6	26.25	24.48	21.16	17.7	
kW	1.94	1.94	1.94	2.0	2.0	2.18	2.18	2.17	2.2	2.2	2.44	2.44	2.43	2.5	2.72	2.72	2.72	2.7	3.04	3.04	3.03	3.0	3.41	3.41	3.40	3.4	
Amps	7.58	7.57	7.55	7.6	7.6	8.65	8.64	8.62	8.7	8.7	9.84	9.84	9.82	9.9	11.14	11.13	11.11	11.2	12.58	12.58	12.56	12.6	14.28	14.27	14.25	14.3	
Hi-PR	259	260	262	266.5	266.5	299	300	302	306.7	306.7	342	343	344	348.9	387	388	390	394.3	436	437	439	443.2	488	489	491	495.5	
Lo-PR	128	130	133	138.5	138.5	136	138	141	146.1	146.1	143	144	147	152.7	148	150	153	158.4	154	155	159	163.9	161	162	165	170.8	

85	MBh	29.5	29.9	30.8	32.1	32.1	29.3	29.7	30.6	31.9	28.5	28.9	29.8	31.1	27.2	27.6	28.5	29.8	25.6	26.0	26.9	28.2	24.2	24.6	25.4	26.8	
	S/T	1.00	0.96	0.81	0.6	0.6	1.00	1.00	0.82	0.7	0.7	1.00	1.00	0.84	0.7	1.00	1.00	0.87	0.7	1.00	1.00	0.89	0.7	1.00	1.00	0.9	
	ΔT	30.95	29.18	25.86	22.4	22.4	30.90	29.13	25.81	22.4	22.4	31.15	29.38	26.06	22.6	30.89	29.11	25.79	22.4	30.65	28.87	25.55	22.1	31.76	29.98	26.67	23.2
	kW	1.92	1.92	1.92	1.9	1.9	2.16	2.16	2.15	2.2	2.2	2.42	2.42	2.41	2.4	2.70	2.70	2.70	2.7	3.02	3.02	3.01	3.0	3.39	3.39	3.38	3.4
	Amps	7.49	7.48	7.47	7.5	7.5	8.56	8.56	8.54	8.6	8.6	9.76	9.75	9.73	9.8	11.05	11.05	11.03	11.1	12.50	12.49	12.47	12.6	14.20	14.19	14.17	14.3
	Hi-PR	256	257	259	263.5	263.5	296	298	299	303.8	303.8	339	340	341	345.9	384	385	387	391.3	433	434	436	440.3	485	486	488	492.5
	Lo-PR	127	128	131	136.8	136.8	134	136	139	144.4	144.4	141	143	146	151.0	147	148	151	156.7	152	154	157	162.2	159	161	164	169.1
	MBh	30.0	30.4	31.3	32.6	32.6	29.8	30.2	31.0	32.4	32.4	29.0	29.4	30.3	31.6	27.7	28.1	29.0	30.3	26.1	26.5	27.4	28.7	24.7	25.1	25.9	27.3
	S/T	1.00	1.00	0.91	0.7	0.7	1.00	1.00	0.91	0.8	0.8	1.00	1.00	0.94	0.8	1.00	1.00	0.96	0.8	1.00	1.00	1.00	0.8	1.00	1.00	1.00	0.9
	ΔT	29.47	27.69	24.37	20.9	20.9	29.42	27.64	24.32	20.9	20.9	29.67	27.89	24.57	21.1	29.40	27.62	24.31	20.9	29.16	27.39	24.07	20.6	30.27	28.50	25.18	21.7
kW	1.94	1.94	1.94	2.0	2.0	2.18	2.17	2.17	2.2	2.2	2.44	2.44	2.43	2.4	2.72	2.72	2.71	2.7	3.04	3.03	3.03	3.0	3.41	3.41	3.40	3.4	
Amps	7.57	7.56	7.54	7.6	7.6	8.64	8.63	8.61	8.7	8.7	9.84	9.83	9.81	9.9	11.13	11.12	11.10	11.2	12.58	12.57	12.55	12.6	14.27	14.27	14.25	14.3	
Hi-PR	259	260	262	266.5	266.5	299	300	302	306.7	306.7	342	343	344	348.9	387	388	390	394.3	436	437	439	443.2	488	489	491	495.5	
Lo-PR	129	131	134	139.2	139.2	137	138	141	146.8	146.8	143	145	148	153.5	149	151	154	159.1	155	156	159	164.6	161	163	166	171.5	
MBh	30.3	30.7	31.6	32.9	32.9	30.0	30.4	31.3	32.6	32.6	29.3	29.7	30.5	31.9	28.0	28.4	29.2	30.6	26.4	26.8	27.6	29.0	24.9	25.3	26.2	27.5	
S/T	1.00	1.00	0.93	0.8	0.8	1.00	1.00	0.94	0.8	0.8	1.00	1.00	0.97	0.8	1.00	1.00	0.99	0.8	1.00	1.00	1.00	0.9	1.00	1.00	1.00	0.9	
ΔT	28.93	27.16	23.84	20.4	20.4	28.89	27.11	23.79	20.4	20.4	29.14	27.36	24.04	20.6	28.87	27.09	23.77	20.3	28.63	26.85	23.54	20.1	29.74	27.97	24.65	21.2	
kW	1.95	1.95	1.94	2.0	2.0	2.18	2.18	2.18	2.2	2.2	2.44	2.44	2.44	2.5	2.73	2.72	2.72	2.7	3.04	3.04	3.04	3.0	3.41	3.41	3.41	3.4	
Amps	7.60	7.59	7.57	7.7	7.7	8.67	8.66	8.64	8.7	8.7	9.86	9.86	9.84	9.9	11.16	11.15	11.13	11.2	12.60	12.60	12.58	12.7	14.30	14.29	14.27	14.4	
Hi-PR	260	261	263	267.7	267.7	301	302	303	307.9	307.9	343	344	346	350.1	388	389	391	395.5	437	438	440	444.4	489	490	492	496.7	
Lo-PR	130	132	135	140.3	140.3	138	139	143	147.9	147.9	145	146	149	154.6	150	152	155	160.2	156	157	160	165.8	163	164	167	172.7	

IDB: Entering Indoor Dry Bulb Temperature  
 High and low pressures are measured at the liquid and suction access fittings.  
 Shaded area reflects AHRI conditions  
 kW = Total system power  
 Amps = outdoor unit amps (comp.+fan)

IDB		OUTDOOR AMBIENT TEMPERATURE																																								
		85°F												95°F						105°F						115°F																
		65°F						75°F						85°F						ENTERING INDOOR WET BULB TEMPERATURE						95°F						105°F						115°F				
59	63	67	71	71	59	63	67	71	59	63	67	71	59	63	67	71	59	63	67	71	59	63	67	71	59	63	67	71	59	63	67	71	59	63	67	71						
<b>70</b>	1050	MBh	34.8	35.3	36.3	-	34.5	35.0	36.0	-	33.6	34.1	35.1	-	32.0	32.5	33.5	-	30.1	30.6	31.6	-	28.4	28.8	29.9	-	30.1	30.6	31.6	-	28.4	28.8	29.9	-	30.1	30.6	31.6	-	28.4	28.8	29.9	-
		S/T	0.64	0.56	0.41	-	0.64	0.56	0.42	-	0.67	0.59	0.45	-	0.69	0.61	0.47	-	1.00	0.77	0.63	0.5	1.00	0.69	0.54	-	1.00	0.77	0.63	0.5	1.00	0.69	0.54	-	1.00	0.77	0.63	0.5	1.00	0.69	0.54	-
	ΔT	19.26	17.47	14.15	-	19.21	17.43	14.10	-	19.46	17.68	14.35	-	19.19	17.41	14.08	-	18.95	17.17	13.84	-	20.07	18.28	14.96	-	18.95	17.17	13.84	-	20.07	18.28	14.96	-	18.95	17.17	13.84	-	20.07	18.28	14.96	-	
	KW	2.31	2.30	2.30	-	2.59	2.59	2.58	-	2.90	2.90	2.90	-	3.24	3.24	3.24	-	3.63	3.62	3.62	-	4.07	4.07	4.07	-	3.63	3.62	3.62	-	4.07	4.07	4.07	-	3.63	3.62	3.62	-	4.07	4.07	4.07	-	
	Amps	9.59	9.58	9.56	-	10.89	10.88	10.86	-	12.33	12.32	12.30	-	13.89	13.88	13.86	-	15.64	15.63	15.61	-	17.69	17.68	17.66	-	15.64	15.63	15.61	-	17.69	17.68	17.66	-	15.64	15.63	15.61	-	17.69	17.68	17.66	-	
	Hi PR	269	270	272	-	312	313	315	-	356	357	359	-	404	405	407	-	456	457	459	-	511	512	514	-	456	457	459	-	511	512	514	-	456	457	459	-	511	512	514	-	
	Lo PR	122	124	127	-	129	131	134	-	136	137	141	-	141	143	146	-	147	148	152	-	154	155	158	-	147	148	152	-	154	155	158	-	147	148	152	-	154	155	158	-	
	MBh	35.3	35.7	36.8	-	34.9	35.4	36.5	-	34.0	34.5	35.6	-	32.5	33.0	34.0	-	30.6	31.0	32.1	-	28.8	29.3	30.3	-	30.6	31.0	32.1	-	28.8	29.3	30.3	-	30.6	31.0	32.1	-	28.8	29.3	30.3	-	
	S/T	0.70	0.62	0.48	-	0.71	0.63	0.48	-	0.73	0.65	0.51	-	1.00	0.67	0.53	-	1.00	0.70	0.55	-	1.00	0.75	0.61	-	1.00	0.70	0.55	-	1.00	0.75	0.61	-	1.00	0.70	0.55	-	1.00	0.75	0.61	-	
	ΔT	18.18	16.40	13.07	-	18.13	16.35	13.03	-	18.38	16.60	13.28	-	18.11	16.33	13.01	-	17.87	16.09	12.77	-	18.99	17.21	13.88	-	17.87	16.09	12.77	-	18.99	17.21	13.88	-	17.87	16.09	12.77	-	18.99	17.21	13.88	-	
KW	2.32	2.32	2.31	-	2.60	2.60	2.60	-	2.92	2.92	2.91	-	3.26	3.26	3.25	-	3.64	3.64	3.63	-	4.09	4.09	4.08	-	3.64	3.64	3.63	-	4.09	4.09	4.08	-	3.64	3.64	3.63	-	4.09	4.09	4.08	-		
Amps	9.66	9.65	9.63	-	10.96	10.95	10.92	-	12.40	12.39	12.37	-	13.96	13.95	13.93	-	15.71	15.70	15.67	-	17.76	17.74	17.72	-	15.71	15.70	15.67	-	17.76	17.74	17.72	-	15.71	15.70	15.67	-	17.76	17.74	17.72	-		
Hi PR	271	273	274	-	314	315	317	-	358	360	361	-	406	407	409	-	458	459	461	-	513	514	516	-	458	459	461	-	513	514	516	-	458	459	461	-	513	514	516	-		
Lo PR	124	125	128	-	131	133	136	-	138	139	142	-	143	145	148	-	149	150	153	-	155	157	160	-	149	150	153	-	155	157	160	-	149	150	153	-	155	157	160	-		
MBh	35.8	36.3	37.3	-	35.5	36.0	37.0	-	34.6	35.1	36.1	-	33.0	33.5	34.5	-	31.1	31.6	32.6	-	29.4	29.9	30.9	-	31.1	31.6	32.6	-	29.4	29.9	30.9	-	31.1	31.6	32.6	-	29.4	29.9	30.9	-		
S/T	0.73	0.65	0.51	-	0.74	0.66	0.52	-	0.77	0.69	0.54	-	1.00	0.71	0.57	-	1.00	0.73	0.59	-	1.00	0.78	0.64	-	1.00	0.73	0.59	-	1.00	0.78	0.64	-	1.00	0.73	0.59	-	1.00	0.78	0.64	-		
ΔT	17.27	15.49	12.17	-	17.23	15.44	12.12	-	17.48	15.69	12.37	-	17.21	15.43	12.10	-	16.97	15.19	11.86	-	18.08	16.30	12.98	-	16.97	15.19	11.86	-	18.08	16.30	12.98	-	16.97	15.19	11.86	-	18.08	16.30	12.98	-		
KW	2.33	2.33	2.33	-	2.61	2.61	2.61	-	2.93	2.93	2.92	-	3.27	3.27	3.26	-	3.65	3.65	3.65	-	4.10	4.10	4.09	-	3.65	3.65	3.65	-	4.10	4.10	4.09	-	3.65	3.65	3.65	-	4.10	4.10	4.09	-		
Amps	9.72	9.71	9.69	-	11.01	11.00	10.98	-	12.46	12.45	12.42	-	14.02	14.01	13.99	-	15.76	15.75	15.73	-	17.81	17.80	17.78	-	15.76	15.75	15.73	-	17.81	17.80	17.78	-	15.76	15.75	15.73	-	17.81	17.80	17.78	-		
Hi PR	274	275	277	-	316	317	319	-	361	362	364	-	409	410	412	-	460	461	463	-	515	516	518	-	460	461	463	-	515	516	518	-	460	461	463	-	515	516	518	-		
Lo PR	126	127	130	-	133	135	138	-	140	141	144	-	145	147	150	-	151	152	155	-	157	159	162	-	151	152	155	-	157	159	162	-	151	152	155	-	157	159	162	-		

<b>75</b>	1050	MBh	34.8	35.3	36.3	37.9	34.5	35.0	36.0	37.6	33.6	34.1	35.1	36.7	32.0	32.5	33.6	35.2	30.1	30.6	31.7	33.2	28.4	28.9	29.9	31.5	30.1	30.6	31.7	33.2	28.4	28.9	29.9	31.5	30.1	30.6	31.7	33.2	28.4	28.9	29.9	31.5
		S/T	0.77	0.69	0.55	0.4	0.78	0.70	0.56	0.4	0.78	0.70	0.56	0.4	0.78	0.70	0.56	0.4	0.78	0.70	0.56	0.4	0.78	0.70	0.56	0.4	0.78	0.70	0.56	0.4	0.78	0.70	0.56	0.4	0.78	0.70	0.56	0.4	0.78	0.70	0.56	0.4
	ΔT	23.17	21.39	18.07	14.6	23.12	21.34	18.02	14.6	23.37	21.59	18.27	14.8	23.10	21.32	18.00	14.6	22.87	21.09	17.76	14.3	23.98	22.20	18.88	15.4	22.87	21.09	17.76	14.3	23.98	22.20	18.88	15.4	22.87	21.09	17.76	14.3	23.98	22.20	18.88	15.4	
	KW	2.30	2.30	2.30	2.3	2.59	2.58	2.58	2.6	2.90	2.90	2.89	2.9	3.24	3.24	3.24	3.3	3.62	3.62	3.62	3.6	4.07	4.07	4.06	4.1	3.62	3.62	3.62	3.6	4.07	4.07	4.06	4.1	3.62	3.62	3.62	3.6	4.07	4.07	4.06	4.1	
	Amps	9.59	9.58	9.55	9.7	10.88	10.87	10.85	10.9	12.32	12.31	12.29	12.4	13.89	13.88	13.85	14.0	15.63	15.62	15.60	15.7	17.68	17.67	17.65	17.7	15.63	15.62	15.60	15.7	17.68	17.67	17.65	17.7	15.63	15.62	15.60	15.7	17.68	17.67	17.65	17.7	
	Hi PR	269	271	272	277.1	312	313	315	319.6	356	358	359	364.1	404	405	407	412.0	456	457	459	463.6	511	512	514	518.8	456	457	459	463.6	511	512	514	518.8	456	457	459	463.6	511	512	514	518.8	
	Lo PR	122	124	127	131.9	130	131	134	139.3	136	138	141	145.8	142	143	146	151.3	147	148	152	156.7	154	155	158	163.5	147	148	152	156.7	154	155	158	163.5	147	148	152	156.7	154	155	158	163.5	
	MBh	35.3	35.8	36.8	38.4	35.0	35.5	36.5	38.1	34.1	34.5	35.6	37.2	32.5	33.0	34.0	35.6	30.6	31.1	32.1	33.7	28.8	29.3	30.4	32.0	30.6	31.1	32.1	33.7	28.8	29.3	30.4	32.0	30.6	31.1	32.1	33.7	28.8	29.3	30.4	32.0	
	S/T	0.83	0.75	0.61	0.5	0.84	0.76	0.62	0.5	1.00	0.79	0.64	0.5	1.00	0.81	0.67	0.5	1.00	0.83	0.69	0.5	1.00	1.00	0.74	0.6	1.00	0.83	0.69	0.5	1.00	1.00	0.74	0.6	1.00	0.83	0.69	0.5	1.00	1.00	0.74	0.6	
	ΔT	22.09	20.31	16.99	13.5	22.05	20.27	16.94	13.5	22.30	20.52	17.19	13.7	22.03	20.25	16.92	13.5	21.79	20.01	16.68	13.2	22.90	21.12	17.80	14.4	21.79	20.01	16.68	13.2	22.90	21.12	17.80	14.4	21.79	20.01	16.68	13.2	22.90	21.12	17.80	14.4	
KW	2.32	2.32	2.31	2.3	2.60	2.60	2.59	2.6	2.92	2.91	2.91	2.9	3.26	3.26	3.25	3.3	3.64	3.64	3.63	3.7	4.09	4.08	4.08	4.1	3.64	3.64	3.63	3.7	4.09	4.08	4.08	4.1	3.64	3.64	3.63	3.7	4.09	4.08	4.08	4.1		
Amps	9.65	9.64	9.62	9.7	10.95	10.94	10.91	11.0	12.39	12.38	12.36	12.5	13.95	13.94	13.92	14.0	15.70	15.69	15.67	15.8	17.75	17.74	17.71	17.8	15.70	15.69	15.67	15.8	17.75	17.74	17.71	17.8	15.70	15.69	15.67	15.8	17.75	17.74	17.71	17.8		
Hi PR	272	273	275	279.4	314	315	317	321.9	359	360																																



IDB	AIRFLOW	OUTDOOR AMBIENT TEMPERATURE												105°F												115°F																		
		65°F						75°F						85°F						95°F						105°F						115°F												
		59	63	67	71	75	79	59	63	67	71	75	79	59	63	67	71	75	79	59	63	67	71	75	79	59	63	67	71	75	79	59	63	67	71	75	79							
80	MBh	35.0	35.5	36.5	38.1	34.7	35.2	36.2	37.8	33.8	34.3	35.3	36.9	32.2	32.7	33.7	35.3	30.3	30.8	31.8	33.4	28.6	29.0	30.1	31.7	30.3	30.8	31.8	33.4	28.6	29.0	30.1	31.7	30.3	30.8	31.8	33.4	28.6	29.0	30.1	31.7			
	S/T	1.00	0.82	0.68	0.5	1.00	0.83	0.69	0.5	1.00	0.86	0.71	0.6	1.00	0.88	0.73	0.6	1.00	1.00	1.00	0.82	0.7	1.00	1.00	0.81	0.7	1.00	1.00	1.00	0.82	0.7	1.00	1.00	0.81	0.7	1.00	1.00	1.00	0.82	0.7	1.00	1.00	0.81	0.7
	ΔT	27.11	25.33	22.01	18.6	27.06	25.28	21.96	18.5	27.31	25.53	22.21	18.8	27.05	25.27	21.94	18.5	26.81	25.03	21.70	18.3	27.92	26.14	22.82	19.4	26.81	25.03	21.70	18.3	27.92	26.14	22.82	19.4	26.81	25.03	21.70	18.3	27.92	26.14	22.82	19.4			
	kW	2.30	2.30	2.30	2.3	2.59	2.59	2.58	2.6	2.90	2.90	2.90	2.9	3.24	3.24	3.24	3.3	3.63	3.62	3.62	3.6	4.07	4.07	4.07	4.1	3.63	3.62	3.62	3.6	4.07	4.07	4.07	4.1	3.63	3.62	3.62	3.6	4.07	4.07	4.07	4.1			
	Amps	9.59	9.58	9.56	9.7	10.89	10.88	10.85	11.0	12.33	12.32	12.30	12.4	13.89	13.88	13.86	14.0	15.64	15.63	15.61	15.7	17.69	17.68	17.65	17.8	15.64	15.63	15.61	15.7	17.69	17.68	17.65	17.8	15.64	15.63	15.61	15.7	17.69	17.68	17.65	17.8			
	Hi PR	270	271	273	277.6	312	314	315	320.1	357	358	360	364.6	405	406	408	412.5	456	458	459	464.1	512	513	515	519.3	456	458	459	464.1	512	513	515	519.3	456	458	459	464.1	512	513	515	519.3			
	Lo PR	123	124	127	132.4	130	132	135	139.9	137	138	141	146.4	142	144	147	151.8	147	149	152	157.3	154	156	159	164.0	147	149	152	157.3	154	156	159	164.0	147	149	152	157.3	154	156	159	164.0			
	MBh	35.5	35.9	37.0	38.6	35.1	35.6	36.7	38.3	34.2	34.7	35.8	37.4	32.7	33.2	34.2	35.8	30.8	31.2	32.3	33.9	29.0	29.5	30.5	32.1	30.8	31.2	32.3	33.9	29.0	29.5	30.5	32.1	30.8	31.2	32.3	33.9	29.0	29.5	30.5	32.1			
	S/T	1.00	0.89	0.74	0.6	1.00	0.89	0.75	0.6	1.00	0.92	0.78	0.6	1.00	1.00	0.80	0.6	1.00	1.00	0.82	0.7	1.00	1.00	0.87	0.7	1.00	1.00	0.82	0.7	1.00	1.00	0.87	0.7	1.00	1.00	0.82	0.7	1.00	1.00	0.87	0.7			
	ΔT	26.04	24.26	20.93	17.5	25.99	24.21	20.88	17.4	26.24	24.46	21.13	17.7	25.97	24.19	20.86	17.4	25.73	23.95	20.63	17.2	26.85	25.07	21.74	18.3	25.73	23.95	20.63	17.2	26.85	25.07	21.74	18.3	25.73	23.95	20.63	17.2	26.85	25.07	21.74	18.3			
kW	2.32	2.32	2.31	2.3	2.60	2.60	2.60	2.6	2.92	2.92	2.91	2.9	3.26	3.26	3.26	3.3	3.64	3.64	3.63	3.7	4.09	4.09	4.08	4.1	3.64	3.64	3.63	3.7	4.09	4.09	4.08	4.1	3.64	3.64	3.63	3.7	4.09	4.09	4.08	4.1				
Amps	9.66	9.65	9.63	9.7	10.95	10.94	10.92	11.0	12.40	12.39	12.37	12.5	13.96	13.95	13.93	14.0	15.71	15.70	15.67	15.8	17.75	17.74	17.72	17.8	15.71	15.70	15.67	15.8	17.75	17.74	17.72	17.8	15.71	15.70	15.67	15.8	17.75	17.74	17.72	17.8				
Hi PR	272	273	275	279.9	315	316	318	322.4	359	360	362	366.9	407	408	410	414.8	459	460	462	466.4	514	515	517	521.6	459	460	462	466.4	514	515	517	521.6	459	460	462	466.4	514	515	517	521.6				
Lo PR	124	126	129	134.2	132	133	136	141.7	138	140	143	148.2	144	145	148	153.7	149	151	154	159.1	156	158	161	165.8	149	151	154	159.1	156	158	161	165.8	149	151	154	159.1	156	158	161	165.8				
MBh	36.0	36.5	37.5	39.1	35.7	36.2	37.2	38.8	34.8	35.3	36.3	37.9	33.2	33.7	34.7	36.3	31.3	31.8	32.8	34.4	29.6	30.1	31.1	32.7	31.3	31.8	32.8	34.4	29.6	30.1	31.1	32.7	31.3	31.8	32.8	34.4	29.6	30.1	31.1	32.7				
S/T	1.00	0.92	0.78	0.6	1.00	0.93	0.79	0.6	1.00	0.95	0.81	0.7	1.00	1.00	0.83	0.7	1.00	1.00	0.86	0.7	1.00	1.00	0.91	0.8	1.00	1.00	0.86	0.7	1.00	1.00	0.91	0.8	1.00	1.00	0.86	0.7	1.00	1.00	0.91	0.8				
ΔT	25.13	23.35	20.03	16.6	25.08	23.30	19.98	16.5	25.33	23.55	20.23	16.8	25.06	23.28	19.96	16.5	24.83	23.05	19.72	16.3	25.94	24.16	20.84	17.4	24.83	23.05	19.72	16.3	25.94	24.16	20.84	17.4	24.83	23.05	19.72	16.3	25.94	24.16	20.84	17.4				
kW	2.33	2.33	2.32	2.3	2.61	2.61	2.61	2.6	2.93	2.93	2.92	2.9	3.27	3.27	3.26	3.3	3.65	3.65	3.65	3.7	4.10	4.10	4.09	4.1	3.65	3.65	3.65	3.7	4.10	4.10	4.09	4.1	3.65	3.65	3.65	3.7	4.10	4.10	4.09	4.1				
Amps	9.72	9.71	9.68	9.8	11.01	11.00	10.98	11.1	12.45	12.44	12.42	12.5	14.02	14.01	13.98	14.1	15.76	15.75	15.73	15.8	17.81	17.80	17.78	17.9	15.76	15.75	15.73	15.8	17.81	17.80	17.78	17.9	15.76	15.75	15.73	15.8	17.81	17.80	17.78	17.9				
Hi PR	274	276	277	282.1	317	318	320	324.6	361	363	364	369.1	409	410	412	417.0	461	462	464	468.7	516	517	519	523.8	461	462	464	468.7	516	517	519	523.8	461	462	464	468.7	516	517	519	523.8				
Lo PR	126	128	131	136.2	134	135	138	143.7	140	142	145	150.2	146	147	150	155.7	151	153	156	161.1	158	160	163	167.8	151	153	156	161.1	158	160	163	167.8	151	153	156	161.1	158	160	163	167.8				

85	MBh	35.6	36.1	37.1	38.7	35.3	35.8	36.8	38.4	34.4	34.9	35.9	37.5	32.8	33.3	34.3	35.9	30.9	31.4	32.4	34.0	29.1	29.6	30.7	32.3	30.9	31.4	32.4	34.0	29.1	29.6	30.7	32.3	30.9	31.4	32.4	34.0	29.1	29.6	30.7	32.3
	S/T	1.00	0.93	0.79	0.6	1.00	0.94	0.79	0.6	1.00	1.00	0.82	0.7	1.00	1.00	0.84	0.7	1.00	1.00	0.86	0.7	1.00	1.00	0.91	0.8	1.00	1.00	0.86	0.7	1.00	1.00	0.91	0.8	1.00	1.00	0.86	0.7	1.00	1.00	0.91	0.8
	ΔT	30.61	28.83	25.50	22.1	30.56	28.78	25.45	22.0	30.81	29.03	25.70	22.3	30.54	28.76	25.44	22.0	30.30	28.52	25.20	21.8	31.42	29.64	26.31	22.9	30.30	28.52	25.20	21.8	31.42	29.64	26.31	22.9	30.30	28.52	25.20	21.8	31.42	29.64	26.31	22.9
	kW	2.31	2.31	2.30	2.3	2.59	2.59	2.59	2.6	2.91	2.91	2.90	2.9	3.25	3.25	3.24	3.3	3.63	3.63	3.62	3.6	4.08	4.08	4.07	4.1	3.63	3.63	3.62	3.6	4.08	4.08	4.07	4.1	3.63	3.63	3.62	3.6	4.08	4.08	4.07	4.1
	Amps	9.62	9.61	9.59	9.7	10.91	10.90	10.88	11.0	12.36	12.35	12.32	12.4	13.92	13.91	13.89	14.0	15.66	15.65	15.63	15.7	17.71	17.70	17.68	17.8	15.66	15.65	15.63	15.7	17.71	17.70	17.68	17.8	15.66	15.65	15.63	15.7	17.71	17.70	17.68	17.8
	Hi PR	271	272	274	278.9	314	315	317	321.4	358	359	361	365.8	406	407	409	413.8	458	459	461	465.4	513	514	516	520.5	458	459	461	465.4	513	514	516	520.5	458	459	461	465.4	513	514	516	520.5
	Lo PR	124	126	129	134.3	132	133	137	141.7	138	140	143	148.2	144	145	149	153.7	149	151	154	159.1	156	158	161	165.9	149	151	154	159.1	156	158	161	165.9	149	151	154	159.1	156	158	161	165.9
	MBh	36.0	36.5	37.6	39.2	35.7	36.2	37.3	38.8	34.8	35.3	36.3	37.9	33.3	33.7	34.8	36.4	31.3	31.8	32.9	34.5	29.6	30.1	31.1	32.7	31.3	31.8	32.9	34.5	29.6	30.1	31.1	32.7	31.3	31.8	32.9	34.5	29.6	30.1	31.1	32.7
	S/T	1.00	0.99	0.85	0.7	1.00	1.00	0.86	0.7	1.00	1.00	0.88	0.7	1.00	1.00	0.90	0.8	1.00	1.00	0.93	0.8	1.00	1.00	1.00	0.8	1.00	1.00	0.93	0.8	1.00	1.00	1.00	0.8	1.00	1.00	0.93	0.8	1.00	1.00	1.00	0.8
	ΔT	29.53	27.75	24.43	21.0	29.48	27.70	24.38	20.9	29.73	27.95	24.63	21.2	29.47	27.69	24.36	20.9	29.23	27.45	24.12	20.7	30.34	28.56	25.24	21.8	29.23	27.45	24.12	20.7	30.34	28.56	25.24	21.8	29.23	27.45	24.12	20.7	30.34	28.56	25.24	21.8
kW	2.32	2.32	2.32	2.3	2.61																																				

IDB	AIRFLOW	OUTDOOR AMBIENT TEMPERATURE																																			
		65°F						75°F						85°F						95°F						105°F						115°F					
		59	63	67	71	59	63	67	71	59	63	67	71	59	63	67	71	59	63	67	71	59	63	67	71	59	63	67	71								
70	1300	MBh	41.7	42.3	43.6	-	41.4	42.0	43.2	-	40.3	40.9	42.1	-	38.4	39.0	40.3	-	36.2	36.8	38.0	-	34.1	34.7	35.9	-											
		S/T	0.70	0.62	0.48	-	1.00	0.63	0.48	-	1.00	0.65	0.51	-	1.00	0.67	0.53	-	1.00	1.00	0.55	-	1.00	1.00	0.61	-											
		ΔT	19.64	17.72	14.13	-	19.59	17.67	14.07	-	19.86	17.94	14.34	-	19.57	17.65	14.05	-	19.31	17.39	13.80	-	20.52	18.59	15.00	-											
		kW	2.76	2.76	2.75	-	3.09	3.09	3.08	-	3.46	3.46	3.45	-	3.86	3.86	3.85	-	4.31	4.30	4.30	-	4.83	4.83	4.82	-											
		Amps	11.42	11.41	11.38	-	12.93	12.92	12.89	-	14.62	14.61	14.58	-	16.44	16.43	16.41	-	18.49	18.47	18.45	-	20.88	20.87	20.84	-											
	Hi PR	254	255	257	-	294	295	297	-	335	336	338	-	380	381	383	-	428	430	431	-	480	481	483	-												
	Lo PR	138	140	143	-	146	148	151	-	153	155	159	-	159	161	165	-	165	167	171	-	173	175	178	-												
	1400	MBh	42.1	42.7	43.9	-	41.8	42.3	43.6	-	40.7	41.3	42.5	-	38.8	39.4	40.6	-	36.6	37.2	38.4	-	34.5	35.1	36.3	-											
		S/T	0.72	0.64	0.50	-	1.00	0.65	0.51	-	1.00	0.68	0.53	-	1.00	0.70	0.55	-	1.00	1.00	0.58	-	1.00	1.00	0.63	-											
		ΔT	19.02	17.10	13.51	-	18.97	17.05	13.45	-	19.24	17.32	13.72	-	18.95	17.03	13.43	-	18.69	16.77	13.18	-	19.90	17.97	14.38	-											
kW		2.77	2.77	2.76	-	3.10	3.10	3.09	-	3.47	3.47	3.46	-	3.87	3.87	3.86	-	4.31	4.31	4.31	-	4.84	4.83	4.83	-												
Amps		11.46	11.45	11.42	-	12.97	12.96	12.93	-	14.66	14.65	14.62	-	16.49	16.47	16.45	-	18.53	18.52	18.49	-	20.92	20.91	20.88	-												
Hi PR	255	256	258	-	295	296	298	-	337	338	339	-	381	383	384	-	430	431	433	-	481	482	484	-													
Lo PR	139	141	144	-	147	149	153	-	155	156	160	-	161	162	166	-	167	168	172	-	174	176	179	-													
1575	MBh	42.9	43.5	44.7	-	42.6	43.1	44.4	-	41.5	42.1	43.3	-	39.6	40.2	41.4	-	37.4	37.9	39.2	-	35.3	35.9	37.1	-												
	S/T	0.74	0.66	0.52	-	1.00	0.67	0.53	-	1.00	0.70	0.56	-	1.00	1.00	0.58	-	1.00	1.00	0.60	-	1.00	1.00	0.65	-												
	ΔT	18.05	16.13	12.54	-	18.00	16.08	12.48	-	18.27	16.35	12.76	-	17.98	16.06	12.47	-	17.72	15.80	12.21	-	18.93	17.01	13.41	-												
	kW	2.78	2.78	2.78	-	3.11	3.11	3.11	-	3.48	3.48	3.48	-	3.88	3.88	3.87	-	4.33	4.33	4.32	-	4.85	4.85	4.84	-												
	Amps	11.53	11.51	11.49	-	13.04	13.03	13.00	-	14.73	14.71	14.69	-	16.55	16.54	16.51	-	18.59	18.58	18.55	-	20.99	20.97	20.95	-												
Hi PR	257	259	260	-	297	298	300	-	339	340	342	-	384	385	387	-	432	433	435	-	484	485	486	-													
Lo PR	142	143	147	-	150	152	155	-	157	159	162	-	163	165	169	-	169	171	175	-	177	179	182	-													

75	1300	MBh	41.8	42.4	43.6	45.5	41.4	42.0	43.2	45.1	40.3	40.9	42.1	44.0	38.5	<b>39.1</b>	40.3	42.2	36.2	36.8	38.0	39.9	34.1	34.7	36.0	37.8
		S/T	1.00	0.75	0.61	0.5	1.00	0.76	0.62	0.5	1.00	1.00	0.64	0.5	1.00	1.00	0.69	0.5	1.00	1.00	0.69	0.5	1.00	1.00	0.61	0.6
		ΔT	23.87	21.95	18.36	14.6	23.82	21.90	18.30	14.6	24.09	22.17	18.57	14.9	23.80	<b>21.88</b>	18.28	14.6	23.54	21.62	18.03	14.3	24.75	22.82	19.23	15.5
		kW	2.76	2.76	2.75	2.8	3.09	3.09	3.08	3.1	3.46	3.46	3.45	3.5	3.86	<b>3.85</b>	3.85	3.9	4.30	4.30	4.29	4.3	4.83	4.82	4.82	4.8
		Amps	11.41	11.40	11.37	11.5	12.92	12.91	12.88	13.0	14.61	14.60	14.57	14.7	16.44	<b>16.42</b>	16.40	16.5	18.48	18.46	18.44	18.6	20.87	20.86	20.83	20.9
	Hi PR	254	255	257	261.4	294	295	297	301.2	336	337	338	342.8	380	<b>381</b>	383	387.6	429	430	432	436.0	480	481	483	487.5	
	Lo PR	138	140	143	148.8	146	148	151	157.1	153	155	159	164.3	160	<b>161</b>	165	170.4	166	167	171	176.4	173	175	178	184.0	
	1400	MBh	42.2	42.7	44.0	45.8	41.8	42.4	43.6	45.5	40.7	41.3	42.5	44.4	38.9	39.4	40.7	42.6	36.6	37.2	38.4	40.3	34.5	35.1	36.3	38.2
		S/T	1.00	0.78	0.64	0.5	1.00	0.79	0.64	0.5	1.00	1.00	0.67	0.5	1.00	1.00	0.69	0.5	1.00	1.00	0.71	0.6	1.00	1.00	0.61	0.6
		ΔT	23.25	21.33	17.74	14.0	23.20	21.28	17.68	14.0	23.47	21.55	17.95	14.2	23.18	21.26	17.66	13.9	22.92	21.00	17.41	13.7	24.13	22.20	18.61	14.9
kW		2.77	2.77	2.76	2.8	3.10	3.10	3.09	3.1	3.47	3.46	3.46	3.5	3.87	3.86	3.86	3.9	4.31	4.31	4.31	4.30	4.84	4.83	4.83	4.9	
Amps		11.45	11.44	11.41	11.5	12.96	12.95	12.93	13.0	14.65	14.64	14.61	14.7	16.48	16.46	16.44	16.6	18.52	18.51	18.48	18.6	20.91	20.90	20.87	21.0	
Hi PR	255	257	258	262.7	295	296	298	302.4	337	338	340	344.1	382	<b>383</b>	385	388.9	430	431	433	437.2	482	483	484	488.8		
Lo PR	139	141	144	150.1	147	149	153	158.4	155	156	160	165.6	161	163	166	171.8	167	169	172	177.8	174	176	180	185.3		
1575	MBh	42.9	43.5	44.8	46.6	42.6	43.2	44.4	46.3	41.5	42.1	43.3	45.2	39.6	40.2	41.5	43.3	37.4	38.0	39.2	41.1	35.3	35.9	37.1	39.0	
	S/T	1.00	0.80	0.66	0.5	1.00	0.81	0.66	0.5	1.00	1.00	0.69	0.5	1.00	1.00	0.71	0.6	1.00	1.00	0.73	0.6	1.00	1.00	0.61	0.6	
	ΔT	22.28	20.36	16.77	13.0	22.23	20.31	16.72	13.0	22.50	20.58	16.99	13.3	22.21	20.29	16.70	13.0	21.95	20.03	16.44	12.7	23.16	21.24	17.64	13.9	
	kW	2.78	2.78	2.77	2.8	3.11	3.11	3.10	3.1	3.48	3.48	3.47	3.5	3.88	3.88	3.87	3.9	4.33	4.32	4.32	4.3	4.85	4.85	4.84	4.9	
	Amps	11.52	11.50	11.48	11.6	13.03	13.02	12.99	13.1	14.72	14.70	14.68	14.8	16.54	16.53	16.50	16.6	18.58	18.57	18.54	18.7	20.98	20.96	20.94	21.1	
Hi PR	258	259	261	265.0	297	299	300	304.7	339	340	342	346.3	384	<b>385</b>	387	391.2	432	433	435	439.5	484	485	487	491.1		
Lo PR	142	143	147	152.7	150	152	155	161.0	157	159	162	168.2	163	165	169	174.4	169	171	175	180.4	177	179	182	187.9		

IDB: Entering Indoor Dry Bulb Temperature  
 High and low pressures are measured at the liquid and suction access fittings.  
 Shaded area reflects ACCA (TVA) conditions  
 kW = Total system power  
 Amps = outdoor unit amps (comp.+fan)

IDB		OUTDOOR AMBIENT TEMPERATURE																								
		65°F				75°F				85°F				95°F				105°F				115°F				
		59	63	67	71	59	63	67	71	59	63	67	71	59	63	67	71	59	63	67	71	59	63	67	71	
<b>80</b>	<b>1300</b>	MBh	42.0	42.6	43.8	45.7	41.6	42.2	43.4	45.3	40.5	41.1	42.4	44.2	38.7	39.3	40.5	42.4	36.4	37.0	38.2	40.1	34.4	34.9	36.2	38.1
		S/T	1.00	0.89	0.74	0.6	1.00	1.00	0.75	0.6	1.00	1.00	0.78	0.6	1.00	1.00	0.80	0.6	1.00	1.00	1.00	0.7	1.00	1.00	1.00	0.7
		ΔT	28.13	26.21	22.61	18.9	28.08	26.15	22.56	18.8	28.35	26.42	22.83	19.1	28.06	26.13	22.54	18.8	27.80	25.88	22.29	18.6	29.01	27.08	23.49	19.8
		kW	2.76	2.76	2.75	2.8	3.09	3.09	3.08	3.1	3.46	3.46	3.45	3.5	3.86	3.86	3.85	3.9	4.30	4.30	4.30	4.3	4.83	4.83	4.82	4.8
		Amps	11.42	11.41	11.38	11.5	12.93	12.92	12.89	13.0	14.62	14.60	14.58	14.7	16.44	16.43	16.41	16.5	18.48	18.47	18.45	18.6	20.88	20.87	20.84	21.0
		Hi PR	255	256	258	261.9	294	295	297	301.6	336	337	339	343.3	381	382	384	388.1	429	430	432	436.4	481	482	484	488.0
	Lo PR	138	140	144	149.4	147	148	152	157.7	154	156	159	164.9	160	162	165	171.0	166	168	171	177.0	174	175	179	184.6	
	MBh	42.4	43.0	44.2	46.1	42.0	42.6	43.8	45.7	40.9	41.5	42.7	44.6	39.1	39.7	40.9	42.8	36.8	37.4	38.6	40.5	34.7	35.3	36.6	38.4	
	S/T	1.00	0.91	0.77	0.6	1.00	1.00	0.77	0.6	1.00	1.00	0.80	0.7	1.00	1.00	0.82	0.7	1.00	1.00	1.00	0.7	1.00	1.00	1.00	0.7	
	ΔT	27.51	25.59	22.00	18.3	27.46	25.54	21.94	18.2	27.73	25.81	22.21	18.5	27.44	25.52	21.92	18.2	27.18	25.26	21.67	17.9	28.39	26.46	22.87	19.1	
	kW	2.77	2.77	2.76	2.8	3.10	3.10	3.09	3.1	3.47	3.47	3.46	3.5	3.87	3.87	3.86	3.9	4.31	4.31	4.31	4.3	4.84	4.83	4.83	4.9	
	Amps	11.46	11.45	11.42	11.5	12.97	12.96	12.93	13.0	14.66	14.65	14.62	14.7	16.48	16.47	16.45	16.6	18.53	18.51	18.49	18.6	20.92	20.91	20.88	21.0	
Hi PR	256	257	259	263.2	296	297	299	302.9	337	338	340	344.5	382	383	385	389.4	430	432	433	437.7	482	483	485	489.3		
Lo PR	140	141	145	150.7	148	150	153	159.0	155	157	160	166.2	161	163	167	172.4	167	169	173	178.4	175	177	180	185.9		
MBh	43.2	43.7	45.0	46.9	42.8	43.4	44.6	46.5	41.7	42.3	43.5	45.4	39.9	40.4	41.7	43.6	37.6	38.2	39.4	41.3	35.5	36.1	37.3	39.2		
S/T	1.00	0.93	0.79	0.6	1.00	1.00	0.80	0.6	1.00	1.00	0.82	0.7	1.00	1.00	0.84	0.7	1.00	1.00	1.00	0.7	1.00	1.00	1.00	0.7		
ΔT	26.54	24.62	21.03	17.3	26.49	24.57	20.97	17.3	26.76	24.84	21.24	17.5	26.47	24.55	20.95	17.2	26.21	24.29	20.70	17.0	27.42	25.49	21.90	18.2		
kW	2.78	2.78	2.78	2.8	3.11	3.11	3.11	3.1	3.48	3.48	3.47	3.5	3.88	3.88	3.87	3.9	4.33	4.33	4.32	4.3	4.85	4.85	4.84	4.9		
Amps	11.52	11.51	11.49	11.6	13.04	13.02	13.00	13.1	14.72	14.71	14.69	14.8	16.55	16.54	16.51	16.6	18.59	18.58	18.55	18.7	20.98	20.97	20.95	21.1		
Hi PR	258	259	261	265.4	298	299	301	305.2	340	341	342	346.8	384	385	387	391.6	433	434	436	440.0	484	485	487	491.5		
Lo PR	142	144	148	153.3	151	152	156	161.6	158	160	163	168.8	164	166	169	175.0	170	172	175	181.0	178	179	183	188.5		

<b>85</b>	<b>1300</b>	MBh	42.7	43.3	44.5	46.4	42.3	42.9	44.1	46.0	41.2	41.8	43.0	44.9	39.4	40.0	41.2	43.1	37.1	37.7	38.9	40.8	35.1	35.6	36.9	38.7
		S/T	1.00	1.00	0.85	0.7	1.00	1.00	0.86	0.7	1.00	1.00	0.88	0.7	1.00	1.00	0.90	0.8	1.00	1.00	1.00	0.8	1.00	1.00	1.00	0.8
		ΔT	31.91	29.98	26.39	22.7	31.86	29.93	26.34	22.6	32.13	30.20	26.61	22.9	31.84	29.91	26.32	22.6	31.58	29.65	26.06	22.3	32.78	30.86	27.27	23.5
		kW	2.77	2.76	2.76	2.8	3.10	3.09	3.09	3.1	3.47	3.46	3.46	3.5	3.87	3.86	3.86	3.9	4.31	4.31	4.30	4.3	4.83	4.83	4.83	4.9
		Amps	11.45	11.43	11.41	11.5	12.96	12.95	12.92	13.0	14.65	14.63	14.61	14.7	16.47	16.46	16.43	16.5	18.51	18.50	18.47	18.6	20.91	20.89	20.87	21.0
		Hi PR	256	257	259	263.1	296	297	298	302.8	337	338	340	344.4	382	383	385	389.3	430	431	433	437.6	482	483	485	489.2
	Lo PR	141	142	146	151.4	149	150	154	159.7	156	158	161	167.0	162	164	167	173.1	168	170	173	179.1	176	177	181	186.6	
	MBh	43.1	43.6	44.9	46.8	42.7	43.3	44.5	46.4	41.6	42.2	43.4	45.3	39.8	40.3	41.6	43.5	37.5	38.1	39.3	41.2	35.4	36.0	37.3	39.1	
	S/T	1.00	1.00	0.87	0.7	1.00	1.00	0.88	0.7	1.00	1.00	0.90	0.8	1.00	1.00	0.92	0.8	1.00	1.00	1.00	0.8	1.00	1.00	1.00	0.8	
	ΔT	31.29	29.37	25.77	22.1	31.24	29.31	25.72	22.0	31.51	29.58	25.99	22.3	31.22	29.29	25.70	22.0	30.96	29.04	25.44	21.7	32.16	30.24	26.65	22.9	
	kW	2.78	2.77	2.77	2.8	3.11	3.10	3.10	3.1	3.48	3.47	3.47	3.5	3.87	3.87	3.87	3.9	4.32	4.32	4.31	4.3	4.84	4.84	4.83	4.9	
	Amps	11.49	11.48	11.45	11.6	13.00	12.99	12.96	13.1	14.69	14.68	14.65	14.8	16.51	16.50	16.48	16.6	18.55	18.54	18.52	18.6	20.95	20.94	20.91	21.0	
Hi PR	257	258	260	264.4	297	298	300	304.1	338	340	341	345.7	383	384	386	390.5	432	433	434	438.9	483	484	486	490.5		
Lo PR	142	144	147	152.8	150	152	155	161.0	157	159	162	168.3	163	165	169	174.4	169	171	175	180.4	177	179	182	187.9		
MBh	43.9	44.4	45.7	47.5	43.5	44.1	45.3	47.2	42.4	43.0	44.2	46.1	40.6	41.1	42.4	44.2	38.3	38.9	40.1	42.0	36.2	36.8	38.0	39.9		
S/T	1.00	1.00	0.90	0.7	1.00	1.00	0.90	0.8	1.00	1.00	0.92	0.8	1.00	1.00	0.94	0.8	1.00	1.00	1.00	0.8	1.00	1.00	1.00	0.8		
ΔT	30.32	28.40	24.80	21.1	30.27	28.34	24.75	21.0	30.54	28.61	25.02	21.3	30.25	28.32	24.73	21.0	29.99	28.07	24.47	20.8	31.20	29.27	25.68	22.0		
kW	2.79	2.79	2.78	2.8	3.12	3.12	3.11	3.1	3.49	3.49	3.48	3.5	3.89	3.89	3.88	3.9	4.33	4.33	4.33	4.4	4.86	4.85	4.85	4.9		
Amps	11.55	11.54	11.52	11.6	13.06	13.05	13.03	13.1	14.75	14.74	14.71	14.8	16.58	16.57	16.54	16.7	18.62	18.61	18.58	18.7	21.01	21.00	20.98	21.1		
Hi PR	259	260	262	266.6	299	300	302	306.4	341	342	344	348.0	386	387	388	392.8	434	435	437	441.1	485	487	488	492.7		
Lo PR	144	146	150	155.4	153	154	158	163.6	160	162	165	170.9	166	168	171	177.0	172	174	177	183.0	180	181	185	190.5		

IDB: Entering Indoor Dry Bulb Temperature  
 High and low pressures are measured at the liquid and suction access fittings.  
 Shaded area reflects AHRI conditions  
 kW = Total system power  
 Amps = outdoor unit amps (comp.+fan)

IDB		OUTDOOR AMBIENT TEMPERATURE																							
		65°F				75°F				85°F				95°F				105°F				115°F			
		59	63	67	71	59	63	67	71	59	63	67	71	59	63	67	71	59	63	67	71	59	63	67	71
<b>1300</b>	MBh	45.9	46.5	47.9	-	45.5	46.1	47.5	-	44.3	44.9	46.3	-	42.2	42.9	44.2	-	39.8	40.4	41.8	-	37.5	38.1	39.5	-
	S/T	0.67	0.60	0.46	-	0.68	0.60	0.46	-	0.70	0.63	0.49	-	1.00	0.65	0.51	-	1.00	0.67	0.53	-	1.00	0.72	0.58	-
	ΔT	20.47	18.46	14.72	-	20.41	18.41	14.67	-	20.70	18.69	14.95	-	20.39	18.39	14.64	-	20.13	18.12	14.38	-	21.38	19.38	15.63	-
	kW	3.01	3.01	3.00	-	3.38	3.38	3.37	-	3.79	3.79	3.78	-	4.24	4.24	4.23	-	4.74	4.74	4.73	-	5.33	5.33	5.32	-
	Amps	12.53	12.51	12.49	-	14.23	14.21	14.18	-	16.12	16.11	16.08	-	18.17	18.16	18.13	-	20.46	20.45	20.42	-	23.15	23.14	23.11	-
	Hi PR	267	268	270	-	309	310	312	-	352	353	355	-	399	401	402	-	450	451	453	-	504	505	507	-
	Lo PR	124	126	129	-	132	133	136	-	138	140	143	-	144	145	149	-	149	151	154	-	156	158	161	-
	MBh	47.3	47.9	49.3	-	46.9	47.5	48.9	-	45.7	46.4	47.7	-	43.7	44.3	45.7	-	41.2	41.8	43.2	-	38.9	39.6	40.9	-
	S/T	0.72	0.64	0.50	-	0.72	0.65	0.51	-	0.75	0.67	0.54	-	1.00	0.69	0.55	-	1.00	0.71	0.58	-	1.00	0.77	0.63	-
	ΔT	18.68	16.67	12.93	-	18.62	16.62	12.88	-	18.91	16.90	13.16	-	18.60	16.60	12.85	-	18.34	16.33	12.59	-	19.59	17.59	13.84	-
kW	3.04	3.03	3.03	-	3.41	3.40	3.40	-	3.82	3.82	3.81	-	4.27	4.27	4.26	-	4.77	4.77	4.76	-	5.36	5.35	5.35	-	
Amps	12.66	12.64	12.62	-	14.35	14.34	14.31	-	16.25	16.24	16.21	-	18.30	18.29	18.26	-	20.59	20.58	20.55	-	23.28	23.27	23.24	-	
Hi PR	271	272	274	-	313	314	316	-	356	357	359	-	403	405	406	-	454	455	457	-	508	510	511	-	
Lo PR	128	130	133	-	136	137	140	-	142	144	147	-	148	149	152	-	153	155	158	-	160	161	165	-	
MBh	48.6	49.2	50.5	-	48.1	48.8	50.1	-	47.0	47.6	49.0	-	44.9	45.6	46.9	-	42.4	43.1	44.4	-	40.2	40.8	42.2	-	
S/T	0.71	0.63	0.49	-	0.71	0.64	0.50	-	1.00	0.66	0.52	-	1.00	0.68	0.54	-	1.00	0.70	0.57	-	1.00	1.00	0.62	-	
ΔT	17.64	15.64	11.89	-	17.59	15.58	11.84	-	17.87	15.86	12.12	-	17.57	15.56	11.82	-	17.30	15.29	11.55	-	18.55	16.55	12.81	-	
kW	3.05	3.05	3.04	-	3.42	3.42	3.41	-	3.84	3.83	3.83	-	4.29	4.28	4.28	-	4.79	4.78	4.78	-	5.37	5.37	5.36	-	
Amps	12.73	12.72	12.69	-	14.43	14.42	14.39	-	16.32	16.31	16.28	-	18.37	18.36	18.33	-	20.67	20.65	20.62	-	23.35	23.34	23.31	-	
Hi PR	274	275	277	-	316	317	319	-	359	360	362	-	406	407	409	-	457	458	460	-	511	512	514	-	
Lo PR	131	133	136	-	139	140	144	-	145	147	150	-	151	152	156	-	156	158	161	-	163	165	168	-	

IDB		OUTDOOR AMBIENT TEMPERATURE																							
		65°F				75°F				85°F				95°F				105°F				115°F			
		59	63	67	71	59	63	67	71	59	63	67	71	59	63	67	71	59	63	67	71	59	63	67	71
<b>1300</b>	MBh	45.9	46.5	47.9	50.0	45.5	46.1	47.5	49.5	44.3	44.9	46.3	48.4	42.3	42.9	44.3	46.3	39.8	40.4	41.8	43.8	37.5	38.2	39.5	41.6
	S/T	0.80	0.73	0.59	0.4	0.81	0.73	0.59	0.5	1.00	0.76	0.62	0.5	1.00	0.82	0.68	0.5	1.00	0.80	0.66	0.5	1.00	1.00	0.76	0.6
	ΔT	24.88	22.87	19.13	15.3	24.82	22.82	19.07	15.2	25.10	23.10	19.36	15.5	24.80	22.80	19.05	15.2	24.53	22.53	18.79	14.9	25.79	23.78	20.04	16.2
	kW	3.01	3.00	3.00	3.0	3.38	3.37	3.37	3.4	3.79	3.79	3.78	3.8	4.24	4.24	4.23	4.3	4.74	4.74	4.73	4.8	5.33	5.32	5.32	5.3
	Amps	12.52	12.50	12.47	12.6	14.21	14.20	14.17	14.3	16.11	16.10	16.07	16.2	18.16	18.15	18.12	18.2	20.45	20.44	20.41	20.5	23.14	23.12	23.10	23.2
	Hi PR	267	268	270	274.6	309	310	312	316.4	353	354	356	360.1	400	401	403	407.2	450	452	453	458.0	505	506	508	512.2
	Lo PR	124	126	129	134.2	132	133	136	141.7	138	140	143	148.2	144	145	149	153.8	149	151	154	159.2	156	158	161	166.0
	MBh	47.3	48.0	49.3	51.4	46.9	47.6	48.9	51.0	45.7	46.4	47.7	49.8	43.7	44.3	45.7	47.8	41.2	41.9	43.2	45.3	38.9	39.6	40.9	43.0
	S/T	0.85	0.77	0.63	0.5	1.00	0.78	0.64	0.5	1.00	0.80	0.67	0.5	1.00	0.82	0.68	0.5	1.00	1.00	0.71	0.6	1.00	1.00	0.76	0.6
	ΔT	23.09	21.08	17.34	13.5	23.03	21.03	17.28	13.4	23.31	21.31	17.57	13.7	23.01	21.01	17.26	13.4	22.74	20.74	17.00	13.1	24.00	21.99	18.25	14.4
kW	3.03	3.03	3.02	3.1	3.41	3.40	3.40	3.4	3.82	3.82	3.81	3.8	4.27	4.26	4.26	4.3	4.77	4.76	4.76	4.8	5.35	5.35	5.35	5.4	
Amps	12.65	12.63	12.60	12.7	14.34	14.33	14.30	14.4	16.24	16.23	16.20	16.3	18.29	18.28	18.25	18.4	20.58	20.57	20.54	20.7	23.27	23.25	23.23	23.4	
Hi PR	271	272	274	278.7	313	314	316	320.5	357	358	360	364.2	404	405	407	411.3	454	456	457	462.0	509	510	512	516.2	
Lo PR	128	130	133	138.1	136	137	140	145.6	142	144	147	152.1	148	149	152	157.6	153	155	158	163.1	160	162	165	169.9	
MBh	48.6	49.2	50.6	52.6	48.2	48.8	50.2	52.2	47.0	47.6	49.0	51.0	45.0	45.6	46.9	49.0	42.5	43.1	44.5	46.5	40.2	40.8	42.2	44.3	
S/T	0.84	0.76	0.62	0.5	1.00	0.77	0.63	0.5	1.00	0.79	0.65	0.5	1.00	0.81	0.67	0.5	1.00	1.00	0.70	0.6	1.00	1.00	0.75	0.6	
ΔT	22.05	20.05	16.30	12.4	22.00	19.99	16.25	12.4	22.28	20.27	16.53	12.7	21.98	19.97	16.23	12.3	21.71	19.70	15.96	12.1	22.96	20.96	17.21	13.3	
kW	3.05	3.05	3.04	3.1	3.42	3.42	3.41	3.4	3.84	3.83	3.83	3.9	4.28	4.28	4.27	4.3	4.78	4.78	4.77	4.8	5.37	5.37	5.36	5.4	
Amps	12.72	12.71	12.68	12.8	14.42	14.40	14.38	14.5	16.31	16.30	16.27	16.4	18.36	18.35	18.32	18.5	20.65	20.64	20.61	20.7	23.34	23.33	23.30	23.4	
Hi PR	274	275	277	281.6	316	317	319	323.4	359	361	363	367.1	407	408	410	414.2	457	459	460	465.0	512	513	515	519.2	
Lo PR	131	133	136	141.3	139	140	144	148.8	145	147	150	155.3	151	153	156	160.9	156	158	161	166.3	163	165	168	173.1	

IDB: Entering Indoor Dry Bulb Temperature  
 High and low pressures are measured at the liquid and suction access fittings.  
 Shaded area reflects ACCA (TVA) conditions  
 kW = Total system power  
 Amps = outdoor unit amps (comp.+fan)

IDB		OUTDOOR AMBIENT TEMPERATURE																								
		65°F				75°F				85°F				95°F				105°F				115°F				
		59	63	67	71	59	63	67	71	59	63	67	71	59	63	67	71	59	63	67	71	59	63	67	71	
<b>80</b>	AIRFLOW	MBh	46.1	46.8	48.1	50.2	45.7	46.4	47.7	49.8	44.5	45.2	46.5	48.6	42.5	43.1	44.5	46.6	40.0	40.7	42.0	44.1	37.8	38.4	39.7	41.8
		S/T	1.00	0.85	0.72	0.6	1.00	0.86	0.72	0.6	1.00	0.88	0.75	0.6	1.00	1.00	0.77	0.6	1.00	1.00	0.79	0.6	1.00	1.00	0.84	0.7
	ΔT	29.32	27.31	23.57	19.7	29.26	27.26	23.51	19.6	29.54	27.54	23.79	19.9	29.24	27.24	23.49	19.6	28.97	26.97	23.22	19.3	30.23	28.22	24.48	20.6	
	kW	3.01	3.01	3.00	3.0	3.38	3.38	3.37	3.4	3.79	3.79	3.78	3.8	4.24	4.24	4.23	4.3	4.74	4.74	4.73	4.8	5.33	5.33	5.32	5.3	
	Amps	12.53	12.51	12.48	12.6	14.22	14.21	14.18	14.3	16.12	16.10	16.08	16.2	18.17	18.16	18.13	18.3	20.46	20.45	20.42	20.5	23.15	23.13	23.10	23.2	
	Hi PR	268	269	271	275.1	309	310	312	316.9	353	354	356	360.6	400	401	403	407.7	451	452	454	458.5	505	506	508	512.7	
	Lo PR	125	126	130	134.8	132	134	137	142.2	139	140	144	148.8	144	146	149	154.3	150	151	154	159.7	157	158	161	166.5	
	MBh	47.6	48.2	49.6	51.6	47.2	47.8	49.1	51.2	46.0	46.6	48.0	50.0	43.9	44.6	45.9	48.0	41.5	42.1	43.4	45.5	39.2	39.8	41.2	43.2	
	S/T	1.00	0.90	0.76	0.6	1.00	0.90	0.77	0.6	1.00	0.93	0.79	0.6	1.00	1.00	0.81	0.7	1.00	1.00	0.83	0.7	1.00	1.00	0.89	0.7	
	ΔT	27.53	25.52	21.78	17.9	27.47	25.47	21.72	17.8	27.75	25.75	22.00	18.1	27.45	25.44	21.70	17.8	27.18	25.18	21.43	17.6	28.44	26.43	22.69	18.8	
kW	3.04	3.03	3.03	3.1	3.41	3.40	3.40	3.4	3.82	3.82	3.81	3.8	4.27	4.27	4.26	4.3	4.77	4.77	4.76	4.8	5.36	5.35	5.35	5.4		
Amps	12.66	12.64	12.61	12.7	14.35	14.34	14.31	14.4	16.25	16.23	16.21	16.3	18.30	18.28	18.26	18.4	20.59	20.58	20.55	20.7	23.28	23.26	23.23	23.4		
Hi PR	272	273	275	279.2	313	314	316	320.9	357	358	360	364.7	404	405	407	411.8	455	456	458	462.5	509	510	512	516.7		
Lo PR	129	130	133	138.7	136	138	141	146.1	143	144	147	152.7	148	150	153	158.2	154	155	158	163.6	161	162	165	170.4		
MBh	48.8	49.5	50.8	52.9	48.4	49.0	50.4	52.5	47.2	47.9	49.2	51.3	45.2	45.8	47.2	49.2	42.7	43.3	44.7	46.8	40.4	41.1	42.4	44.5		
S/T	1.00	0.89	0.75	0.6	1.00	0.89	0.76	0.6	1.00	1.00	0.78	0.6	1.00	1.00	0.80	0.7	1.00	1.00	0.82	0.7	1.00	1.00	1.00	0.7		
ΔT	26.49	24.48	20.74	16.9	26.43	24.43	20.69	16.8	26.72	24.71	20.97	17.1	26.41	24.41	20.67	16.8	26.15	24.14	20.40	16.5	27.40	25.40	21.65	17.8		
kW	3.05	3.05	3.04	3.1	3.42	3.42	3.41	3.4	3.84	3.83	3.83	3.9	4.29	4.28	4.28	4.3	4.79	4.78	4.78	4.8	5.37	5.37	5.36	5.4		
Amps	12.73	12.72	12.69	12.8	14.43	14.41	14.38	14.5	16.32	16.31	16.28	16.4	18.37	18.36	18.33	18.5	20.66	20.65	20.62	20.8	23.35	23.34	23.31	23.4		
Hi PR	275	276	278	282.1	316	317	319	323.9	360	361	363	367.6	407	408	410	414.7	458	459	461	465.5	512	513	515	519.6		
Lo PR	132	134	137	141.9	139	141	144	149.3	146	148	151	155.9	152	153	156	161.4	157	158	162	166.8	164	165	168	173.6		

<b>85</b>	AIRFLOW	MBh	46.9	47.5	48.9	50.9	46.5	47.1	48.5	50.5	45.3	45.9	47.3	49.4	43.3	43.9	45.3	47.3	40.8	41.4	42.8	44.8	38.5	39.2	40.5	42.6
		S/T	1.00	0.95	0.82	0.7	1.00	1.00	0.82	0.7	1.00	1.00	0.85	0.7	1.00	1.00	0.87	0.7	1.00	1.00	0.89	0.7	1.00	1.00	1.00	0.8
	ΔT	33.25	31.25	27.50	23.6	33.20	31.19	27.45	23.6	33.48	31.47	27.73	23.9	33.18	31.17	27.43	23.5	32.91	30.90	27.16	23.3	34.16	32.16	28.42	24.5	
	kW	3.02	3.01	3.01	3.0	3.39	3.38	3.38	3.4	3.80	3.80	3.79	3.8	4.25	4.25	4.24	4.3	4.75	4.75	4.74	4.8	5.34	5.33	5.33	5.4	
	Amps	12.56	12.55	12.52	12.6	14.26	14.24	14.21	14.3	16.15	16.14	16.11	16.2	18.20	18.19	18.16	18.3	20.49	20.48	20.45	20.6	23.18	23.17	23.14	23.3	
	Hi PR	269	270	272	276.4	310	312	314	318.1	354	355	357	361.9	401	402	404	408.9	452	453	455	459.7	506	507	509	513.9	
	Lo PR	127	128	131	136.6	134	136	139	144.1	141	142	145	150.6	146	148	151	156.1	152	153	156	161.5	158	160	163	168.3	
	MBh	48.3	49.0	50.3	52.4	47.9	48.6	49.9	52.0	46.7	47.4	48.7	50.8	44.7	45.3	46.7	48.8	42.2	42.9	44.2	46.3	39.9	40.6	41.9	44.0	
	S/T	1.00	1.00	0.86	0.7	1.00	1.00	0.87	0.7	1.00	1.00	0.89	0.7	1.00	1.00	0.91	0.8	1.00	1.00	1.00	0.8	1.00	1.00	1.00	0.8	
	ΔT	31.46	29.46	25.71	21.8	31.41	29.40	25.66	21.8	31.69	29.68	25.94	22.1	31.39	29.38	25.64	21.8	31.12	29.11	25.37	21.5	32.37	30.37	26.63	22.7	
kW	3.04	3.04	3.03	3.1	3.41	3.41	3.40	3.4	3.83	3.83	3.82	3.8	4.28	4.27	4.27	4.3	4.78	4.77	4.77	4.8	5.36	5.36	5.35	5.4		
Amps	12.69	12.67	12.65	12.8	14.39	14.37	14.34	14.5	16.28	16.27	16.24	16.4	18.33	18.32	18.29	18.4	20.62	20.61	20.58	20.7	23.31	23.30	23.27	23.4		
Hi PR	273	274	276	280.4	315	316	318	322.2	358	359	361	365.9	405	407	408	413.0	456	457	459	463.8	510	511	513	518.0		
Lo PR	131	132	135	140.5	138	140	143	148.0	145	146	149	154.5	150	152	155	160.0	156	157	160	165.4	162	164	167	172.2		
MBh	49.6	50.2	51.6	53.6	49.2	49.8	51.2	53.2	48.0	48.6	50.0	52.0	46.0	46.6	47.9	50.0	43.5	44.1	45.5	47.5	41.2	41.8	43.2	45.3		
S/T	1.00	0.99	0.85	0.7	1.00	1.00	0.86	0.7	1.00	1.00	0.88	0.7	1.00	1.00	0.90	0.8	1.00	1.00	1.00	0.8	1.00	1.00	1.00	0.8		
ΔT	30.43	28.42	24.68	20.8	30.37	28.37	24.62	20.7	30.65	28.65	24.90	21.0	30.35	28.35	24.60	20.7	30.08	28.08	24.33	20.5	31.34	29.33	25.59	21.7		
kW	3.06	3.06	3.05	3.1	3.43	3.43	3.42	3.4	3.84	3.84	3.84	3.9	4.29	4.29	4.28	4.3	4.79	4.79	4.78	4.8	5.38	5.38	5.37	5.4		
Amps	12.76	12.75	12.72	12.8	14.46	14.45	14.42	14.5	16.35	16.34	16.31	16.4	18.40	18.39	18.36	18.5	20.70	20.68	20.65	20.8	23.38	23.37	23.34	23.5		
Hi PR	276	277	279	283.4	317	319	320	325.1	361	362	364	368.8	408	409	411	415.9	459	460	462	466.7	513	514	516	520.9		
Lo PR	134	135	139	143.7	141	143	146	151.2	148	149	152	157.7	153	155	158	163.2	159	160	163	168.7	166	167	170	175.4		

IDB: Entering Indoor Dry Bulb Temperature  
 High and low pressures are measured at the liquid and suction access fittings.  
 Shaded area reflects AHRI conditions  
 kW = Total system power  
 Amps = outdoor unit amps (comp.+fan)

**GPDM32406041**

**100 % CAPACITY**

	OUTDOOR AMBIENT TEMPERATURE																
	65	60	55	50	47	45	40	35	30	25	20	17	15	10	5	0	-5
MBh	30.81	28.85	26.91	25.01	23.79	22.89	20.61	18.50	16.78	15.50	14.56	14.05	13.41	11.78	10.16	8.54	6.92
T/R	32.28	30.51	28.74	26.97	25.91	24.94	22.45	20.15	18.28	16.89	15.86	15.31	14.60	12.83	11.07	9.30	7.53
KW	2.32	2.26	2.20	2.15	2.11	2.09	2.03	1.97	1.92	1.86	1.80	1.77	1.74	1.69	1.63	1.57	1.51
AMPS	8.7	8.5	8.2	8.0	7.8	7.7	7.5	7.2	7.0	6.7	6.5	6.3	6.2	6.0	5.7	5.5	5.2
COP	3.89	3.74	3.58	3.41	3.30	3.21	2.97	2.75	2.56	2.44	2.37	2.33	2.25	2.05	1.83	1.59	1.34
Hi PR	420	407	393	379	371	366	352	338	325	311	297	289	284	270	256	243	229
LO PR	138	129	121	112	107	104	95	87	78	69	61	56	52	44	35	26	18

Calculations are based on nominal CFM and 70 °F indoor dry bulb.

Amps = Outdoor unit amps (comp.+fan)

Note: Shaded area is AHRI Rating Conditions at 47°F outdoor ambient temperature

kW = Total system power

**GPDM33008041**

**100 % CAPACITY**

	OUTDOOR AMBIENT TEMPERATURE																
	65	60	55	50	47	45	40	35	30	25	20	17	15	10	5	0	-5
MBh	37.14	34.74	32.38	30.06	28.58	27.48	24.69	22.12	20.02	18.46	17.31	16.69	15.89	13.91	11.93	9.95	7.97
T/R	31.49	29.75	28.00	26.25	25.20	24.23	21.77	19.51	17.65	16.28	15.26	14.72	14.02	12.27	10.52	8.77	7.02
KW	2.73	2.66	2.60	2.54	2.51	2.48	2.42	2.36	2.30	2.24	2.18	2.15	2.12	2.06	2.00	1.94	1.88
AMPS	10.2	9.9	9.7	9.4	9.2	9.1	8.9	8.6	8.3	8.1	7.8	7.7	7.6	7.3	7.0	6.8	6.5
COP	3.99	3.82	3.64	3.46	3.34	3.24	2.99	2.74	2.55	2.41	2.33	2.28	2.20	1.98	1.75	1.50	1.24
Hi PR	425	411	398	384	376	370	356	342	328	315	301	292	287	273	259	245	232
LO PR	137	128	120	111	106	103	94	86	77	69	60	55	52	43	35	26	18

Calculations are based on nominal CFM and 70 °F indoor dry bulb.

Amps = Outdoor unit amps (comp.+fan)

Note: Shaded area is AHRI Rating Conditions at 47°F outdoor ambient temperature

kW = Total system power

**GPDM33608041**

**100 % CAPACITY**

	OUTDOOR AMBIENT TEMPERATURE																
	65	60	55	50	47	45	40	35	30	25	20	17	15	10	5	0	-5
MBh	45.67	42.81	40.00	37.23	35.46	34.17	30.87	27.81	25.30	23.45	22.09	21.36	20.42	18.07	15.72	13.38	11.03
T/R	33.89	32.07	30.26	28.45	27.36	26.37	23.82	21.46	19.52	18.09	17.04	16.48	15.76	13.95	12.13	10.32	8.51
KW	3.63	3.53	3.43	3.33	3.27	3.23	3.13	3.03	2.93	2.83	2.72	2.66	2.62	2.52	2.42	2.32	2.22
AMPS	13.9	13.4	13.0	12.6	12.3	12.1	11.7	11.3	10.8	10.4	9.9	9.7	9.5	9.1	8.6	8.2	7.8
COP	3.69	3.56	3.42	3.28	3.18	3.10	2.89	2.69	2.53	2.43	2.38	2.35	2.28	2.10	1.90	1.69	1.45
Hi PR	476	461	445	430	420	414	399	383	368	352	337	327	321	306	290	275	259
LO PR	130	122	114	106	101	98	89	81	73	65	57	52	49	41	33	25	17

Calculations are based on nominal CFM and 70 °F indoor dry bulb.

Amps = Outdoor unit amps (comp.+fan)

Note: Shaded area is AHRI Rating Conditions at 47°F outdoor ambient temperature

kW = Total system power

**GPDM34210041**

**100 % CAPACITY**

	OUTDOOR AMBIENT TEMPERATURE																
	65	60	55	50	47	45	40	35	30	25	20	17	15	10	5	0	-5
MBh	51.74	48.40	45.12	41.90	39.83	38.31	34.43	30.85	27.93	25.77	24.16	23.30	22.20	19.45	16.69	13.94	11.18
T/R	35.44	33.47	31.51	29.55	28.37	27.28	24.52	21.98	19.89	18.35	17.21	16.60	15.81	13.85	11.89	9.93	7.96
KW	3.82	3.73	3.65	3.56	3.51	3.47	3.38	3.30	3.21	3.12	3.03	2.98	2.95	2.86	2.77	2.69	2.60
AMPS	14.5	14.2	13.8	13.4	13.2	13.0	12.6	12.3	11.9	11.5	11.1	10.9	10.8	10.4	10.0	9.6	9.2
COP	3.97	3.80	3.63	3.45	3.33	3.23	2.98	2.74	2.55	2.42	2.33	2.29	2.21	1.99	1.76	1.52	1.26
Hi PR	417	403	390	376	368	362	349	335	322	308	295	287	281	268	254	240	227
LO PR	134	125	117	109	104	101	92	84	76	67	59	54	51	42	34	26	17

Calculations are based on nominal CFM and 70 °F indoor dry bulb. Amps = Outdoor unit amps (comp.+fan)  
 Note: Shaded area is AHRI Rating Conditions at 47°F outdoor ambient temperature kW = Total system power

**GPDM34810041**

**100 % CAPACITY**

	OUTDOOR AMBIENT TEMPERATURE																
	65	60	55	50	47	45	40	35	30	25	20	17	15	10	5	0	-5
MBh	58.35	54.36	50.42	46.45	43.93	41.97	37.10	32.70	29.13	26.44	24.40	23.30	21.93	18.49	15.05	11.62	8.18
T/R	40.11	37.66	35.21	32.76	31.29	29.89	26.43	23.29	20.75	18.83	17.38	16.60	15.62	13.17	10.72	8.27	5.82
KW	4.14	4.01	3.87	3.74	3.66	3.60	3.47	3.33	3.20	3.06	2.93	2.85	2.79	2.66	2.52	2.39	2.25
AMPS	16.0	15.4	14.8	14.2	13.8	13.6	13.0	12.4	11.8	11.3	10.7	10.3	10.1	9.5	8.9	8.3	7.7
COP	4.13	3.97	3.81	3.64	3.52	3.41	3.14	2.88	2.67	2.53	2.44	2.40	2.30	2.04	1.75	1.43	1.07
Hi PR	318	307	297	287	281	276	266	256	245	235	225	219	214	204	194	183	173
LO PR	76	71	67	62	59	57	52	48	43	38	33	31	29	24	19	15	10

Calculations are based on nominal CFM and 70 °F indoor dry bulb. Amps = Outdoor unit amps (comp.+fan)  
 Note: Shaded area is AHRI Rating Conditions at 47°F outdoor ambient temperature kW = Total system power

**GPDM324\*\*\*41 - RISE RANGE: 25° - 55°**

UNIT STATIC	T1 - 1ST STAGE HEATING SPEED			T2 - 2ND STAGE HEATING SPEED			T3 - COOLING SPEED		T4 - COOLING SPEED		T5 - COOLING SPEED	
	CFM	WATTS	RISE	CFM	WATTS	RISE	CFM	WATTS	CFM	WATTS	CFM	WATTS
0.1	671	66	50	1069	192	42	859	94	1054	164	1174	220
0.2	614	72	55	1020	200	44	810	102	1007	172	1134	227
0.3	563	79	X	976	206	46	761	109	966	179	1093	233
0.4	499	86	X	936	215	48	713	117	926	186	1050	240
0.5	436	94	X	887	219	51	664	125	884	194	1007	249
0.6	362	99	X	841	226	53	615	133	837	201	963	256
0.7	313	105	X	793	232	X	---	---	788	208	919	262
0.8	251	110	X	745	239	X	---	---	737	216	867	270

**GPDM330\*\*\*41 - RISE RANGE: 35° - 65°**

UNIT STATIC	T1 - 1ST STAGE HEATING SPEED			T2 - 2ND STAGE HEATING SPEED			T3 - COOLING SPEED		T4 - COOLING SPEED		T5 - COOLING SPEED	
	CFM	WATTS	RISE	CFM	WATTS	RISE	CFM	WATTS	CFM	WATTS	CFM	WATTS
0.1	997	147	45	1276	284	47	1059	137	1253	238	1359	317
0.2	965	155	47	1238	284	48	1008	144	1207	245	1326	319
0.3	922	165	49	1206	289	50	956	151	1163	253	1285	331
0.4	886	173	51	1164	302	52	908	158	1118	260	1249	333
0.5	835	182	54	1131	314	53	857	166	1071	268	1211	345
0.6	781	188	58	1086	319	55	784	175	1023	275	1168	348
0.7	731	200	62	1038	319	58	732	180	973	283	1126	360
0.8	677	202	X	984	322	61	673	188	923	290	1082	362

**GPDM336\*\*\*41 - RISE RANGE: HIGH FIRE 35° - 65° LOW FIRE 25° - 55°**

UNIT STATIC	T1 - 1ST STAGE HEATING SPEED			T2 - 2ND STAGE HEATING SPEED			T3 - COOLING SPEED		T4 - COOLING SPEED		T5 - COOLING SPEED	
	CFM	WATTS	RISE	CFM	WATTS	RISE	CFM	WATTS	CFM	WATTS	CFM	WATTS
0.1	997	147	45	1276	284	47	1317	230	1390	325	1481	404
0.2	965	155	47	1238	284	48	1269	237	1347	330	1447	410
0.3	922	165	49	1206	289	50	1221	245	1305	339	1410	419
0.4	886	173	51	1164	302	52	1174	253	1263	344	1378	428
0.5	835	182	54	1131	314	53	1126	260	1223	354	1340	439
0.6	781	188	58	1086	319	55	1078	268	1182	358	1304	443
0.7	731	200	62	1038	319	58	1030	276	1138	368	1272	448
0.8	677	202	X	984	322	61	982	283	1091	372	1229	454

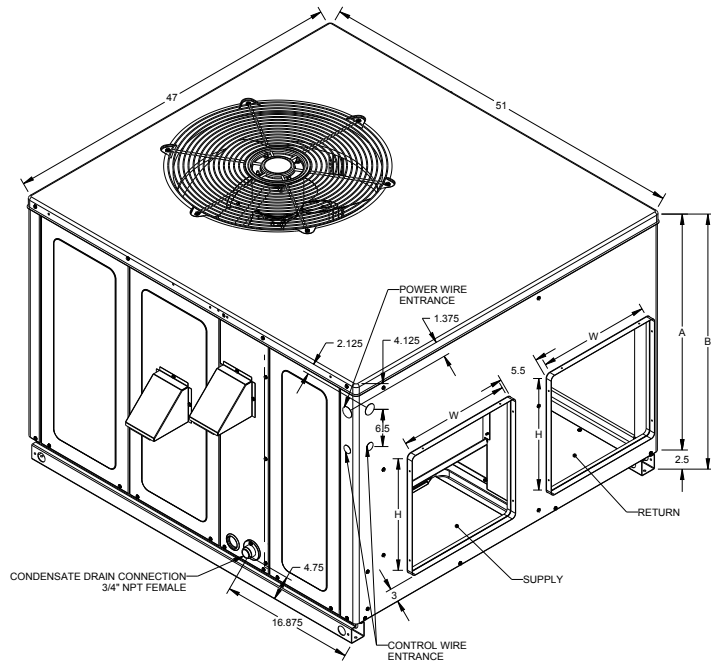
**GPDM342\*\*\*41 - RISE RANGE: 35° - 65°**

UNIT STATIC	T1 - 1ST STAGE HEATING SPEED			T2 - 2ND STAGE HEATING SPEED			T3 - COOLING SPEED		T4 - COOLING SPEED		T5 - COOLING SPEED	
	CFM	WATTS	RISE	CFM	WATTS	RISE	CFM	WATTS	CFM	WATTS	CFM	WATTS
0.1	1098	167	51	1423	324	53	1354	260	1520	423	1648	509
0.2	1038	178	54	1375	335	55	1296	267	1475	432	1599	518
0.3	991	184	57	1322	347	57	1237	275	1430	439	1549	529
0.4	932	192	60	1275	347	59	1178	283	1381	445	1502	534
0.5	871	204	65	1224	357	61	1120	291	1331	452	1459	538
0.6	811	213	X	1172	364	64	1061	299	1285	456	1414	547
0.7	753	210	X	1130	379	X	1002	306	1236	467	1360	552
0.8	704	221	X	1075	384	X	944	314	1185	472	1313	557

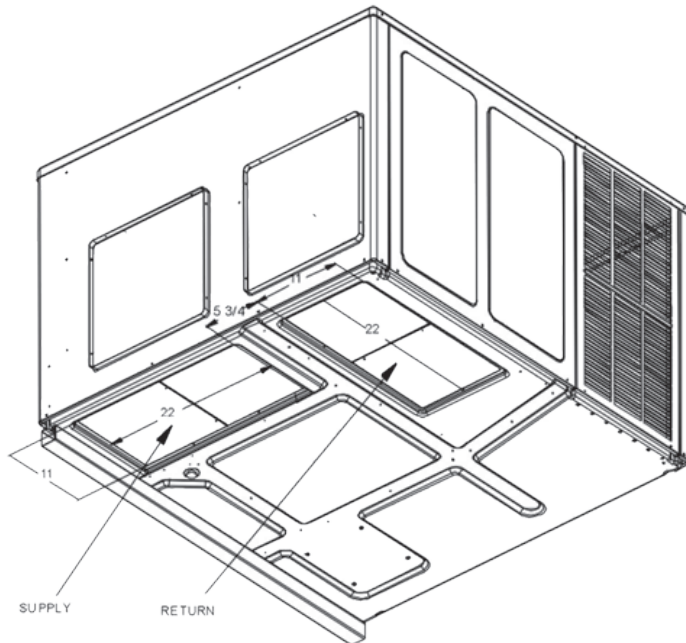
**GPDM348\*\*\*41 - RISE RANGE: 35° - 65°**

UNIT STATIC	T1 - 1ST STAGE HEATING SPEED			T2 - 2ND STAGE HEATING SPEED			T3 - COOLING SPEED		T4 - COOLING SPEED		T5 - COOLING SPEED	
	CFM	WATTS	RISE	CFM	WATTS	RISE	CFM	WATTS	CFM	WATTS	CFM	WATTS
0.1	1098	167	51	1423	324	53	1164	180	1520	423	1628	493
0.2	1038	178	54	1375	335	55	1100	188	1475	432	1581	501
0.3	991	184	57	1322	347	57	1037	196	1430	439	1534	508
0.4	932	192	60	1275	347	59	974	204	1381	445	1486	515
0.5	871	204	65	1224	357	61	910	212	1331	452	1439	524
0.6	811	213	X	1172	364	64	847	220	1285	456	1392	527
0.7	753	210	X	1130	379	X	784	227	1236	467	1340	532
0.8	704	221	X	1075	384	X	720	235	1185	472	1290	537

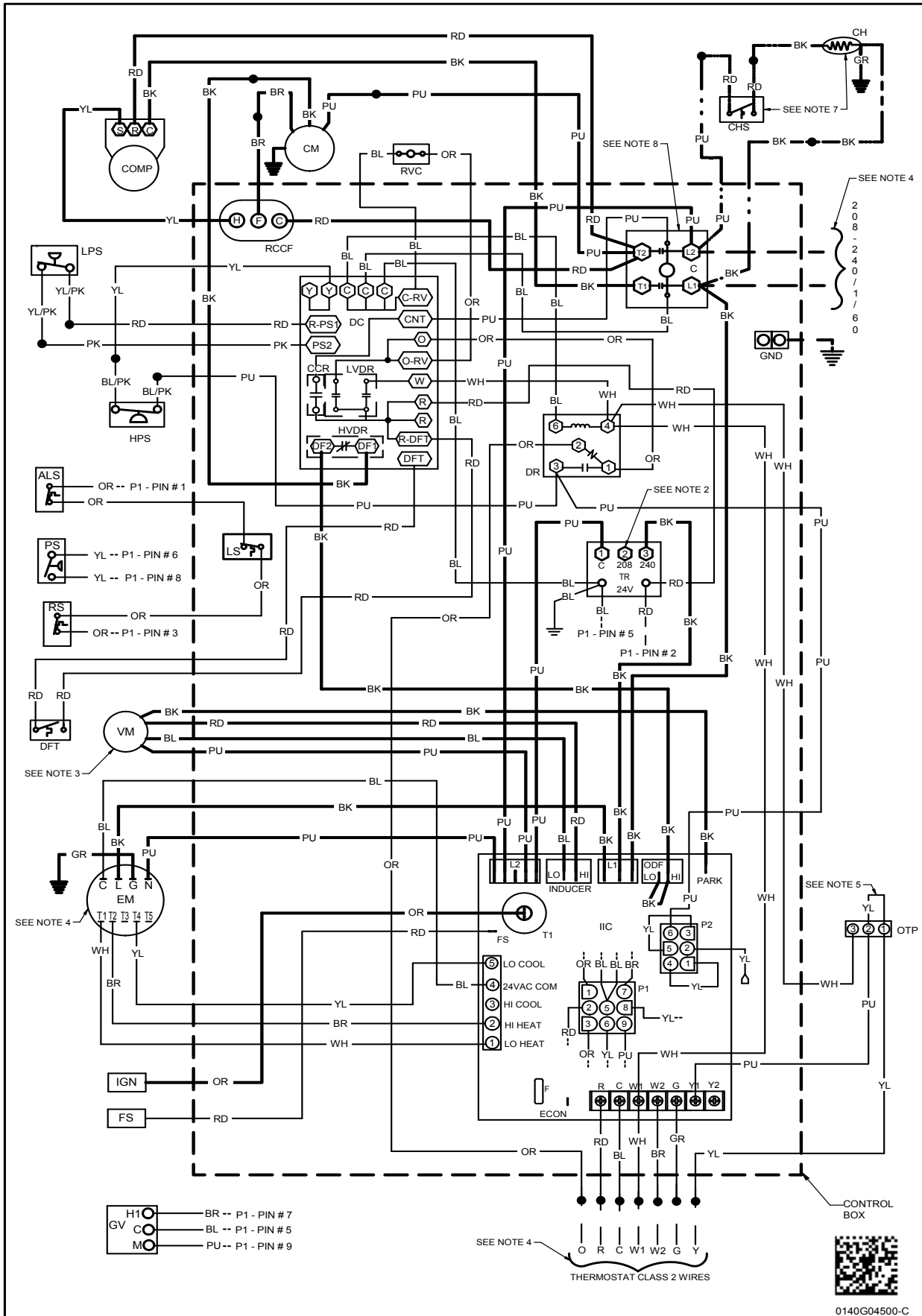




MODEL	UNIT DIMENSIONS (INCHES)				CHASSIS SIZE
			HEIGHT		
	W	D	A	B	
GPDM32406041	47	51	32	34 1/2	Medium
GPDM33008041	47	51	32	34 1/2	Medium
GPDM33608041	47	51	32	34 1/2	Medium
GPDM34210041	47	51	40	42 1/2	Large
GPDM34810041	47	51	40	42 1/2	Large



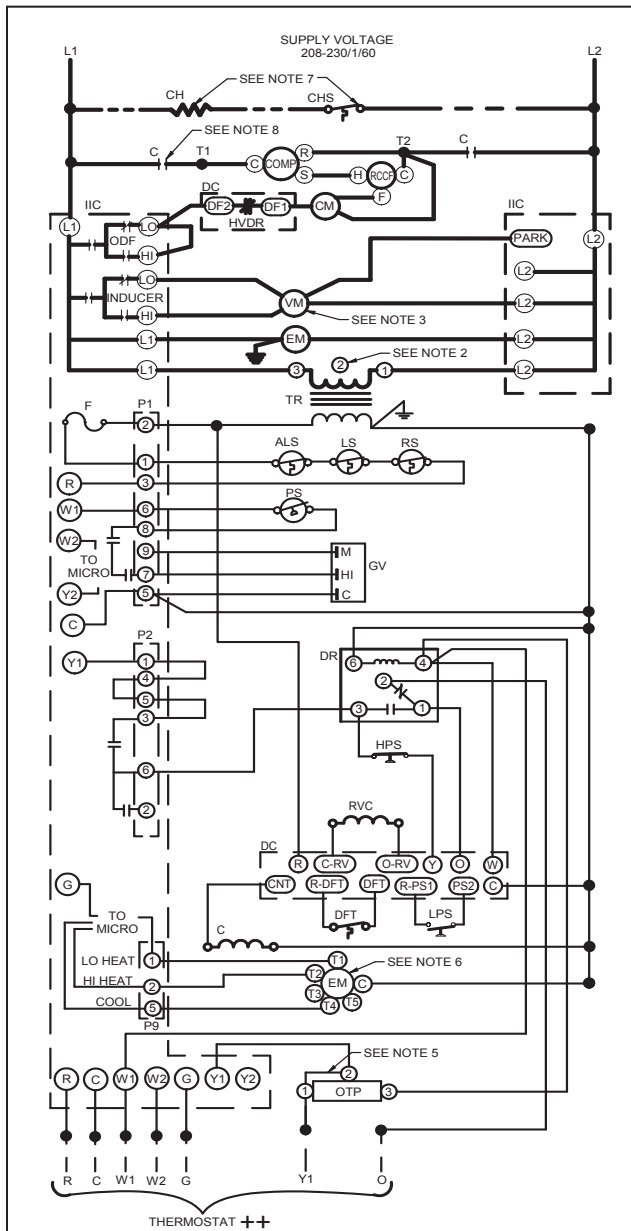
MODEL	DUCT OPENINGS			
	SUPPLY		RETURN	
	W	H	W	H
GPDM32406041	16	16	16	16
GPDM33008041	16	16	16	16
GPDM33608041	16	16	16	16
GPDM34210041	16	18	16	18
GPDM34810041	16	18	16	18



**High Voltage:** Disconnect all power before servicing or installing this unit. Multiple power sources may be present. Failure to do so may cause property damage, personal injury, or death.

**WARNING**

Wiring is subject to change. Always refer to the wiring diagram or the unit for the most up-to-date wiring.



**COMPONENT LEGEND**

ALS	AUXILIARY LIMIT SWITCH		<b>FACTORY WIRING</b>
C	CONTACTOR	—	LINE VOLTAGE
CH	CRANKCASE HEATER	—	LOW VOLTAGE
CHS	CRANKCASE HEATER SWITCH	---	OPTIONAL HIGH VOLTAGE
CM	CONDENSER MOTOR		
COMP	COMPRESSOR		
DC	DEFROST CONTROL BOARD		
DFT	DEFROST THERMOSTAT		
DR	DEFROST RELAY		
EM	EVAPORATOR MOTOR		
F	FUSE		
FS	FLAME SENSOR		
GND	EQUIPMENT GROUND		
GV	GAS VALVE		
HPS	HIGH PRESSURE SWITCH		
IIC	INTEGRATED IGNITION CONTROL		
IGN	IGNITOR		
LPS	LOW PRESSURE SWITCH		
LS	LIMIT SWITCH		
OTP	OUTDOOR THERMOSTAT PLUG		
P1	9 PIN CONNECTOR PLUG		
P2	6 PIN CONNECTOR PLUG		
PS	PRESSURE SWITCH		
RCCF	RUN CAPACITOR COMPRESSOR / FAN		
RS	ROLLOUT SWITCH		
RVC	REVERSING VALVE COIL		
TR	TRANSFORMER		
VM	VENT MOTOR		

**NOTES**

- REPLACEMENT WIRE MUST BE THE SAME SIZE AND TYPE OF INSULATION AS ORIGINAL (AT LEAST 105°C). USE COPPER CONDUCTOR ONLY.
- FOR 208V TRANSFORMER OPERATION MOVE BLACK WIRE FROM TERMINAL 3 TO TERMINAL 2 ON TRANSFORMER.
- FOR 208V VENT MOTOR OPERATION, REMOVE BLUE LEAD FROM INDUCER LOW TERMINAL. MOVE BLACK LEAD FROM PARK TERMINAL TO INDUCER LOW TERMINAL, AND PLACE BLUE LEAD ON PARK.
- USE COPPER CONDUCTORS ONLY.  
++ USE NEC CLASS 2 WIRE.
- FOR OUTDOOR THERMOSTAT, REMOVE PLUG FROM HARNESS AND CONNECT PLUG FROM OUTDOOR THERMOSTAT TO HARNESS.
- TO CHANGE AIRFLOW MOVE YELLOW WIRE (COOLING / HEAT PUMP), WHITE WIRE (LOW STAGE GAS), OR BROWN WIRE (HIGH-STAGE GAS) TO SPEED TAP T1, T2, T3, T4, OR T5 AT EVAPORATOR MOTOR. REFER TO UNIT AIRFLOW TABLES FOR TO DETERMINE THE APPROPRIATE SPEED TAP FOR APPLICATION. UNITS SHIPPED WITH YELLOW, WHITE, AND BROWN ON T4, T1, AND T2 RESPECTIVELY.
- CRANKCASE HEATER AND CRANKCASE HEATER SWITCH FACTORY EQUIPPED WHEN REQUIRED.
- DOUBLE POLE CONTACTOR SHOWN. SINGLE POLE CONTACTOR COULD BE FACTORY EQUIPPED AS AN ALTERNATE CONFIGURATION.

JUNCTION		EQUIPMENT GROUND	
TERMINAL		FIELD GROUND	
INTERNAL TO INTEGRATED CONTROL		FIELD SPLICE	
PLUG CONNECTION		SWITCH (TEMP)	
IGNITER		OVERCURRENT PROT. DEVICE	
SWITCH (PRESS.)			

DIAGNOSTIC LED - RED	STATUS	CHECK
ON	NORMAL OPERATION	-
OFF	NO POWER OR INTERNAL CONTROL FAULT	CHECK INPUT POWER CHECK FUSE(S) REPLACE CONTROL
1 FLASH	IGNITION FAILURE	GAS FLOW GAS PRESSURE GAS VALVE FLAME SENSOR
2 FLASHES	PRESSURE SWITCH OPEN	CHECK PRESSURE SWITCH CHECK TUBING CHECK VENT MOTOR
3 FLASHES	PRESSURE SWITCH CLOSED WITHOUT INDUCER ON	CHECK PRESSURE SWITCH CHECK WIRING FOR SHORTS
4 FLASHES	OPEN LIMIT SWITCH	CHECK MAIN LIMIT SWITCH CHECK AUXILIARY LIMIT SW. CHECK ROLLOUT LIMIT SW.
5 FLASHES	FALSE FLAME DETECTED	CHECK GAS VALVE CHECK FOR SHORTS IN FLAME SENSOR WIRING
6 FLASHES	COMPR. SHORT CYCLE DELAY	3 MIN COMP. SHORT CYCLE DELAY

DIAGNOSTIC LED - RED	STATUS	CHECK
7 FLASHES	LIMIT OPEN 5 TIMES IN SAME CALL FOR HEAT	CHECK MAIN LIMIT SWITCH CHECK AUXILIARY LIMIT SW.
8 FLASHES	IDT/ODT OPEN	CHECK JUMPER BETWEEN 1 AND 4 ON 6-CIRCUIT CONNECTOR CHECK OPTIONAL REFRIGERANT SWITCHES
9 FLASHES	PSW/LOC OPEN	CHECK REFRIGERANT SWITCHES FOR LOSS OF CHARGE OR HIGH HEAD PRESSURE

DIAGNOSTIC LED - AMBER	STATUS	CHECK
OFF	NO FLAME PRESENT	-
ON	NORMAL FLAME PRESENT	-
1 FLASH	LOW FLAME SIGNAL	GAS FLOW GAS PRESSURE GAS VALVE FLAME SENSOR
2 FLASHES	FALSE FLAME DETECTED	CHECK GAS VALVE CHECK FOR SHORTS IN FLAME SENSOR WIRING



0140G04501-A

**High Voltage:** Disconnect all power before servicing or installing this unit. Multiple power sources may be present. Failure to do so may cause property damage, personal injury, or death.

**WARNING**

Wiring is subject to change. Always refer to the wiring diagram or the unit for the most up-to-date wiring.

ACCESSORY DESCRIPTION	ITEM NUMBER	
	MEDIUM CHASSIS	LARGE CHASSIS
Concentric Kit	CDK36	CDK4872
Downflow Economizer	PGEDJ101/102	PGEDJ103
Downflow Internal Filter Rack (with economizer)	DDNIFRPGMM	N/A (built into economizer)
Downflow Internal Filter Rack (no economizer)	DDNIFRPGA	DDNIFRPGA
Downflow Manual Damper	PGMDD101/102	PGMDD103
Downflow Motorized Damper	PGMDMD101/102	PGMDMD103
Downflow Square to Round	SQRPG101/102	SQRPG103
Economizer Wiring Harness	0259G00215	0259G00215
External Horizontal Filter Rack	DPHFRA	DPHFRA
Flue Extension Kit	FLHDKT-1	FLHDKT-1
High-Altitude Kit	HA-03	HA-03
Horizontal Duct Cover	20464501PDGK	20464502PDGK
Horizontal Economizer	DHZECNJPGCHM	DHZECNJPGCHL
Horizontal Manual Damper	PGMDH102	PGMDH103
Horizontal Motorized Damper	PGMDMH102	PGMDMH103
Horizontal Square to Round	SQRPGH101/102	SQRPGH103
Internal Horizontal Filter Rack	DHZIFRPGCHA	DHZIFRPGCHA
LP Conversion Kit	LPM-08	LPM-08
Outdoor Thermostat with Housing	OTDFPKG-01	OTDFPKG-01
Roof Curb	D14CRBPGCHMA	D14CRBPGCHMA