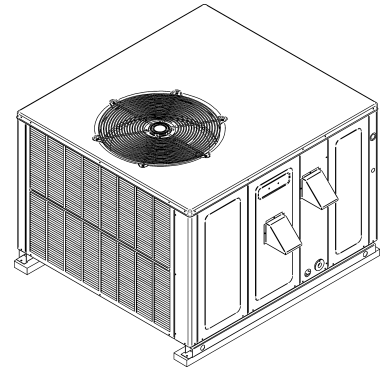

GPGM3 Residential Package Gas Unit

GPGM32404041AA
GPGM32406041AA
GPGM33004041AA
GPGM33006041AA
GPGM33604041AA
GPGM33606041AA
GPGM33608041AA
GPGM34206041AA
GPGM34208041AA
GPGM34806041AA
GPGM34808041AA
GPGM34810041AA
GPGM36108041AA
GPGM36110041AA
GPGM36112041AA



This manual is to be used by qualified technicians only.

© 2022 Goodman Manufacturing Company, L.P. ♦ 5151 San Felipe St, Suite 500 ♦ Houston, TX 77056

Important Information

Index

Functional Parts List	3
Illustration and Parts	4 - 13

Views shown are for parts illustrations only, not servicing procedures.

Text Codes:

AR - As Required

NA - Not Available

NS - Not Shown

00000000 - See Note

QTY - Quantity Example (QTY 3) (If Quantity not shown, Quantity = 1)

M - Model Example (M1) (If M Code not shown, then part is used on all Models)

Expanded Model Nomenclature:

Example M1 - Model#1 M2 - Model#2 M3 - Model#3

Goodman Manufacturing Company, L.P. is not responsible for personal injury or property damage resulting from improper service. Review all service information before beginning repairs.

Warranty service must be performed by an authorized technician, using authorized factory parts. If service is required after the warranty expires, Goodman Manufacturing Company, L.P. also recommends contacting an authorized technician and using authorized factory parts.

Goodman Manufacturing Company, L.P. reserves the right to discontinue, or change at any time, specifications or designs without notice or without incurring obligations.

For assistance within the U.S.A. contact:
Homeowner Support
Goodman Manufacturing Company, L.P.
19001 Kermier Road
Waller, Texas 77484
877-254-4729-Telephone
713-863-2382-Facsimile

For assistance outside the U.S.A. contact:
International Division
Goodman Manufacturing Company, L.P.
19001 Kermier Road
Waller, Texas 77484
713-861-2500-Telephone
713-863-2382-Facsimile

Functional Parts

Part

No: Description:

Part No:	Description:	Part No:	Description:
50N492ZV-ZAKM	2.0TONRECHI COMPR.4 LEGS (M1, M2)	0131G00147	PROGRAMMED CONTROLLER (M10, M11, M12)
0150G00003	BLADE, FAN 26 SWEPT WING (M5, M6, M7, M8, M9, M10, M11, M12, M13, M14, M15)	0131G00150	PROGRAMMED CONTROLLER (M14)
B1368000	BLOWER WHEEL (11 X 10) (M8, M9, M10, M11, M12, M13, M14, M15)	0131G00149	PROGRAMMED CONTROLLER (M13)
CAP100400440CT	CAP, 10/40 MFD, 440V/ DUAL RD (M10, M11, M12)	B1370751	RELAY 24V (M1, M2, M3, M4, M5, M6, M7, M8, M9, M10, M11, M12)
CAP100500440CT	CAP, 10/50 MFD/440V/DUAL RD (M13, M14, M15)	0130M00138	TRANSFORMER 208/230 24V
CAB050400440CT	CAP, 5/40 MFD/440V RD - BPRF (M3, M4)	B1368016	WHEEL, BLOWER, 10X8 (M1, M2, M3, M4)
CAB050450440CT	CAP, 5/45 MFD/440V RD - BPRF (M1, M2, M5, M6, M7, M8, M9)	D6723303	WHEEL-BLOWER (M5, M6, M7)
ZP25K5EPFV130	COMP,25200,208/230/60/1 (M3, M4)		
ZP29K5EPFV130	COMP,29000,208/230/60/1 (M5, M6, M7)		
ZP34K5EPFV130	COMP,34500,208/230/60/1 (M8, M9)		
ZPS49K7EPFV130	COMPRESSOR, 45300,208/230/60/1 (M13, M14, M15)		
ZP40K7EPFV130	COMPRESSOR, COPELAND (M10, M11, M12)		
CONT1P030024V	CONT, 1 POLE, 30 AMP, 24 VAC (M1, M2, M3, M4, M5, M6, M7, M8, M9, M10, M11, M12)		
CONT2P040024V	CONT, 2 POLE, 40 AMP, 24 VAC (M13, M14, M15)		
0131M00749M	CONTROLLERLESS MOTOR (M13, M14, M15)		
0131M00747M	CONTROLLERLESS MOTOR (M8, M9, M10, M11, M12)		
0131M00750M	CONTROLLERLESS MOTOR (M1, M2, M3, M4, M5, M6, M7)		
0150G00002	FAN BLADE SWP/W (M3, M4)		
0150M00008	FAN BLADE, 22" TNT2203-25 (M1, M2)		
0130F00010	FLAME SENSOR		
0151M00037	GAS VALVE (M1, M2, M3, M4, M5, M6, M7, M8, M9, M10, M11, M12)		
0151F00000P	GAS VALVE (M13, M14, M15)		
0130M00074	HIGH PRESSURE SWITCH		
0130F00014	IGNITOR		
10728342	LIMIT SWITCH (M1, M2, M3, M4, M5, M6, M7)		
10728343	LIMIT SWITCH (M13, M14, M15)		
10728344	LIMIT SWITCH (M8, M9, M10, M11, M12)		
10123532	LIMIT-RESET MAN-GRAY (M1, M2, M3, M4, M5, M6, M7, M8, M9, M10, M11, M12)		
10123529	LIMIT-RESET MAN-GREEN (M13, M14, M15)		
0130M00087	LOW PRESSURE SWITCH (M13, M14, M15)		
0131M00430	MOTOR, 1/3 HP, 1 SP, 6 PL (M10, M11, M12, M13, M14, M15)		
0131M00847	MOTOR, 1/4 HP, 1 SP, 6 PL (M3, M4, M5, M6, M7, M8, M9)		
0131M00979	MOTOR, 1/6 HP, 1SP, 8PL,AL (M1, M2)		
0131G00001	MOTOR, ID BLOWER (M13, M14, M15)		
0131G00000P	MOTOR, ID BLOWER (M1, M2, M3, M4, M5, M6, M7, M8, M9, M10, M11, M12)		
PCBAG127	PCB, IGNITION, DSI, 2 STG (M13, M14, M15)		
PCBAG123	PCB, IGNITION, DSI, INTEG (M1, M2, M3, M4, M5, M6, M7, M8, M9, M10, M11, M12)		
11112501	PRESSURE SWITCH		
0131G00142	PROGRAMMED CONTROLLER (M5, M6, M7)		
0131G00151	PROGRAMMED CONTROLLER (M15)		
0131G00138	PROGRAMMED CONTROLLER (M1, M2)		
0131G00140	PROGRAMMED CONTROLLER (M3, M4)		
0131G00145	PROGRAMMED CONTROLLER (M8, M9)		

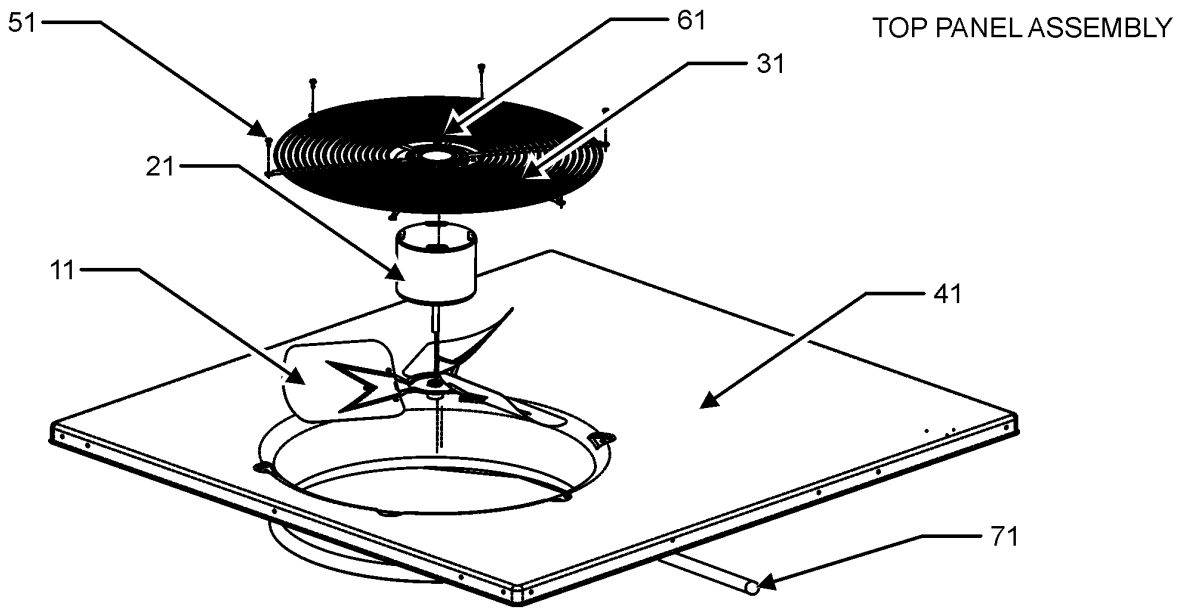
SPECIAL PARTS

TP-109B	AL COIL-APPROVED CLEANING LIST
PWGMFG	GOODMAN PRODUCT WARRANTY
HI-116G	HOMEOWNERS MANUAL
IOG-3024	INSTALLATION INSTRUCTIONS

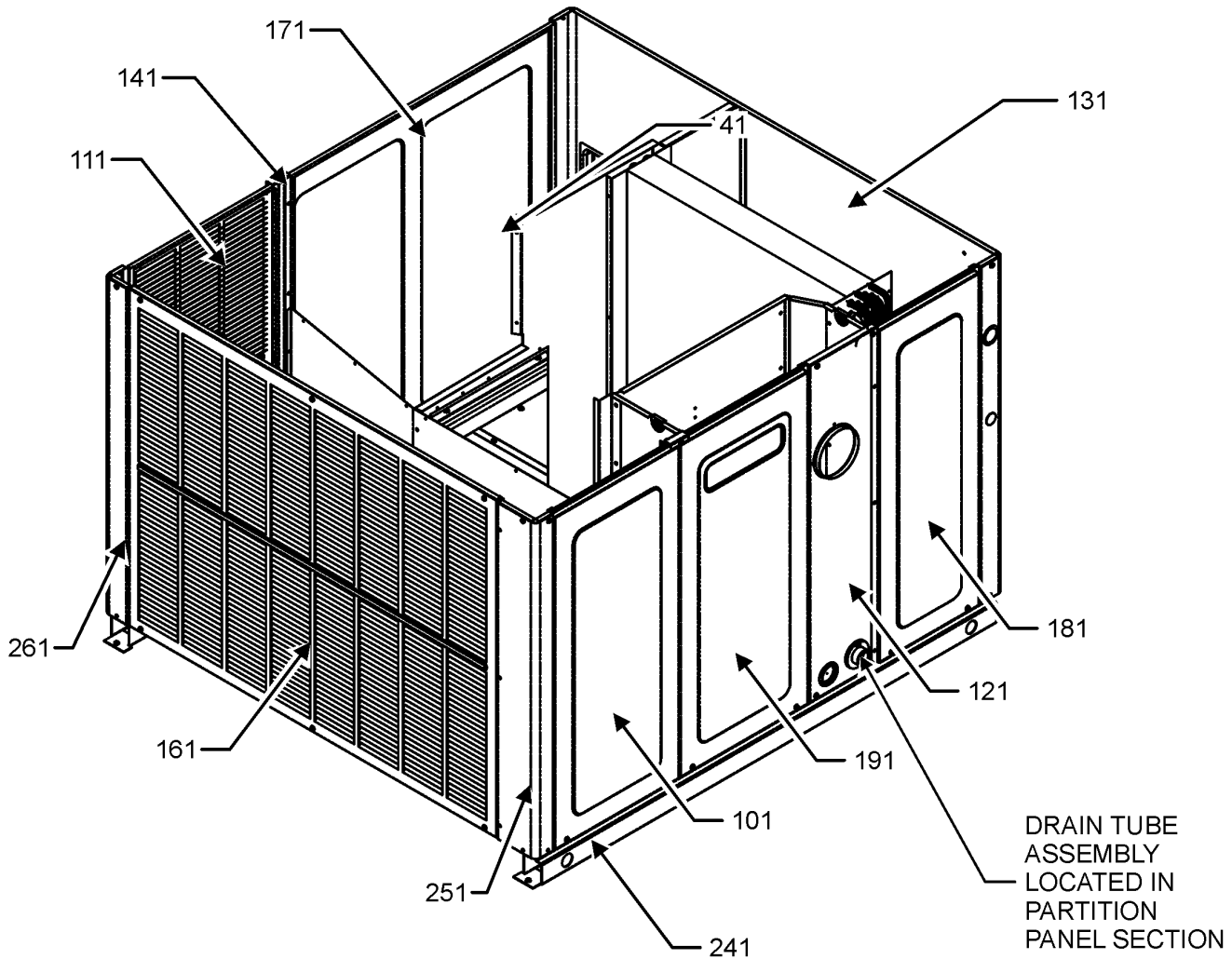
Expanded Model Nomenclature

M1 - GPGM32404041AA
M2 - GPGM32406041AA
M3 - GPGM33004041AA
M4 - GPGM33006041AA
M5 - GPGM33604041AA
M6 - GPGM33606041AA
M7 - GPGM33608041AA
M8 - GPGM34206041AA
M9 - GPGM34208041AA
M10 - GPGM34806041AA
M11 - GPGM34808041AA
M12 - GPGM34810041AA
M13 - GPGM36108041AA
M14 - GPGM36110041AA
M15 - GPGM36112041AA

Top Panel and Cabinet Assembly



CABINET ASSEMBLY

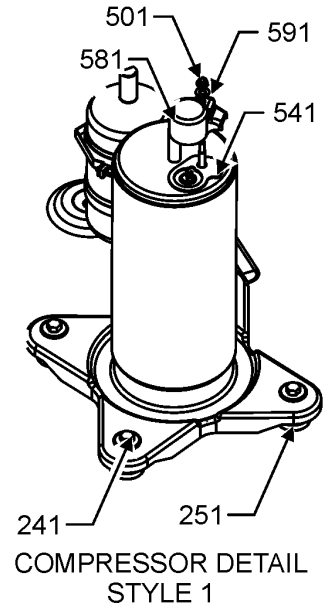
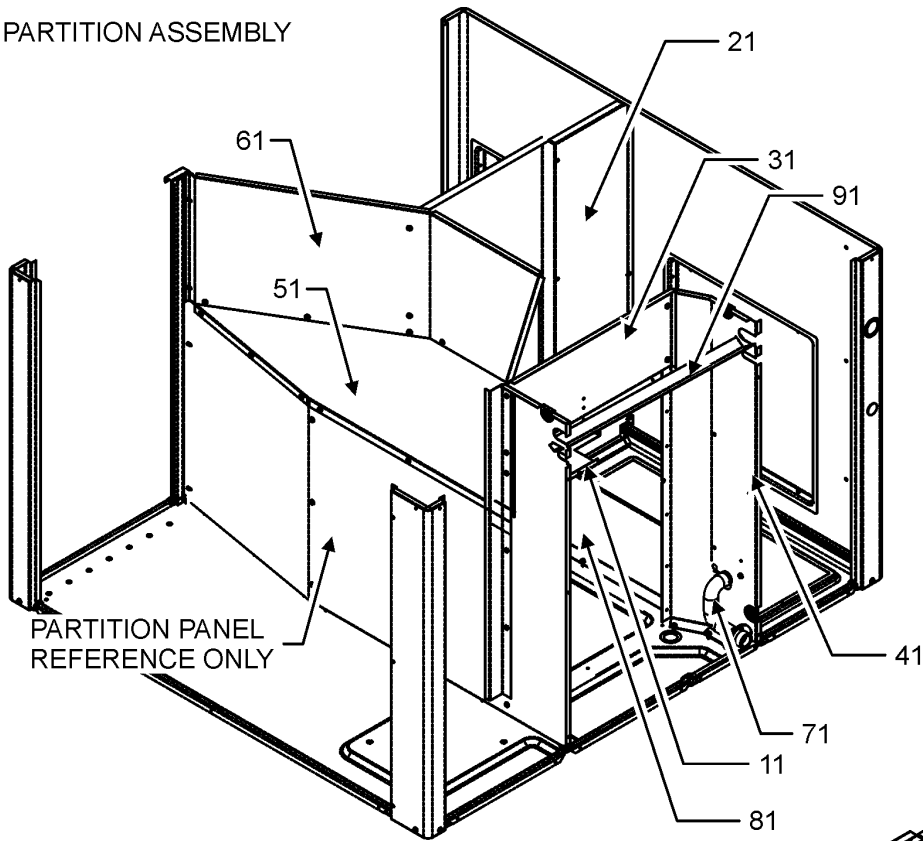


Top Panel and Cabinet Assembly

Ref. Part No:	Ref. Part No:	Description:	Description:
Image 1:		Image 1:	
11	0150G00003	BLADE, FAN 26 SWEEP WING (M5, M6, M7, M8, M9, M10, M11, M12, M13, M14, M15)	241 0121G00290 RAIL, BASEPAN, PKG (QTY 2)
11	0150G00002	FAN BLADE SWP/W (M3, M4)	251 0121G00453DG CORNER-POST COMP END, PNT (M5, M6, M7)
11	0150M00008	FAN BLADE, 22" TNT2203-25 (M1, M2)	251 0121G00455DG CORNER-POST COMP END, PNT (M10, M11, M12, M13, M14, M15)
21	0131M00430	MOTOR, 1/3 HP, 1 SP, 6 PL (M10, M11, M12, M13, M14, M15)	251 20464201PDG CRNR POST-COMP END 32 W/PAINT (M1, M2, M3, M4)
21	0131M00847	MOTOR, 1/4 HP, 1 SP, 6 PL (M3, M4, M5, M6, M7, M8, M9)	251 20464202PDG CRNR POST-COMP END 40 W/PAINT (M8, M9)
21	0131M00979	MOTOR, 1/6 HP, 1SP, 8PL,AL (M1, M2)	261 0121G00454DG CORNER-POST HPIN END, PNT (M1, M2, M3, M4, M5, M6, M7)
31	0152G00000	FAN GRILLE, RAISED (M3, M4)	261 0121G00456DG CORNER-POST HPIN END, PNT (M8, M9, M10, M11, M12, M13, M14, M15)
31	0152G00003	GRILLE-FAN (M1, M2, M5, M6, M7, M8, M9, M10, M11, M12, M13, M14, M15)	NS TP-109B AL COIL-APPROVED CLEANING LIST
41	0121G00887PDG	PNL, TOP, PNT	NS 0270G00500 FLUE HOOD ASSY
51	M0221817	SMALL SCREW (QTY 6)	NS PWGMFG GOODMAN PRODUCT WARRANTY
61	0163M00006P	ACORN NUT 5/16 HEX BLACK (QTY 4)	NS HI-116G HOMEOWNERS MANUAL
71	0161R00002P	CONDUIT	NS IOG-3024 INSTALLATION INSTRUCTIONS
101	20464804PDG	DOOR-COMPRESSOR 38 (M1, M2, M3, M4, M5, M6, M7)	Expanded Model Nomenclature
101	20464809PDG	DOOR-COMPRESSOR 40 W/PAINT (M8, M9, M10, M11, M12, M13, M14, M15)	M1 - GPGM32404041AA
111	20467701PDG	PANEL - COND SIDE 32 W/PAINT (M1, M2, M3, M4, M5, M6, M7)	M2 - GPGM32406041AA
111	20467702PDG	PANEL - COND SIDE 40 W/PAINT (M8, M9, M10, M11, M12, M13, M14, M15)	M3 - GPGM33004041AA
121	20466101PDG	UTILITY PANEL 32 W/PAINT (M1, M2, M3, M4, M5, M6, M7)	M4 - GPGM33006041AA
121	20466102PDG	UTILITY PANEL 40 W/PAINT (M8, M9, M10, M11, M12, M13, M14, M15)	M5 - GPGM33604041AA
131	0121G00917DG	PANEL, DUCT, 40" PNT-DG (M8, M9, M10, M11, M12, M13, M14, M15)	M6 - GPGM33606041AA
131	0121G00802DG	PNL, DUCT, GAS 32.5" PNT (M1, M2, M3, M4, M5, M6, M7)	M7 - GPGM33608041AA
141	0121G00460	POST-SUPPORT, SIDE (M1, M2, M3, M4, M5, M6, M7)	M8 - GPGM34206041AA
141	0121G00615	POST-SUPPORT, SIDE 40 (M8, M9, M10, M11, M12, M13, M14, M15)	M9 - GPGM34208041AA
161	0121G00728DG	PANEL-COND LOUVERED 32 (M1, M2, M3, M4, M5, M6, M7)	M10 - GPGM34806041AA
161	0121G00729DG	PANEL-COND LOUVERED 40 (M8, M9, M10, M11, M12, M13, M14, M15)	M11 - GPGM34808041AA
171	20464801PDG	DOOR - BLOWER 32 W/PAINT (M1, M2, M3, M4, M5, M6, M7)	M12 - GPGM34810041AA
171	20464806PDG	DOOR - BLOWER 40 W/PAINT (M8, M9, M10, M11, M12, M13, M14, M15)	M13 - GPGM36108041AA
181	20464802PDG	DOOR-EVAP/CONTROL 32 W/PAINT (M1, M2, M3, M4, M5, M6, M7)	M14 - GPGM36110041AA
181	20464807PDG	DOOR-EVAP/CONTROL 40 W/PAINT (M8, M9, M10, M11, M12, M13, M14, M15)	M15 - GPGM36112041AA
191	0121G00526DG	DOOR-HT EXCHANGE 32 (M1, M2, M3, M4, M5, M6, M7)	
191	0121G00527DG	DOOR-HT EXCHANGE 38 (M8, M9, M10, M11, M12, M13, M14, M15)	

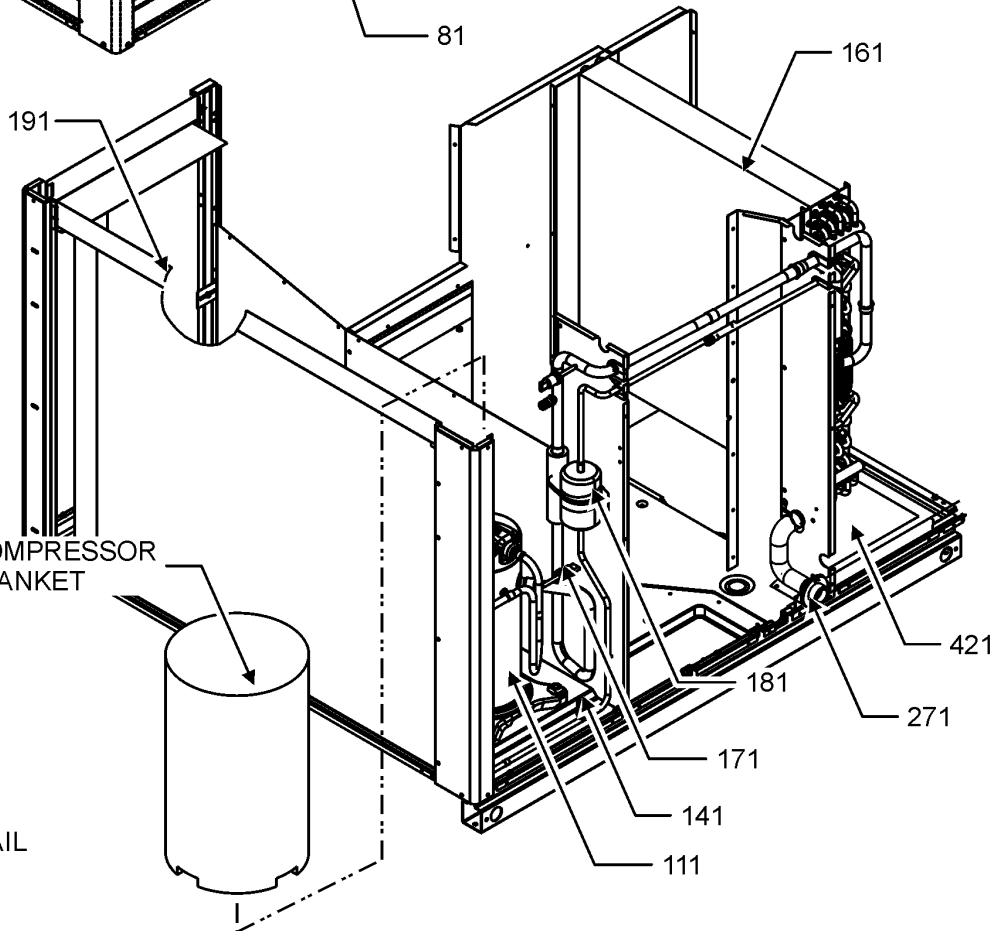
Partition and Tubing Assembly

PARTITION ASSEMBLY

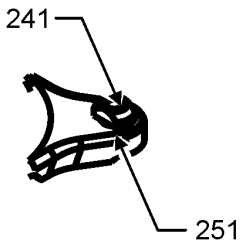


TUBING ASSEMBLY

TUBING ASSEMBLY
MAY DIFFER FROM
WHAT IS SHOWN



COMPRESSOR LEG DETAIL

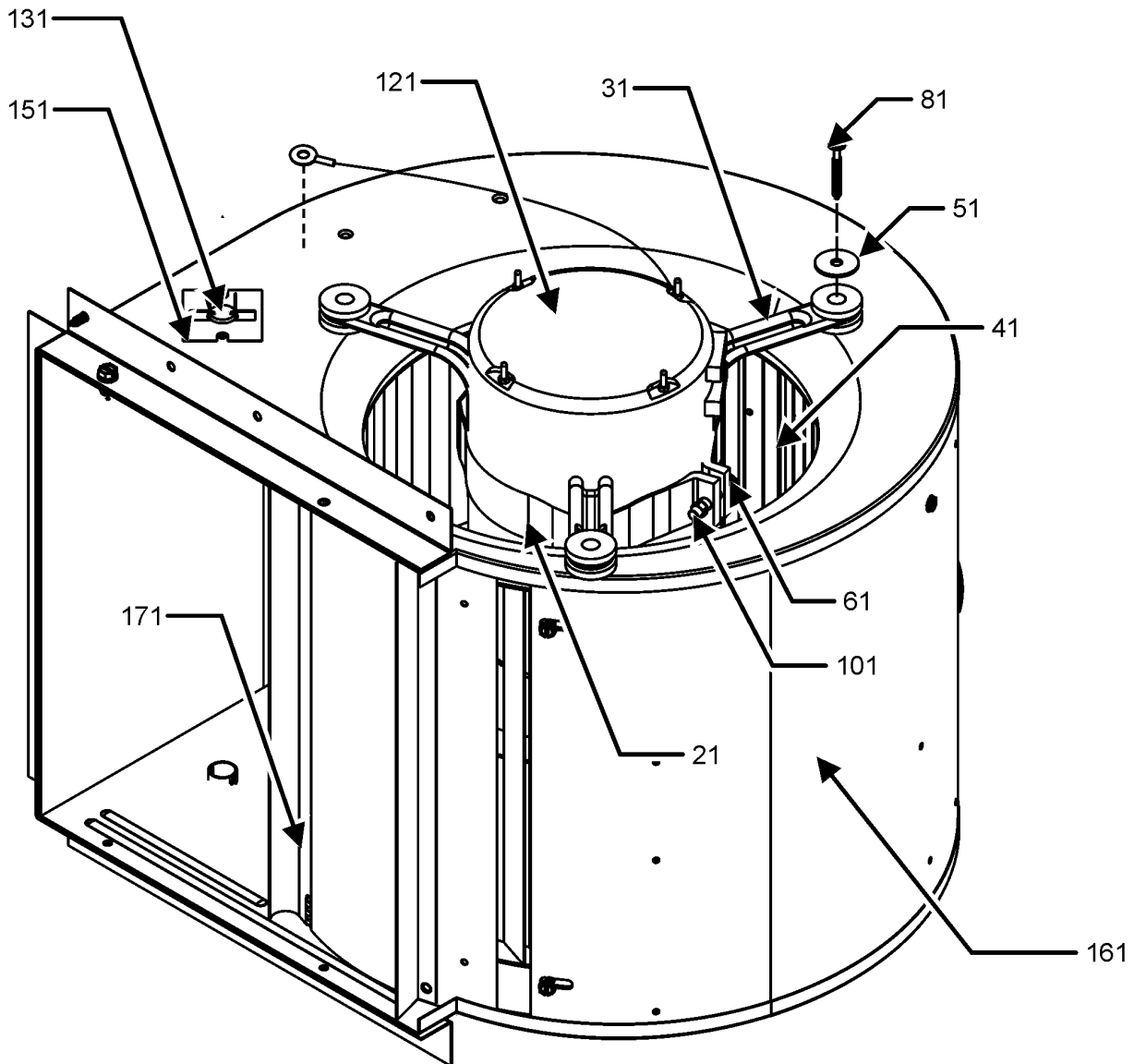


Partition and Tubing Assembly

Ref. Part No:	Ref. Part No:	Description:	Description:	
Image 1:		Image 1:		
11	20472501	SHIELD-HT TUBES	251 B1339533 COMPRESSOR GROMMET (M3, M4, M5, M6, M7, M8, M9, M10, M11, M12, M13, M14, M15)	
21	20465305	DIVIDER-BLOWER (M1, M2, M3, M4)	251 60140209 GROMMET - RECHI COMPRESSOR (M1, M2)	
21	20465304	DIVIDER-BLOWER 32 10X9 (M5, M6, M7)	271 20513001 EVAP DRAIN FITTING	
21	20465302	DIVIDER-BLOWER 38 (M8, M9, M10, M11, M12, M13, M14, M15)	421 20464901DF DRAIN PAN-EVAP COIL	
31	0121G00894	PANEL FILLER HT EXCH 32 (M1, M2, M3, M4, M5, M6, M7)	501 60100401 TERMINAL NUT - RECHI COMP (M1, M2)	
31	0121G00895	PANEL FILLER HT EXCH 40 (M8, M9, M10, M11, M12, M13, M14, M15)	541 60100107 TERMINAL COVER GASKET (M1, M2)	
41	0121G00757	DIVIDER, EVAP/HT EXCH 32 (M1, M2, M3, M4, M5, M6, M7)	581 60100317 TERMINAL COVER (M1, M2)	
41	0121G00758	DIVIDER, EVAP/HT EXCH 38 (M8, M9, M10, M11, M12, M13, M14, M15)	591 60100201 WASHER - RECHI COMPRESSOR (M1, M2)	
51	20465701	FAN PARTITION SHELF	NS B1373311 ACCESS VALVE FITTING (M13, M14, M15)	
61	20465801	SURROUND-FAN 32 (M1, M2, M3, M4, M5, M6, M7)	NS 0163M00175 CAP WITH O-RING (QTY 2)	
61	20465802	SURROUND-FAN 40 (M8, M9, M10, M11, M12, M13, M14, M15)	NS 0164M00111 GROMMET D (M13, M14, M15)	
71	20498302	TUBE-DRAIN 32 (M1, M2, M3, M4, M5, M6, M7)	NS 0164M00023 GROMMET-HORSESHOE (M10, M11, M12, M13, M14, M15)	
71	20498301	TUBE-DRAIN 40 (M8, M9, M10, M11, M12, M13, M14, M15)	NS 0164M00110 GROMMET-HORSESHOE (M1, M2, M3, M4, M5, M6, M7, M8, M9)	
81	20463802	BLOCK-EVAP/BPAN 32 (M1, M2, M3, M4, M5, M6, M7)	NS 20333401 GROMMET-HORSESHOE	
81	20463801	BLOCK-EVAP/BPAN 40 (M8, M9, M10, M11, M12, M13, M14, M15)	NS 20333501 GROMMET-HORSESHOE	
91	0121G00555	DRAIN CHANNEL, SUCTION TUBE	NS 20477501 GROMMET-HORSESHOE	
111	50N492ZV-ZAKM	2.0TONRECHI COMPR.4 LEGS (M1, M2)	NS 0159G00005 HARNESS-COMP SCROLL (M13, M14, M15)	
111	ZP25K5EPFV130	COMP,25200,208/230/60/1 (M3, M4)	NS 0159G00014 HARNESS-COMP SCROLL (M3, M4, M5, M6, M7)	
111	ZP29K5EPFV130	COMP,29000,208/230/60/1 (M5, M6, M7)	NS 0159G00015 HARNESS-COMP SCROLL (M8, M9, M10, M11, M12, M13, M14, M15)	
111	ZP34K5EPFV130	COMP,34500,208/230/60/1 (M8, M9)	NS B1810011 HOSE CLAMP 1.25 (QTY 2)	
111	ZPS49K7EPFV130	COMPRESSOR, 45300,208/230/60/1 (M13, M14, M15)	NS 0130M00087 LOW PRESSURE SWITCH (M13, M14, M15)	
111	ZP40K7EPFV130	COMPRESSOR, COPELAND (M10, M11, M12)	NS 0151M00075 VALVE-TXV R410A (M13, M14, M15)	
141	B1373315	ACCESS FITTING (QTY 2)	Expanded Model Nomenclature	
161	0202G00565	COIL TUBING ASSY (M1, M2)	M1 - GPGM32404041AA	
161	0202G00566	COIL TUBING ASSY (M3, M4)	M2 - GPGM32406041AA	
161	0202G00722	COIL TUBING ASSY (M13, M14, M15)	M3 - GPGM33004041AA	
161	0202G00746	COIL TUBING ASSY (M5, M6, M7)	M4 - GPGM33006041AA	
161	0202G00747	COIL TUBING ASSY (M8, M9)	M5 - GPGM33604041AA	
161	0202G00748	COIL TUBING ASSY (M10, M11, M12)	M6 - GPGM33606041AA	
171	0130M00074	HIGH PRESSURE SWITCH	M7 - GPGM33608041AA	
181	0162G00007	SINGLE-FLOW FILTER DRIER,STL (M5, M6, M7, M8, M9, M10, M11, M12, M13, M14, M15)	M8 - GPGM34206041AA	
181	0162G00008	SINGLE-FLOW FILTER DRIER,STL (M1, M2, M3, M4)	M9 - GPGM34208041AA	
191	0201G00369	ASSY., CONDENSER COIL (M10, M11, M12, M13, M14, M15)	M10 - GPGM34806041AA	
191	0201G00463	COND COIL ASSY (M8, M9)	M11 - GPGM34808041AA	
191	0201G00142	COND COIL TUBING ASSY (M1, M2, M3, M4)	M12 - GPGM34810041AA	
191	0201G00262	CONDENSER COIL ASSY (M5, M6, M7)	M13 - GPGM36108041AA	
241	0163M00186	SCREW-SHOULDER TF (M1, M2)	M14 - GPGM36110041AA	
241	M0221641	SCREW-SHOULDER TF (M3, M4, M5, M6, M7, M8, M9, M10, M11, M12, M13, M14, M15)	M15 - GPGM36112041AA	

Blower Assembly

BLOWER ASSEMBLY



BLOWER ASSEMBLY MAY DIFFER FROM WHAT IS SHOWN

Blower Assembly

Ref. Part No:	Ref. Part No:	Description:	Description:
Image 1:			
21	0121M00038	MOTOR MOUNT BAND	
31	B1376857	MOTOR MOUNT ARM (QTY 3)	
41	B1368000	BLOWER WHEEL (11 X 10) (M8, M9, M10, M11, M12, M13, M14, M15)	
41	B1368016	WHEEL, BLOWER, 10X8 (M1, M2, M3, M4)	
41	D6723303	WHEEL-BLOWER (M5, M6, M7)	
51	B1392918	WASHER FLAT 1/4 ID X 1 OD (QTY 3)	
61	B1393323	SCREW,MACHI HWH 1/4-20X1 1/2 BZ	
81	M0250565	TC SCREW 1.25" (QTY 3)	
101	B1393800	LOCKNUT, NYLON, INSERT 1/4, 20	
121	0131M00747M	CONTROLLERLESS MOTOR (M8, M9, M10, M11, M12)	
121	0131M00749M	CONTROLLERLESS MOTOR (M13, M14, M15)	
121	0131M00750M	CONTROLLERLESS MOTOR (M1, M2, M3, M4, M5, M6, M7)	
121	0131G00138	PROGRAMMED CONTROLLER (M1, M2)	
121	0131G00140	PROGRAMMED CONTROLLER (M3, M4)	
121	0131G00142	PROGRAMMED CONTROLLER (M5, M6, M7)	
121	0131G00145	PROGRAMMED CONTROLLER (M8, M9)	
121	0131G00147	PROGRAMMED CONTROLLER (M10, M11, M12)	
121	0131G00149	PROGRAMMED CONTROLLER (M13)	
121	0131G00150	PROGRAMMED CONTROLLER (M14)	
121	0131G00151	PROGRAMMED CONTROLLER (M15)	
131	20269903	LIMIT	
151	2509503	BRACKET F/ROLLOUT SWUT SWITCH	
161	0271G00025	BLOWER HOUSING ASSY (10X8) (M1, M2, M3, M4)	
161	0271G00024	BLOWER HOUSING ASSY (10X9) (M5, M6, M7)	
161	2539309	BLOWER HOUSING ASSY (11X10) (M8, M9, M10, M11, M12, M13, M14, M15)	
171	764742	BLOCK OFF - BLOWER (M5, M6, M7)	
171	1864703	BLOWER CUT-OFF ASM,5TON,MORRIS (M8, M9, M10, M11, M12, M13, M14, M15)	
171	764740	BLWR BLK-OFF,10X8 (M1, M2, M3, M4)	
NS	0121G00148	SINGLE COVER, DOWN DISCHARGE (QTY 2)	

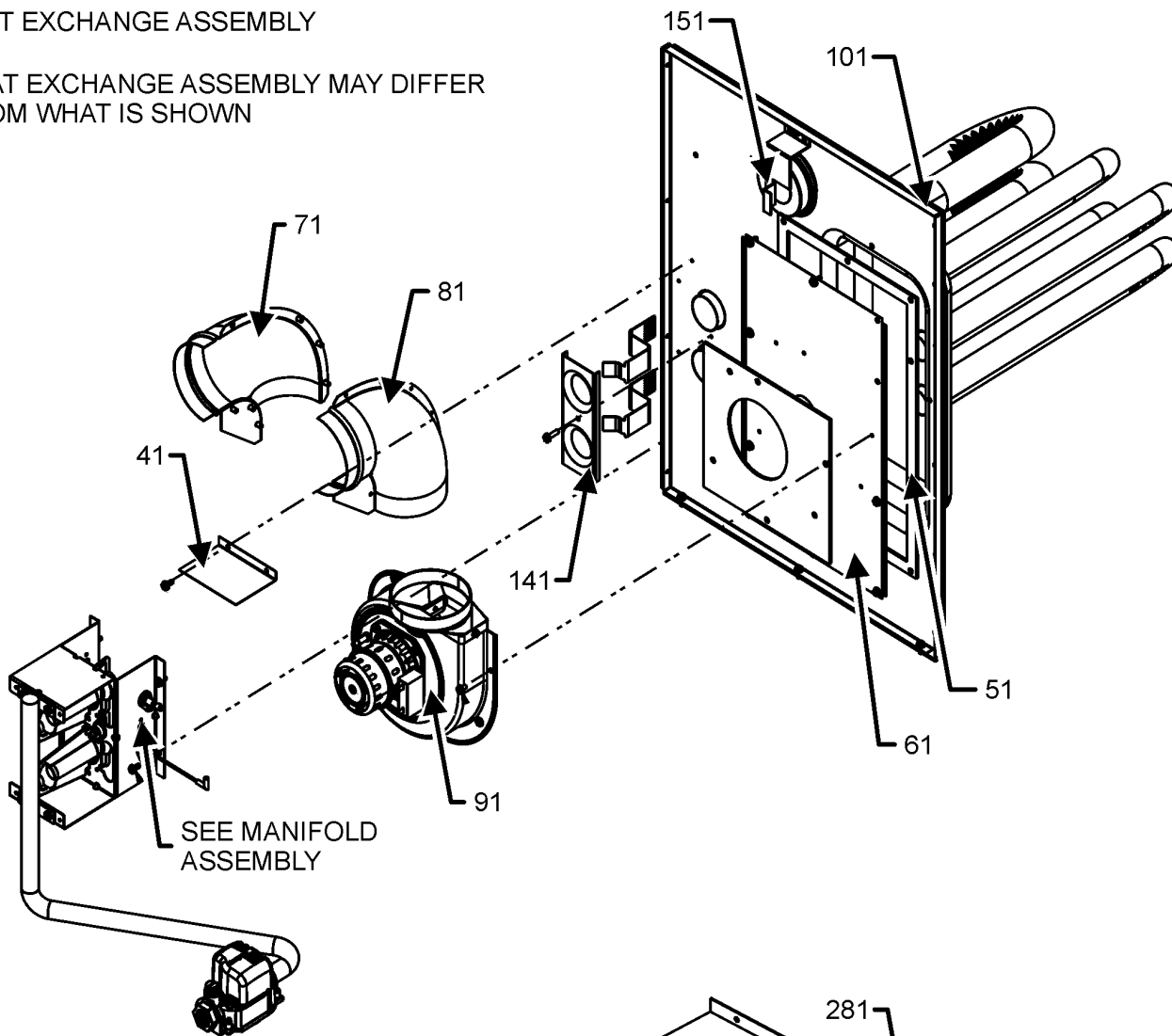
Expanded Model Nomenclature

M1 - GPGM32404041AA
M2 - GPGM32406041AA
M3 - GPGM33004041AA
M4 - GPGM33006041AA
M5 - GPGM33604041AA
M6 - GPGM33606041AA
M7 - GPGM33608041AA
M8 - GPGM34206041AA
M9 - GPGM34208041AA
M10 - GPGM34806041AA
M11 - GPGM34808041AA
M12 - GPGM34810041AA
M13 - GPGM36108041AA
M14 - GPGM36110041AA
M15 - GPGM36112041AA

Heat Exchange and Manifold Assembly

HEAT EXCHANGE ASSEMBLY

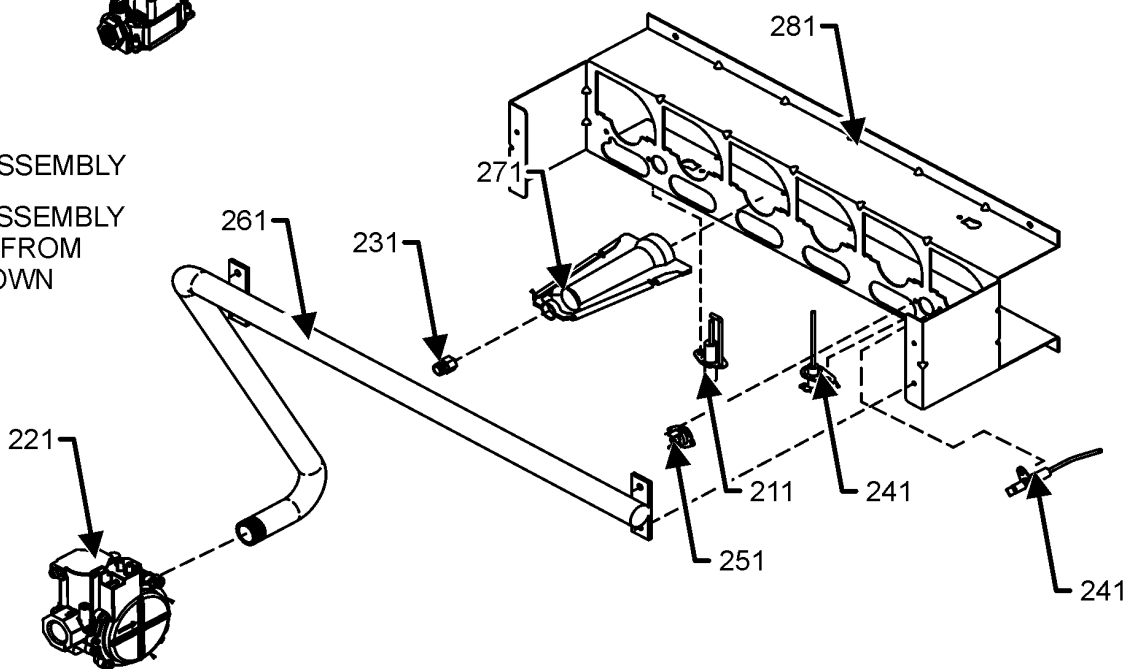
HEAT EXCHANGE ASSEMBLY MAY DIFFER FROM WHAT IS SHOWN



SEE MANIFOLD ASSEMBLY

MANIFOLD ASSEMBLY

MANIFOLD ASSEMBLY MAY DIFFER FROM WHAT IS SHOWN

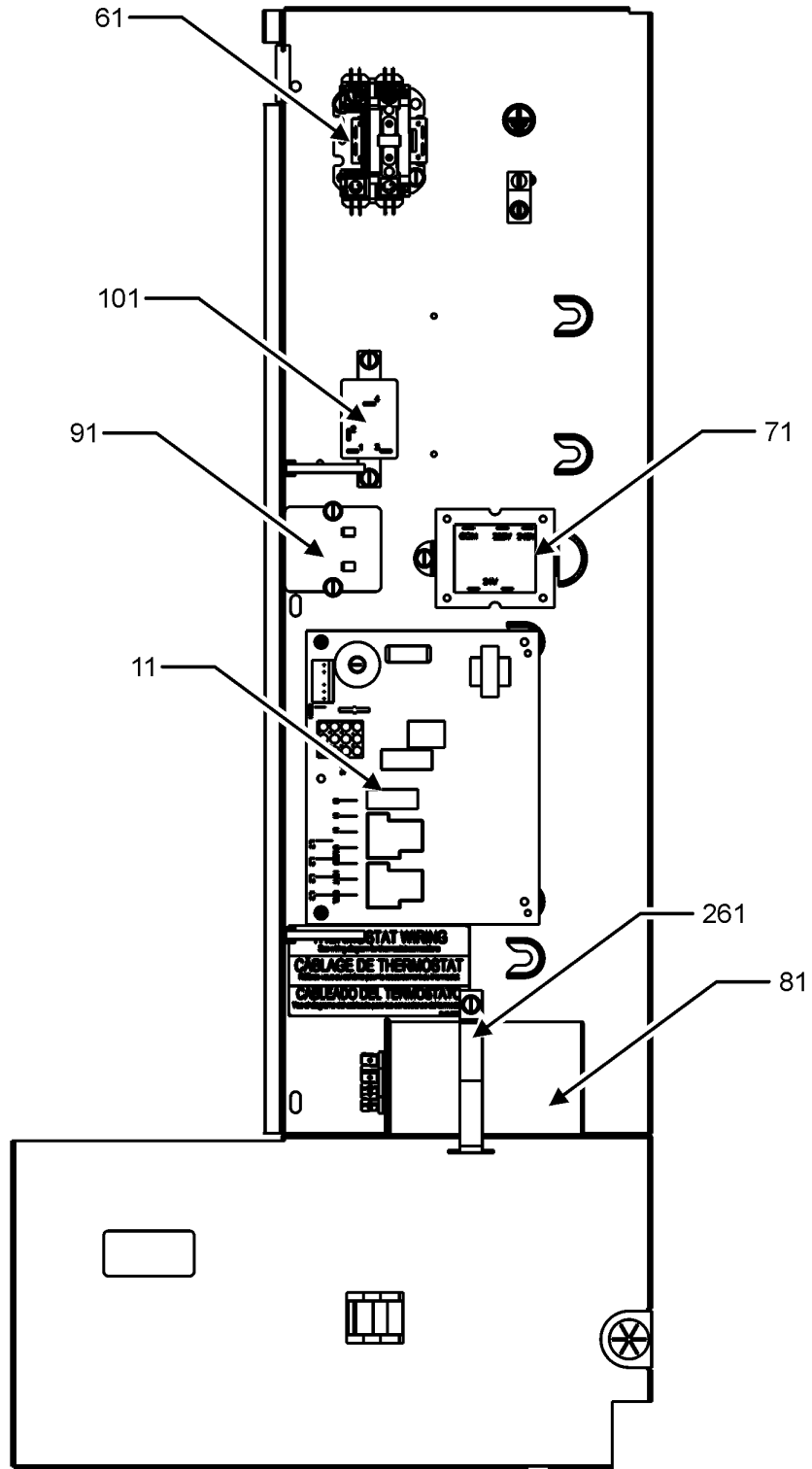


Heat Exchange and Manifold Assembly

Ref. Part No:	Ref. Part No:	Description:	Description:
Image 1:		Expanded Model Nomenclature	
41	11190202	DEFLECTOR HEAT PKG	M1 - GPGM32404041AA
51	0154G00020	GASKET-ID BLOWER & PLATE (M1, M2, M3, M4, M5, M6, M7)	M2 - GPGM32406041AA
51	0154G00021	GASKET-ID BLOWER & PLATE (M8, M9, M10, M11, M12, M13, M14, M15)	M3 - GPGM33004041AA
61	0121G00739	PLATE-ID BLOWER (M1, M3, M5)	M4 - GPGM33006041AA
61	0121G00740	PLATE-ID BLOWER (M2, M4, M6)	M5 - GPGM33604041AA
61	0121G00741	PLATE-ID BLOWER (M7)	M6 - GPGM33606041AA
61	0121G00742	PLATE-ID BLOWER (M12)	M7 - GPGM33608041AA
61	0121G00743	PLATE-ID BLOWER (M14)	M8 - GPGM34206041AA
61	0121G00744	PLATE-ID BLOWER (M8, M10)	M9 - GPGM34208041AA
61	0121G00745	PLATE-ID BLOWER (M9, M11, M13)	M10 - GPGM34806041AA
61	0121G00746	PLATE-ID BLOWER (M15)	M11 - GPGM34808041AA
71	20484401	FLUE ELBOW LEFT	M12 - GPGM34810041AA
81	20484402	FLUE ELBOW RIGHT	M13 - GPGM36108041AA
91	0131G00000P	MOTOR, ID BLOWER (M1, M2, M3, M4, M5, M6, M7, M8, M9, M10, M11, M12)	M14 - GPGM36110041AA
91	0131G00001	MOTOR, ID BLOWER (M13, M14, M15)	M15 - GPGM36112041AA
101	20490714	ASSY, PART/TUBE (M1, M3, M5)	
101	20490716	ASSY, PART/TUBE (M8, M10)	
101	20490707	PART/TUBE ASSY 3B (M2, M4, M6)	
101	20490703	PART/TUBE ASSY 4B (M7)	
101	20490704	PART/TUBE ASSY 4B (M9, M11, M13)	
101	20490705	PART/TUBE ASSY 5B (M12, M14)	
101	20490706	PART/TUBE ASSY 6B (M15)	
141	11072201	SHIELD-ORF CO FUR (M1, M3, M5)	
141	11072202	SHIELD-ORF CO FUR (M2, M4, M6, M8, M10)	
141	11072203	SHIELD-ORF CO FUR (M7, M9, M11, M13)	
141	11072204	SHIELD-ORF CO FUR (M12, M14)	
141	11072205	SHIELD-ORF CO FUR (M15)	
151	11112501	PRESSURE SWITCH	
211	0130F00014	IGNITOR	
221	0151F00000P	GAS VALVE (M13, M14, M15)	
221	0151M00037	GAS VALVE (M1, M2, M3, M4, M5, M6, M7, M8, M9, M10, M11, M12)	
231	10716005	ORIFICE (QTY 2)	
241	0130F00010	FLAME SENSOR	
251	10123532	LIMIT-RESET MAN-GRAY (M1, M2, M3, M4, M5, M6, M7, M8, M9, M10, M11, M12)	
251	10123529	LIMIT-RESET MAN-GREEN (M13, M14, M15)	
261	20493103	MANIFOLD- 3 BRNR 32 (M2, M4, M6)	
261	20493104	MANIFOLD- 4 BRNR 32 (M7)	
261	20493105	MANIFOLD- 4 BRNR 38 (M9, M11, M13)	
261	20493106	MANIFOLD- 5 BRNR 38 (M12, M14)	
261	20493107	MANIFOLD- 6 BRNR 38 (M15)	
261	0121M00035P	MANIFOLD-2 BURNER (M1, M3, M5)	
261	0121M00036P	MANIFOLD-3 BURNER (M8, M10)	
271	0163F00017	BECKETT BURNER (QTY 2)	
281	20190410	BRKT-BURNER 2B FUR (M1, M3, M5)	
281	0121L02164	BRKT-BURNER 3B FUR (M2, M4, M6, M8, M10)	
281	20190412	BRKT-BURNER 4B FUR (M7, M9, M11, M13)	
281	20190413	BRKT-BURNER 5B FUR (M12, M14)	
281	0121G00886	BURNER BRACKET, 6 (M15)	
NS	0154G00011	ELBOW FLUE GASKET	
NS	0154G00013	ELBOW FLUE GASKET	
NS	0270G00500	FLUE HOOD ASSY	

Control Panel

CONTROL BOX ASSEMBLY



CONTROL BOX ASSEMBLY
MAY DIFFER FROM WHAT
IS SHOWN

Control Panel

Ref. Part No:	Ref. Part No:	Description:	Description:
Image 1:			
11	PCBAG127	PCB, IGNITION, DSI, 2 STG (M13, M14, M15)	
11	PCBAG123	PCB, IGNITION, DSI, INTEG (M1, M2, M3, M4, M5, M6, M7, M8, M9, M10, M11, M12)	
61	CONT1P030024V	CONT, 1 POLE, 30 AMP, 24 VAC (M1, M2, M3, M4, M5, M6, M7, M8, M9, M10, M11, M12)	
61	CONT2P040024V	CONT, 2 POLE, 40 AMP, 24 VAC (M13, M14, M15)	
71	0130M00138	TRANSFORMER 208/230 24V	
81	CAP100400440CT	CAP, 10/40 MFD, 440V/ DUAL RD (M10, M11, M12)	
81	CAP100500440CT	CAP, 10/50 MFD/440V/DUAL RD (M13, M14, M15)	
81	CAB050400440CT	CAP, 5/40 MFD/440V RD - BPRF (M3, M4)	
81	CAB050450440CT	CAP, 5/45 MFD/440V RD - BPRF (M1, M2, M5, M6, M7, M8, M9)	
91	10728342	LIMIT SWITCH (M1, M2, M3, M4, M5, M6, M7)	
91	10728343	LIMIT SWITCH (M13, M14, M15)	
91	10728344	LIMIT SWITCH (M8, M9, M10, M11, M12)	
101	B1370751	RELAY 24V (M1, M2, M3, M4, M5, M6, M7, M8, M9, M10, M11, M12)	
261	20520901	STRAP-CAPACITOR	
NS	0259G00209	BLOWER-HARNESS, SM (M1, M2, M3, M4, M5, M6, M7)	
NS	0259G00252	COMPRESSOR HARNESS ASSY (M3, M4)	
NS	0259G00207	CONTROL HARNESS, SM (M1, M2, M3, M4, M5, M6, M7)	
NS	0259G00023	HARNESS, BLOWER (M8, M9, M10, M11, M12)	
NS	0259G00083	HARNESS-CONTROL (M8, M9, M10, M11, M12)	
NS	0259G00044	WIRE HARNESS-9 CIRCUIT (M13, M14, M15)	
NS	0259G00117	WIRE HARNESS-FAN (M13, M14, M15)	

Expanded Model Nomenclature

M1 - GPGM32404041AA
M2 - GPGM32406041AA
M3 - GPGM33004041AA
M4 - GPGM33006041AA
M5 - GPGM33604041AA
M6 - GPGM33606041AA
M7 - GPGM33608041AA
M8 - GPGM34206041AA
M9 - GPGM34208041AA
M10 - GPGM34806041AA
M11 - GPGM34808041AA
M12 - GPGM34810041AA
M13 - GPGM36108041AA
M14 - GPGM36110041AA
M15 - GPGM36112041AA