

Figure 1

For fan models: **SIG80, SIG80D, SIG80DL, SIG80H, SIG80HL, SIG80L, SIG80M, SIG80MLED, SIG110, SIG110D, SIG110H, SIG110L, SIG110M, SIG110HL, SIG110DL, SIG110LED, SIG80-110, SIG80-110D, SIG80-110H, SIG80-110MH, SIG80-110LED, SIG80-110DLED, SIG80-110HLED and SIG80-110MHLED.**

1. Install the radiation damper onto the inlet side of the fan so that the holes in the sleeve align with mounting holes on the fan using the four #10-32 x 1/2" long screws and 10-32 nuts provided with the damper assembly (general installation). The mounting flange of the fan should be aligned with the mounting flange of the damper assembly (refer to Figure 1).
2. For a damper used with a fan equipped with a grill light, route the wire from the grille through the notch on the damper frame. Use the supplied bracket to secure the wire to the damper frame. Attach the bracket to the frame using one of the supplied #8-18 screw (see Figure 3)
3. If the damper is to be used with a fan not equipped with a lighted grille, attach the same wire bracket (rotated 180°) to the frame using the supplied #8-18 screw as seen in Figure 2. Ensure that the bracket covers the notch in the frame.
4. Once the damper assembly is secured to the fan, turn it over so that the damper is at the bottom. The fan can now be installed by two methods. The first is by utilizing vertical

- hanger wires, minimum 12 SWG (2.7), attached to the damper sleeve (require one per side). The second is to use the suspension bracket assembly provided by the fan manufacture.
5. The penetration in the ceiling should be located within the ceiling tiles or panels without necessitating cuts in the ceiling suspension main runners or cross tees. If a cut is needed, a maximum of one runner or cross tee may be cut to enable proper damper location and installation. Each cut end shall be supported by a min 12 SWG (2.7) vertical hanger wire. The opening in the ceiling should be the same size as the outside of the damper frame.
 6. Position the damper and fan assembly such that the bottom edge of the damper is flush with the finished surface of the ceiling. Attach the damper and fan assembly to the structure above or adjacent to it. If the damper and fan are being attached to the assembly above, a minimum of 12 SWG (2.7) hanger wire must be used. A minimum of four hanger wires are required, one on each side. The hanger wires can be attached either to the damper sleeve or the fan housing as specified in the fan installation instructions.
 7. For other installation details see the Delta Breez Signature Installation Instructions.

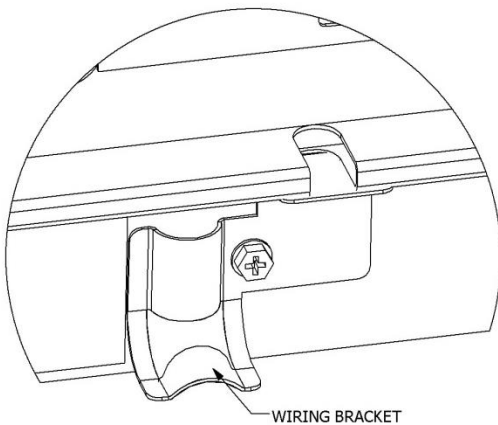


FIG. 2 - FAN WITHOUT LIGHT

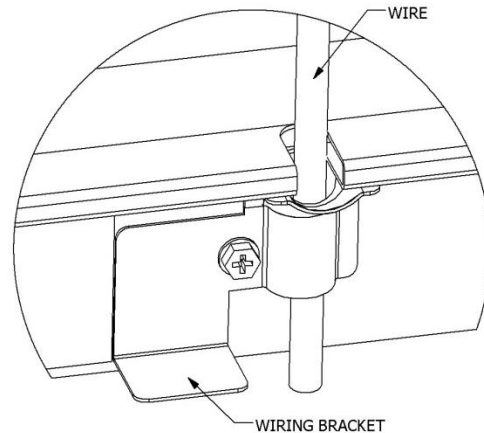


FIG. 3 - FAN WITH LIGHT

