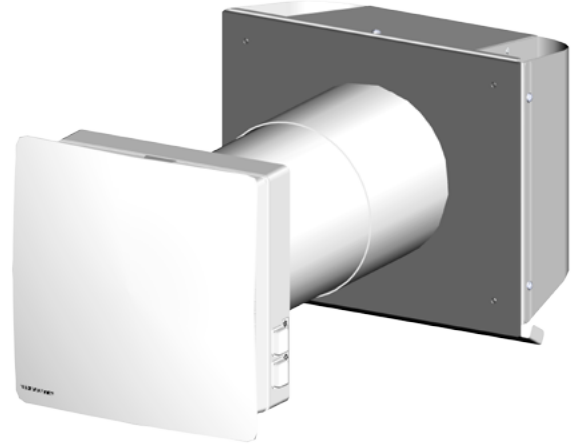


INSTALLATION GUIDE

SINGLE-ROOM REVERSIBLE ENERGY REGENERATION VENTILATOR TWINFRESH COMFO: RA1-50-2



INSTALLATION

Tools required



Pencil



Drill $\varnothing 6$ mm (1/4"), 40 mm (1 9/16")



Screwdriver



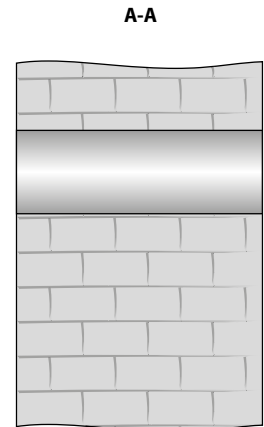
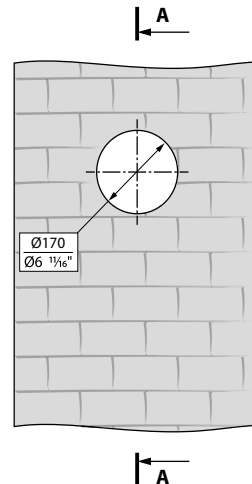
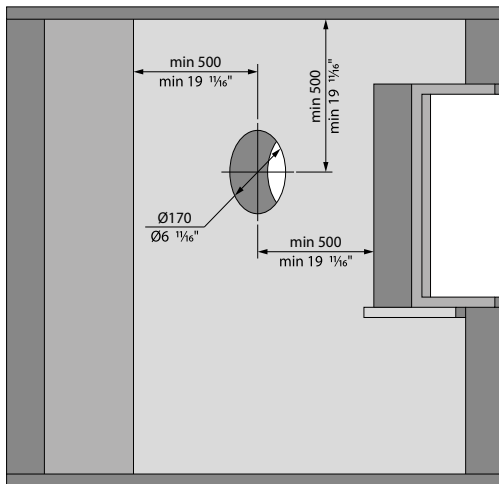
Dowel $\varnothing 6$ mm (1/4"), 40 mm (1 9/16")
4 pcs.



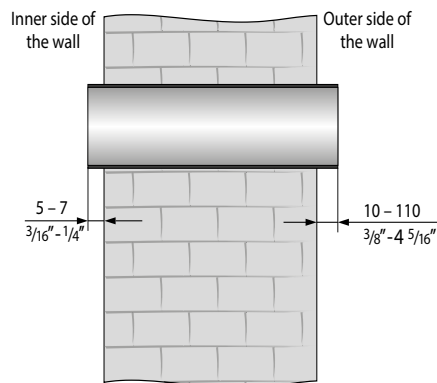
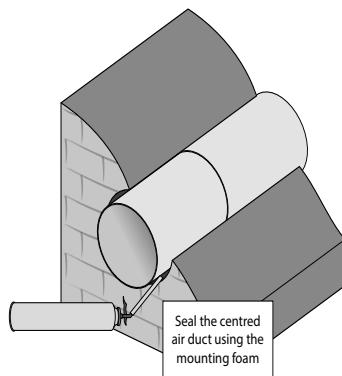
Screws $\varnothing 6$ mm (1/4"), 40 mm (1 9/16")
4 pcs.

MOUNTING

1. Prepare a round core hole in the outer wall. The hole size is shown in the figure below. While preparing a core hole it is recommended to make preparations for layout of the power cable and other required cables.

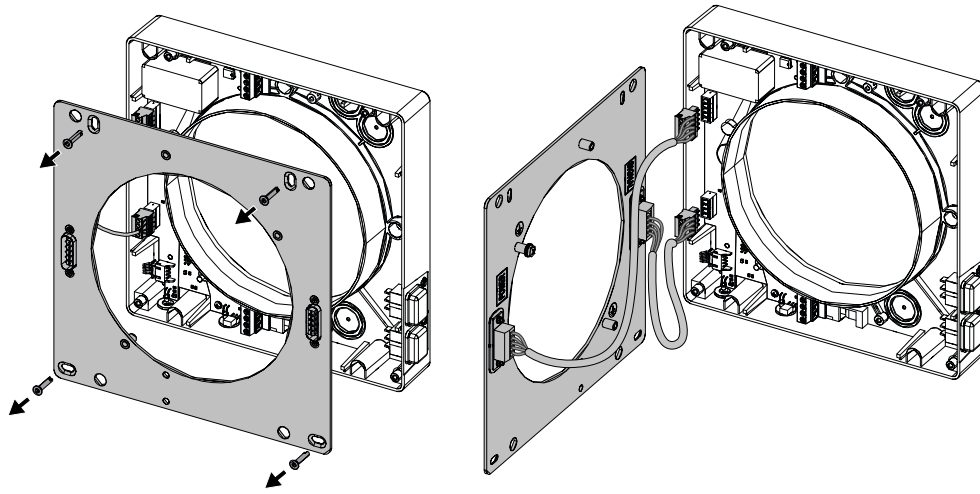


2. Install the telescopic air duct inside the wall. centre the air duct using the mounting plate and seal it with mounting foam.

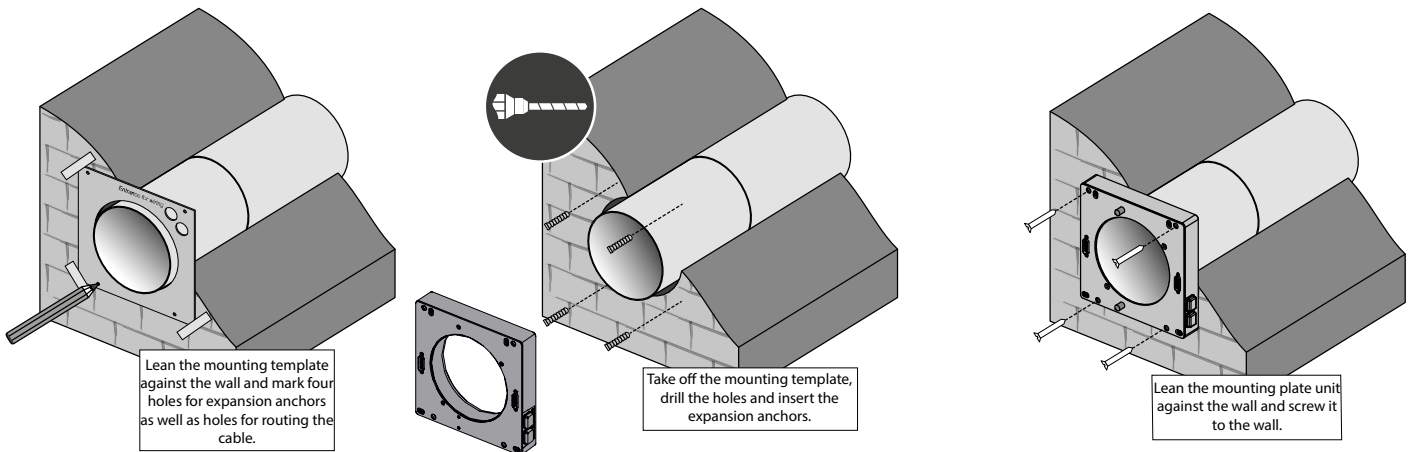


3. Remove the mounting plate to enable access to the control board and connection of the ventilator to power supply and connection of other ventilators as stated in Unit connection. To enable access to the control board in the mounting plate remove the four fixing screws.

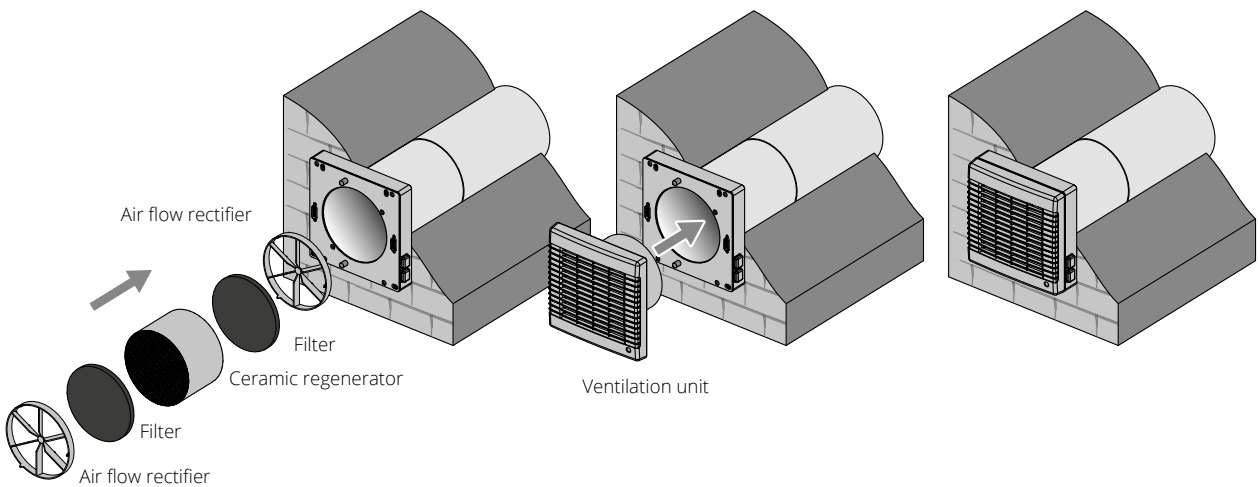
Then disconnect the mounting plate from its frame with care and push it aside to enable access to the control board. While doing that avoid abrupt movements not to damage the connecting cables between the control board and the mounting plate. Disconnect the mounting plate from the ventilation unit by disconnecting the two connectors. Re-assemble the mounting plate in the reverse order. Install the cables with care.



4. Install the mounting plate unit using the supplied mounting template and expansion anchors.



5. Install the air flow rectifier, the filter, the ceramic regenerator, one more filter and one more air flow rectifier inside the telescopic air duct.



CONNECTION TO POWER MAINS AND CONTROL

DISCONNECT THE VENTILATION FROM POWER MAINS PRIOR TO ANY ELECTRIC INSTALLATION OPERATIONS.

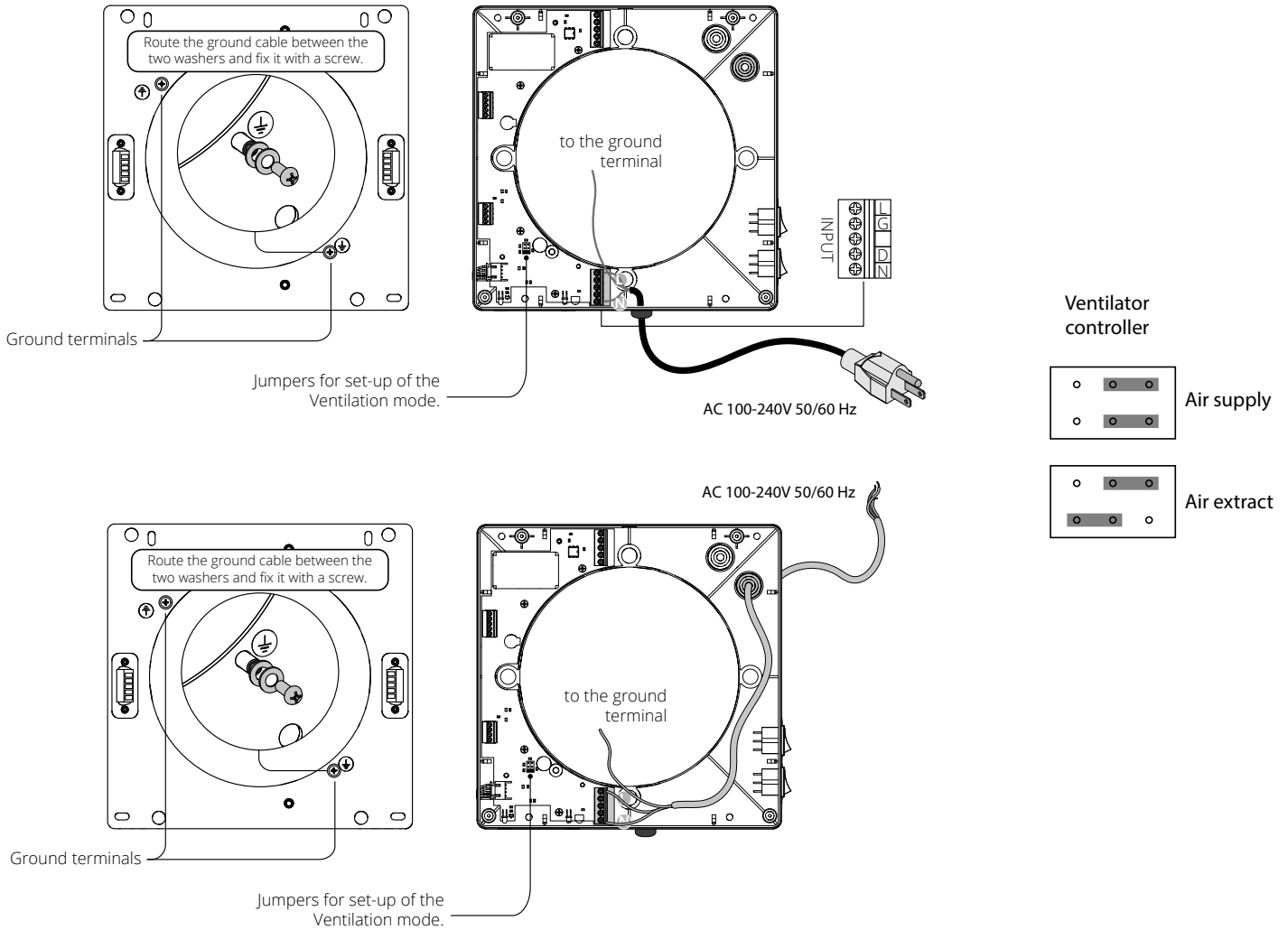
CONNECTION OF THE UNIT TO POWER IS ALLOWED BY A QUALIFIED ELECTRICIAN WITH A WORK PERMIT FOR THE ELECTRIC UNITS UP TO 1000 V AFTER CAREFUL READING OF THE PRESENT USERS MANUAL.

THE RATED ELECTRICAL PARAMETERS OF THE UNIT ARE GIVEN ON THE MANUFACTURER'S LABEL.

ANY TAMPERING WITH THE INTERNAL CONNECTIONS IS PROHIBITED AND WILL VOID THE WARRANTY

The ventilator is rated for connection to single-phase AC 1 ~ V/ 50/60 Hz .For this purpose the power cable with a plug is connected by the manufacturer.

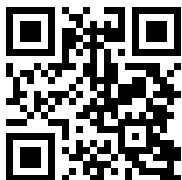
Connect the ventilator to power mains through the external automatic circuit breaker with a magnetic tri integrated into the fixed wiring system.



VENTILATION MODE SETTING

The jumper between the contacts 1 and 2 or 2 and 3 of CN7 socket connector determines air flow direction in Ventilation mode. The circuit board of the controller is located inside the ventilation unit.

- If the jumper connects the 1 and 2, air is extracted from the room in the Ventilation mode (factory setting).
- If the jumper connects 2 and 3, air is supplied in the Ventilation mode.



CONNECTION OF SEVERAL VENTILATORS IN SERIES

When the ventilators are connected in series, all the connected are controlled with the first ventilator and a remote control. To connect the ventilators in series to the wiring diagram below. Connect the second ventilator with the third ventilator in the same way, ect. Up to 10 ventilators may be connected in series.

For easy electric installations use a 3G AWG18 (3G 1,0) cable and a 2xAWG23 (2x0,25) cable (not included in the delivery set). The cable must be rated for operation in an alternating current power supply with the country-specific mains voltage.

Disconnect the power cable while connecting the second, third, etc. ventilator in series.

CONNECTION OF SEVERAL VENTILATORS IN SERIES (BACKSIDE VIEW, THE TERMINAL BLOCK IS SHOWN SCHEMATICALLY)

