

INSTALLATION GUIDE

HEAT (ENERGY) RECOVERY VENTILATOR

Frigate ERV 80	Frigate ERV 100
Frigate ERV 120	Frigate ERV 150
Frigate ERV 80 R	Frigate ERV 100 R
Frigate ERV 120 R	Frigate ERV 150 R
Frigate ERV 80 EC	Frigate ERV 100 EC
Frigate ERV 120 EC	Frigate ERV 150 EC
Frigate ERV 80 R EC	Frigate ERV 100 R EC
Frigate ERV 120 R EC	Frigate ERV 150 R EC



INSTALLATION

Tools required



Pencil



Drill



Screwdriver



Dowel



Screws

MOUNTING

While mounting the unit provide enough access for maintenance or repair work.

The minimum recommended clearances between the unit and the adjoining walls are given in the figure below.

When selecting a mounting location of the unit provide free opening of the service panel.

To attain the best performance of the unit and to minimise turbulence-induced air pressure losses connect the straight air duct section to the spigots on both sides of the unit while mounting.

Minimum straight air duct length:

- equal to 1 air duct diameter on intake side
- equal to 3 air duct diameters on outlet side

Mount the unit to ceiling by means of the belts that are rigidly fixed to horizontal plane or with threaded rods fixed inside the dowels attached to the ceiling. The unit may be mounted to the wall with a suspension bracket that is fixed to the unit with three screws and dowels.

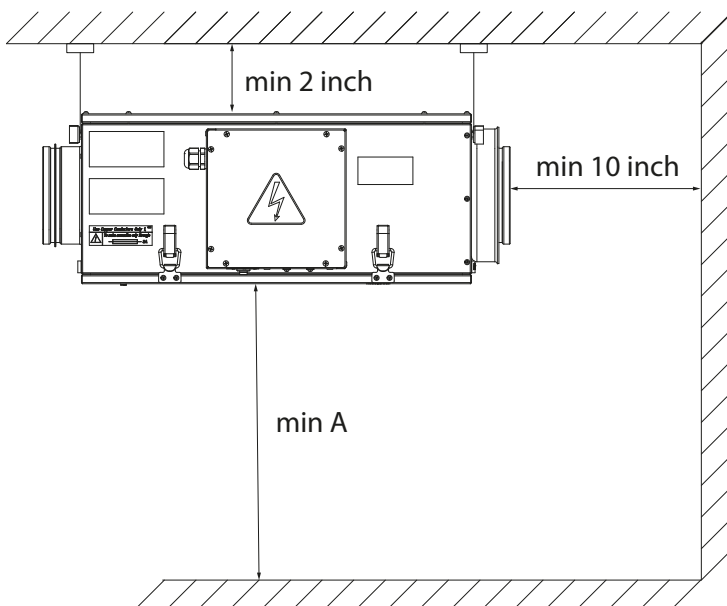
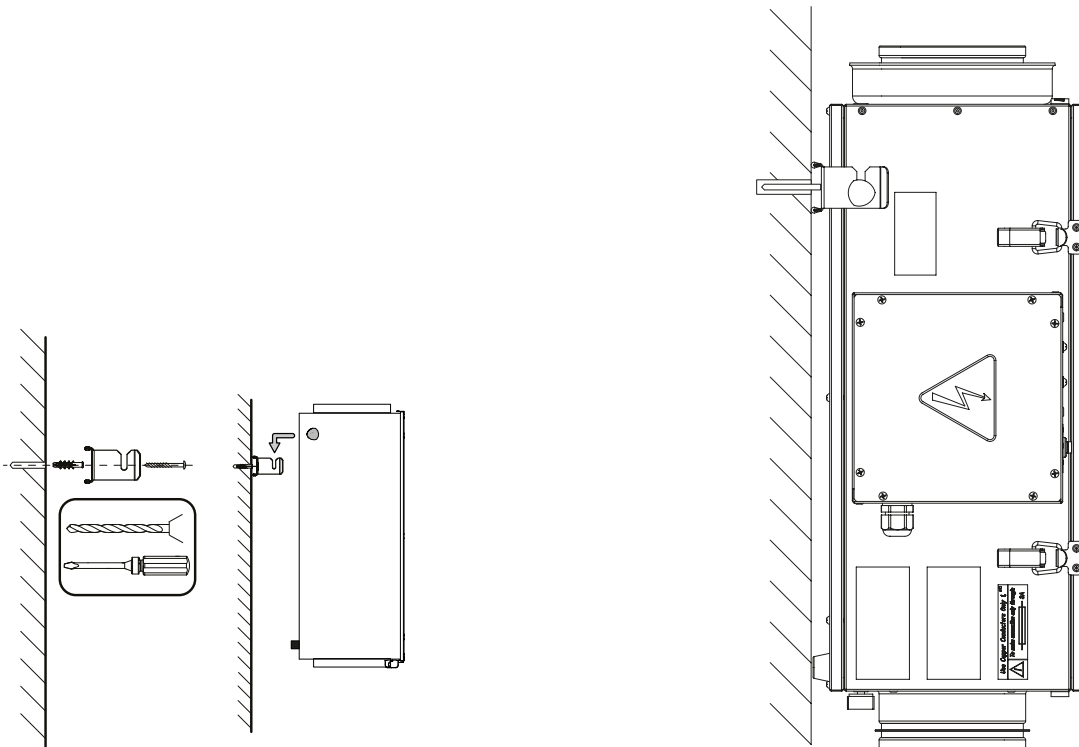


Fig. 3. Ceiling unit mounting example

MODEL	SIZE, A
FRIGATE HRV/ERV 80 (R) (EC)	21"
FRIGATE HRV/ERV 100/150 (R) (EC)	25"
FRIGATE HRV/ERV 120 (R) (EC)	24"



Wall unit mounting



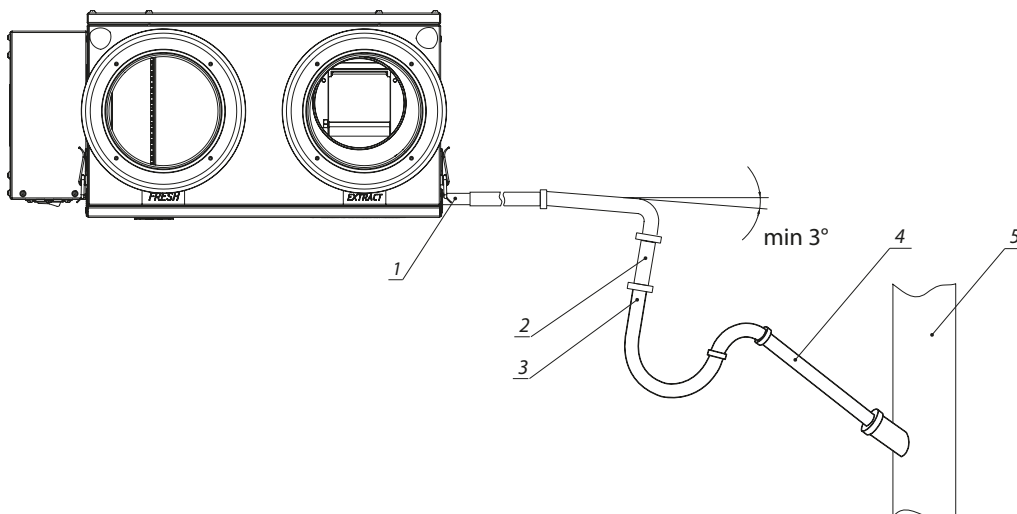
Mark holes on the wall. Drill the holes and insert the expansion anchors.
Install the mounting bracket. Install the unit on the mounting bracket.

Tighten the triangular fixing screws on the mounting bracket.

**Attach the wall mounting bracket to the wall considering the wall material and the unit weight!
Belts, threaded rods and expansion anchors are not included in the delivery package !**

The Vents Frigate HRV unit is equipped with a condensate drain hose for condensate drainage.

Connect the drain hose (1), U-trap (3) and drain system (5) with metal, plastic or rubber pipes (2 and 4). The pipes must be sloped down at least by 3°. Before starting operation of the unit fill the system with water and check that U-trap is always filled with water. Make sure that the water drainage is correct, otherwise some condensate may be accumulated inside the unit and provoke subsequent equipment damage and water ingress to the room. The condensate drainage system is designed for operation at the ambient temperature above 32 °F. If the ambient temperature is below 32 °F, insulate the drain system and provide air heating.



Connection of the fan and standard wall socket

