

DESCRIPTION

VENTS' ERV 120 are the complete whole house ventilation system designed to bring a continuous supply of fresh air into the house while exhausting an equal amount of stale air. Five year warranty.

CASING

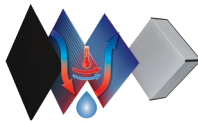
- Steel casing is covered with high-quality multilayer aluminium and zinc alloy to prevent corrosion.
- The casing is equipped with a switch to turn the ventilator off when the service panel is opened.

AIR FILTRATION

- Washable MERV 6 air filters in exhaust and supply air streams.
- Optional supply: anti grease aluminum filter.

ENERGY RECOVERY CORE

Enthalpic core provides both heat&humidity recovery. For enthalpic core no drain required.



FANS

The unit is equipped with supply and exhaust centrifugal fans with forward curved blades and build-in thermal overheating protection with automatic restart. The electric motors and impellers are dynamically balanced.

DEFROST SYSTEM

To protect the Energy Recovery Core, an antifreeze electronic protection system is applied. It switches the supply fan off according to the temperature sensor settings. Warm extract air defrosts the ERV core then the supply fan switches on and the ventilator continues operating under rated conditions.

CONSTANT FLOW

Frigate ERV 120 CF has an automatic constant air flow control function to keep the air flow in supply and exhaust air ducts constant even



in case of variable air resistance. This function is provided with the integrated air flow control units. The electronic sensors convert the actual air flow to the analogue signal that is proportional to the air flow in the air duct. These signals are transmitted to the controller that controls the rotation speed of a respective fan in such a way that the actual rotations speed is equal to the set value.

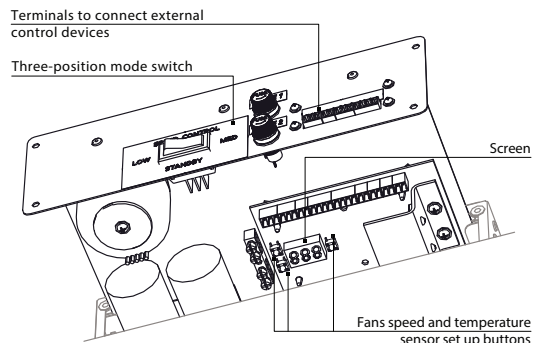
MANUAL BALANCING

Manual balancing is a standard balancing system. Fan speed manually adjusted by operating on units controller (Built-in control panel with independent fan speed adjustment 0%-100%).

CONTROL BOARD

The unit incorporates an integrated control system with following functions:

- Operation mode switch.
- Airflow balancing enabled by supply and exhaust fan independent speed adjustment from 0 to 100% (percentage is displayed on built in screen).
- Automatic recovery core frost protection.
- External control device connection (up to 5 at the same time).

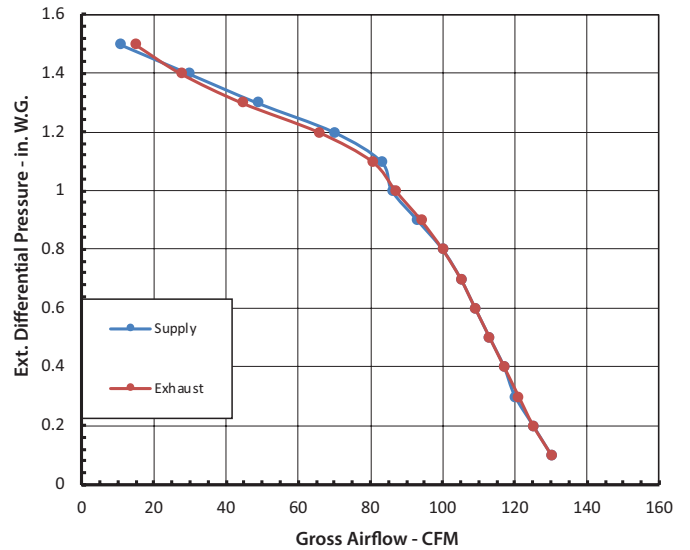


SUITABLE FOR:

Bathroom / kitchen / apartments / cottages / small offices.

PERFORMANCE

EXTERNAL STATIC PRESSURE		NET SUPPLY AIR FLOW		GROSS AIR FLOW				POWER
				SUPPLY		EXHAUST		
Pa	in. W.G.	L/s	CFM	L/s	CFM	L/s	CFM	Watts
25	0,1	60	127	61	130	61	130	139
50	0,2	58	122	59	125	59	125	135
75	0,3	56	118	57	120	57	121	135
100	0,4	54	114	55	117	55	117	132
125	0,5	52	111	53	113	53	113	129
150	0,6	50	107	52	109	51	109	128
175	0,7	48	103	49	105	49	105	124
200	0,8	46	98	47	100	47	100	121
225	0,9	43	91	44	93	44	94	118
250	1	40	84	40	86	41	87	114
275	1,1	39	83	39	83	38	81	140
300	1,2	32	67	33	70	31	66	135
325	1,3	22	47	23	49	21	44	130
350	1,4	13	28	14	30	13	28	127
375	1,5	7	14	5	11	7	15	126


SOUND

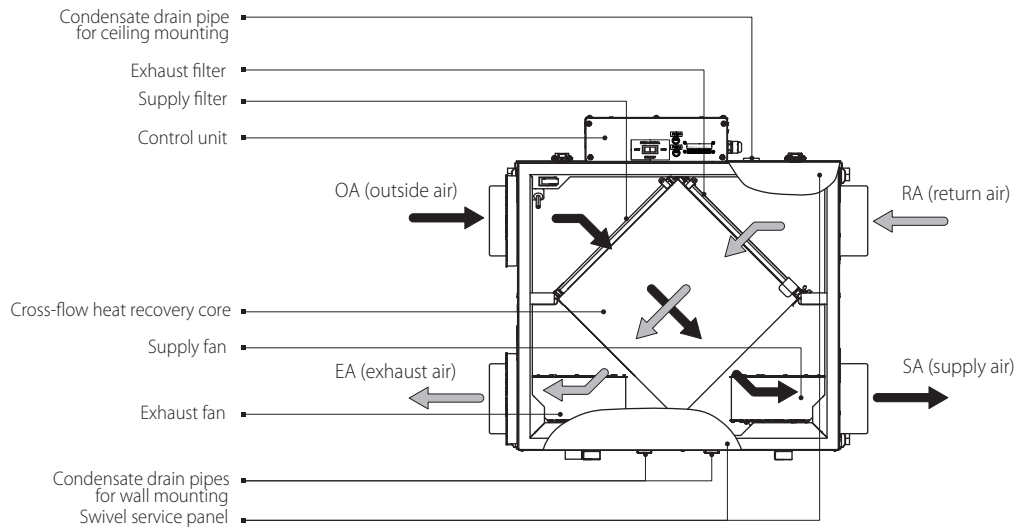
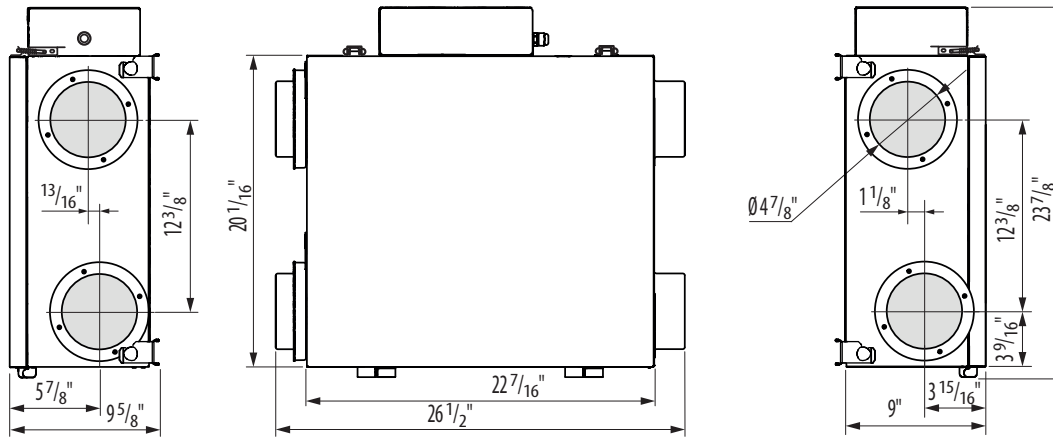
15 Sones (30 L/s @ 0.2 in. W.G.)

		Supply Temperature		Net Airflow		Average Power	Sensible Recovery Efficiency	Apparent Sensible Effectiveness	Net Moisture Transfer
		°C	°F	L/s	cfm	(Watts)	SRE (%)	ASEF (%)	
HEATING	I	0	32	24	51	64	67	79	0,64
	II	0	32	30	64	78	65	77	0,60
	III	0	32	47	100	116	60	70	0,55
	IV								
	V								
COOLING	VI	35	95	24	51	64	45	65	0,50

** Indicates total recovery efficiency, not sensible recovery efficiency

MODEL	QUANTITY	COMMENTS	PROJECT
			location:
			architect:
			engineer:
			contractor:
			submitted by:

 Tel: 888-640-0925 Sales@ventsus.com
 513-348-3853 VentsUS.com
 Fax: 513-268-4597 11013 Kenwood Road,
 Cincinnati, Ohio 45242


DIMENSIONS


MODEL	QUANTITY	COMMENTS	PROJECT
			location:
			architect:
			engineer:
			contractor:
			submitted by:

Tel: 888-640-0925 Sales@ventsus.com
 513-348-3853 VentsUS.com
 Fax: 513-268-4597 11013 Kenwood Road,
 Cincinnati, Ohio 45242

