

# PATIO HEATER TECH SPECS

All 4000-CB models have 31" diameter one piece reflector

## PORTABLE SERIES 4000-CB

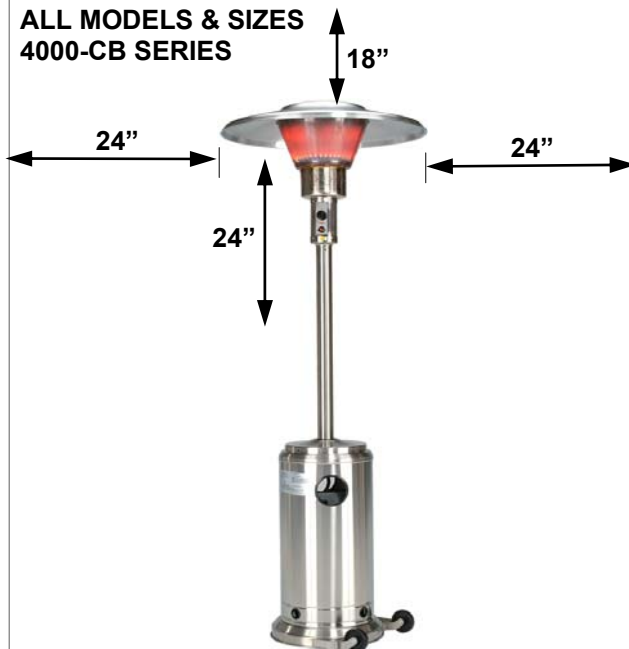
MODEL NO.	BTU/Hr	GAS	PUSH BUTTON IGNITION	FINISH	DIMENSION H x W	WHEELS	CYLINDER	WEIGHT IN LBS.
4005-CB	38,000	LP	BATTERY SPARK	STAINLESS STEEL	90" x 32 1/4"	YES	30 OR 20 lb. cyl.	37

## POST MOUNT SERIES 4SN5/L-CB

MODEL NO.	BTU/Hr	GAS	PUSH BUTTON IGNITION	FINISH	DIMENSION HEIGHT x WIDTH	GAS PRESURE		GAS INLET	MOUNTING	WEIGHT IN LBS.
						MANIFOLD	MAX. INLET			
4SN5-CB	38,000	NAT	BATTERY SPARK	STAINLESS STEEL	90 1/2" x 32"	5" W.C.	14" W.C.	1/2"	FLOOR/DECK	50

### MINIMUM CLEARANCES TO COMBUSTIBLES:

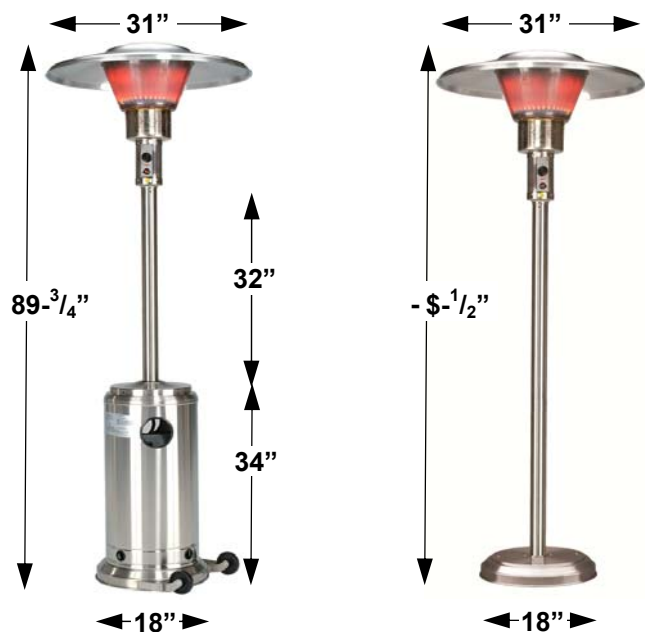
ALL MODELS & SIZES  
4000-CB SERIES



### MODEL DIMENSIONS

PORTABLE: 4005-CB

FIXED MOUNT: 4SN5-CB



4002/5-CB SHIPPING: DISPLAY CARTON = 18" x 18" x 35" + REFLECTOR CARTON  
4N/L5/6 POST SERIES SHIPS IN THREE CARTONS: BURNER & BASE, POST, REFLECTOR